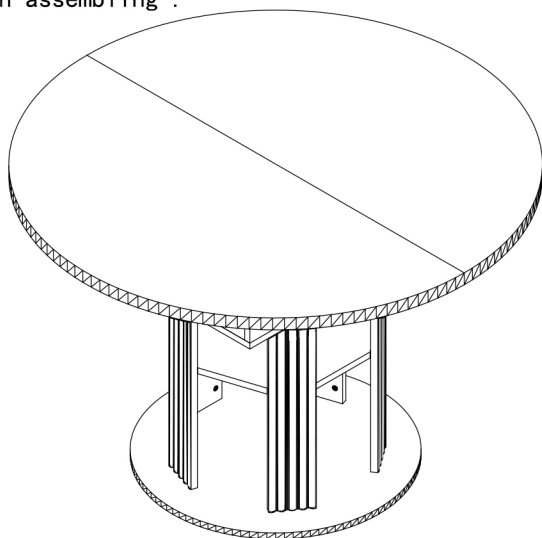
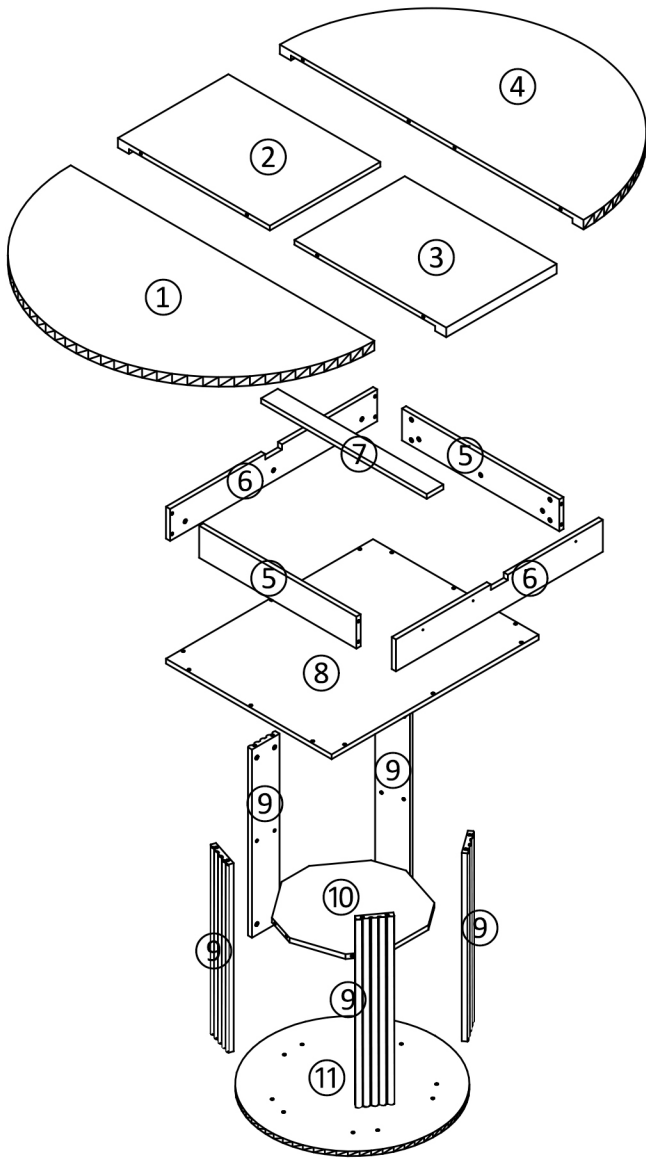


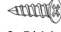








ASSEMBLY INSTRUCTION

- Read the assembly instructions carefully before beginning assembly.
- Ensure the safety of the glass during assembly.
- Do not over tighten the screws and bolts as this may damage the threads.
- Insert the screw into the hole as shown in the figure, follow the arrow in the picture, and then rotate 90° or 180° clockwise.
- Keep the small accessories in the accessory bag away from children.
- The remaining parts are spare parts.
- Kind tips: when installing the white backboard, install the white side inward.
- The operating instruction of RGB light is included in the package. Read it carefully when assembling .



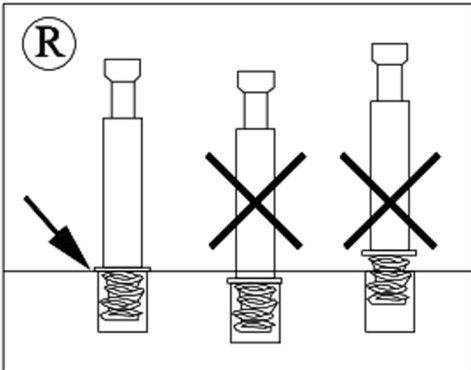
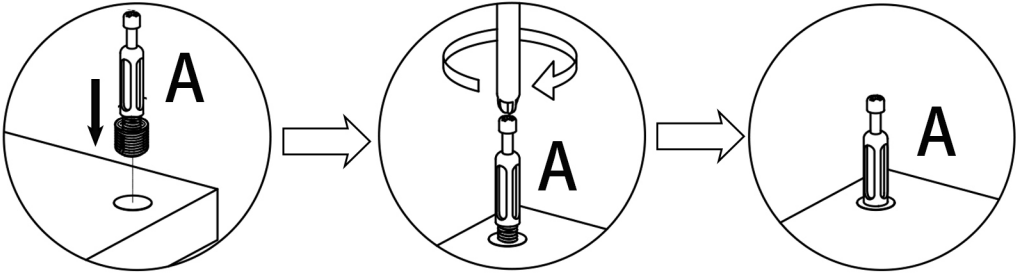


A	B	C	KE	I	AG	AM	BQ	BR	
 50pcs	 50pcs	 3.5*14 48pcs	 2pcs	 2pcs	 1pcs	 Decorative paper 20pcs	 8pcs	 4pcs	



Hardware installation demonstration

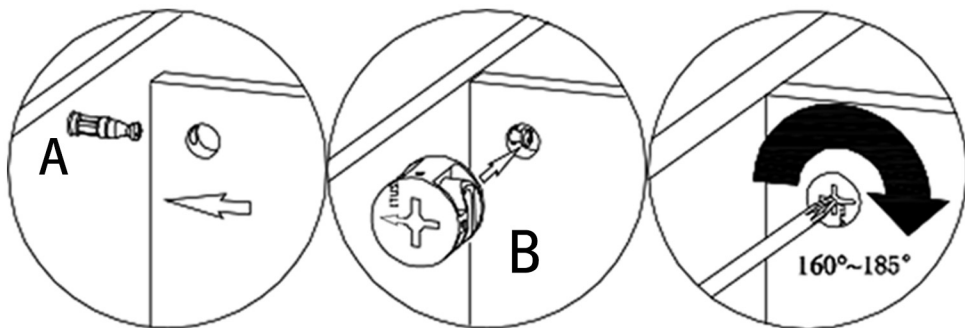
● Please make sure "A" hardware tightened and can't be pulled out





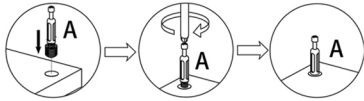
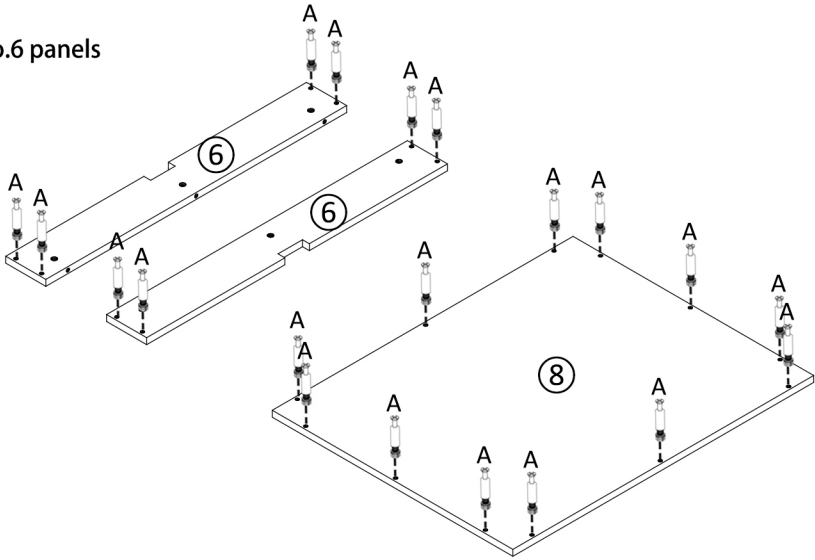
Hardware installation demonstration

- When inserting cam ensure arrowhead on cam points toward the hole on the panel edge

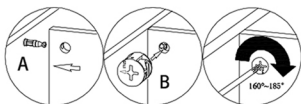
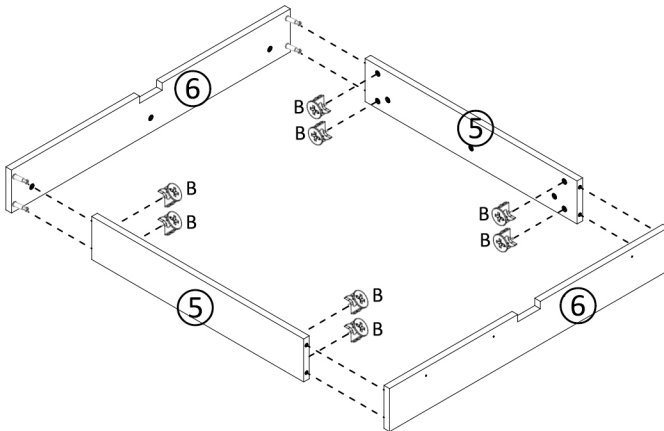


STEP 1

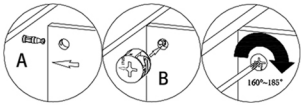
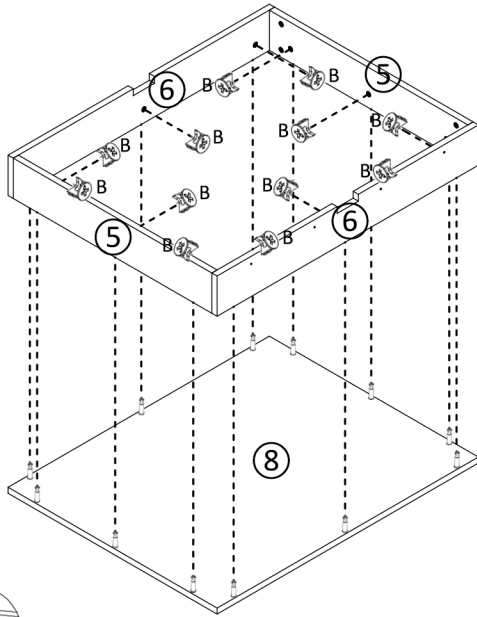
Two No.6 panels



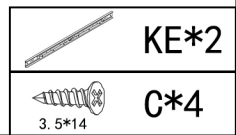
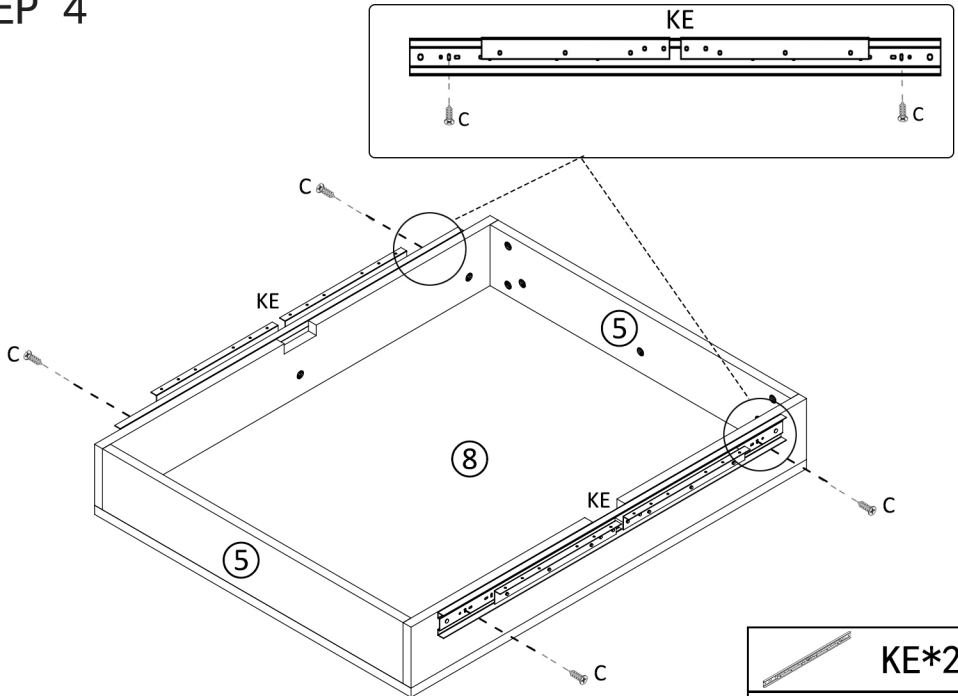
STEP 2



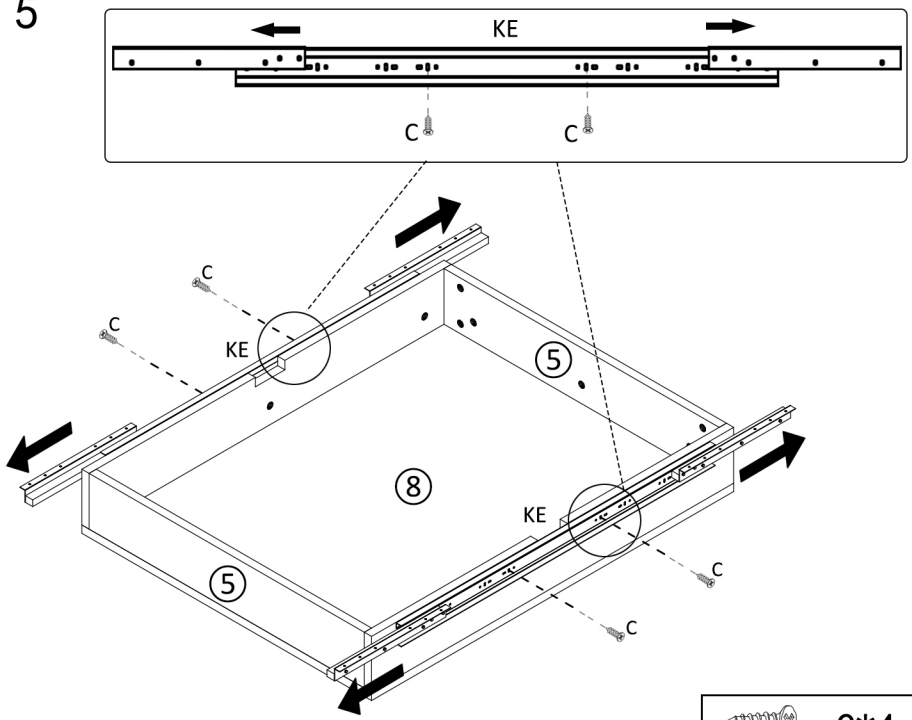
STEP 3



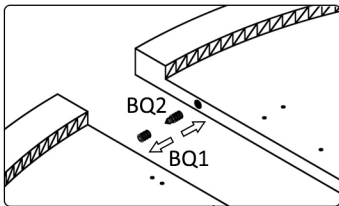
STEP 4



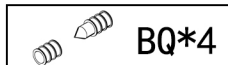
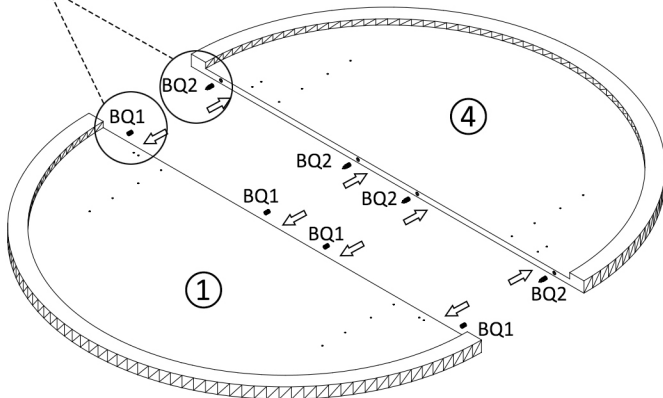
STEP 5



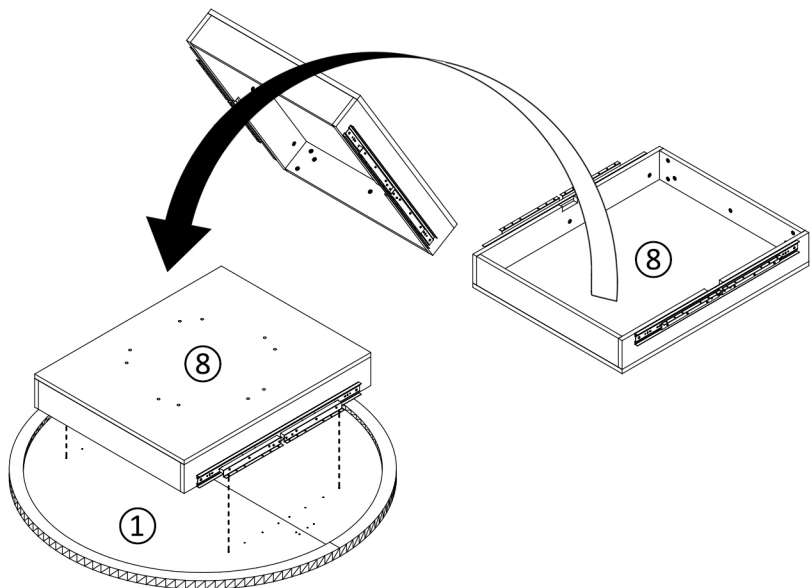
STEP 6



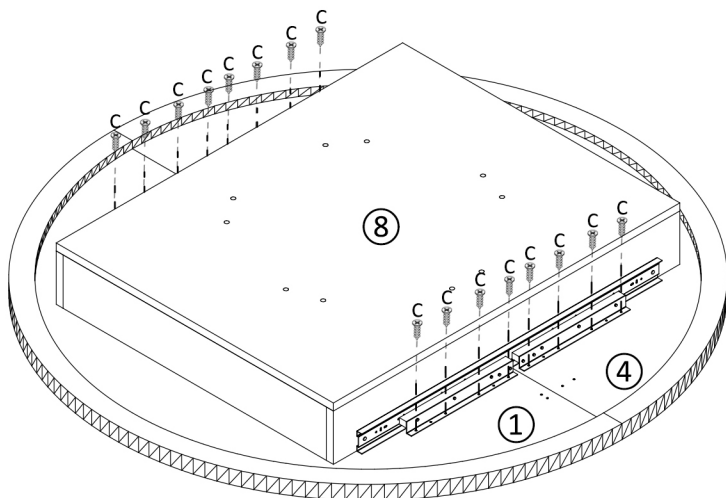
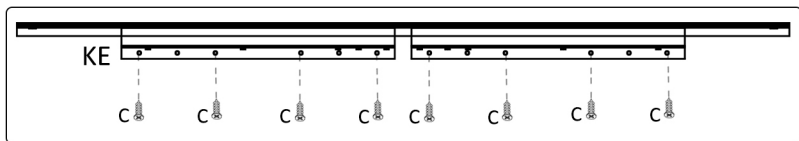
Fit the hardware into the hole by pressing firmly



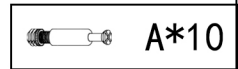
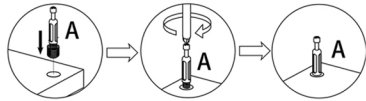
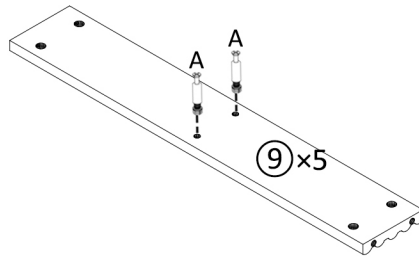
STEP 7



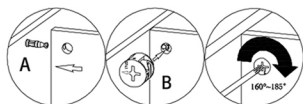
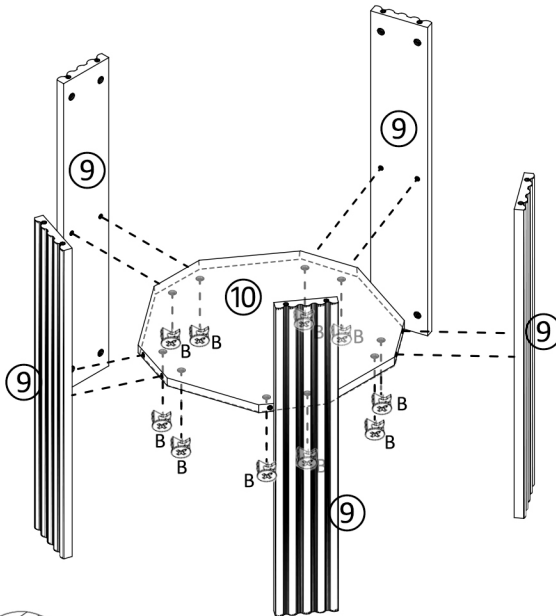
STEP 8



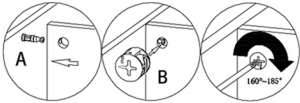
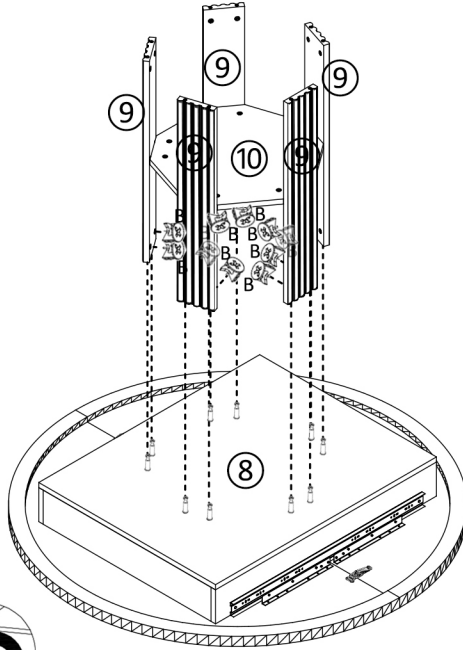
STEP 11



STEP 12

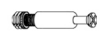
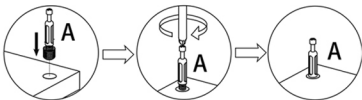
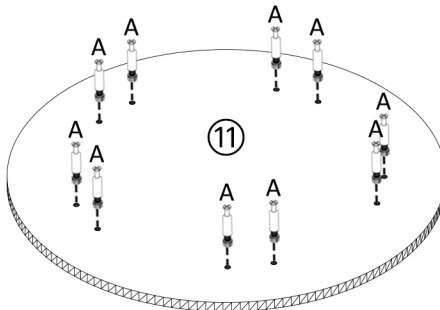


STEP 13



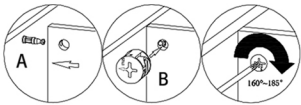
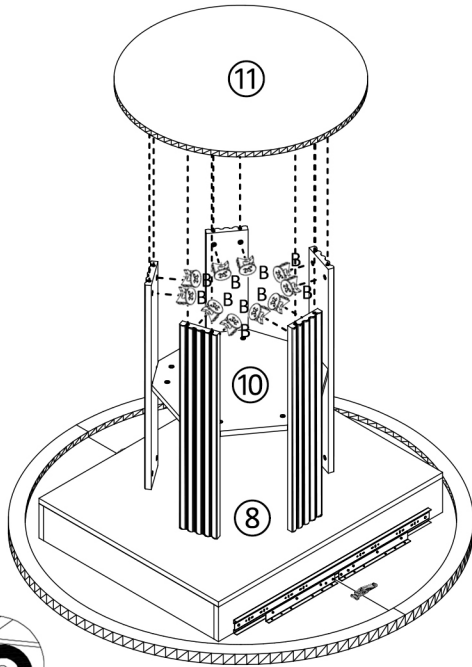
B*10

STEP 14

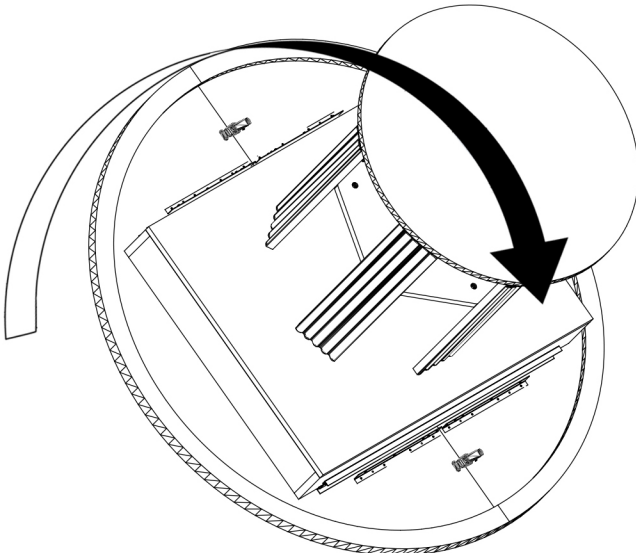
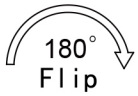


A*10

STEP 15

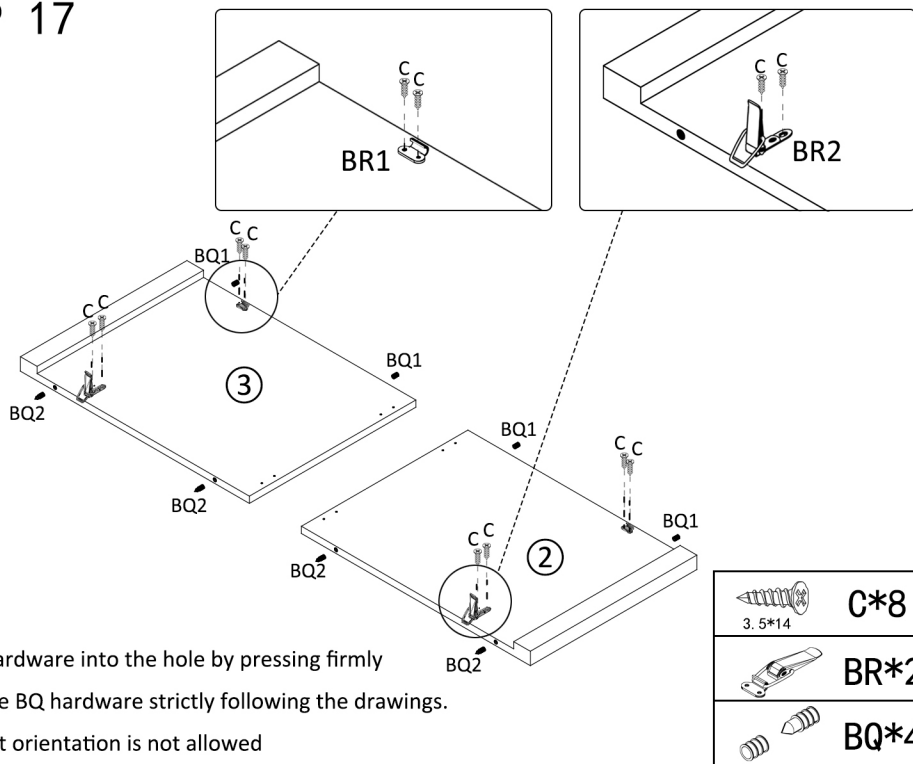


STEP 16



This step requires two people to perform together.

STEP 17

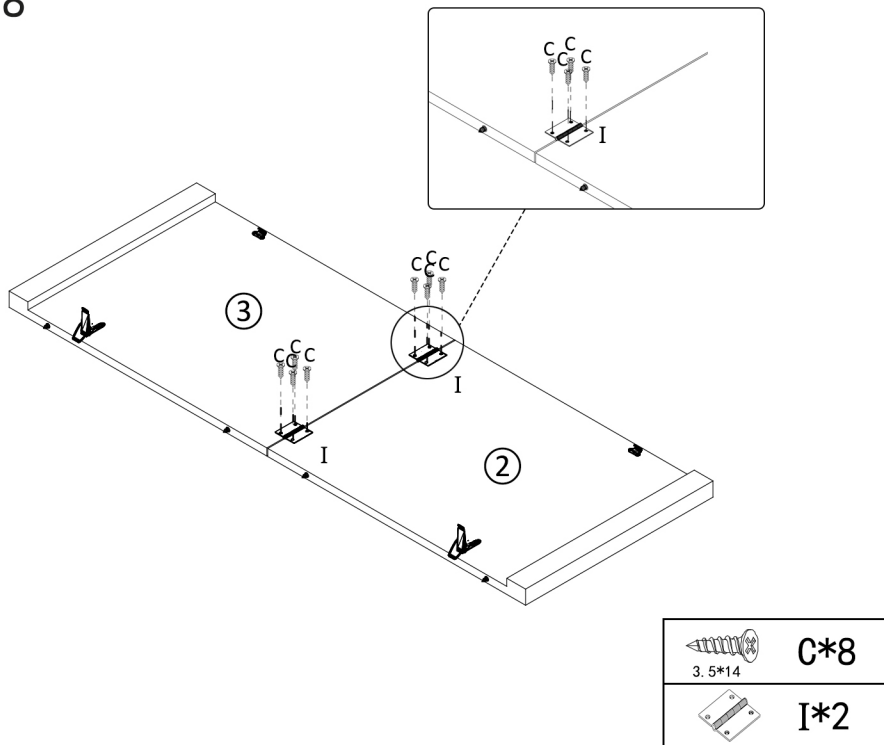


Fit the hardware into the hole by pressing firmly

Install the BQ hardware strictly following the drawings.

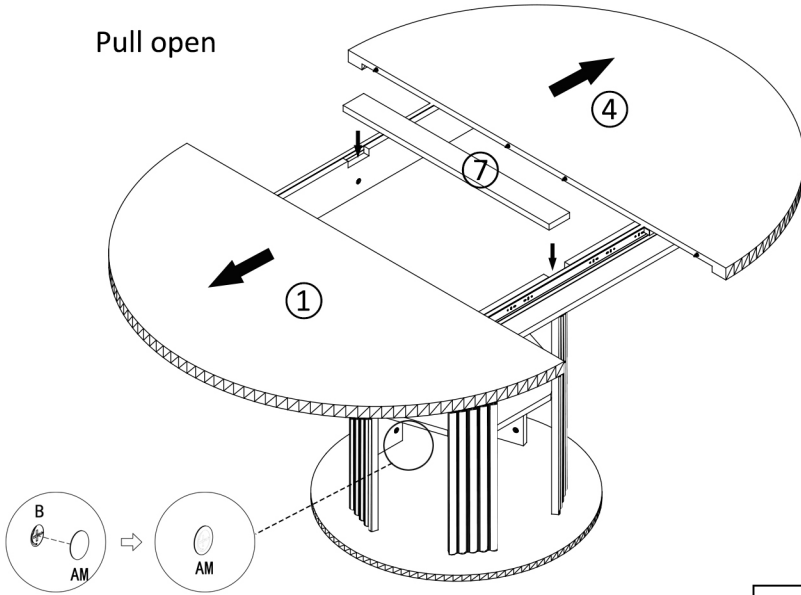
Incorrect orientation is not allowed

STEP 18



STEP 19

Pull open

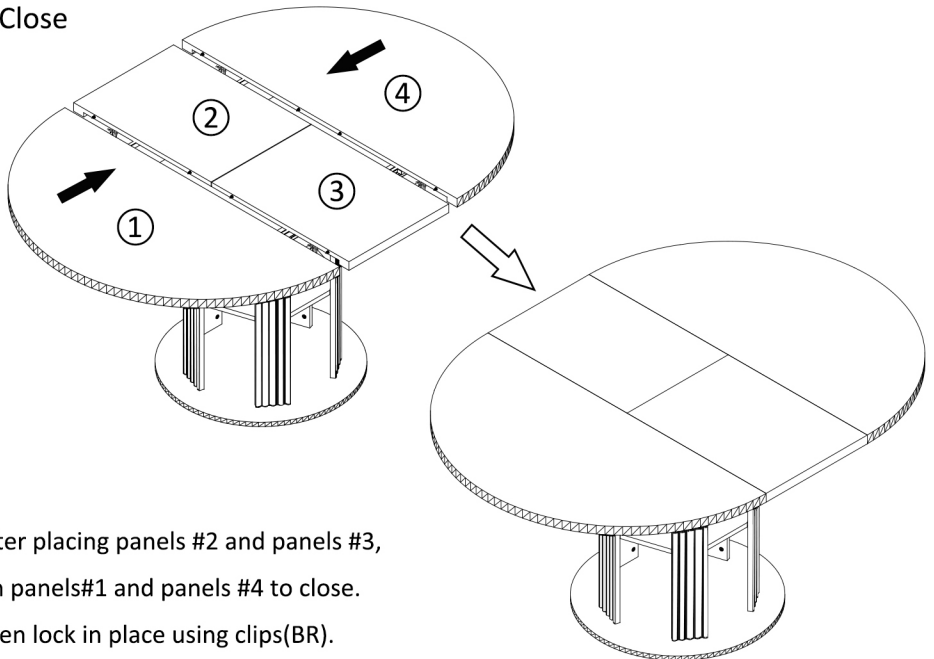


Please stick the decorative paper on the hole



STEP 20

Close



1. After placing panels #2 and panels #3, push panels #1 and panels #4 to close.
2. Then lock in place using clips (BR).

STEP 21

