

Assembly Instructions

Are you happy with your purchase?

Yes: That's great, we would love to hear more from you. Please leave us a review on our social media channels or Trustpilot. Your feedback will be greatly appreciated.

No: If for any reason there is something missing, indifferent or incorrect with your order, please contact the retailer you purchased the item from. We will work with the retailer to resolve your issue as quickly as possible.

150CM BED

Assembly Instructions

Before you begin...

1. Please check in your desired room of use.
2. Unpack all boxes and lay out each component on the floor.
3. Check your product for any damage that may be immediately obvious. If damage is identified, please contact your retailer.
4. Please read through these instructions thoroughly to ensure you have constructed your bed correctly.

For Care and Maintenance of your bed...

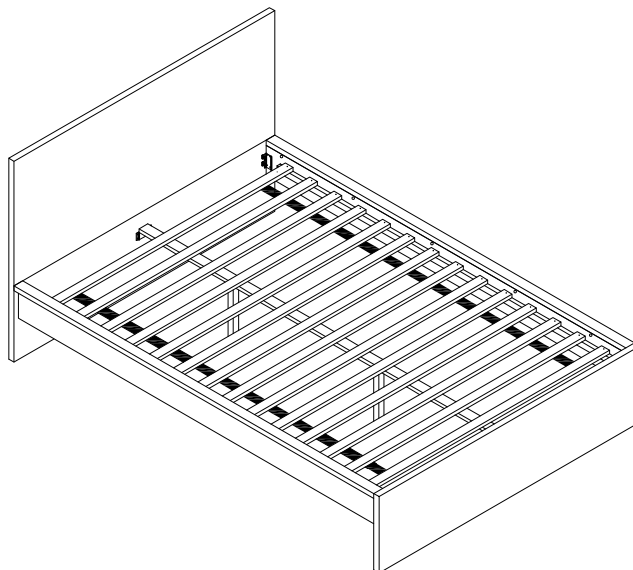
- Always assemble in your desired room of use.
- Always check all screw and fixings periodically to ensure they are still secure.
- Do not push or pull this bed as it will cause damage.
- Always lift this bed with a second person to prevent damage or injury.
- Keep any sharp objects away from this bed frame.

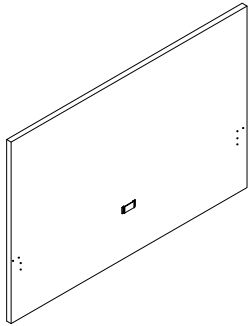
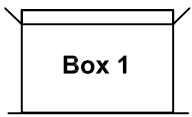
For your Health and Safety...

- Please don't not jump on this bed.
- Do not use this bed if you find missing, damaged or worn parts. Please contact your retailer.
- Please do not use this bed until you have fully secure all fixings.
- Please keep all small components away from children.
- Please ensure this bed is on an even, level surface.

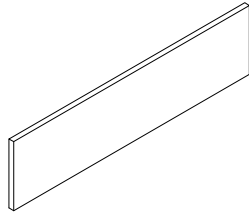
Also...

If your desired room of choice has a non-carpeted surface ensure please that you use some form of protection and **do not** place directly on the wooden floor. This will prevent the bed from moving and therefore collapsing which will void your guarantee...

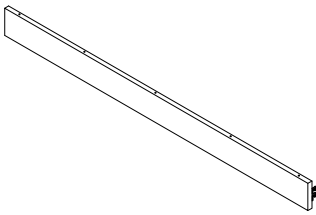
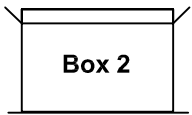




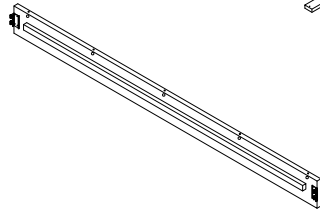
1.Headboard (x1)



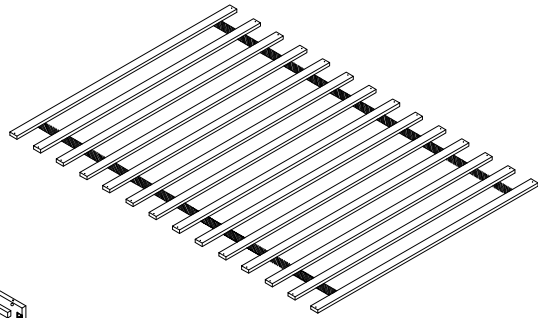
2.Footboard (x1)



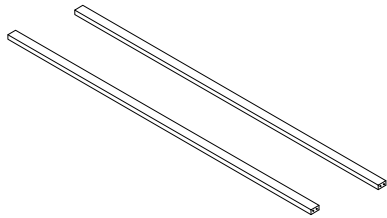
3.Siderail Left (x1)



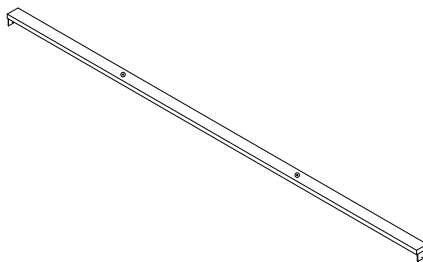
4.Siderail Right (x1)



5.Roller Slats (x14)



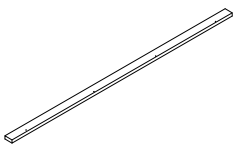
6.Siderail Support (x2)



7.Centre Rail (x1)



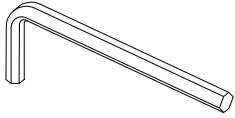
8.Support Legs (x2)



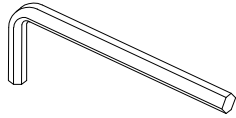
9.Footboard Slat (x1)

Hardware

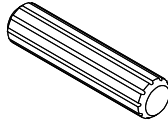
All fittings are stored within Box 2



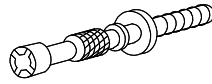
A. M4 Allen Key (x1)



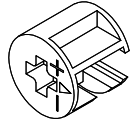
B. M5 Allen Key (x1)



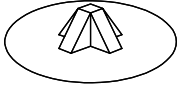
C. Dowel (x8)



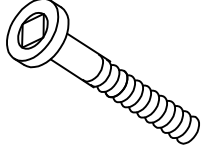
D. Minifix Bolt (x10)



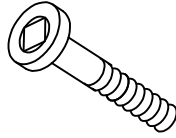
E. Minifix Housing (x10)



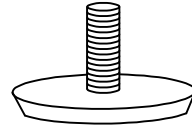
F. Minifix Cap (x10)



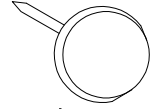
G. JCBB M8 X 20 (x8)



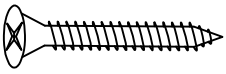
H. JCBC M6 X 40 (x2)



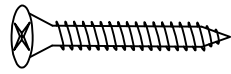
I. Adjuster (x2)



J. White Nail (x6)



K. CSK M4 x 25mm (x2)

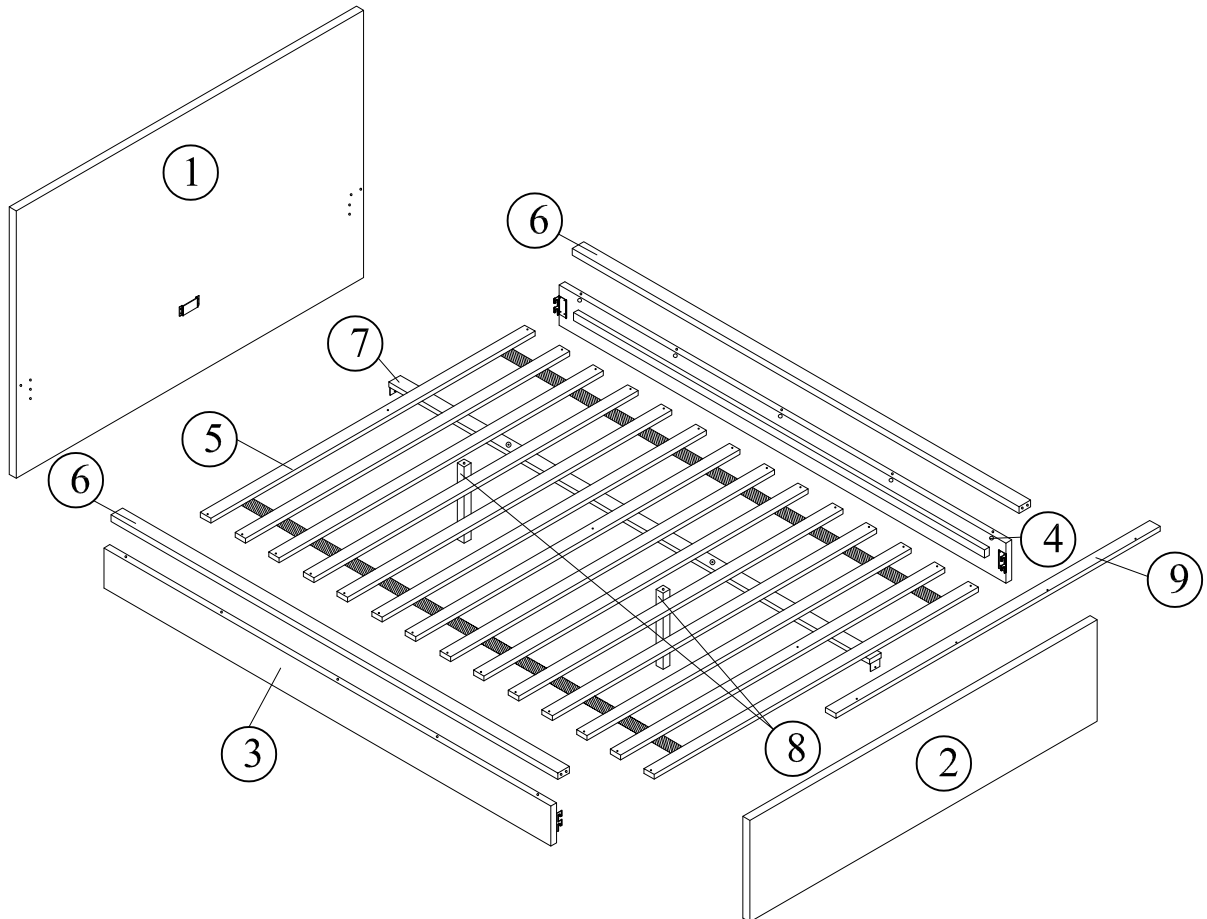


L. CSK M4 x 32mm (x35)

***You will need a screwdriver (not provided)**

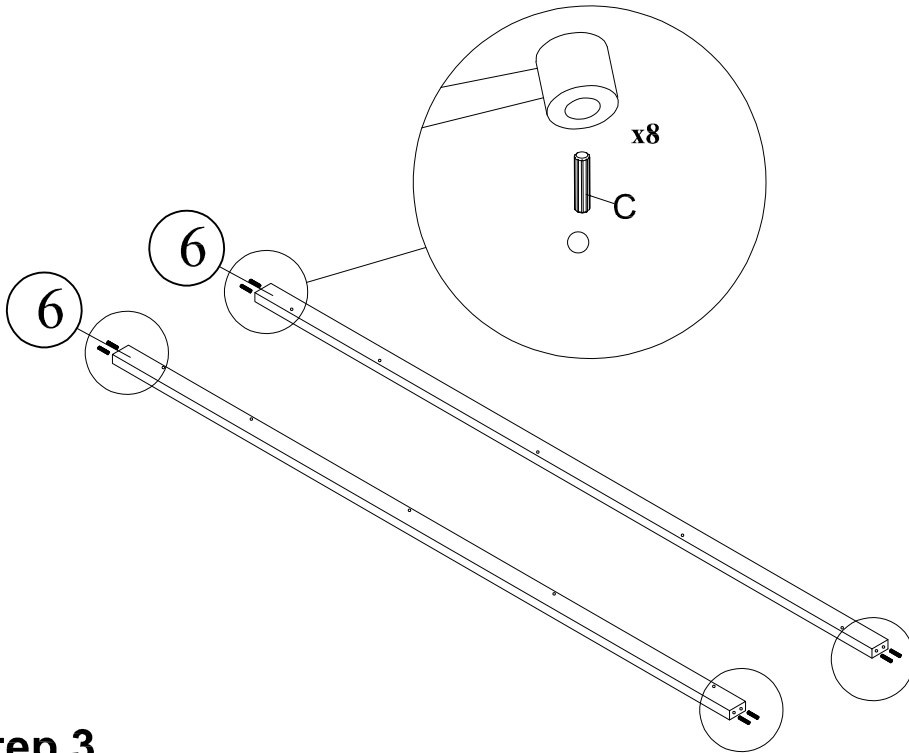
Step 1

Unpack all components from the boxes and check you are not missing anything. Please check these against the list on page 3 & 4. Should you identify any missing components, please contact the retailer you purchased the bed from.



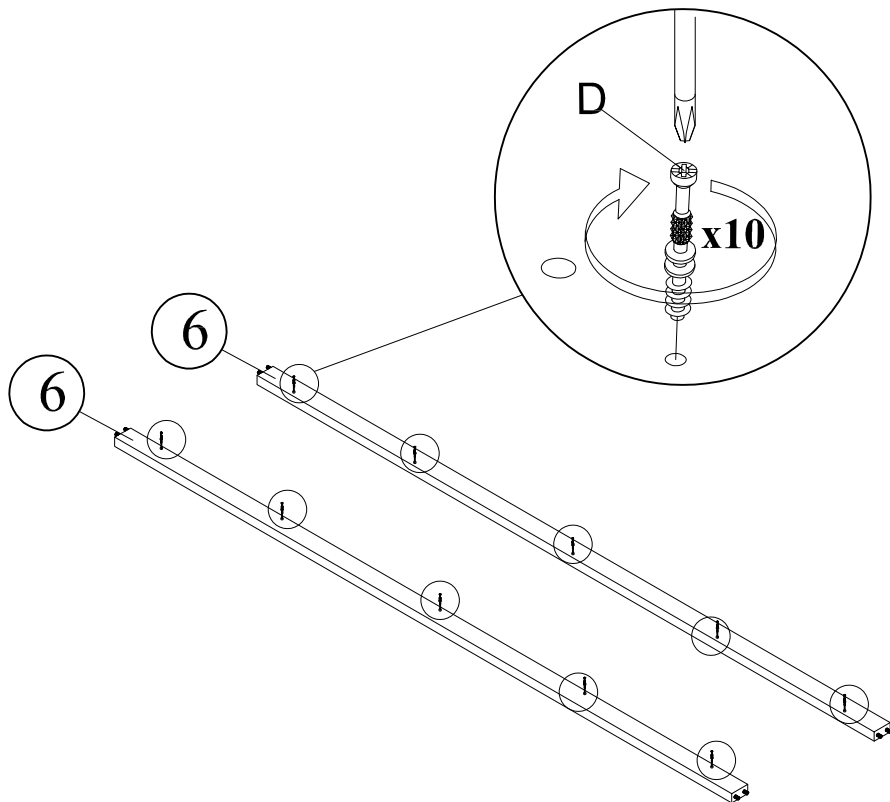
Step 2

Attach the 8x Plastic Dowel (C) to the all parts as shown.



Step 3

Attach the 10x Minifix Bolt (D) to the all parts as shown.

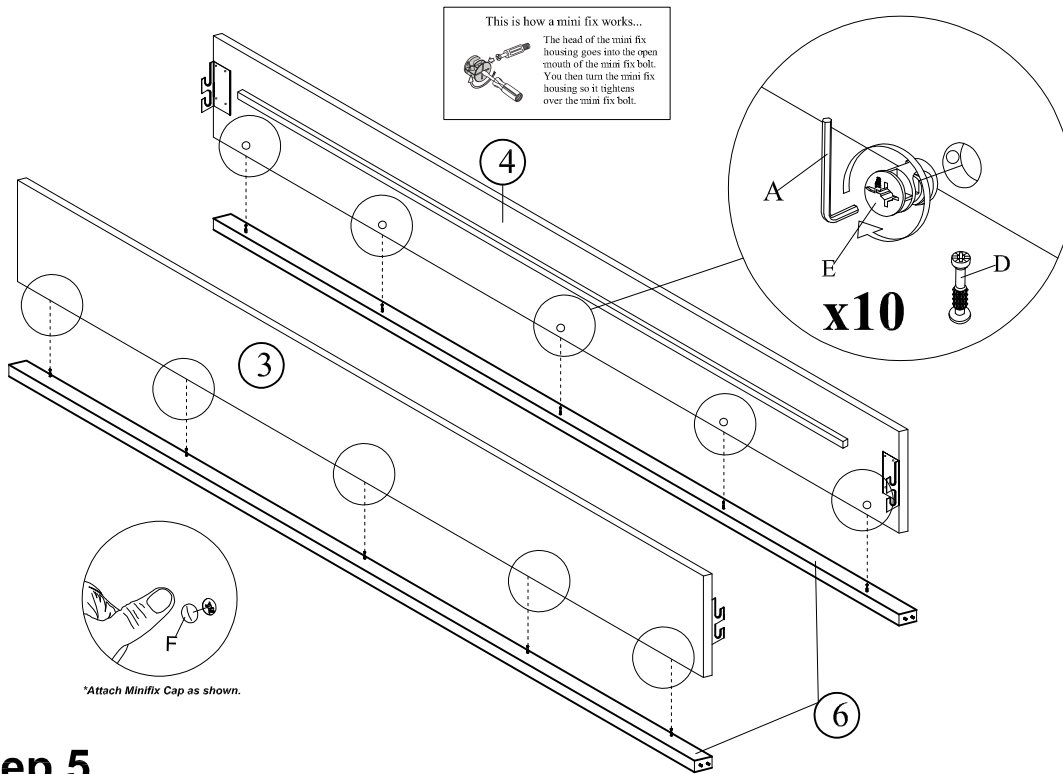


DO NOT use any power tools as this may damage the frame and will invalidate any claim.

Step 4

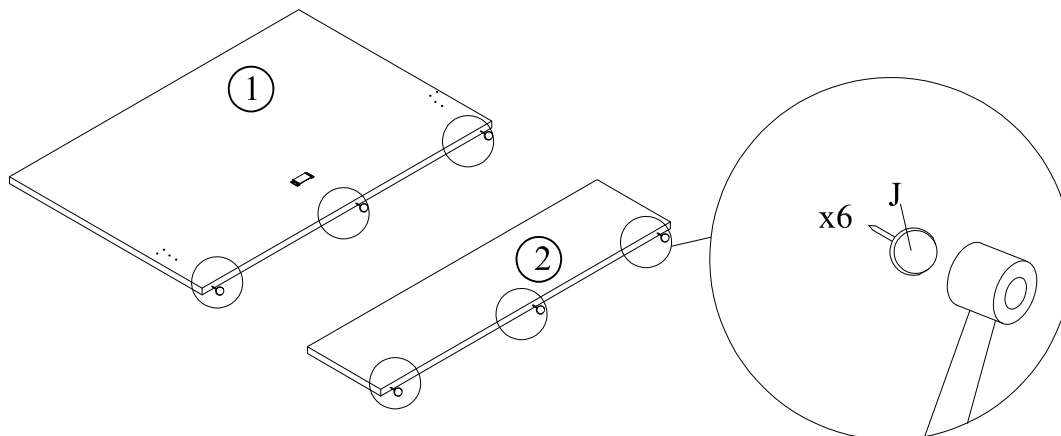
Attach the 1x Side Rail Left (3), 1x Side Rail Right (4) to 2x Side Rail Support (6) using 10x Minifix Bolt (D) and 10x Minifix Housing (E) and 10x Minifix Cap (F). Turn the 10x Minifix Housing (E) to tighten using the 1x Allen Key (A) or screwdriver (not provided).

Cover the 10x Minifix Housing (E) using the 10x Minifix Cap (F) by pressing it into the Minifix House.



Step 5

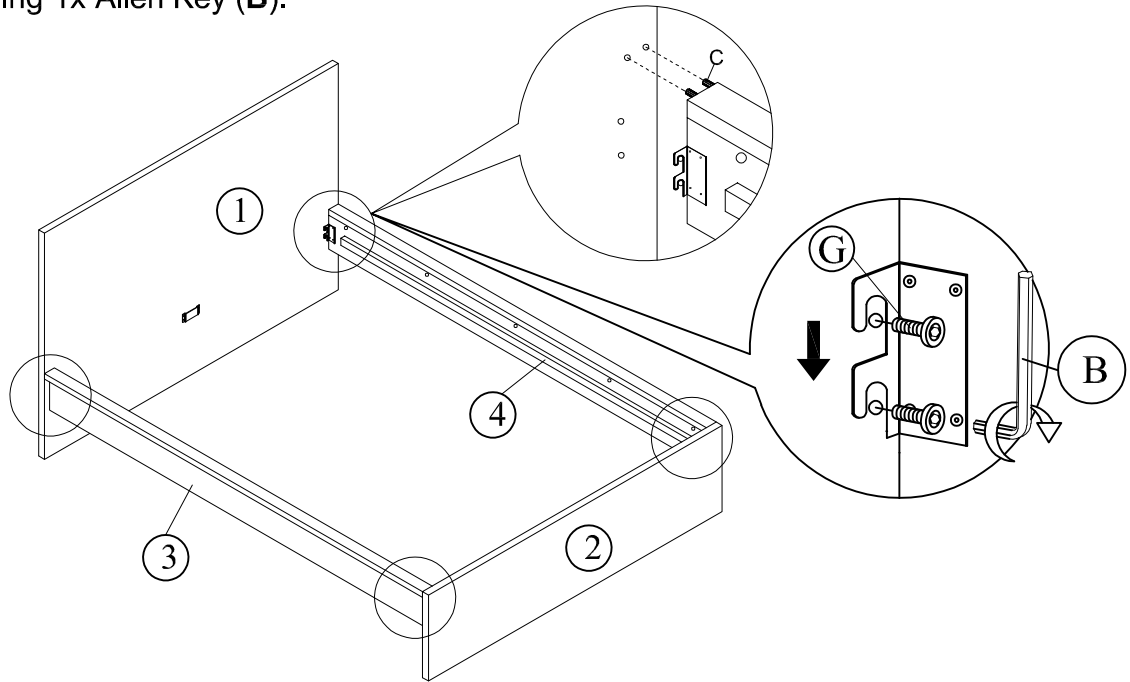
Attach the 4x White Nail Leg (J) to 1x Headboard (1) and 1x Footboard (2) using Hammer



DO NOT use any power tools as this may damage the frame and will invalidate any claim.

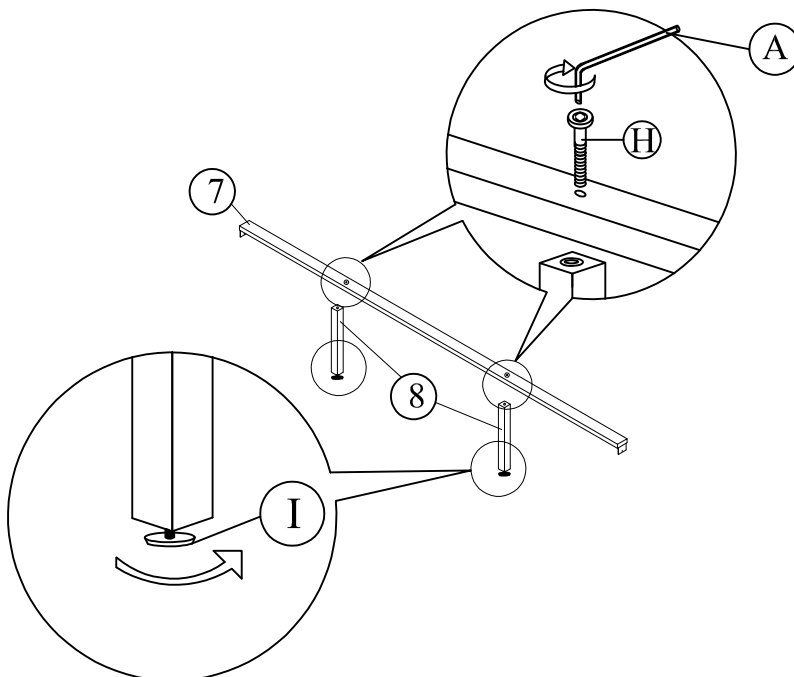
Step 6

Match the 8x Dowel (C) into 1x Headboard (1) and 1x Footboard (2) then attach 8x JCBB M8 x 20mm (G) slot the 1x Side Rail Left (3), 1x Side Rail Right (4) onto the bolts attached to the 1x Headboard (1). Then slot 1x Side Rail Left (3), 1x Side Rail Right (4) onto the bolts attached to the 1x Footboard (2). Tighten all four corners using 1x Allen Key (B).



Step 7

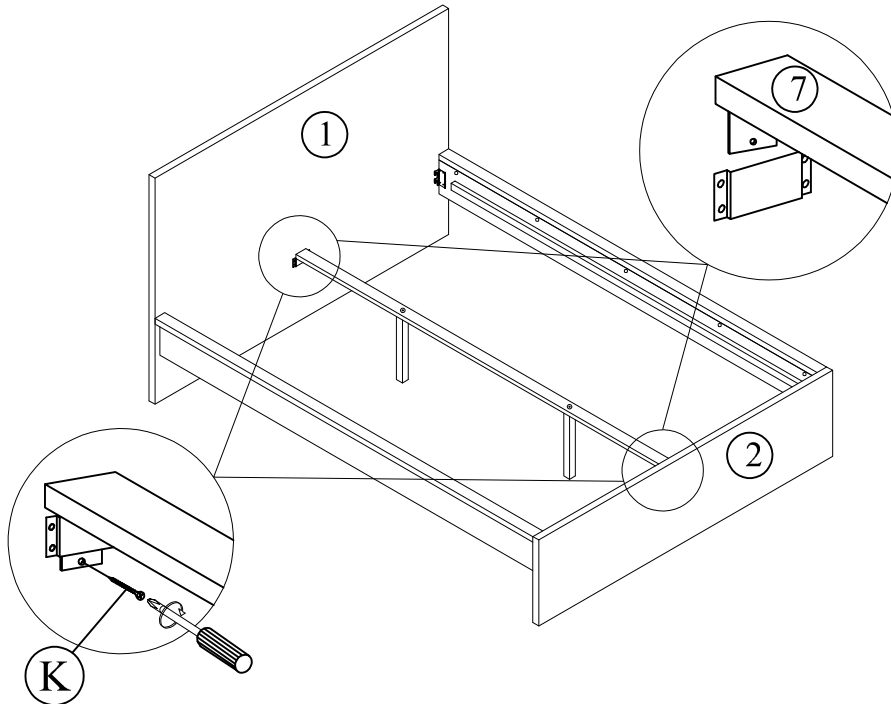
Attach the 2x Support Leg (8) to 1x Centre Rail (7) using 2x M6x40mm JCBC (H) and 1x M4 Allen Key (A). Then screw 2x Adjuster (I) to Support Leg (8).



DO NOT use any power tools as this may damage the frame and will invalidate any claim.

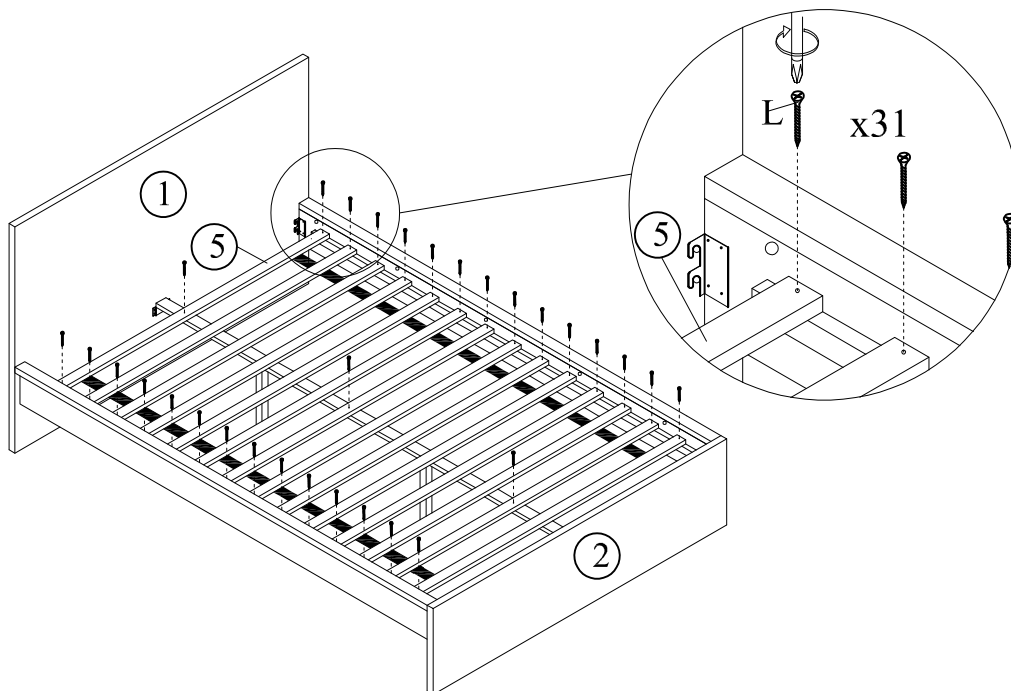
Step 8

Firstly, Slot the 1x centre rail (7) into the bracket on 1x Headboard (1) and 1x Footboard (2). Then secure using 2x M4x25mm CSK (K) and Screwdriver (Not Provided).



Step 9

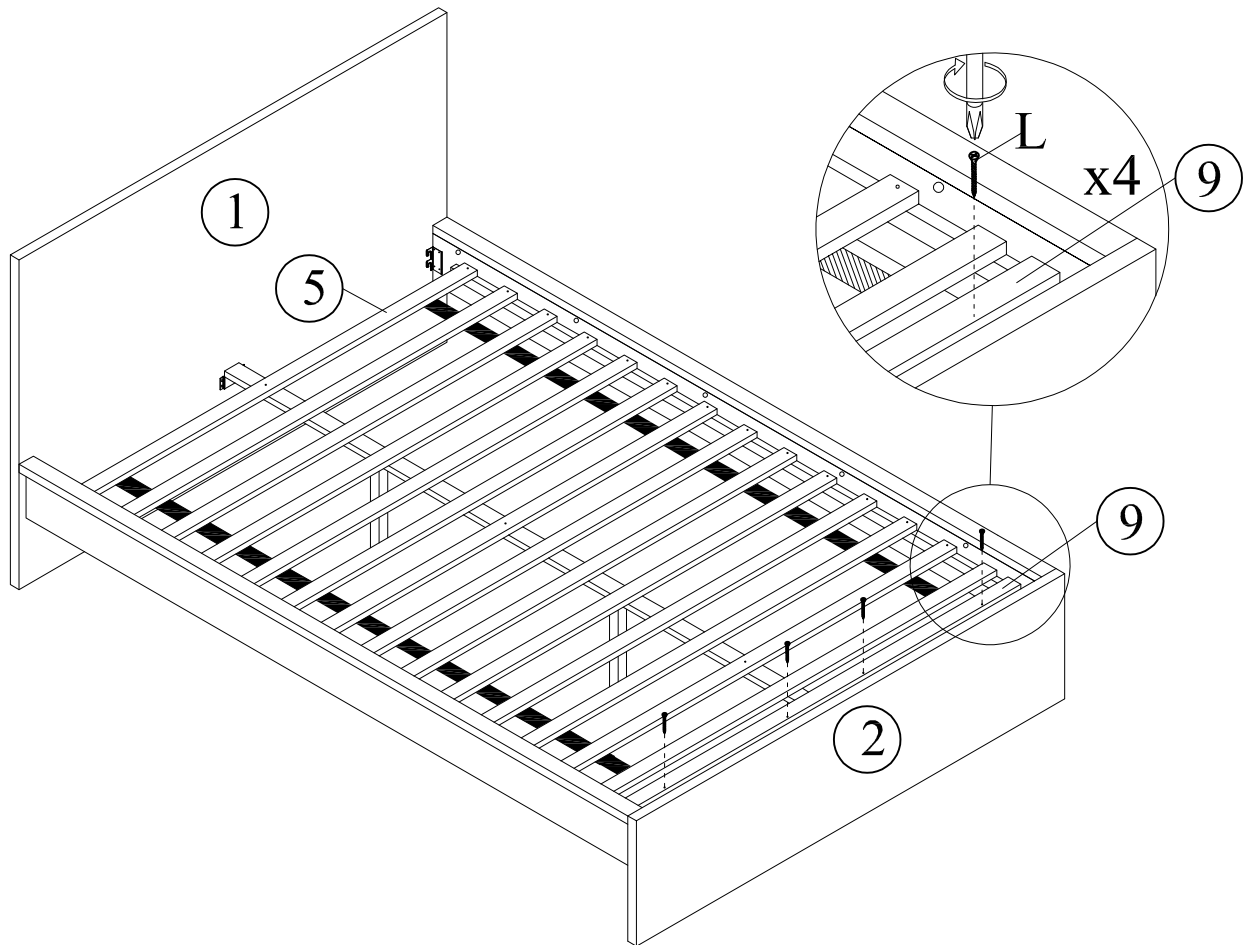
Tighten 14x Roller Slats (5) into the 1x Side Rail Left (3), 1x Side Rail Right (4). Then secure using 31x M4x32mm CSK (L) with Screwdriver (Not Provided).



DO NOT use any power tools as this may damage the frame and will invalidate any claim.

Step 10

Tighten 1x Footboard Slat (9) into the 1x Footboard (2). Then secure using 4x M4x32mm CSK (L) with Screwdriver (Not Provided).



DO NOT use any power tools as this may damage the frame and will invalidate any claim.