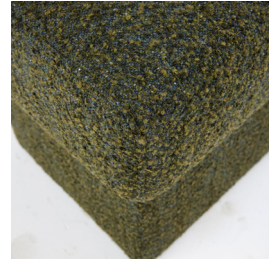
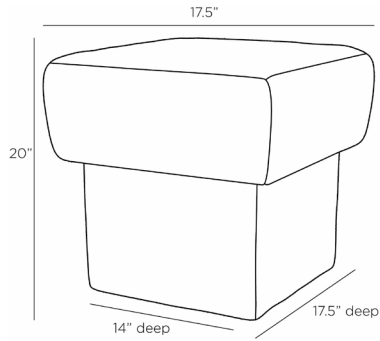


ARTERIOS

ATHENS OTTOMAN OLIVE BOUCLÉ



FOU03
H: 20 IN, W: 17.5 IN, D: 17.5 IN
Olive Bouclé
Contract Suitable As Is

This mushroom-shaped stool is a delightful pop of color and texture. A well-padded seat of olive bouclé rests atop a matching base.

APPEARANCE

Material	Bouclé
Top Coat/Sealant	false
Textile Contract Suitability	Low Traffic/Private Spaces

DIMENSIONS

Foot Print	W: 14 IN, D: 14 IN
Diagonal Dimension	26 IN
Seat Cushion Thickness	8 IN

SHIPPING

Product Weight	23.1 LBS
Gross Weight 1	33.1 LBS
Shipping Box 1	H: 24 IN, L: 21.5 IN, W: 21.5 IN

ADDITIONAL INFO

Leg Or Foot Application	Glides
Fabric Compliancy	NFPA-260, TB117-2013
Fabric Rub Count	48,000
Swatch Number	X64SW
Fabric Cleaning Code	S - dry clean only
Fabric Content	48% Acrylic, 36% Wool, 16% Polyester
Seating Type	Tight Wrapped Dacron Foam
Yardage To Reupholster	1.5 Yards

CONTRACT

Contract Suitable	true
Fabric Composition	48% Acrylic, 36% Wool, 16% Polyester