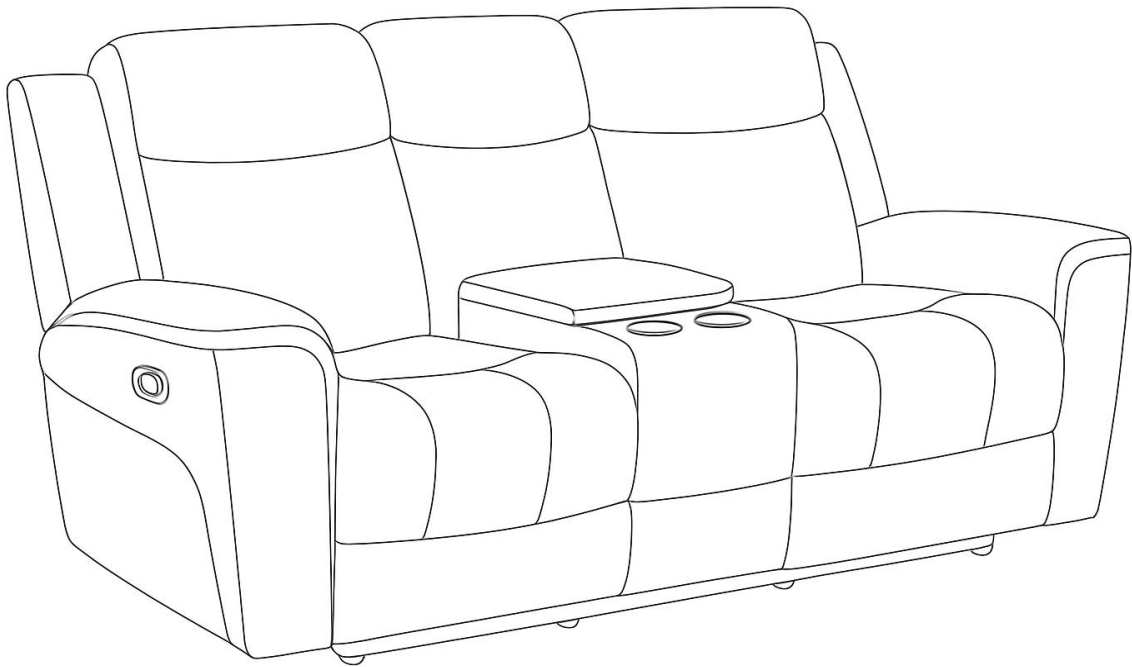


# Power Reclining Sofa with Console

## Assembly Manual

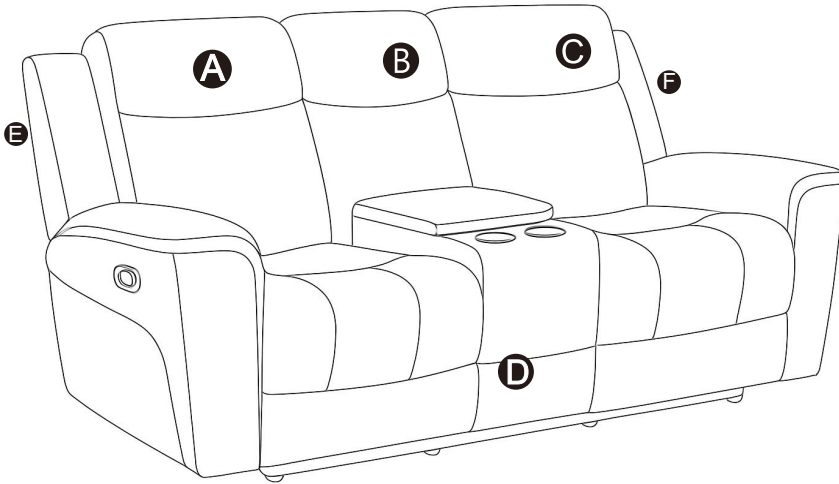
### KMT.6150



 **CAUTION**

THIS ASSEMBLY MANUAL CONTAINS IMPORTANT SAFTY INFORMATION.  
PLEASE READ AND KEEP FOR FUTURE REDERENCE.

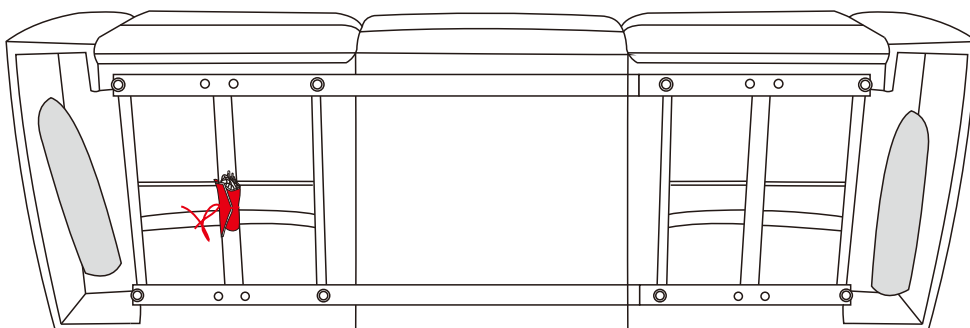
## COMPONENTS

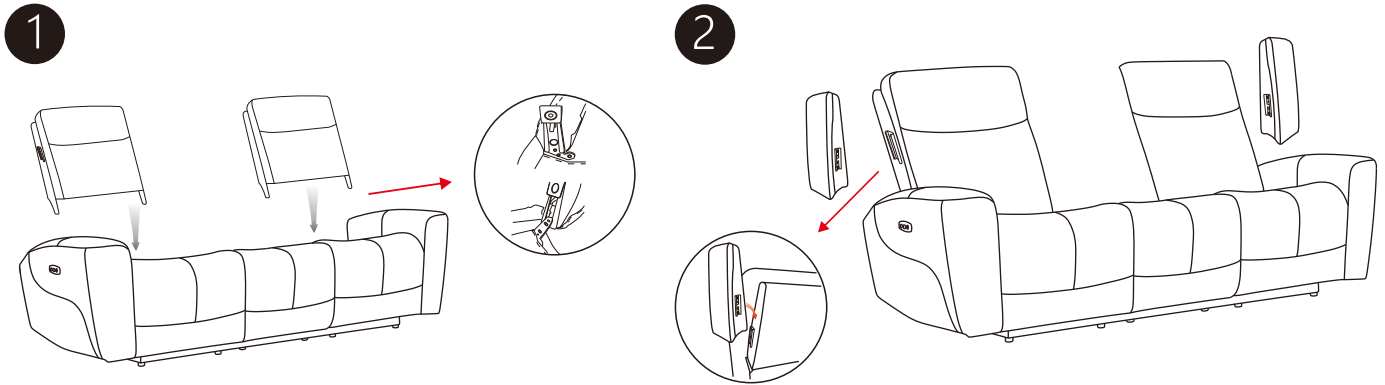


- A** Chair Back  
1X
- B** Console Back  
1X
- C** Chair Back  
1X
- D** Chair Base  
1X
- E** Left wing  
1X
- F** Right Wing  
1X

## WARNING

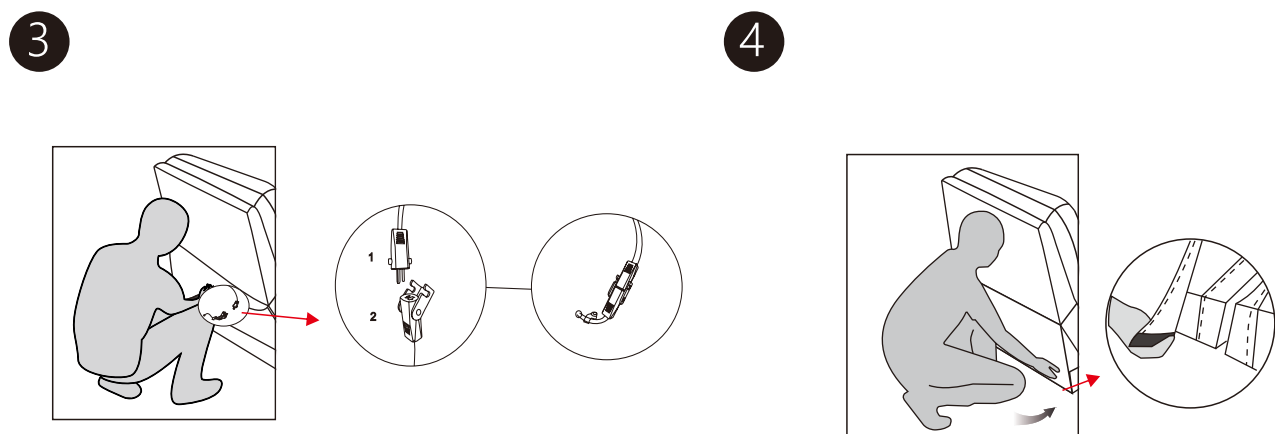
Find a protector at the bottom, then remove it before using.





1. Align the functional connector of the backrest and cushion and press down.

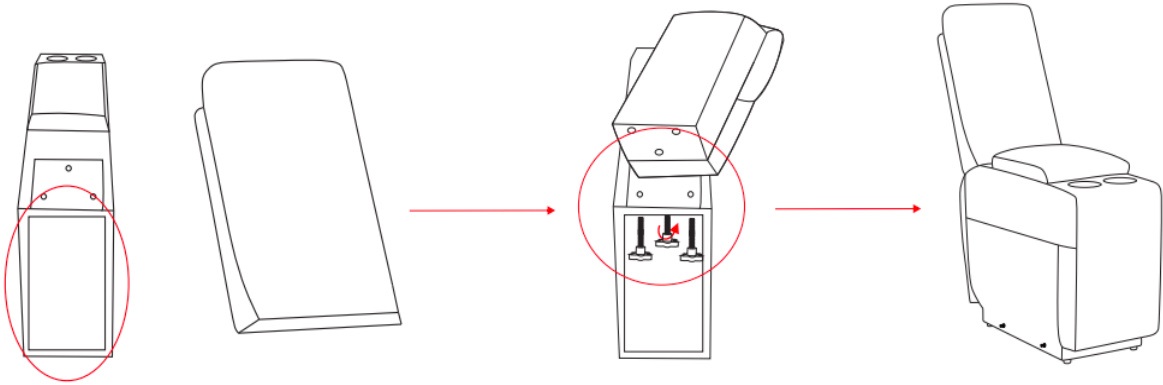
2. Insert the left and right ear to the sofa back.



3. Connect the wires between the backrest and the seat cushion.

4. Attach the Velcro to the back seal.

5



The center console's backrest is stored inside the console compartment. Use five star screw to secure the back to the base.

6

