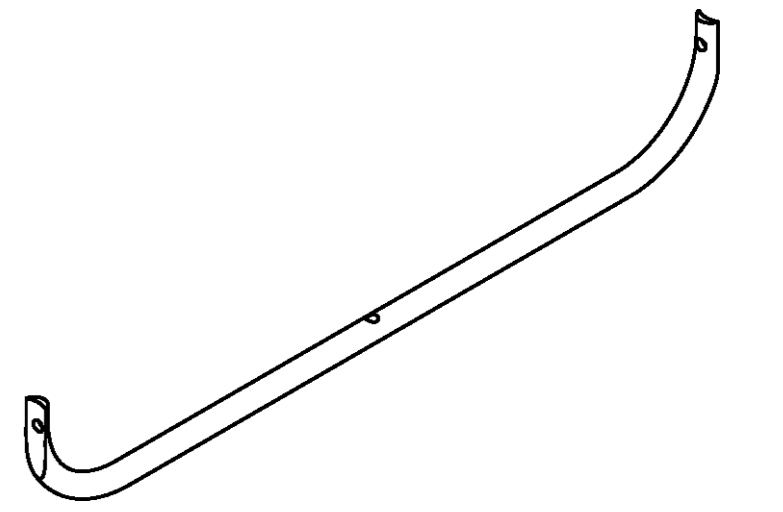
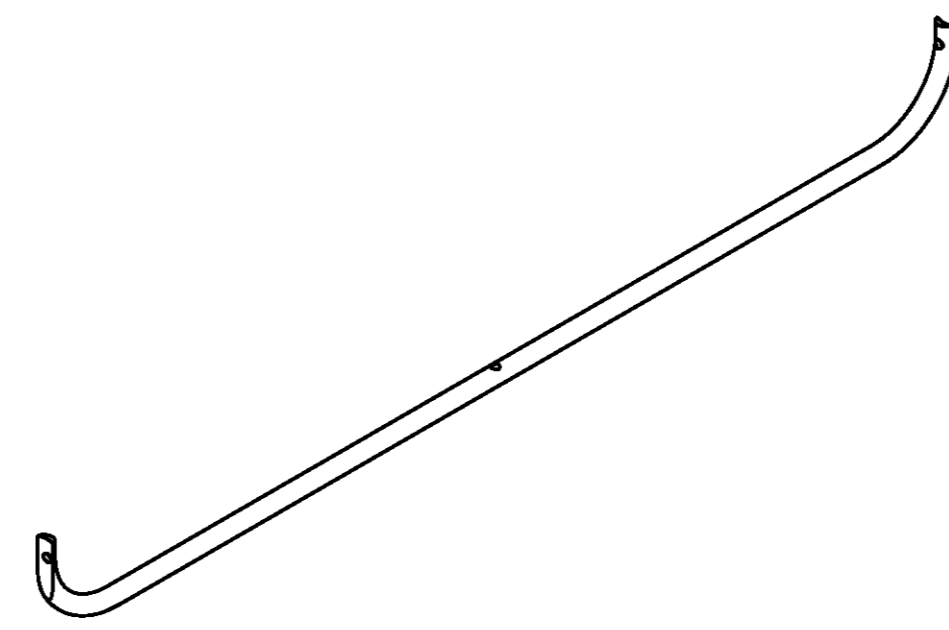
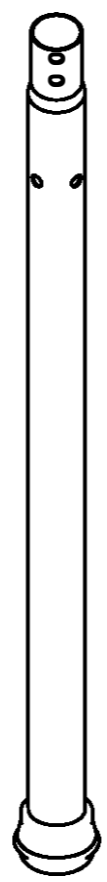
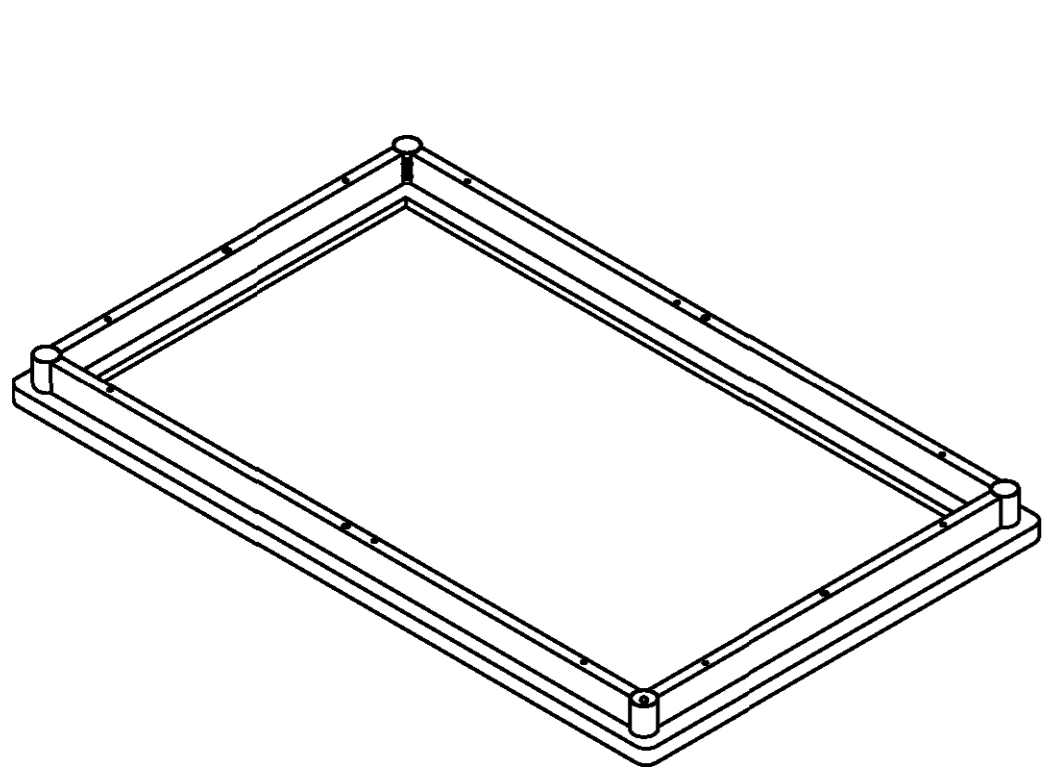


ASSEMBLY INSTRUCTION

DINING TABLE WITH PVC VENEER TOP

A Table Top With Apron **B** Table Leg **C** Long Rail **D** Short Rail



1PC

4PCS

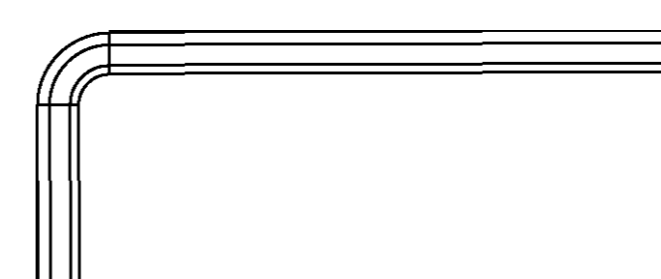
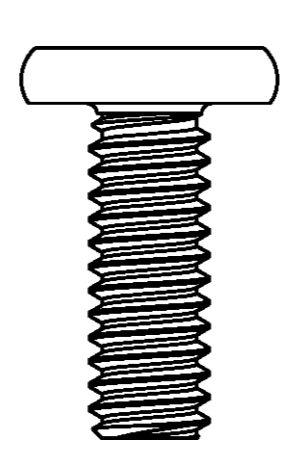
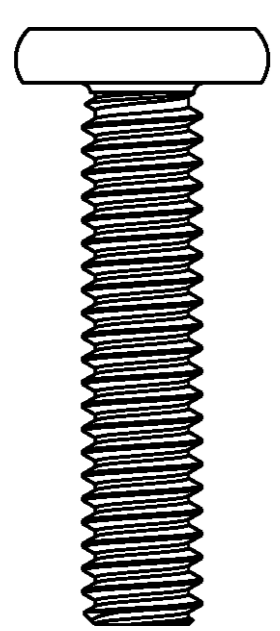
2PCS

2PCS

E Bolt
1/4"*43mm

F Bolt
1/4"*16mm

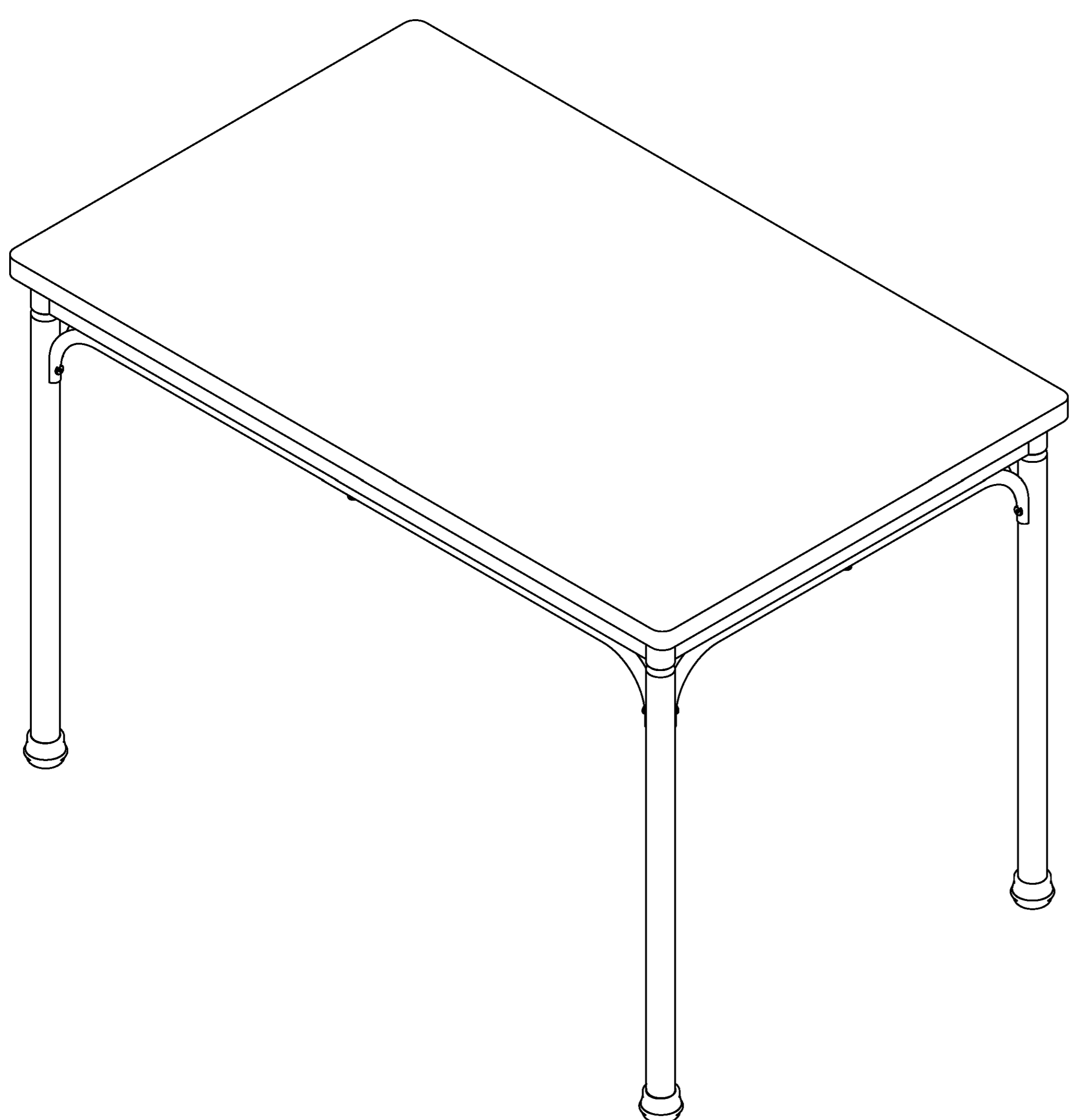
G L-Allen Key
4mm



4PCS

16PCS

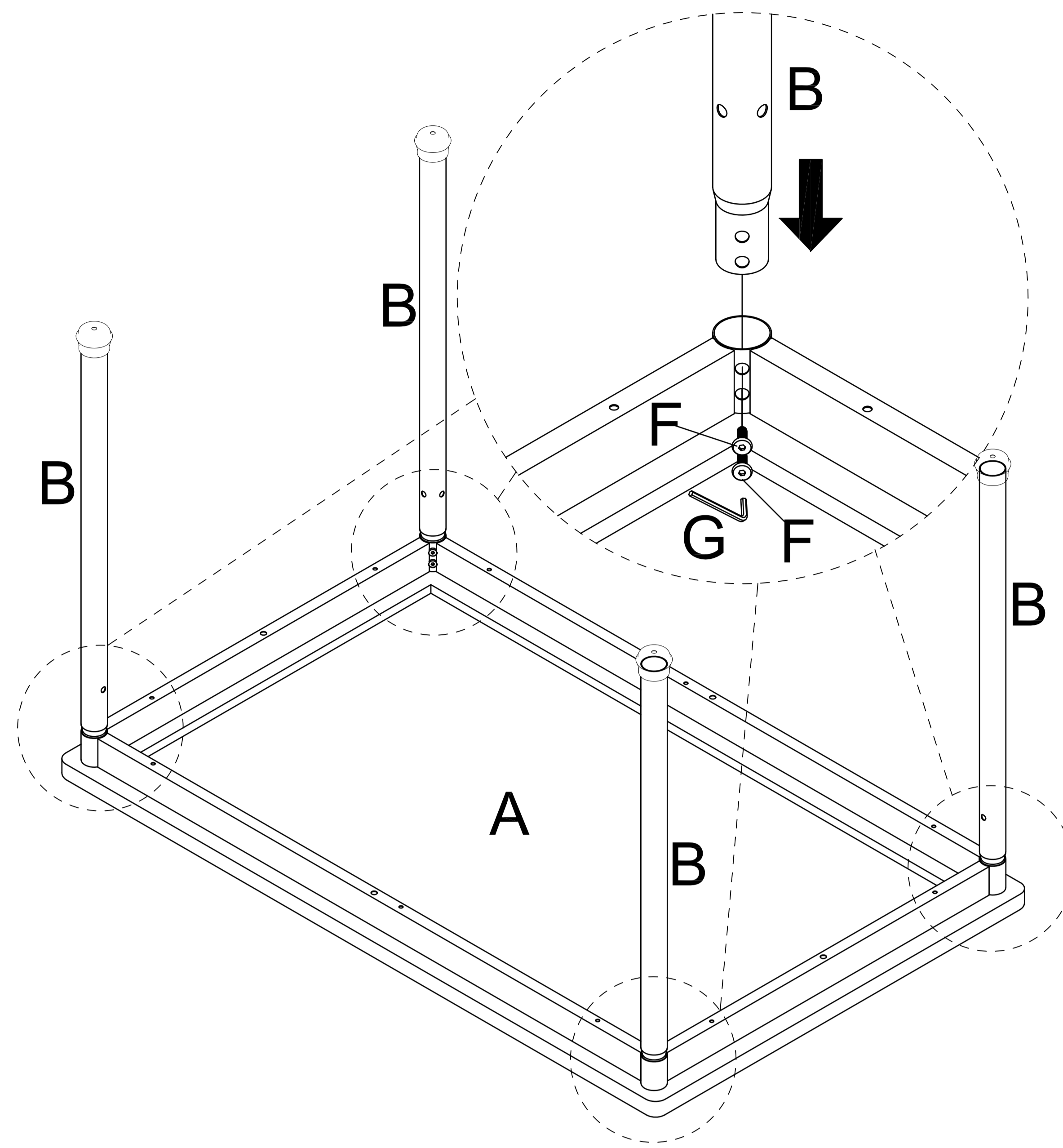
1PC



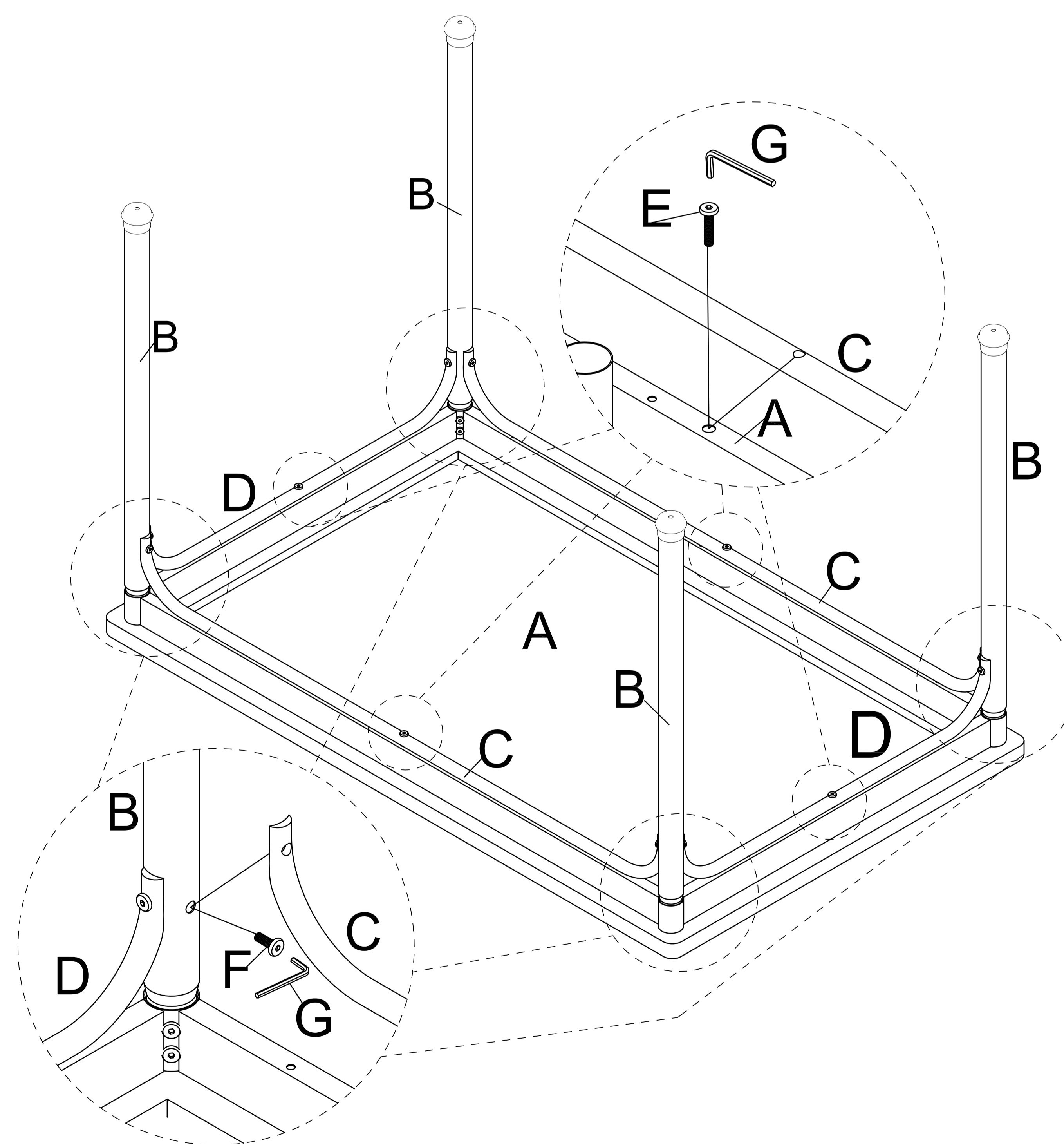
This page lists all the contents included in the box. Please take the time to identify the hardware as well as the individual components to this product. As you unpack and prepare for assembly, place the contents on a carpeted or padded area to protect them from damage.

1

Place the Table Top With Apron (A) on the smooth and stable carpeted or padded surface. Attach the Table Leg (B) to the Table Top With Apron (A), insert the Bolt (F), turn the L-Allen Key (G) to tighten them.

**2**

Attach the Long Rail (C) and Short Rail (D) to table apron. Insert the Bolt (E) and Bolt (F), turn the L-Allen Key (G) to tighten them.



Cleaning & Care

Treat surface with care. Surface is resistant to scratches but is not scratch resistant. Clean surfaces with a dry or damp soft cloth. Do not use abrasive cleaners. Hardware may loosen over time. Periodically check that all connections are tight.