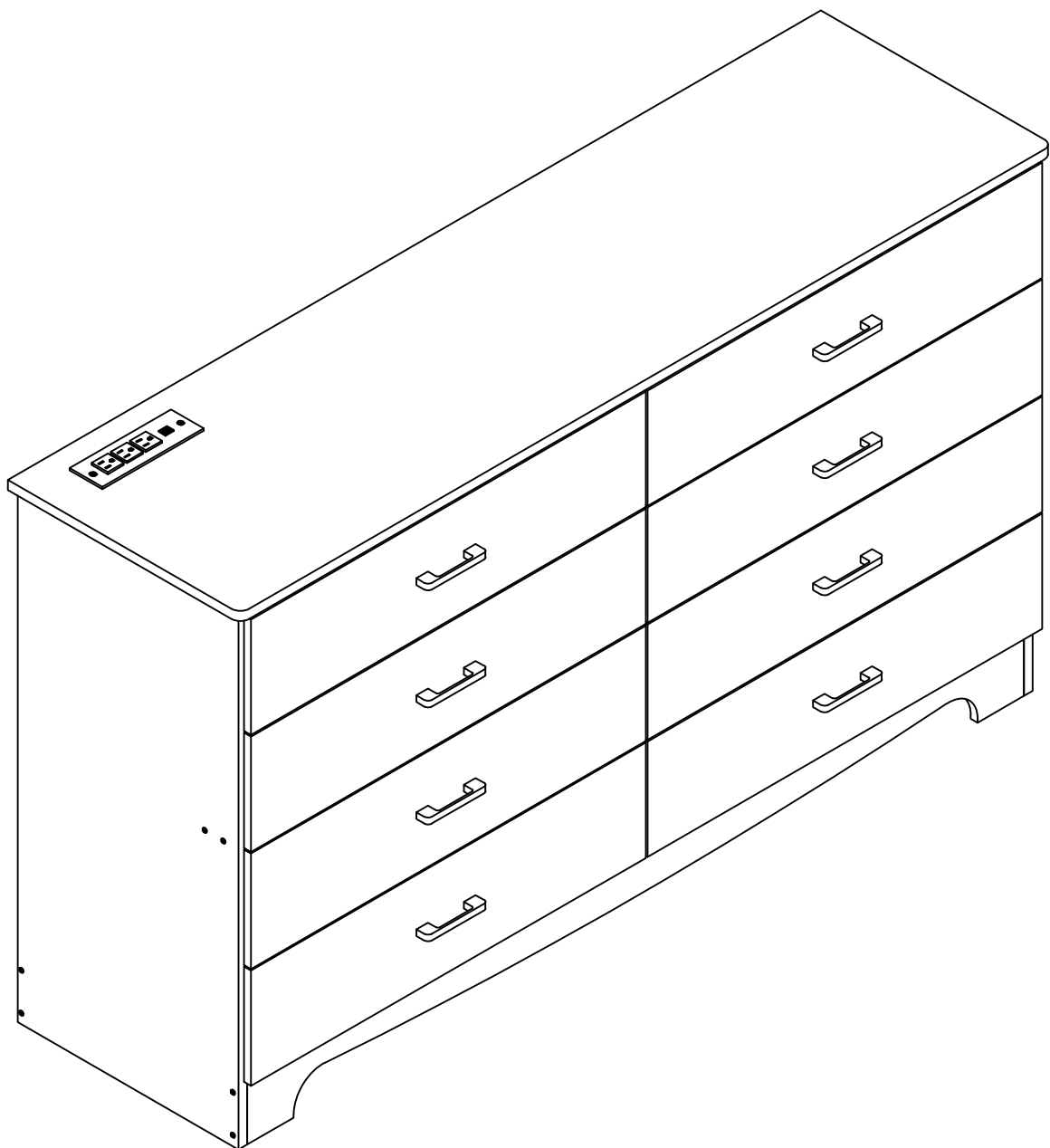
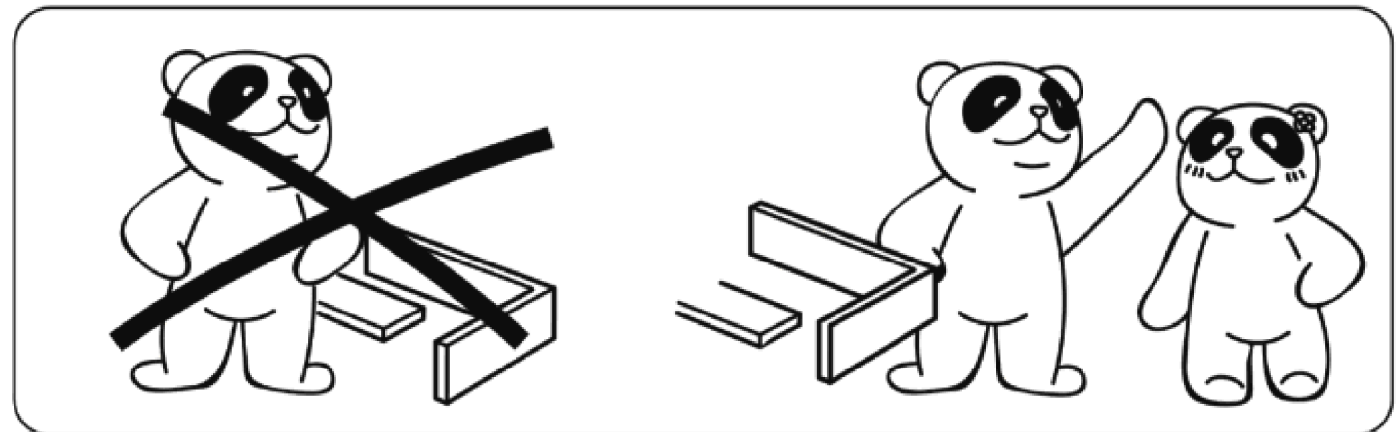
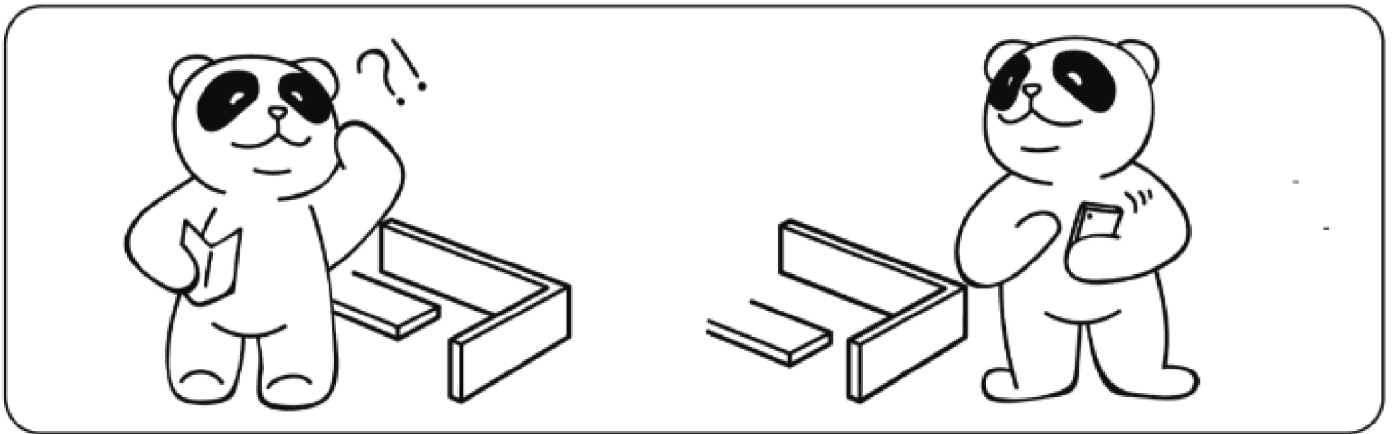
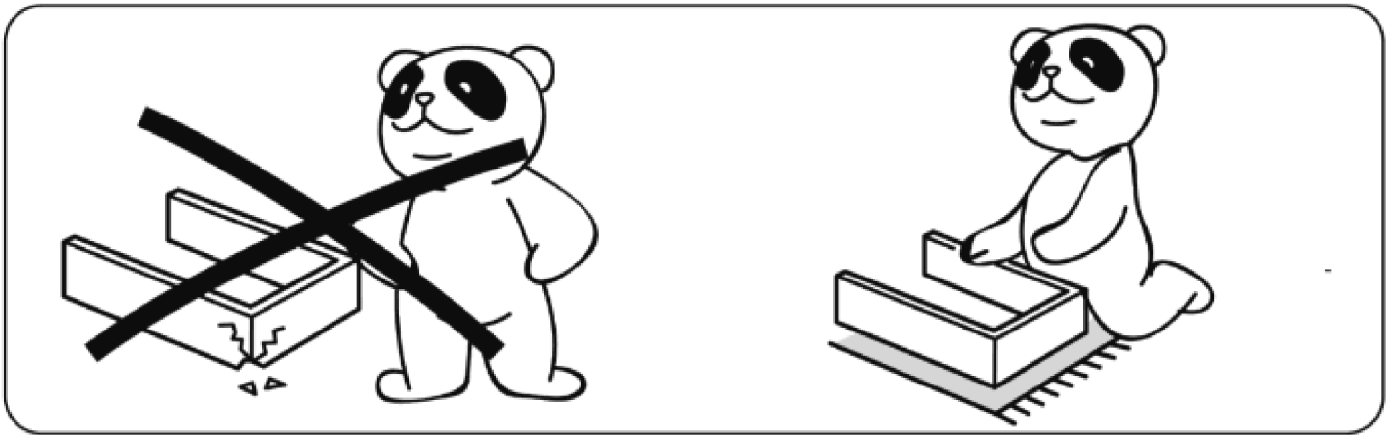
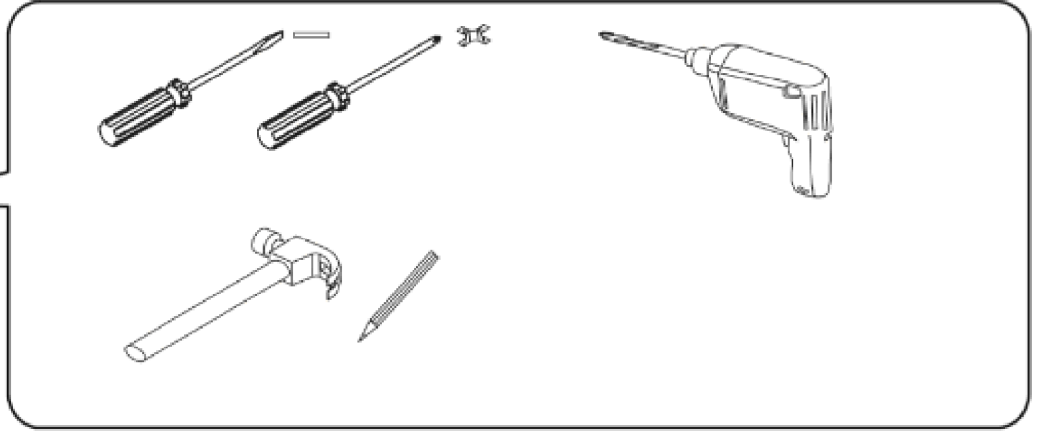
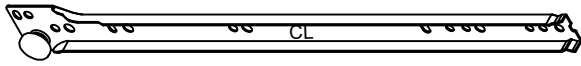


Chest of drawers

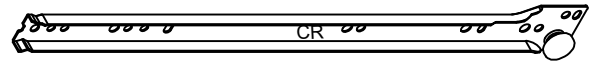




Installation Parts



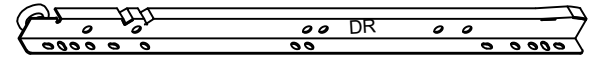
CL
x8
L350mm



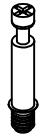
CR
x8
L350mm



DL
x8
L350mm



DR
x8
L350mm



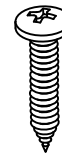
A
*39+2
6*35mm



B
*39+2
15*10mm



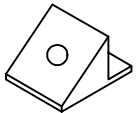
C
*12+1
6*30mm



D
*12+1
4*40mm



E
*42+2
3.5*25mm



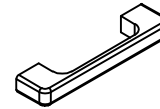
F
*12+1



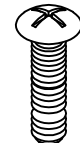
G
*14+1
3.5*14mm



H
*80+3
3*10mm



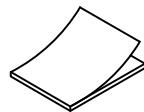
I
*8



J
*16+1
4*16mm



K
*1



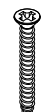
L
*6



M
*2

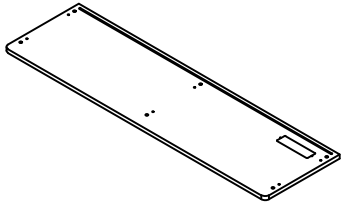


N
*2

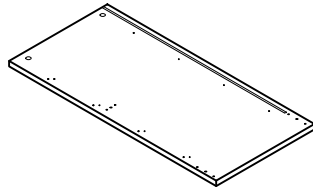


O
*2
3.5*35mm

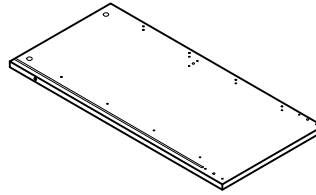
Mounting frame



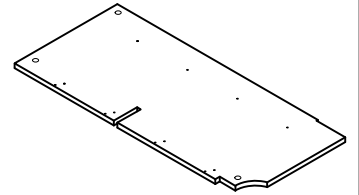
1
X1



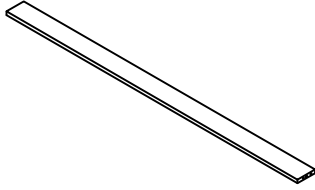
2
X1



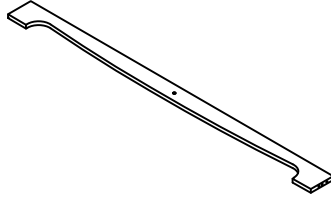
3
X1



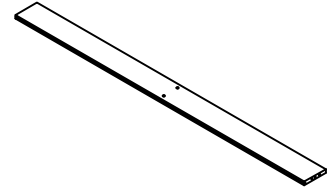
4
X1



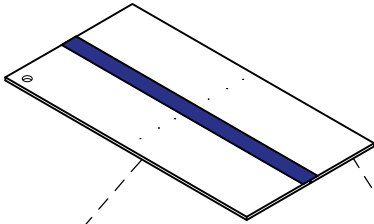
5
X1



6
X1



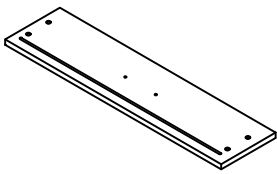
7
X1



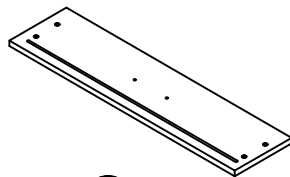
8
X1

9
X1

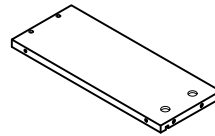
Drawer



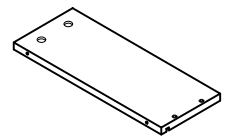
10
X4



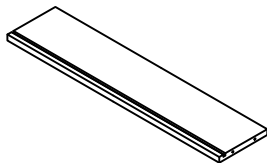
11
X4



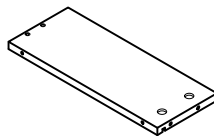
12
X7



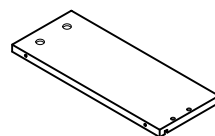
13
X7



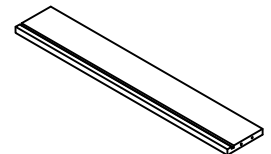
14
X7



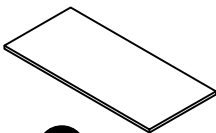
15
X1



16
X1



17
X1



18
X8

Mounting frame



A
*7

6*35mm



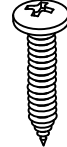
B
*7

15*10mm



C
*12

6*30mm



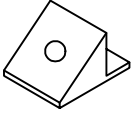
D
*12

4*40mm



E
*8

3.5*25mm



F
*12



G
*14

3.5*14mm

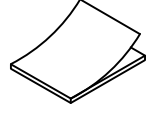


H
*48

3*10mm



K
*1



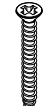
L
*6



M
*2

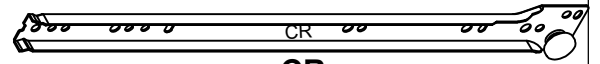


N
*2

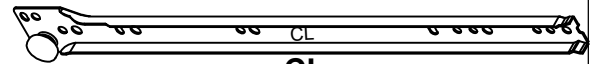


O
*2

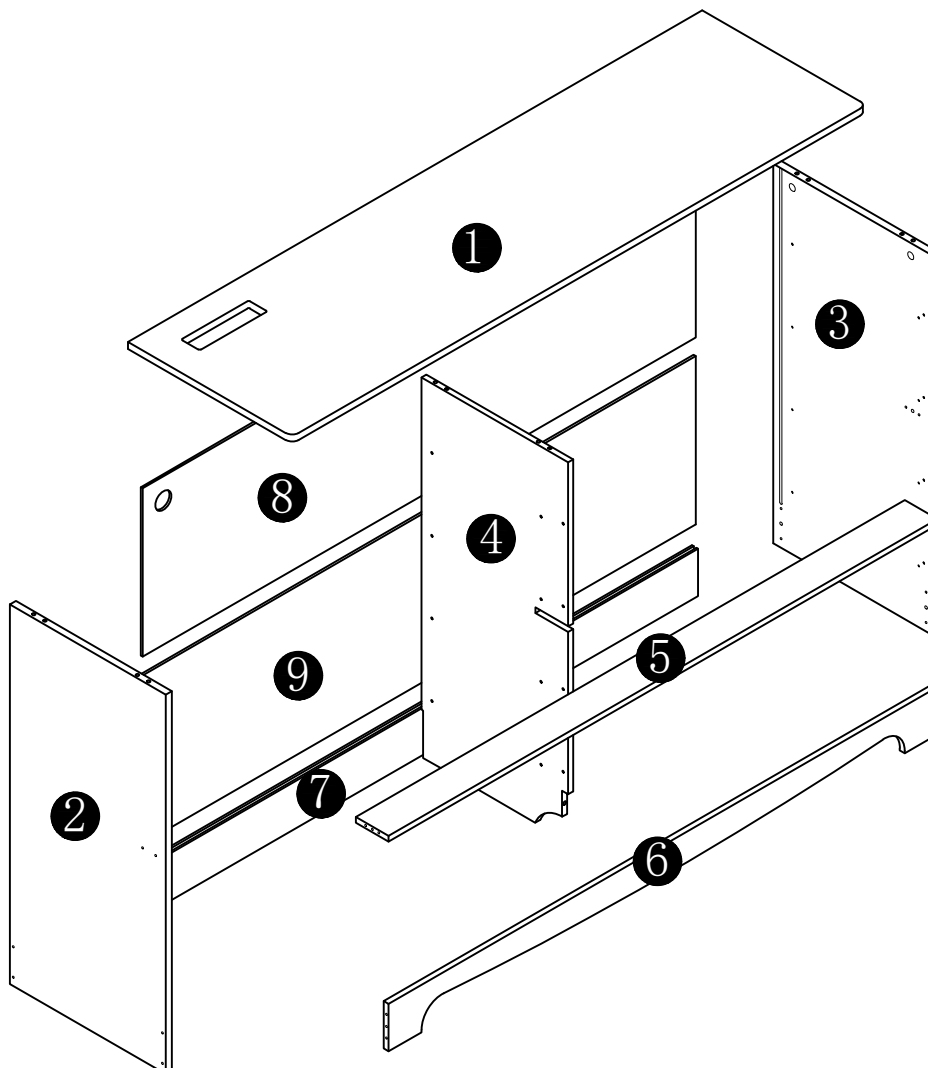
3.5*35mm



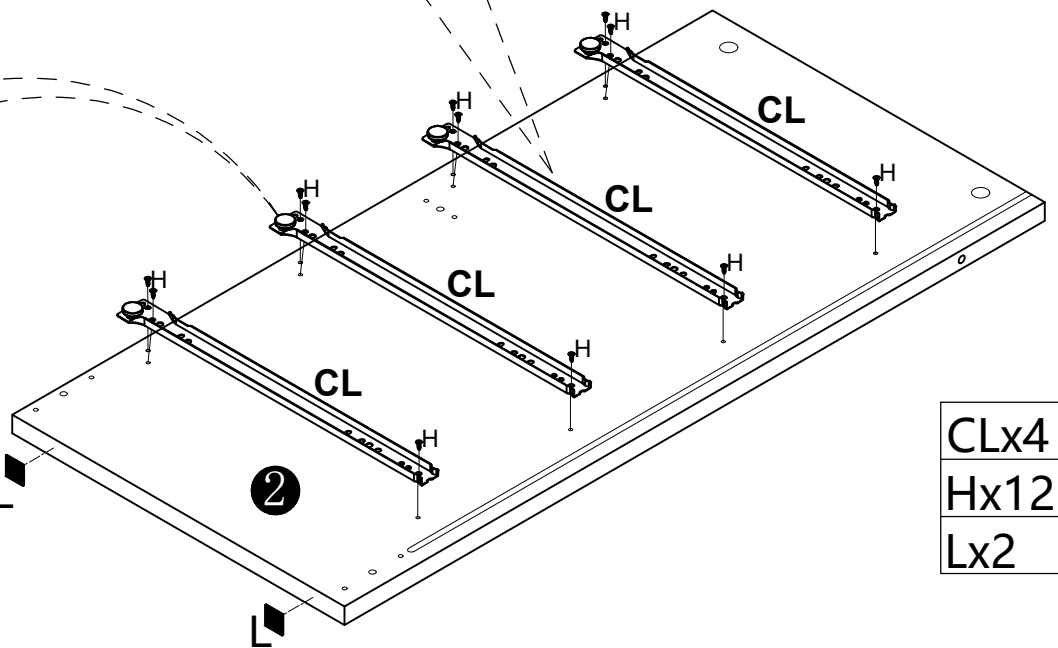
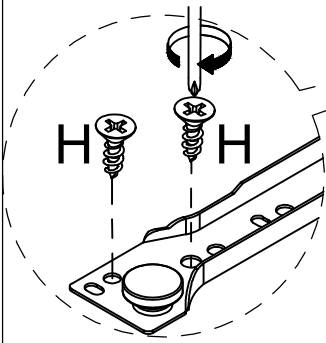
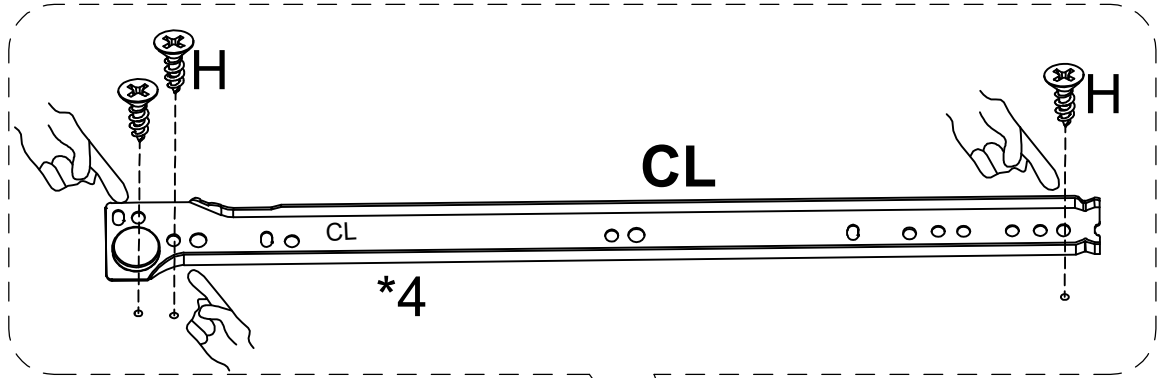
CR
x8
L350mm



CL
x8
L350mm

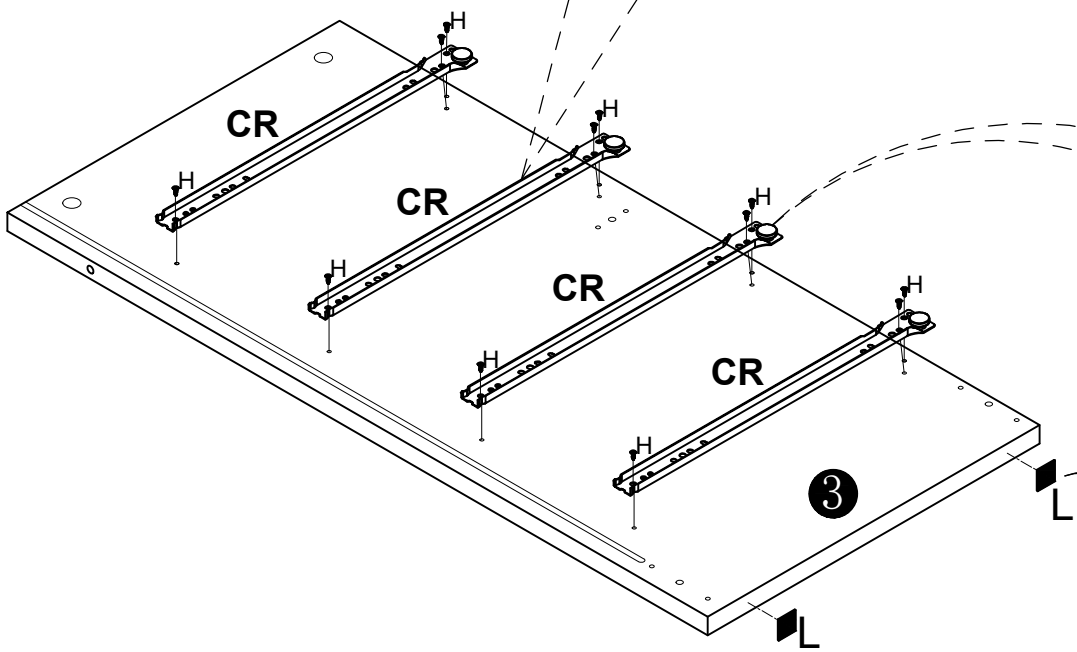
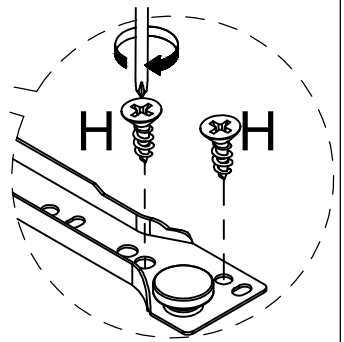
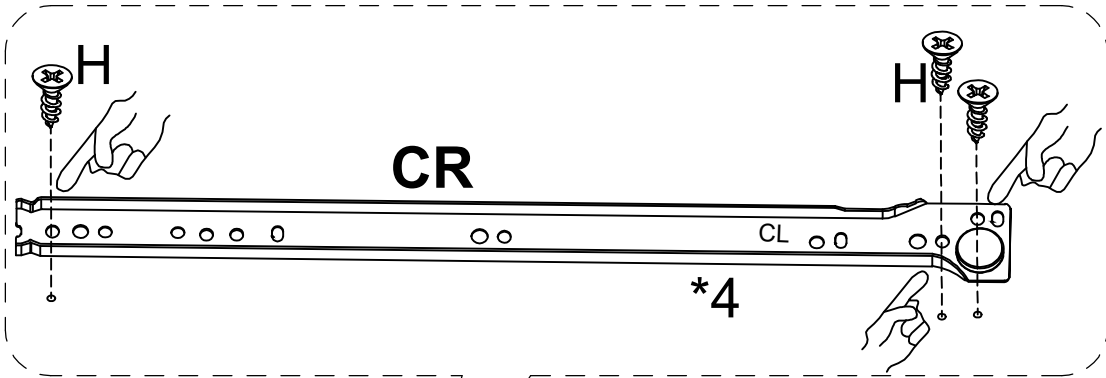


1



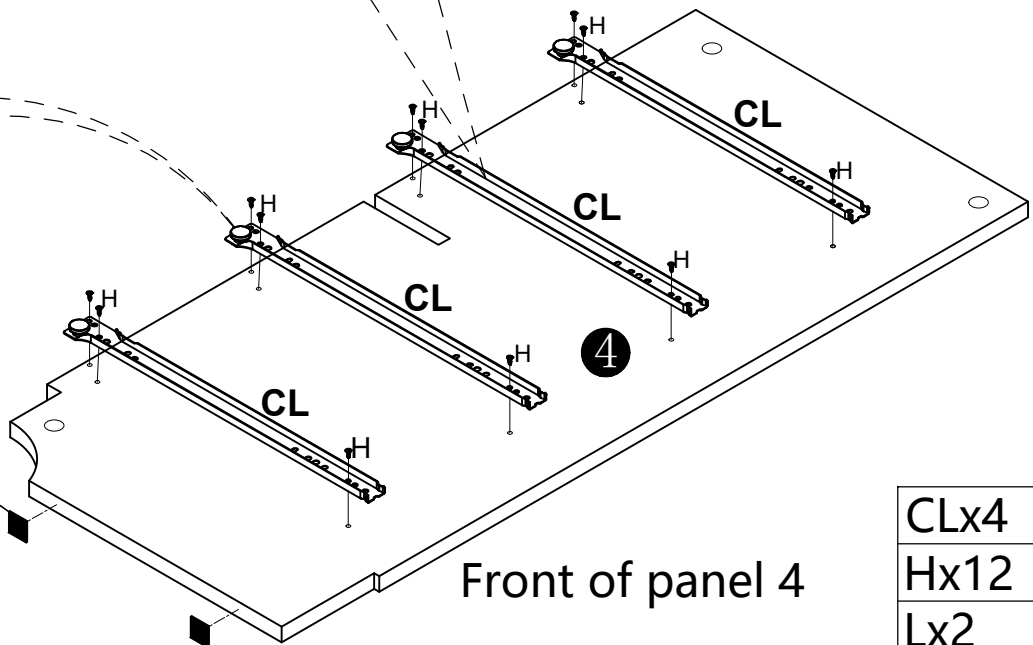
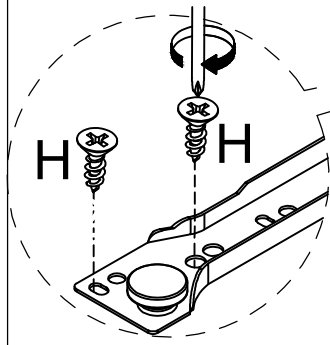
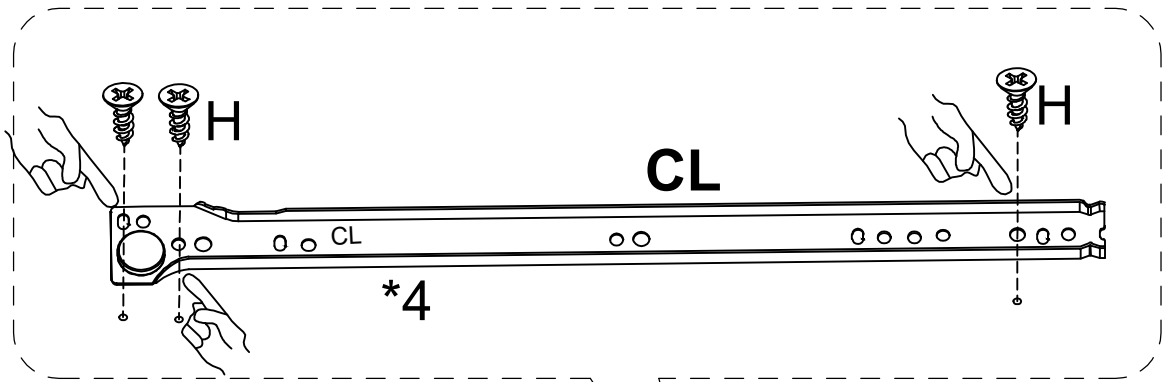
CLx4
Hx12
Lx2

2



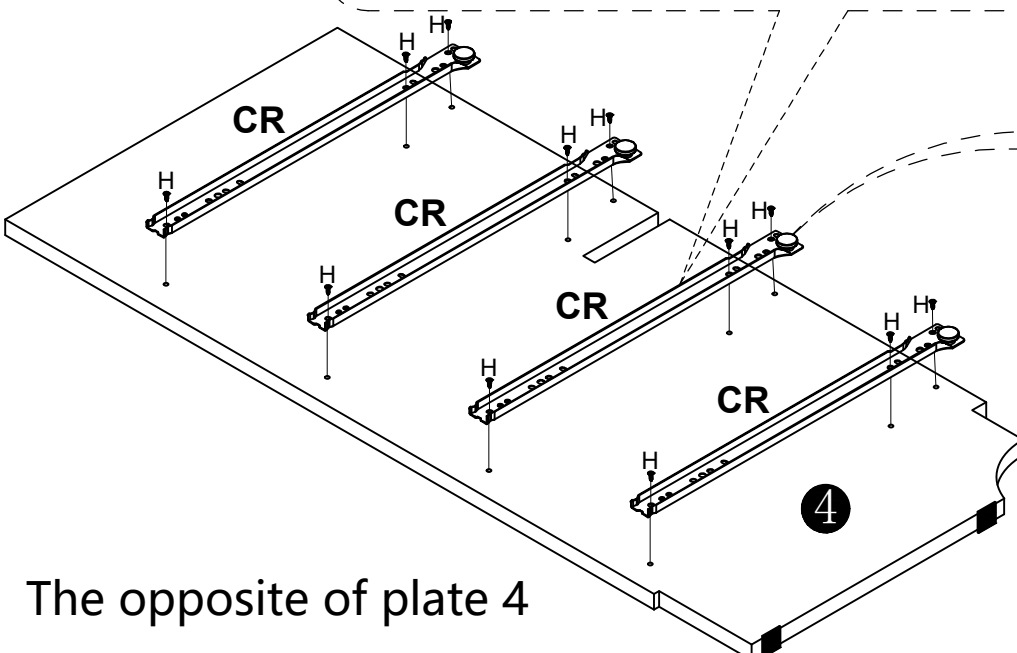
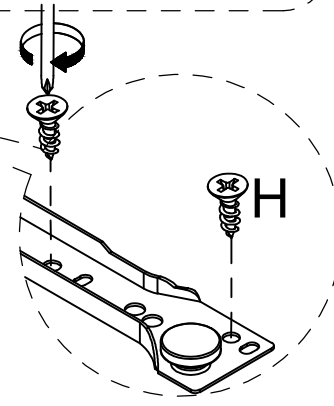
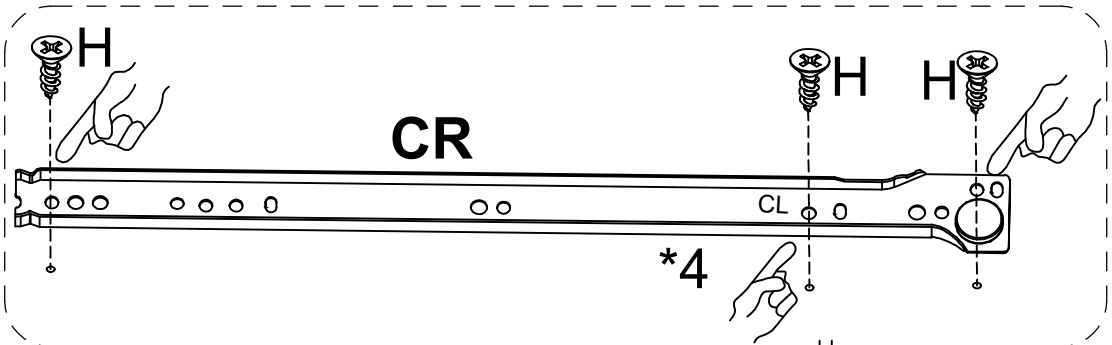
CRx4
Hx12
Lx2

3



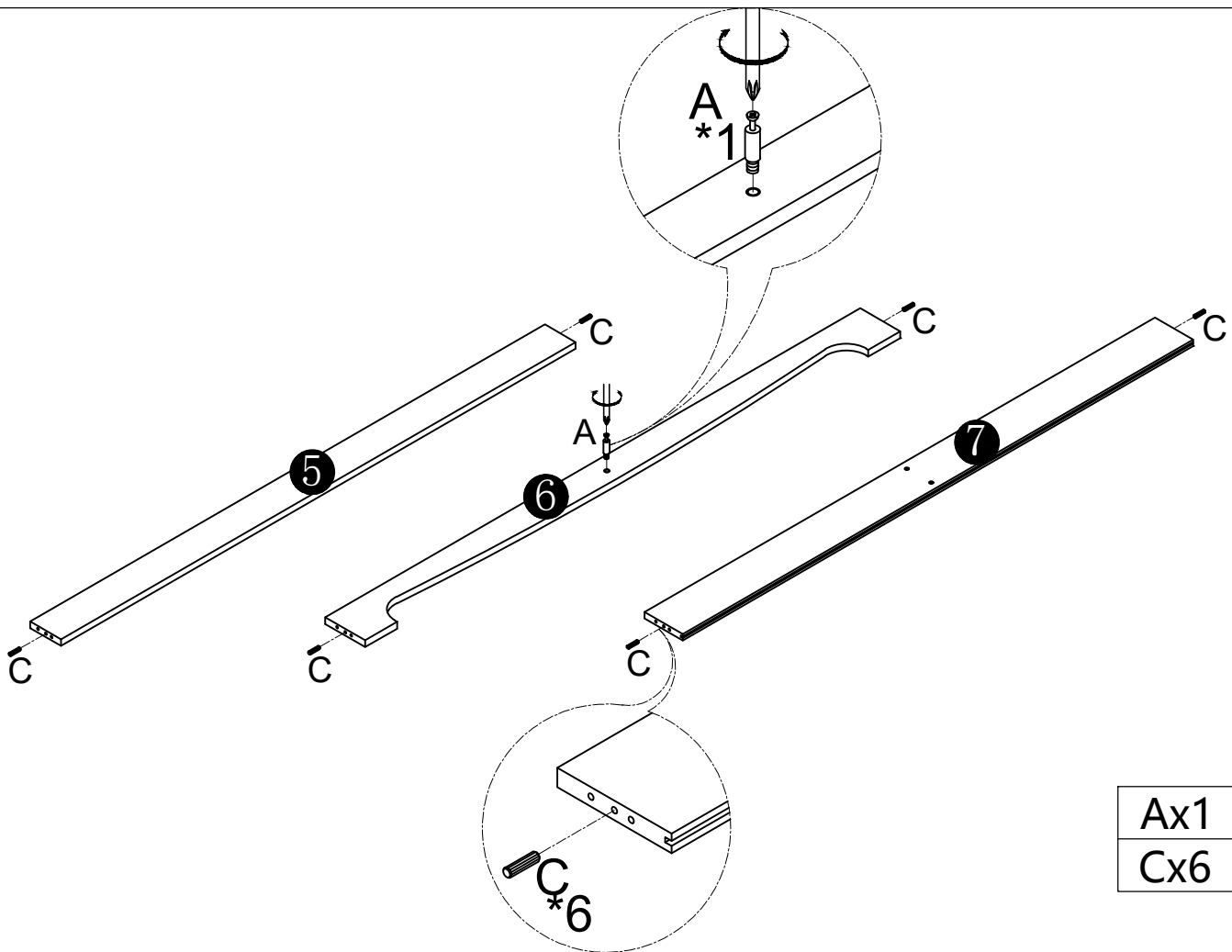
CLx4
Hx12
Lx2

4



CRx4
Hx12

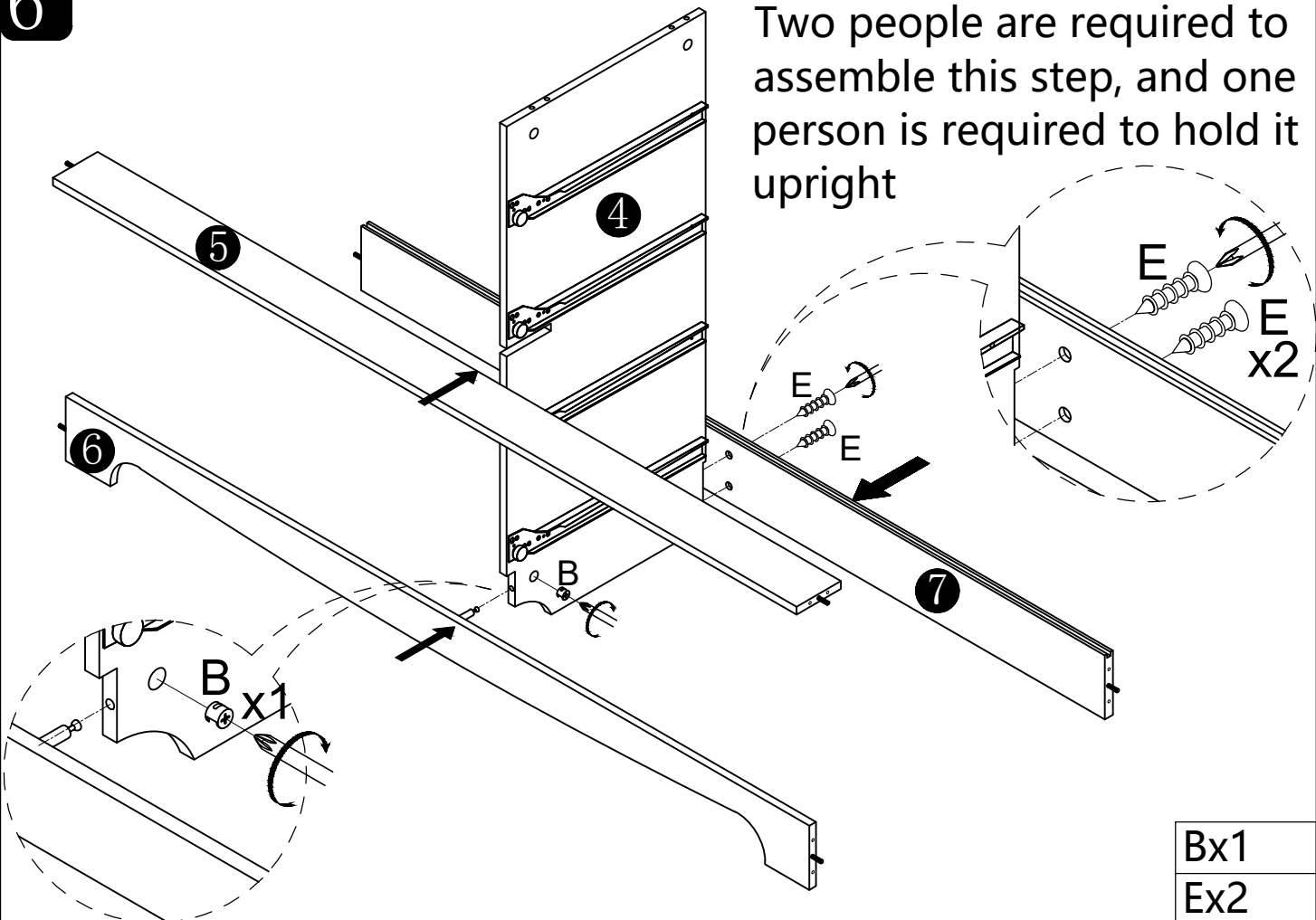
5



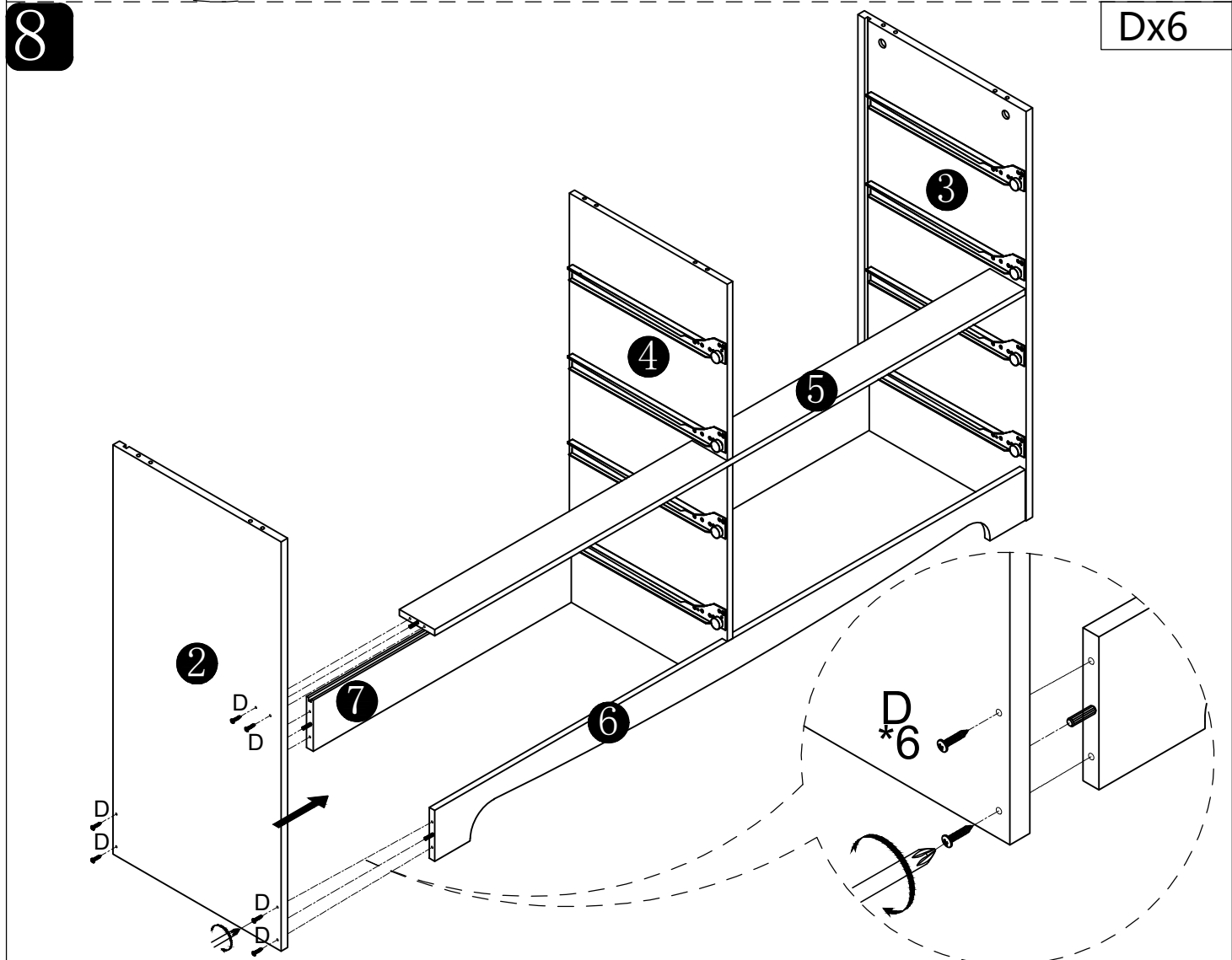
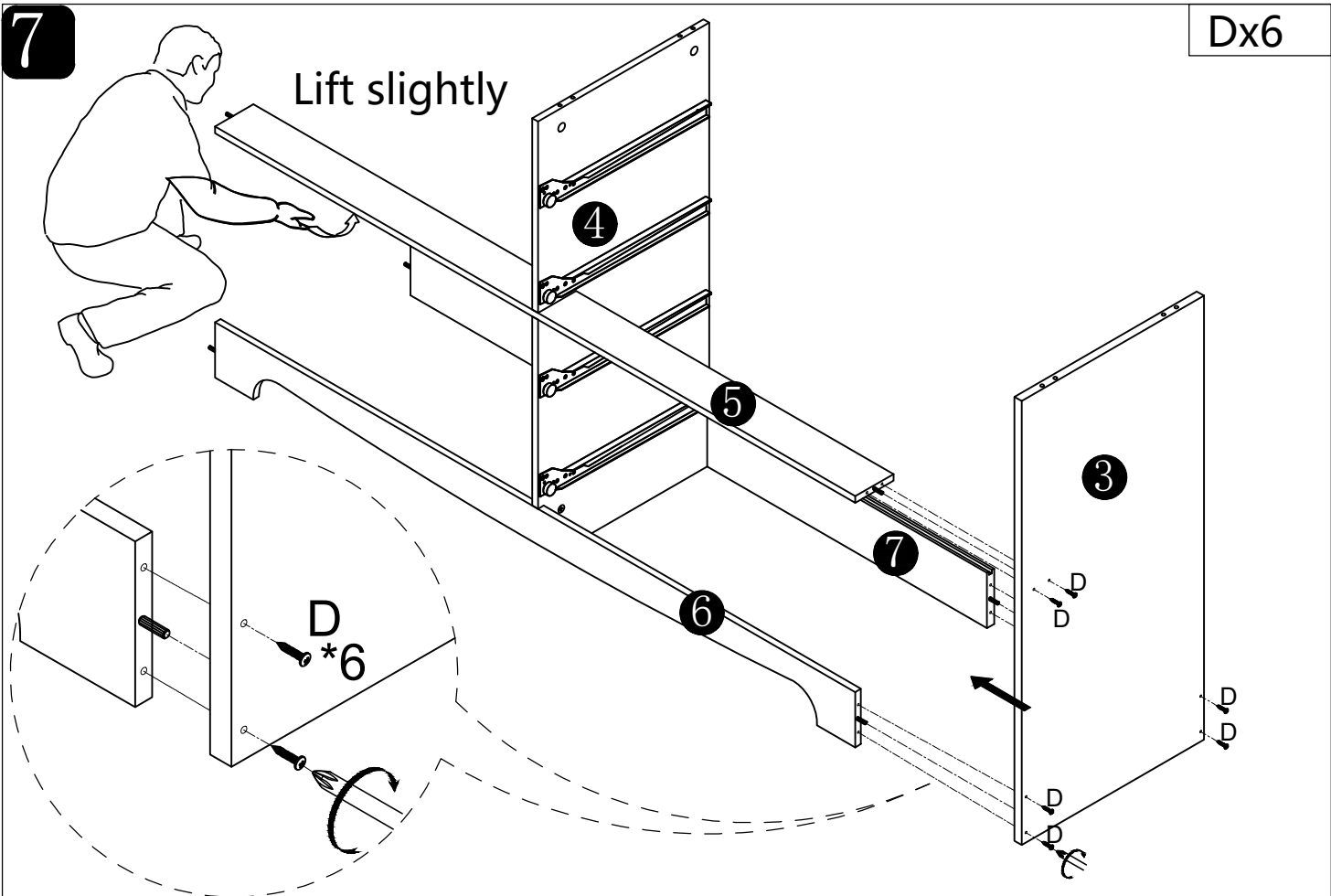
Ax1
Cx6

6

Two people are required to assemble this step, and one person is required to hold it upright

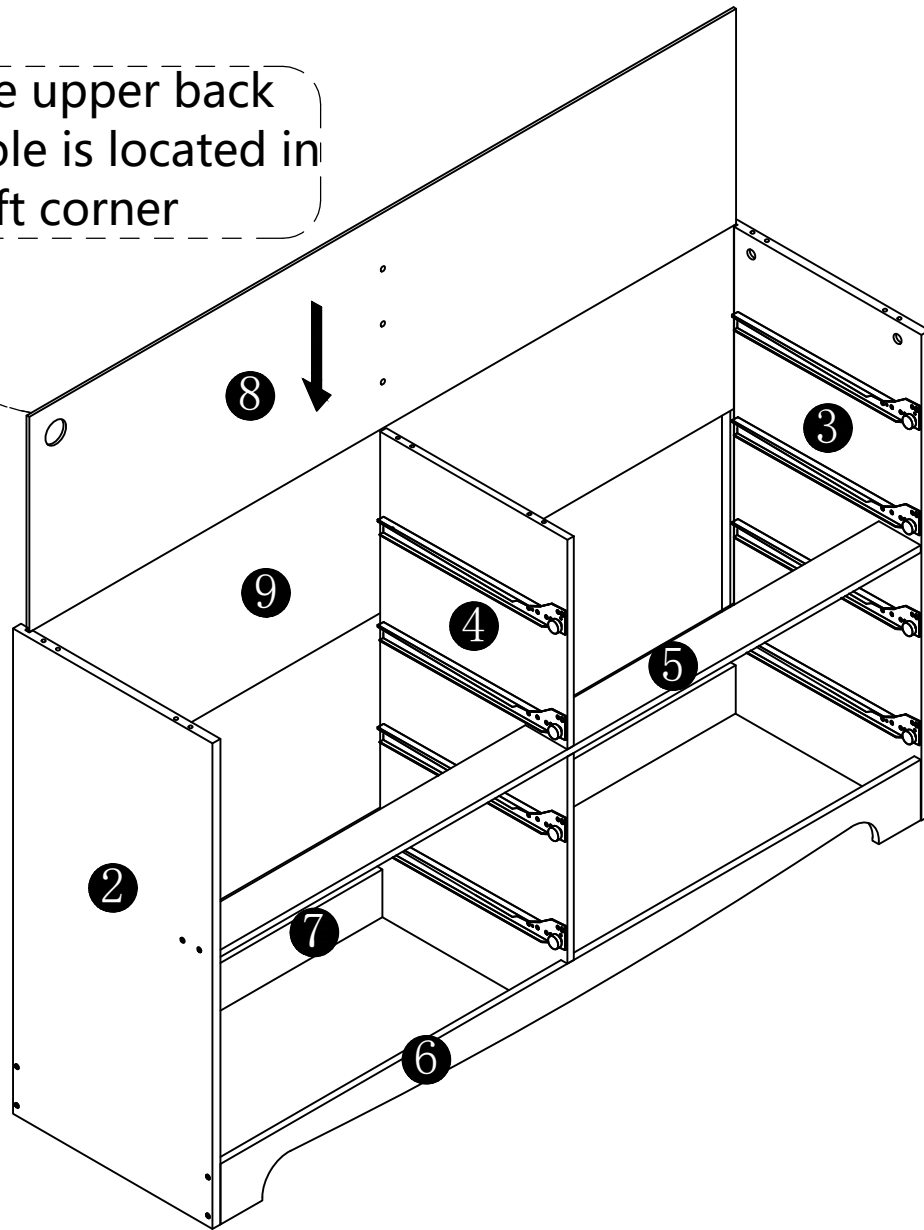


Bx1
Ex2



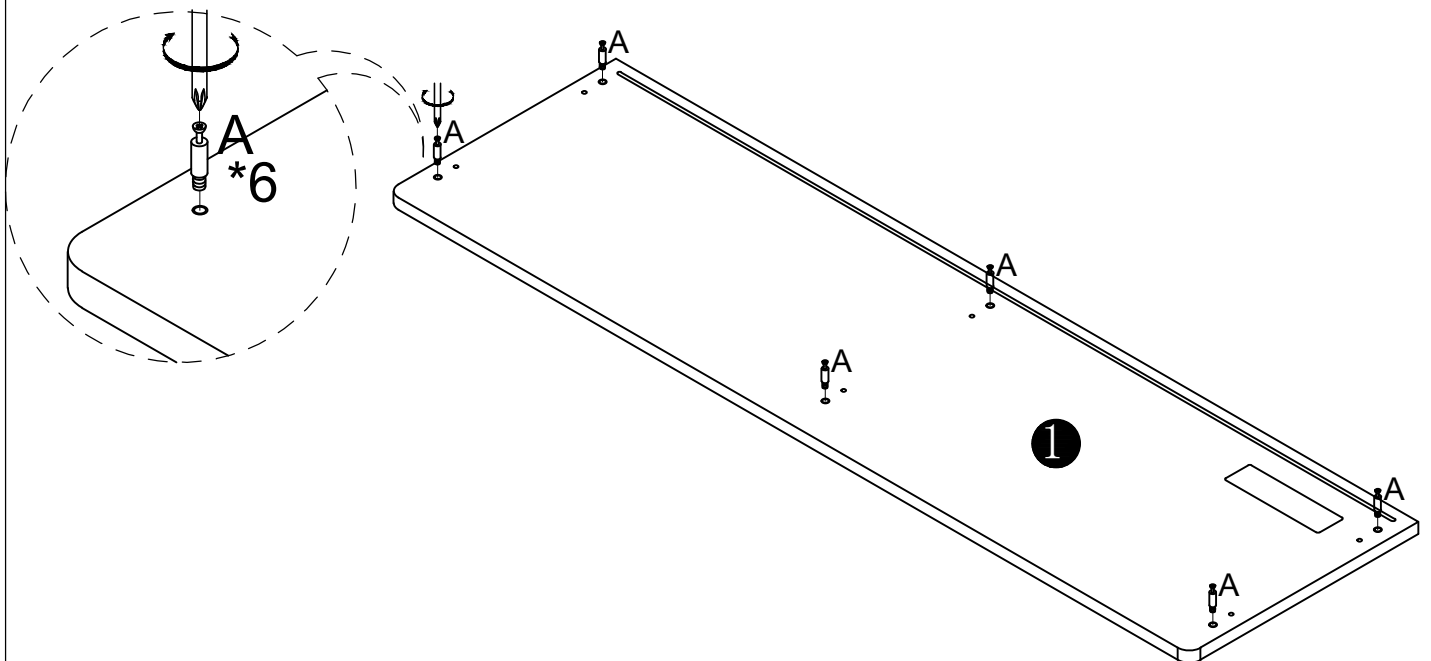
9

Note that the upper back
threading hole is located in
the upper left corner



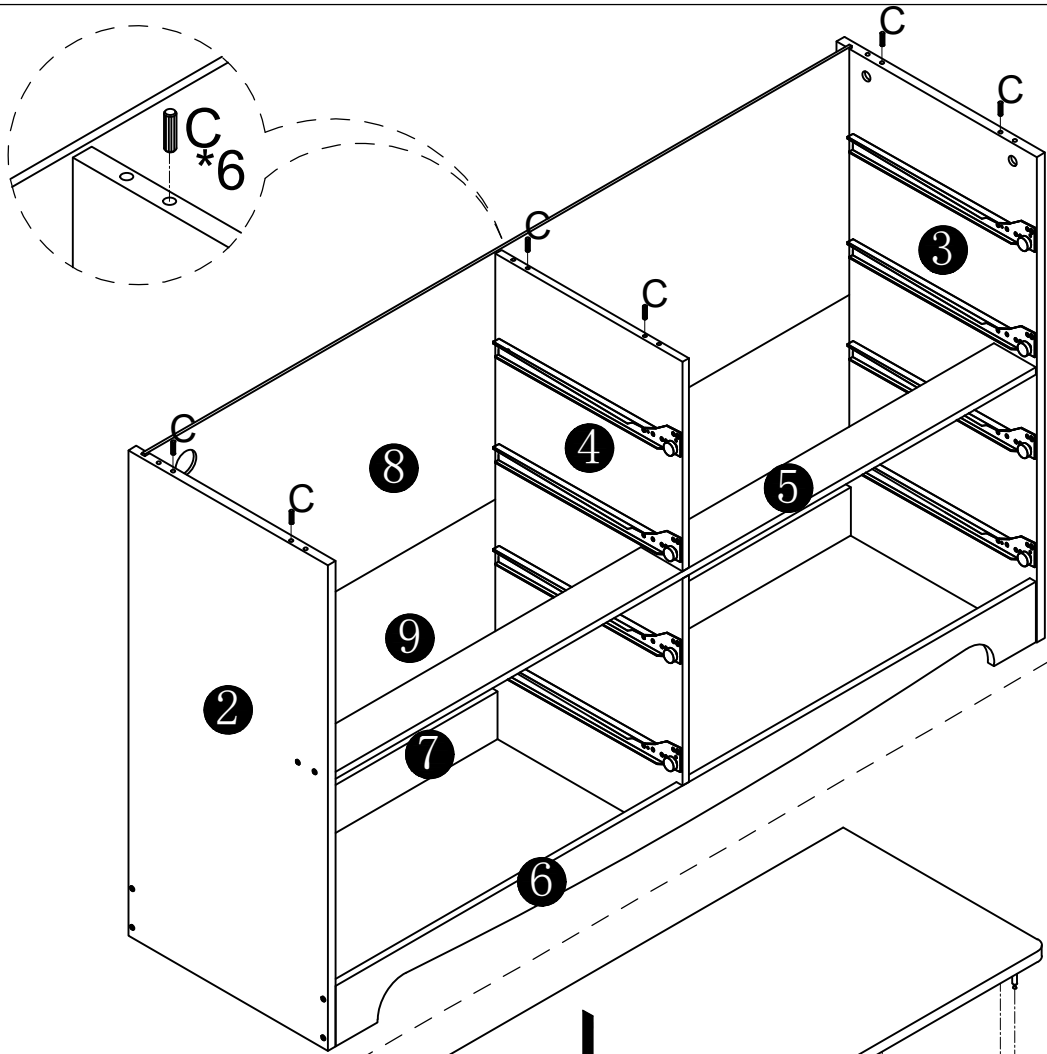
10

Ax6



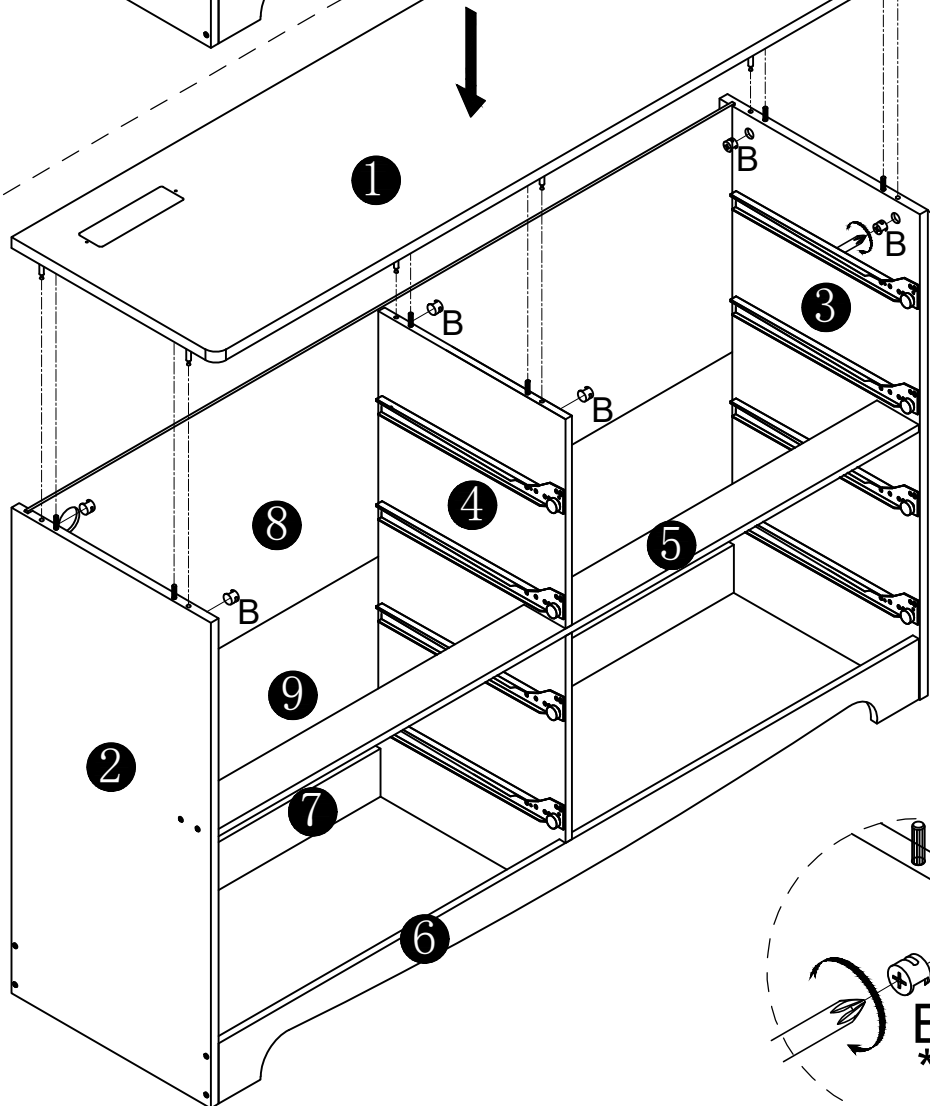
11

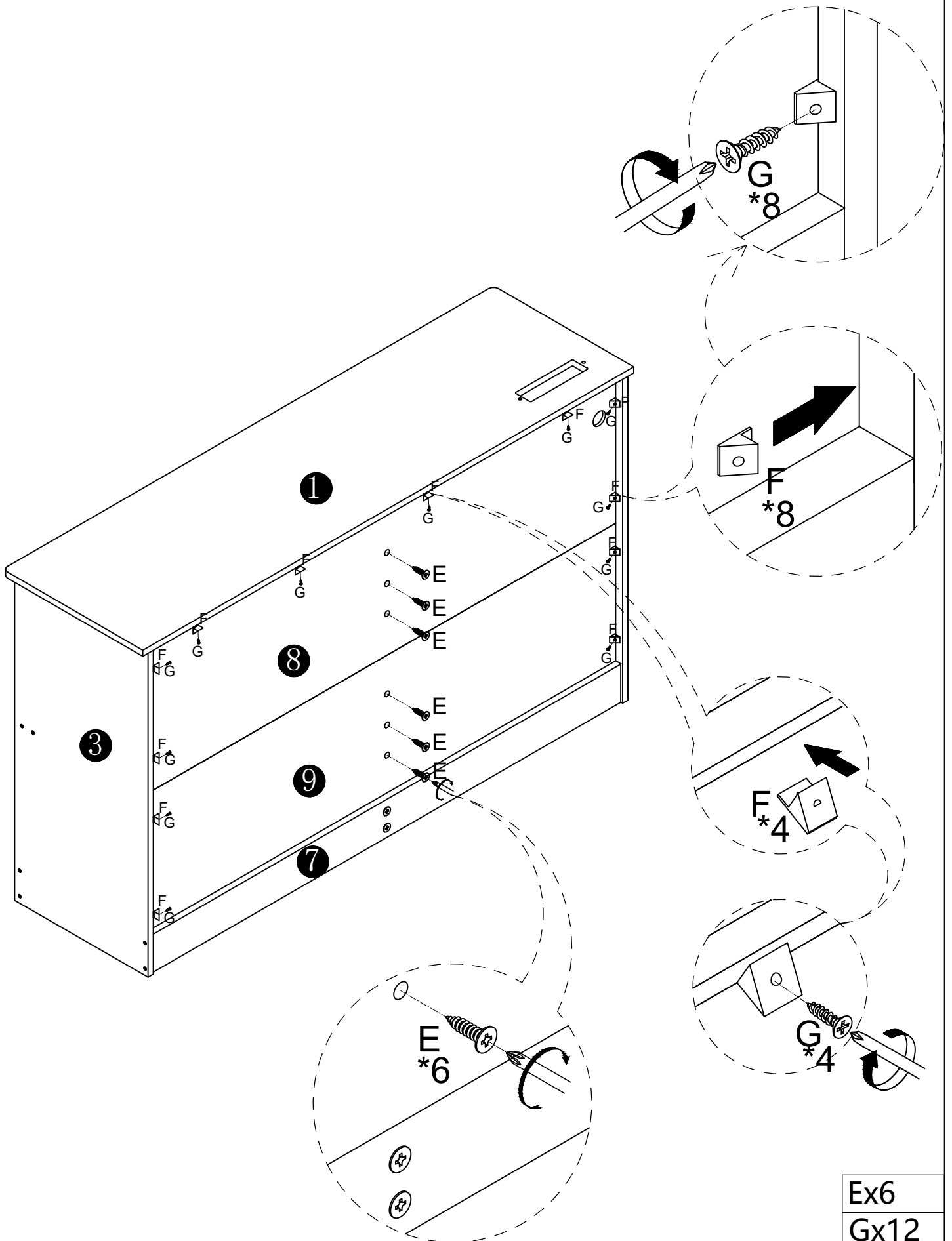
Cx6



12

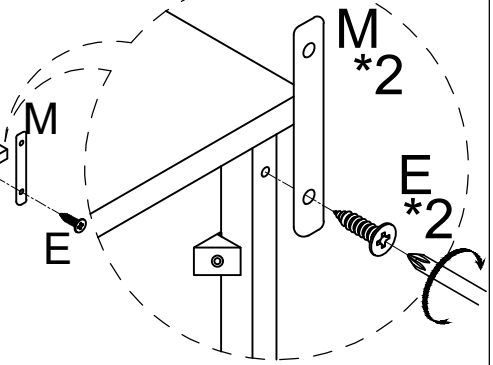
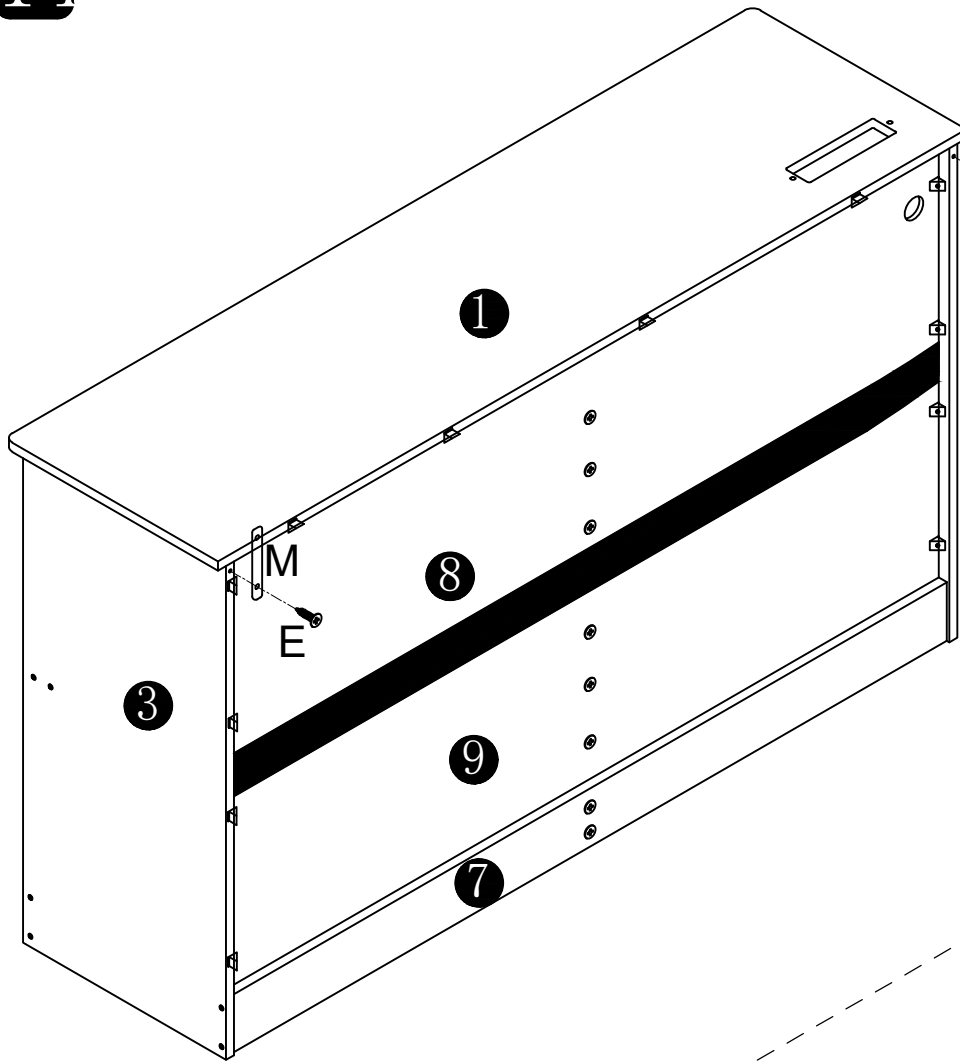
Bx6





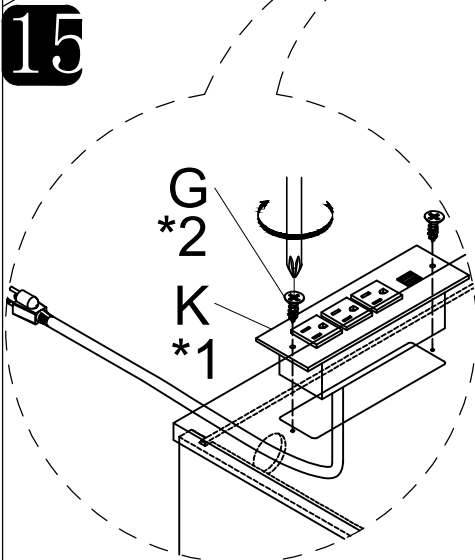
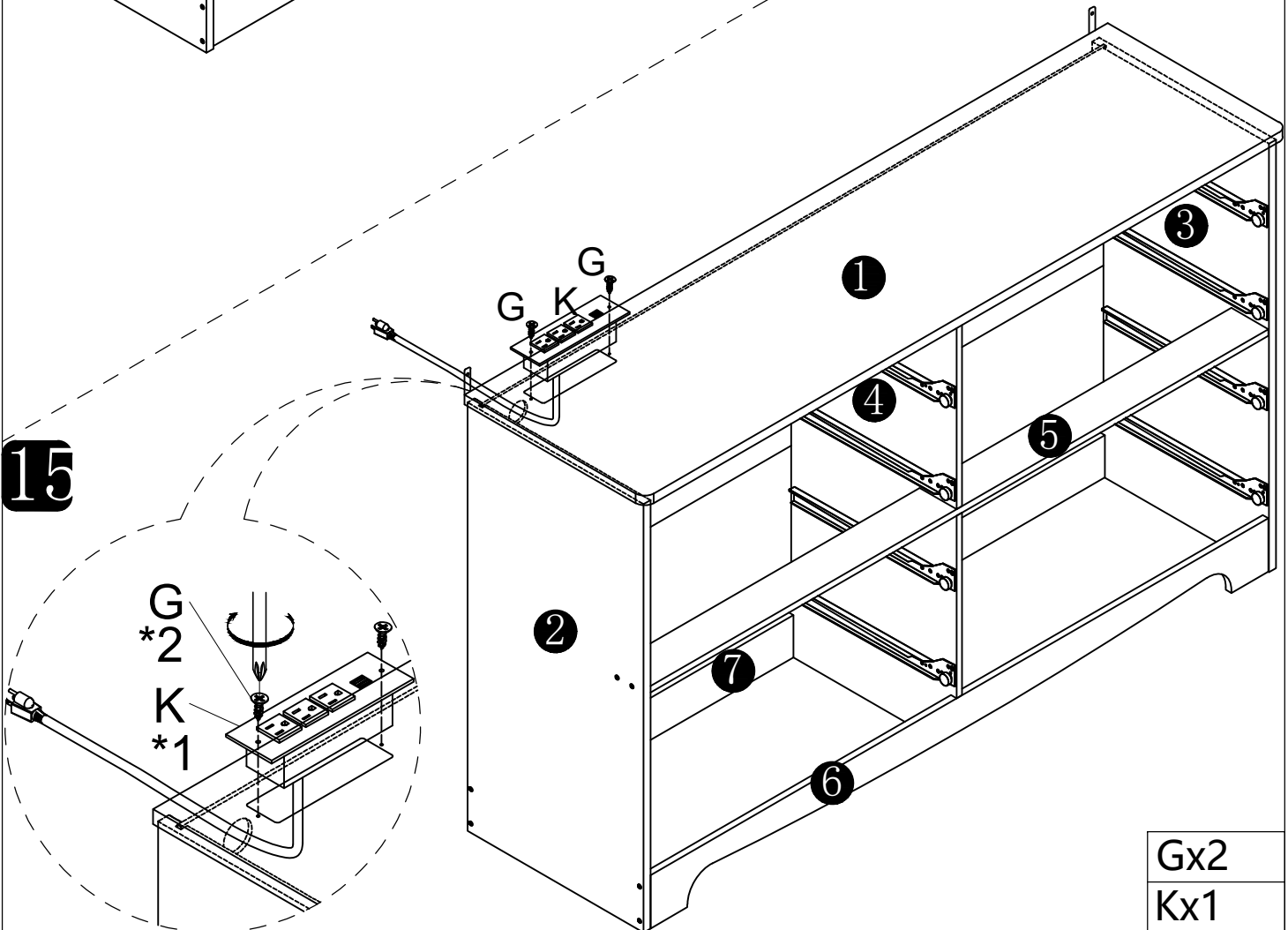
Ex6
Gx12
Fx12

14



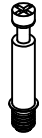
Mx2
Ex2

15



Gx2
Kx1

Drawer



A
*32

6*35mm



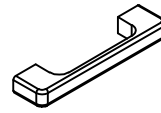
B
*32

15*10mm

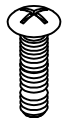


E
*32

3.5*25mm



I
*8



J
*16

4*16mm



H
*32

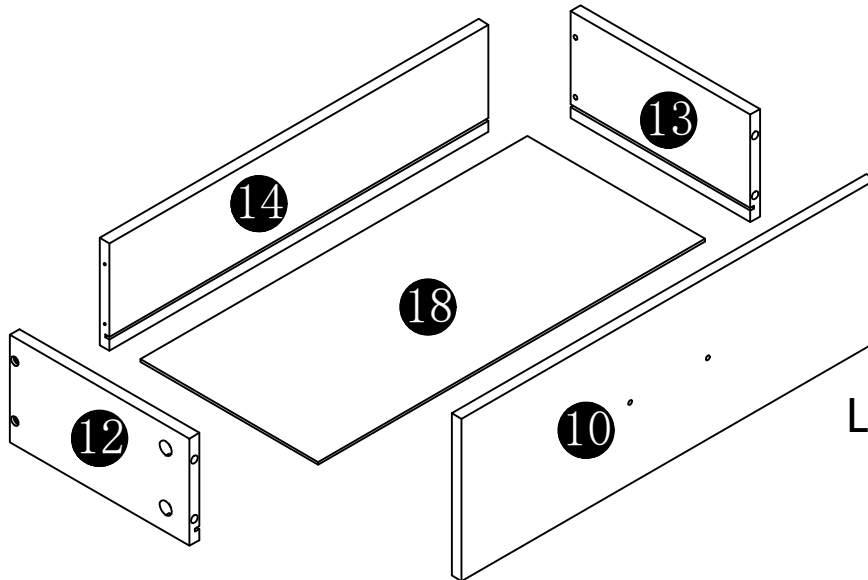
3*10mm



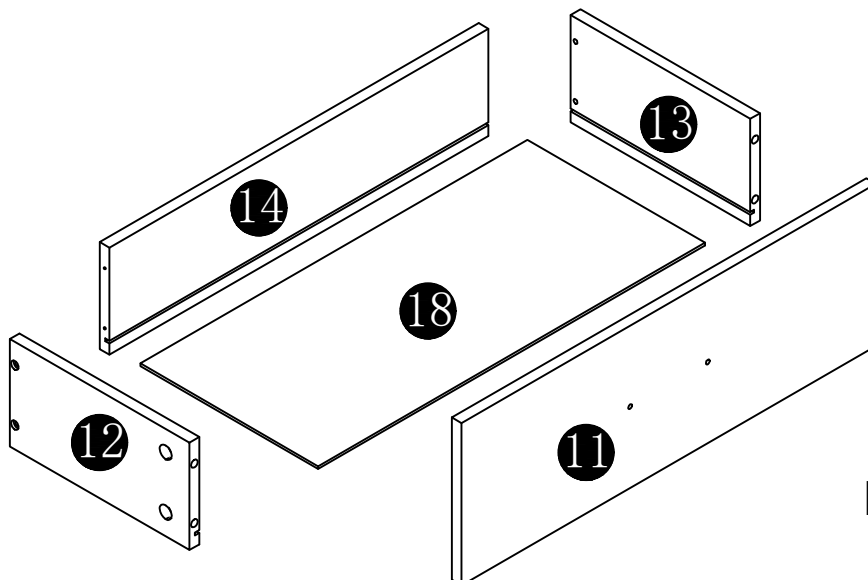
DL
x8
L350mm



DR
x8
L350mm

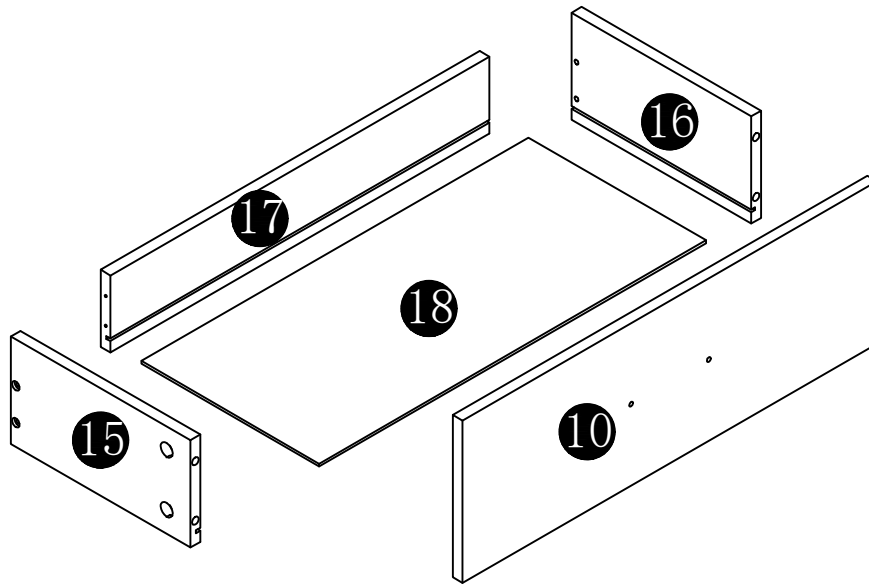


Lower left drawer
x3



Right drawer
x4

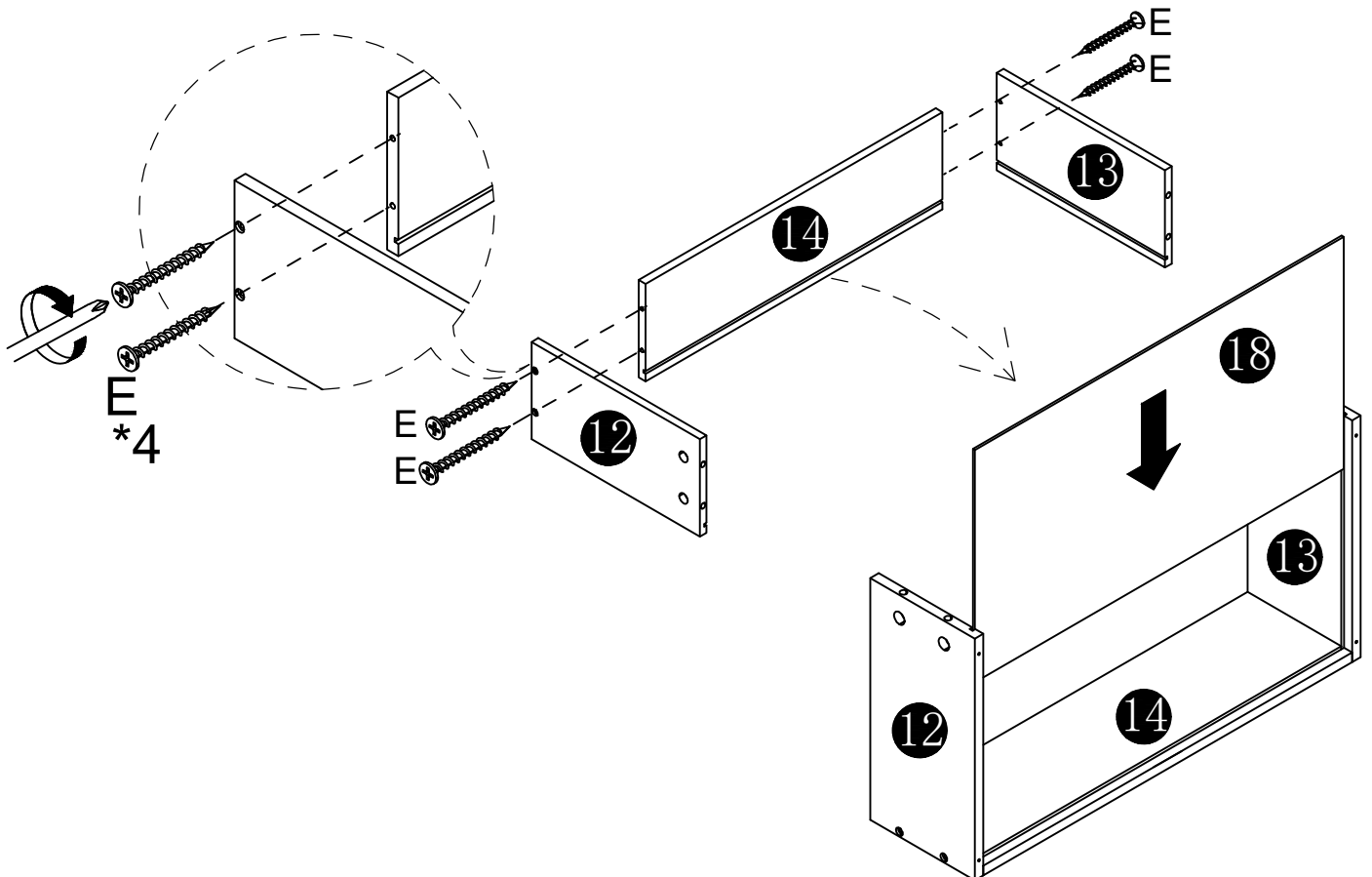
Drawer



Top left drawer
x1

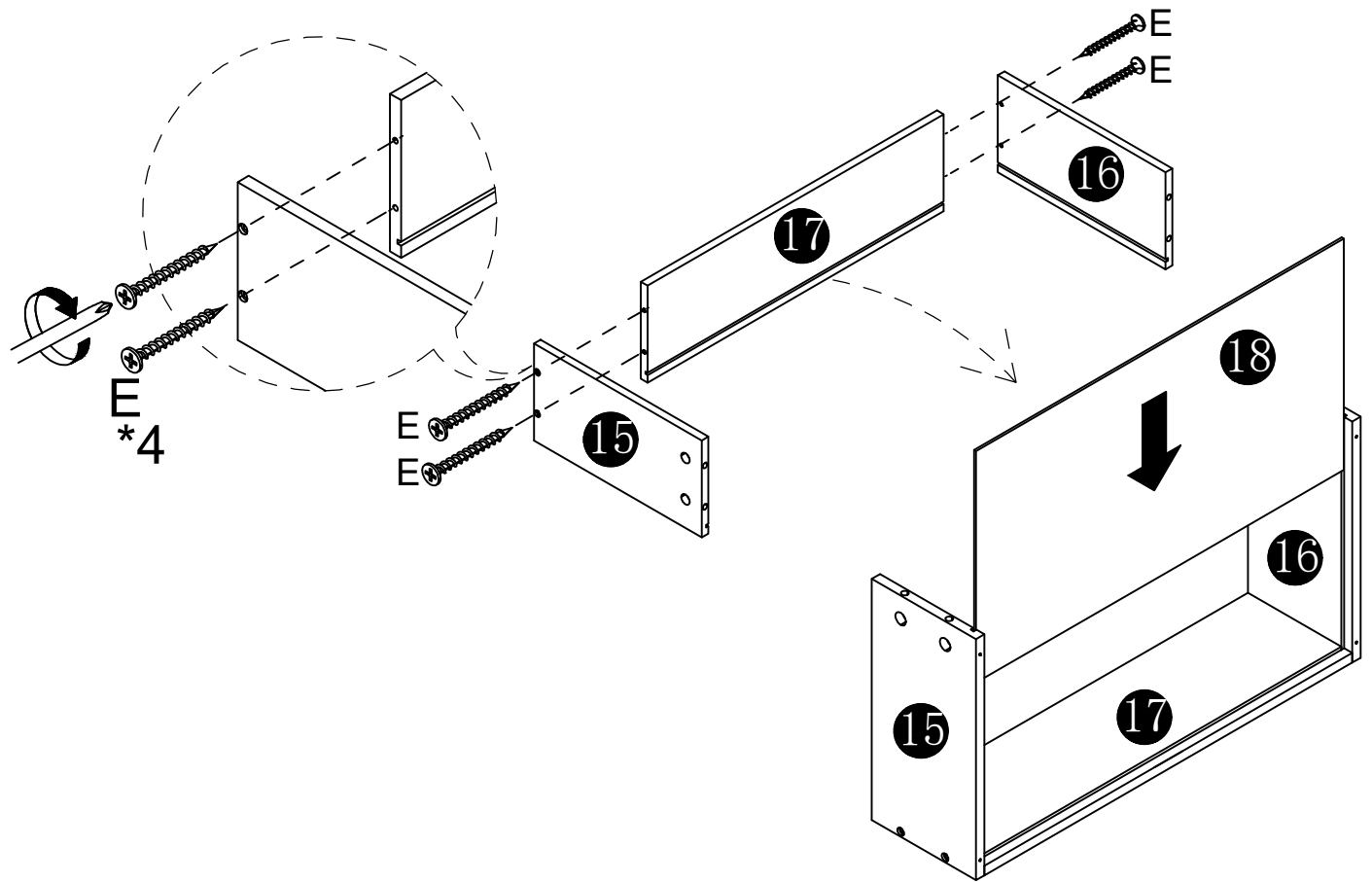
16 x7

Ex4



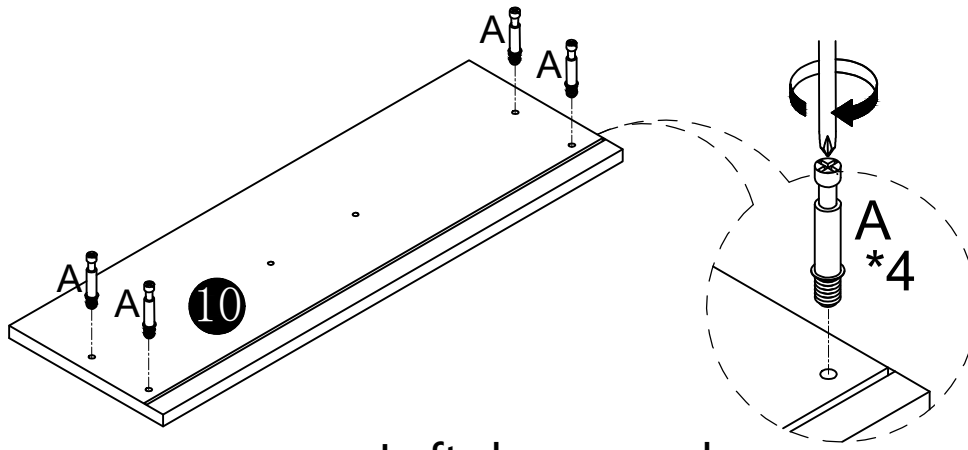
17 x1

Ex4



18 x4

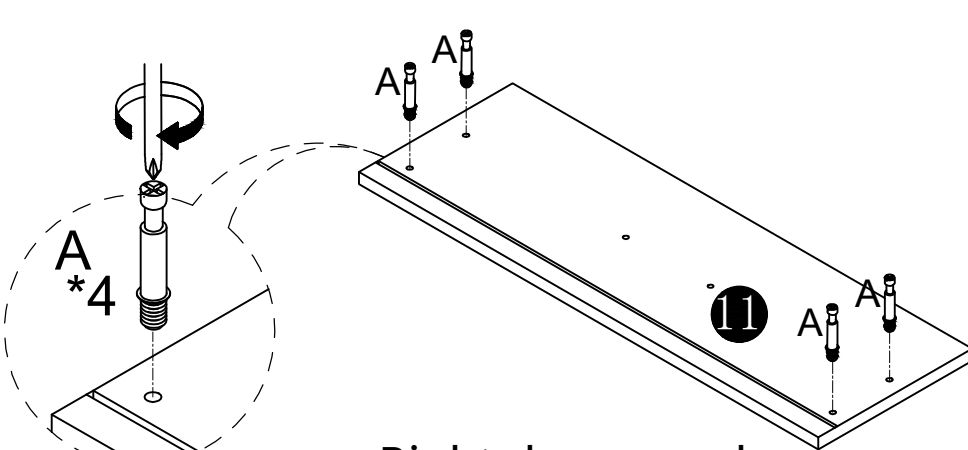
Ax4



Left draw panel

19 x4

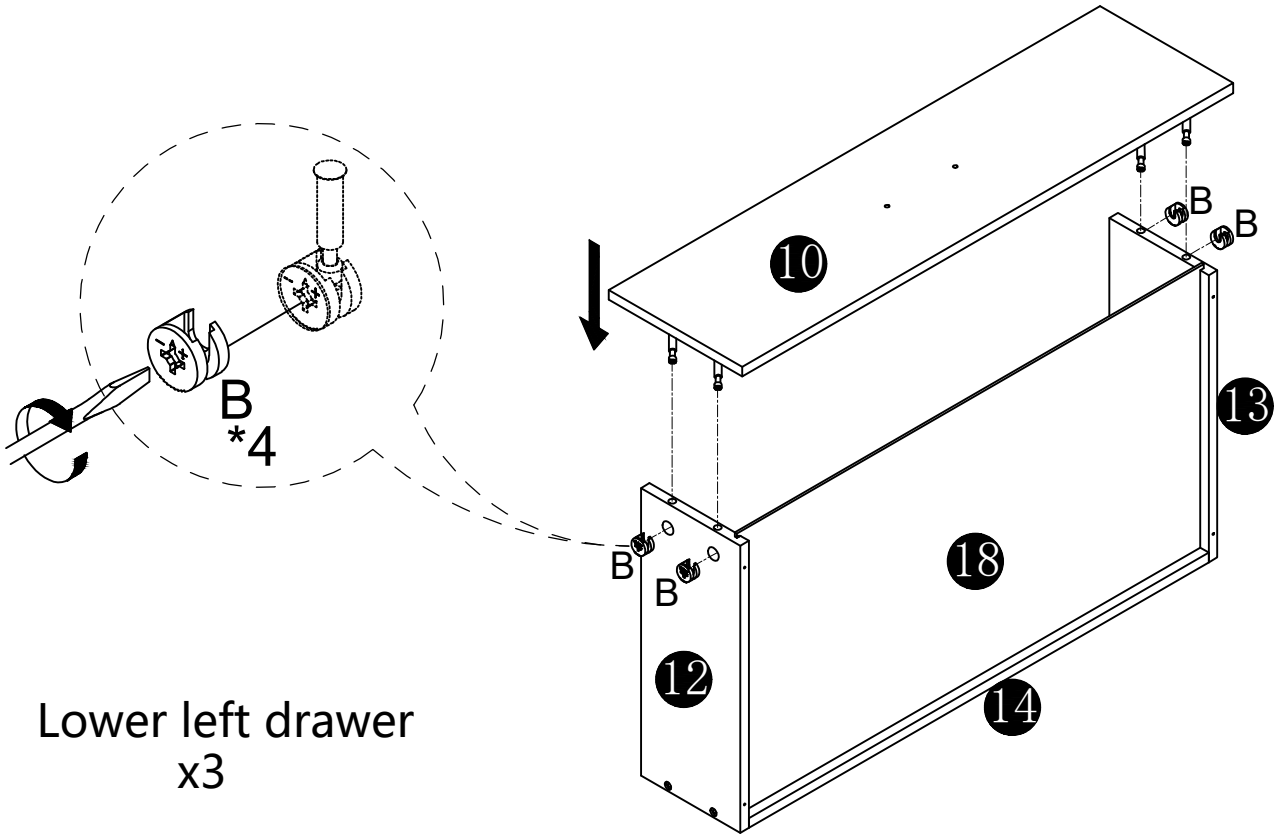
Ax4



Right draw panel

20 x3

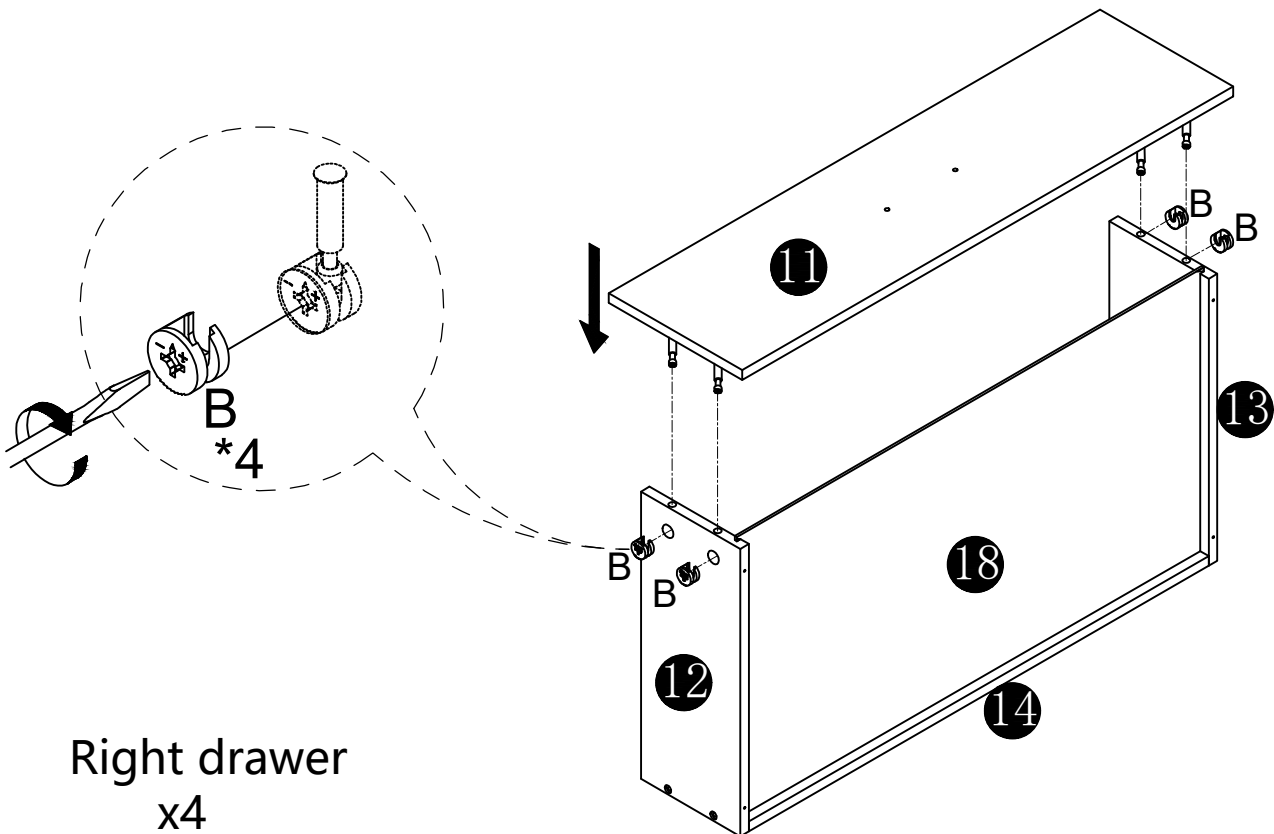
Bx4



Lower left drawer
x3

21 x4

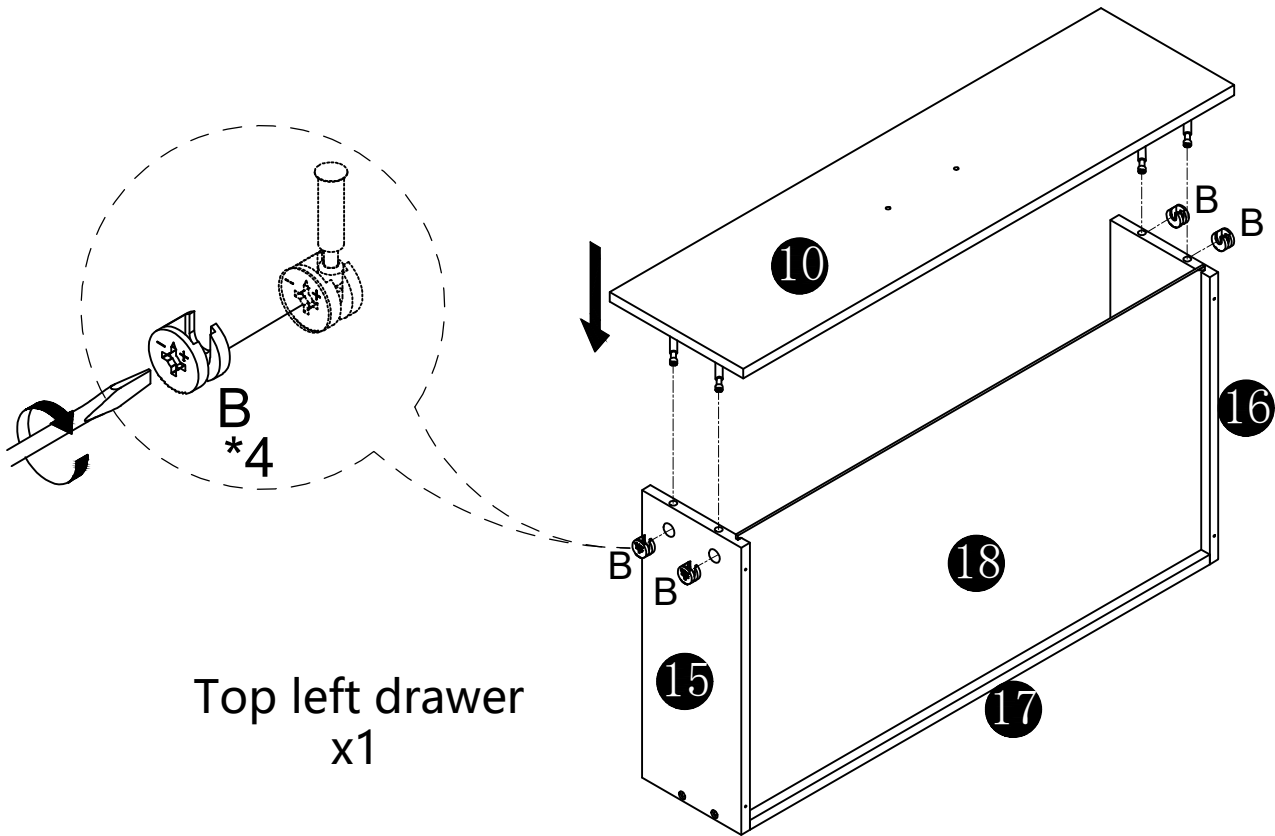
Bx4



Right drawer
x4

22 x1

Bx4

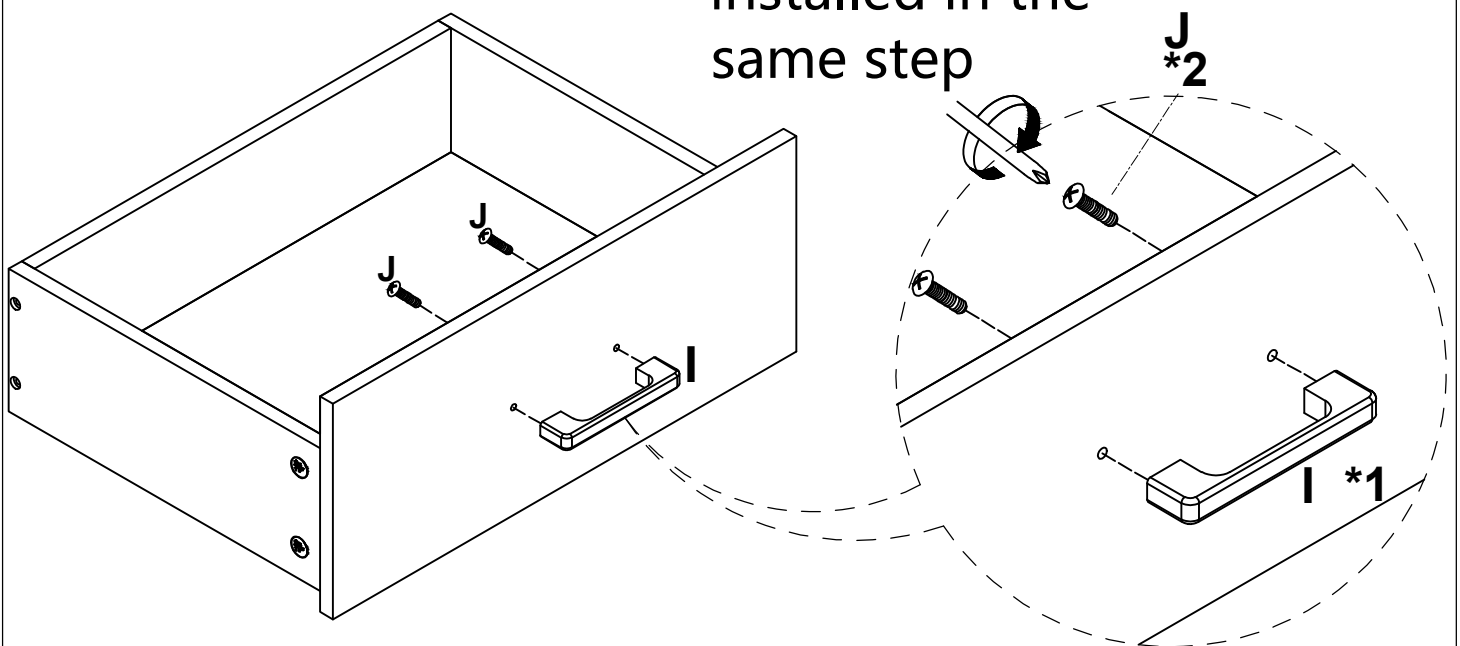


23 x8

Ix1

Jx2

The 8 drawer handles are installed in the same step



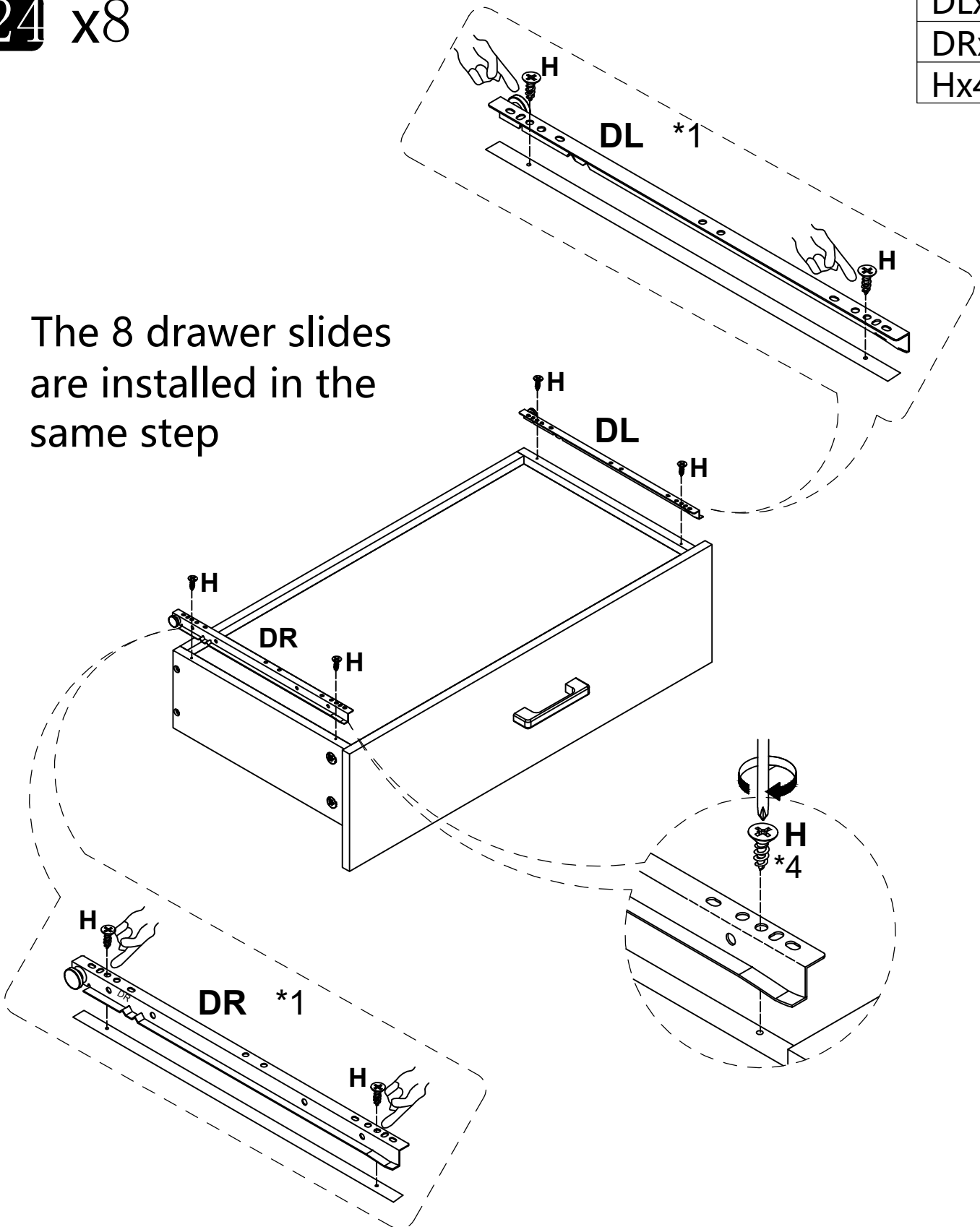
24 x8

DLx1

DRx1

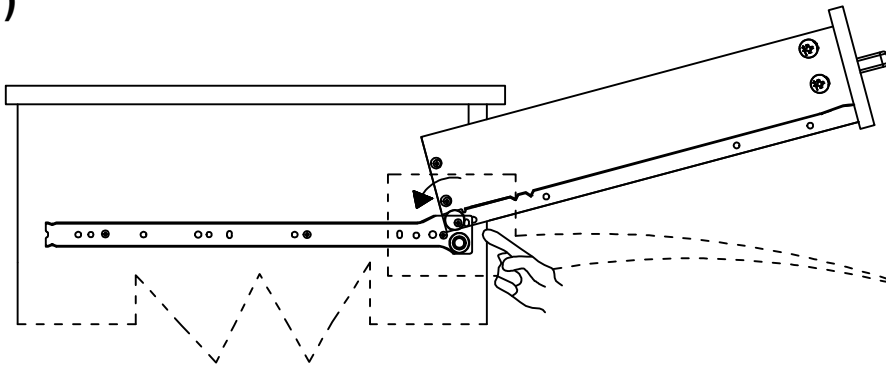
Hx4

The 8 drawer slides are installed in the same step

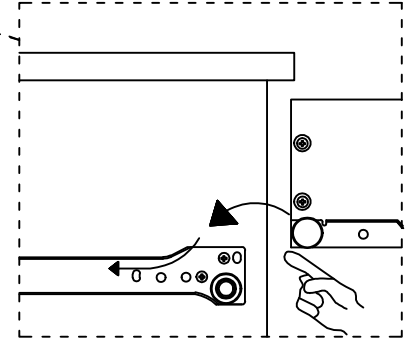
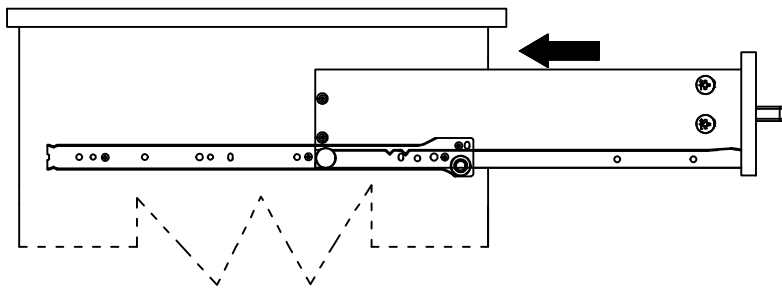


25

(1)

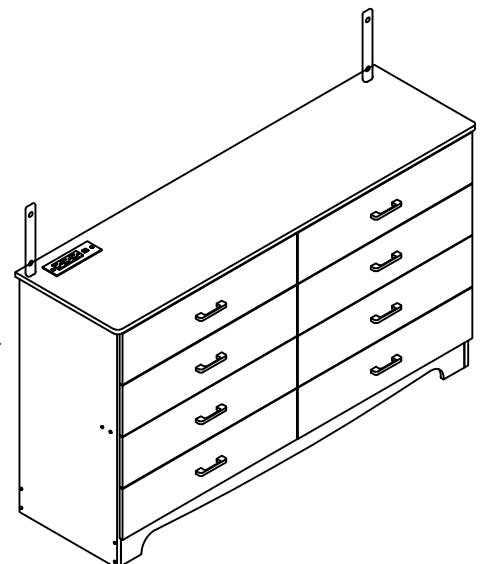
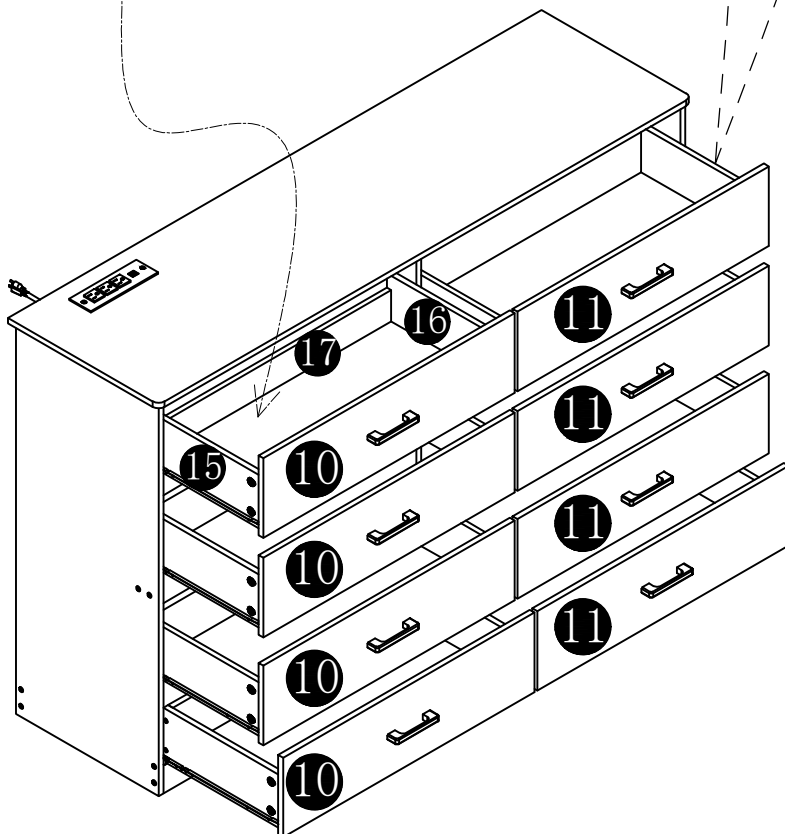


(2)



x8

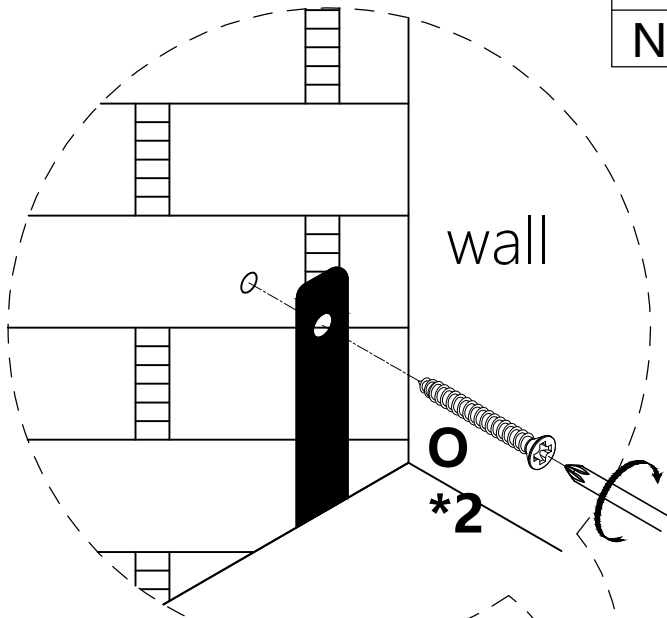
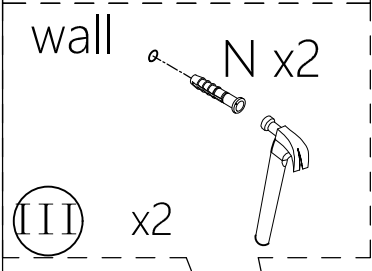
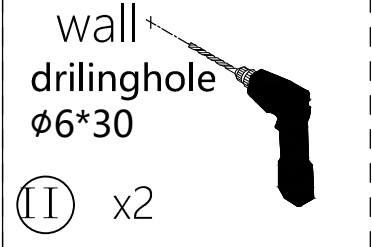
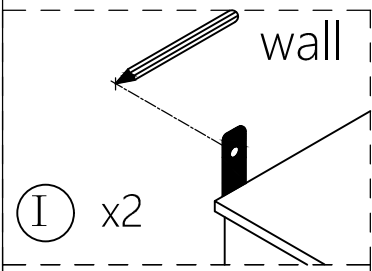
Description: this draw after the board a little shorter



26

Ox2

Nx2



Power supply

