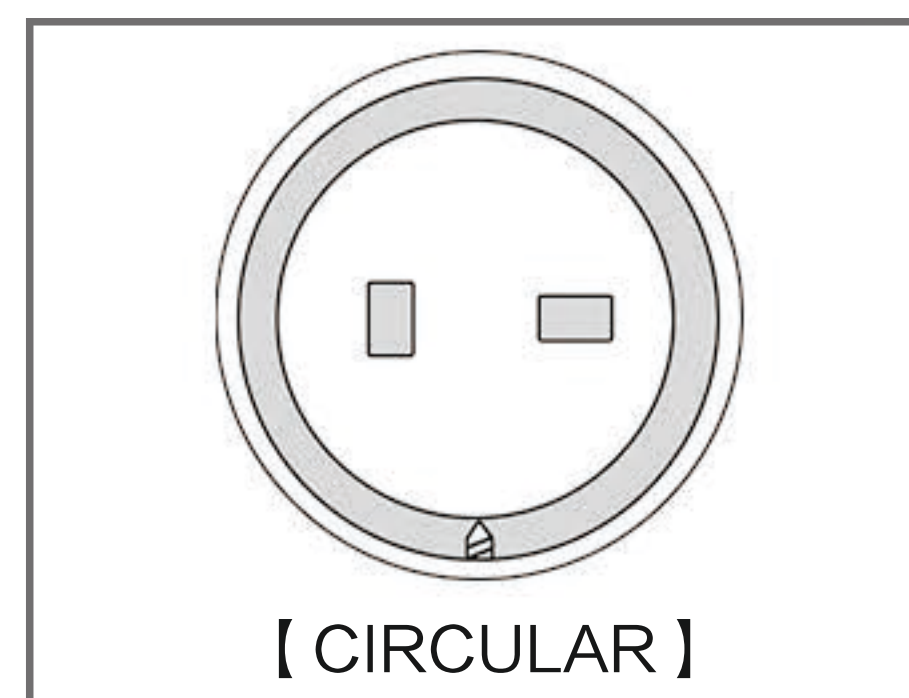
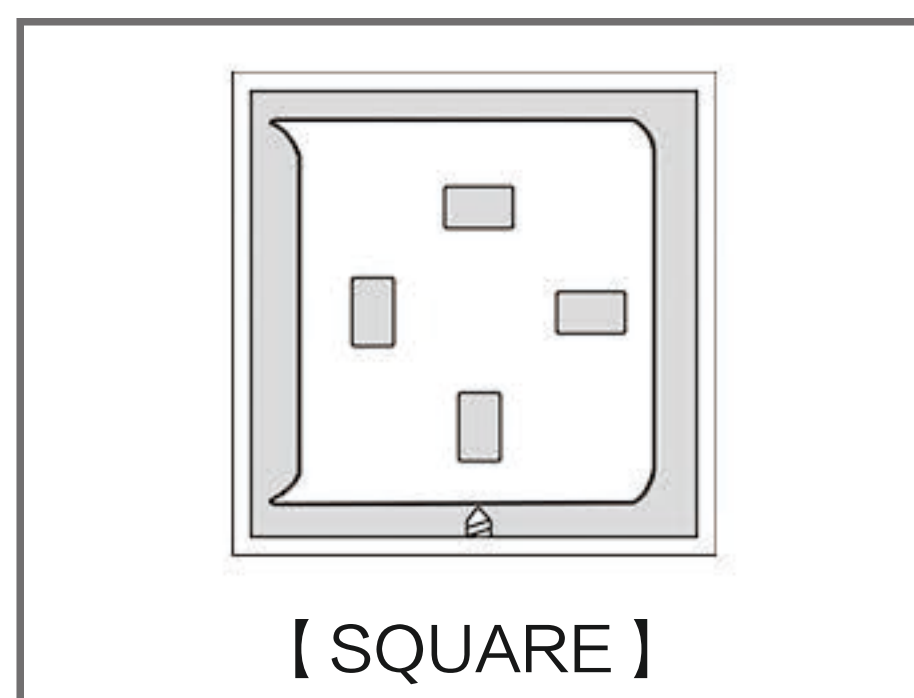
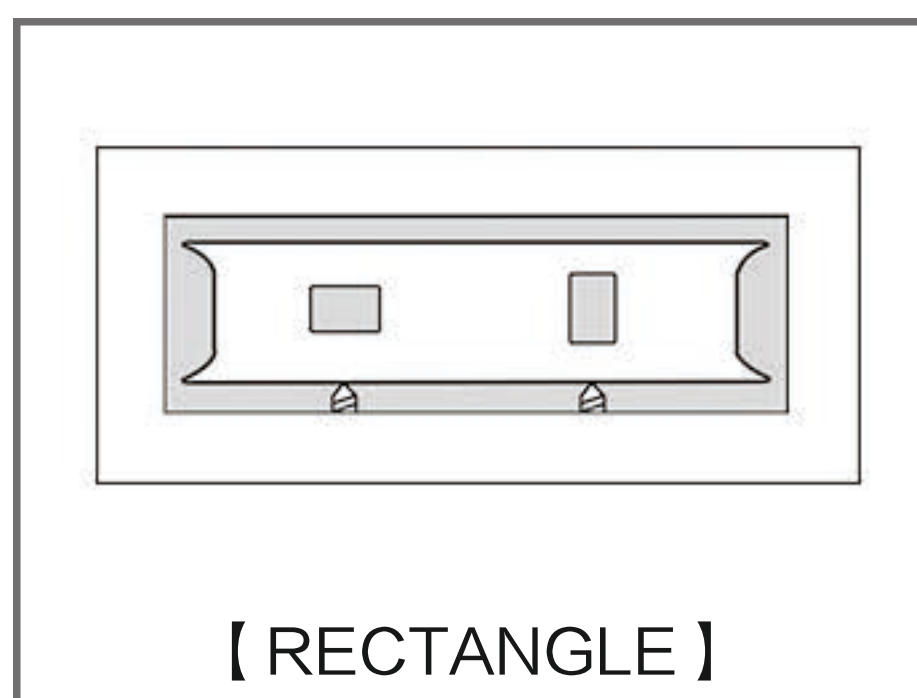
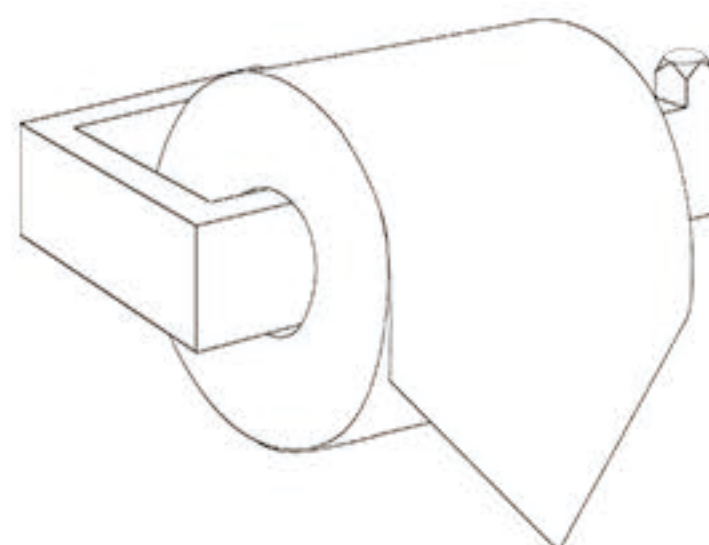


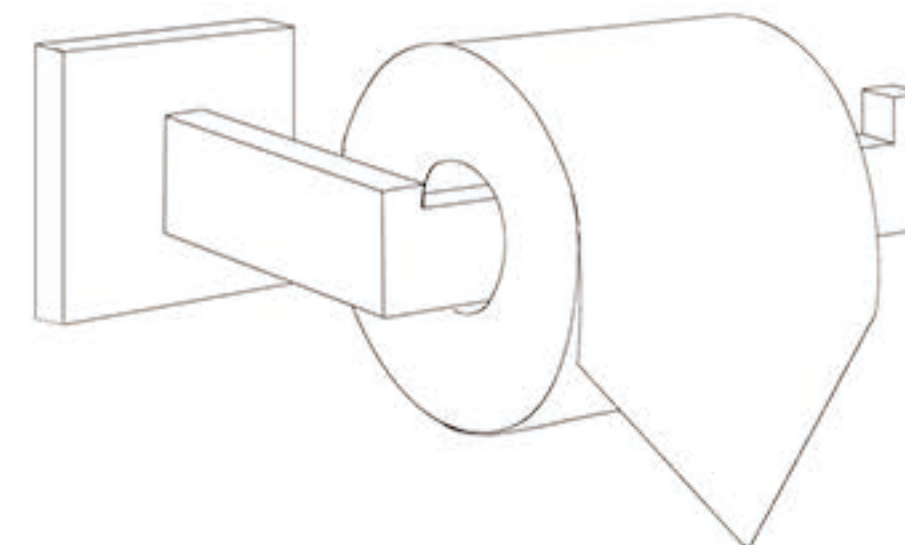
# THE BASE TYPE



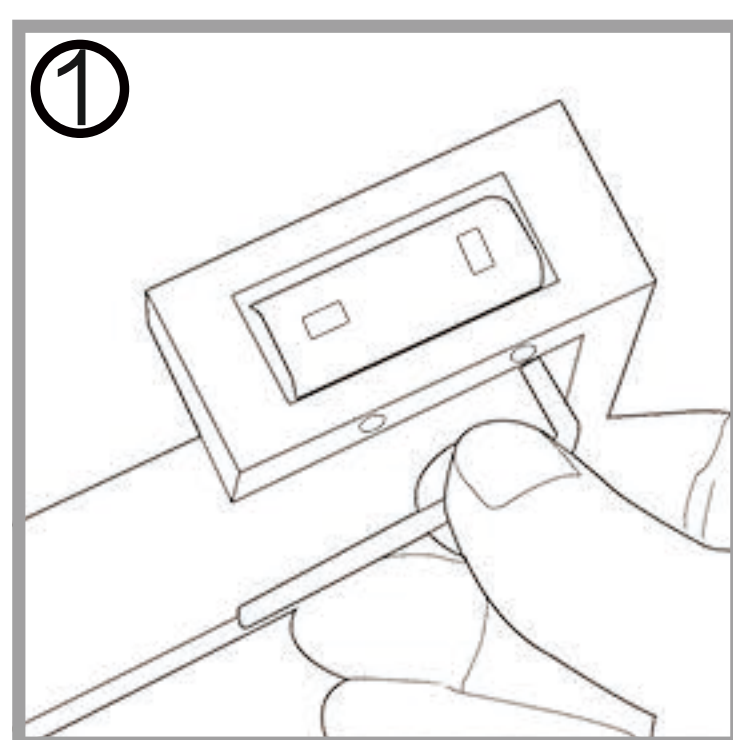
■ CASE 1



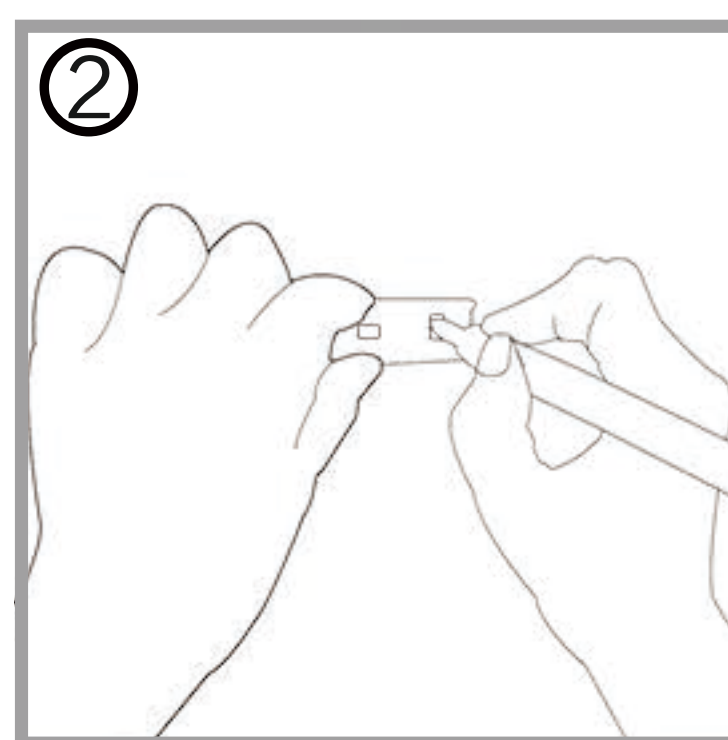
■ CASE 2



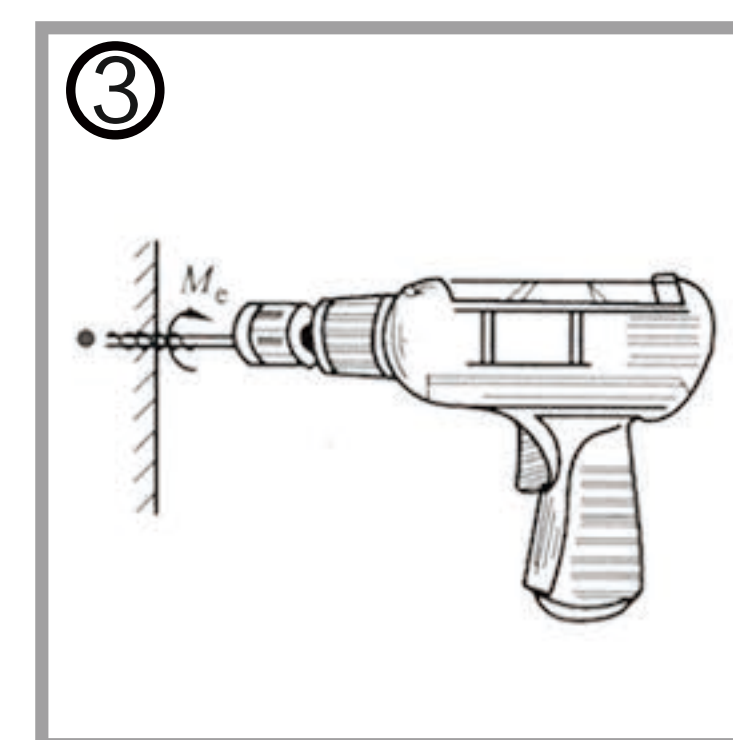
## 【 EN 】 Installation



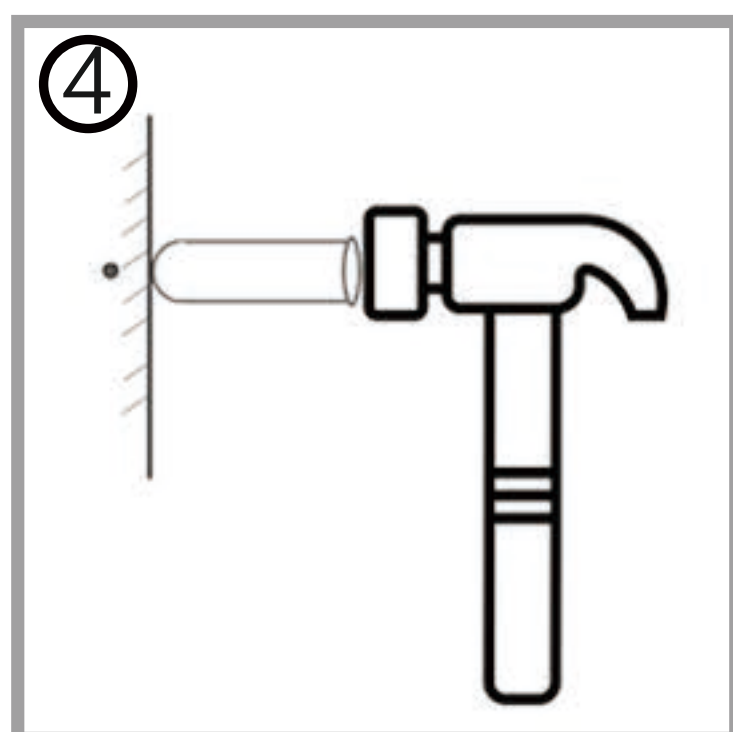
1. Unscrew the gasket on the back.



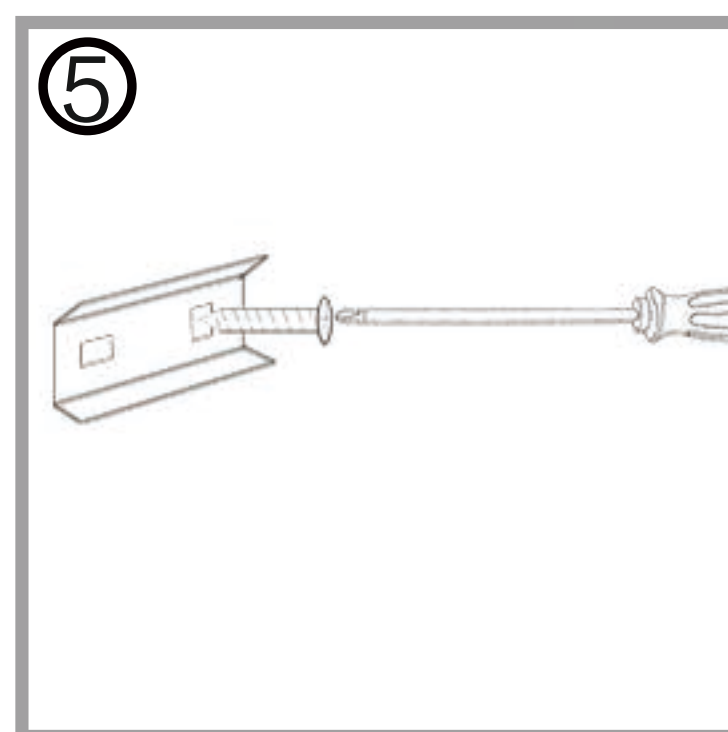
2. Mark the position of the gasket on the wall.



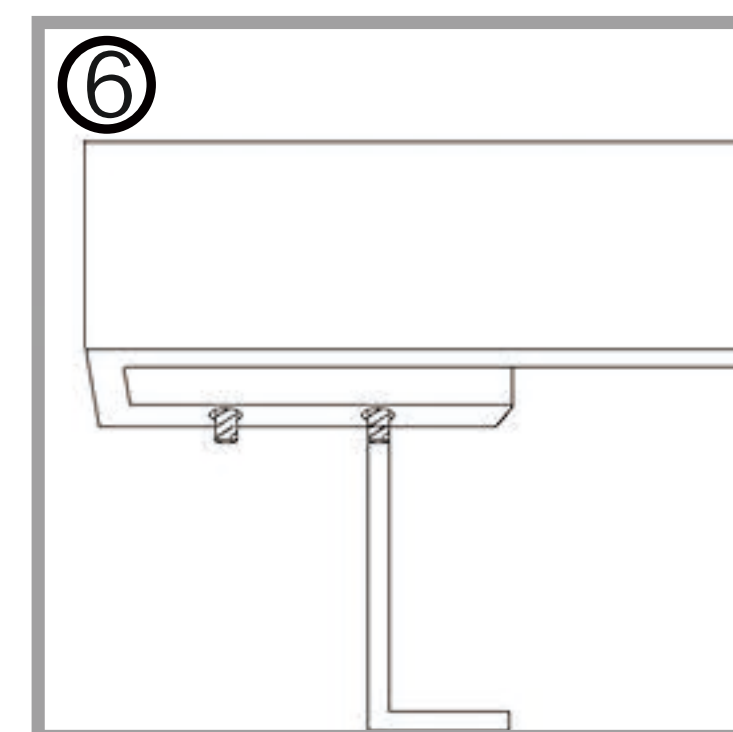
3. Use the M6 bit to drill holes in the marked position.



4. Use the hammer to push the plastic expansion pipe into the holes.



5. Tighten the screws with screwdriver and fix the gasket.



6. Place the product base in the gasket position, Screw the base position with wrench installation completed.