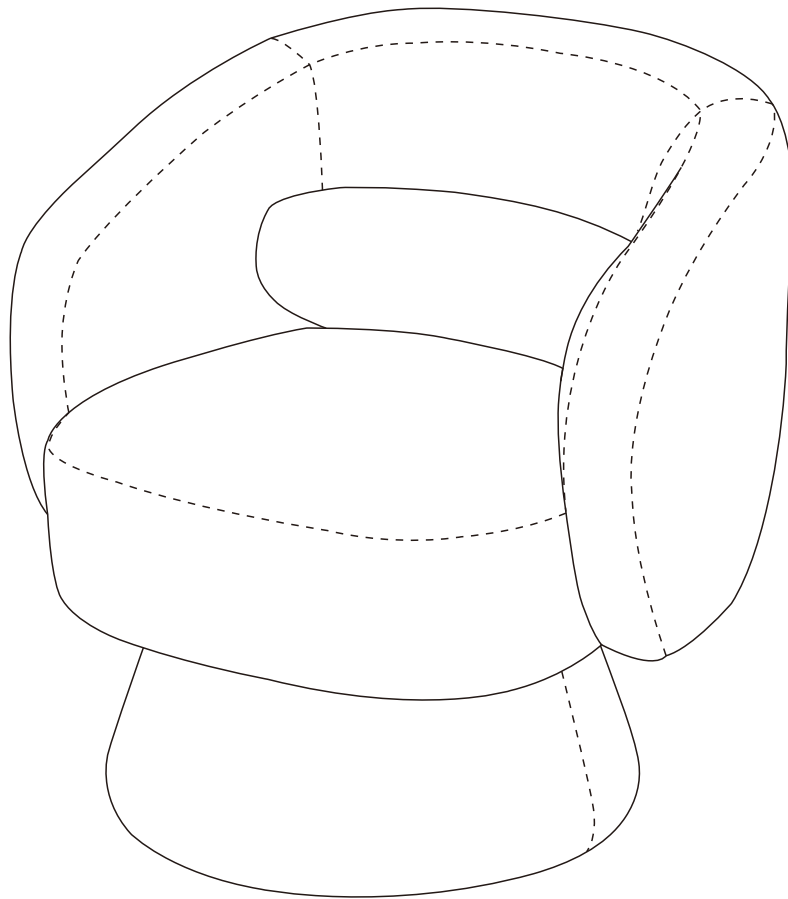


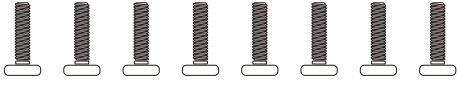
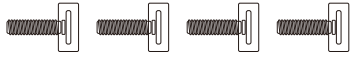

TIME ON THE SOFA CHAIR

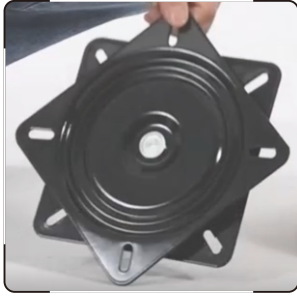


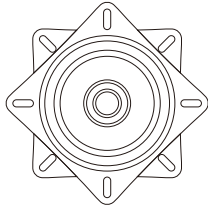
**SOFA CHAIR
ASSEMBLY INSTRUCTIONS**

BILL OF MATERIALS CORRESPONDENCE TABLE



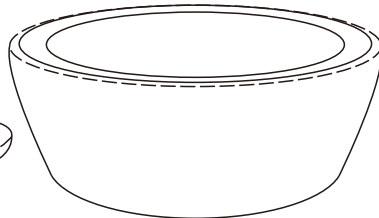
- A**  **SCREW**
(8PCS)
- B**  **LEVELING FEET**
(4PCS)
- C**  **ALLEN WRENCH**
(1PCS)



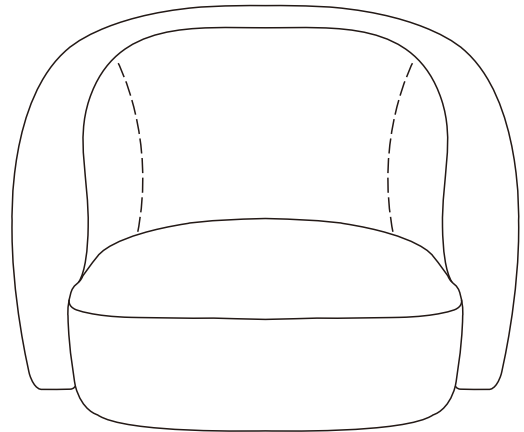
- D**  **SWIVEL PLATE**
(1PCS)



1
PILLOW
(1PCS)



2
SEAT CUSHION
(1PCS)

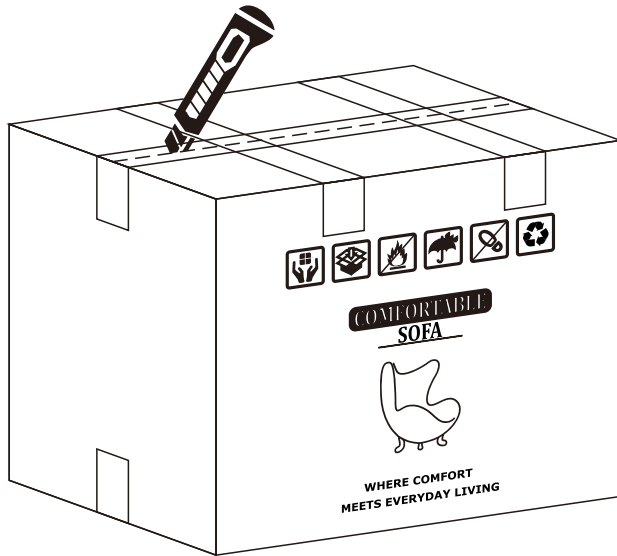


3
BACK CUSHION
(1PCS)

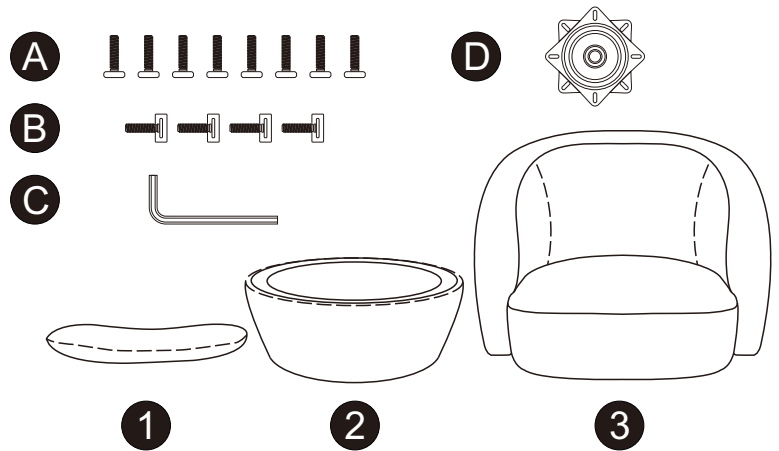
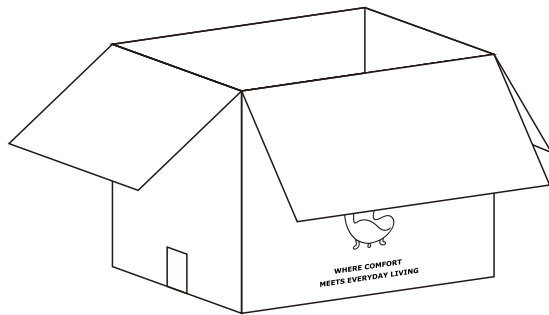


 Please install in a clean environment to avoid soiling the fabric.

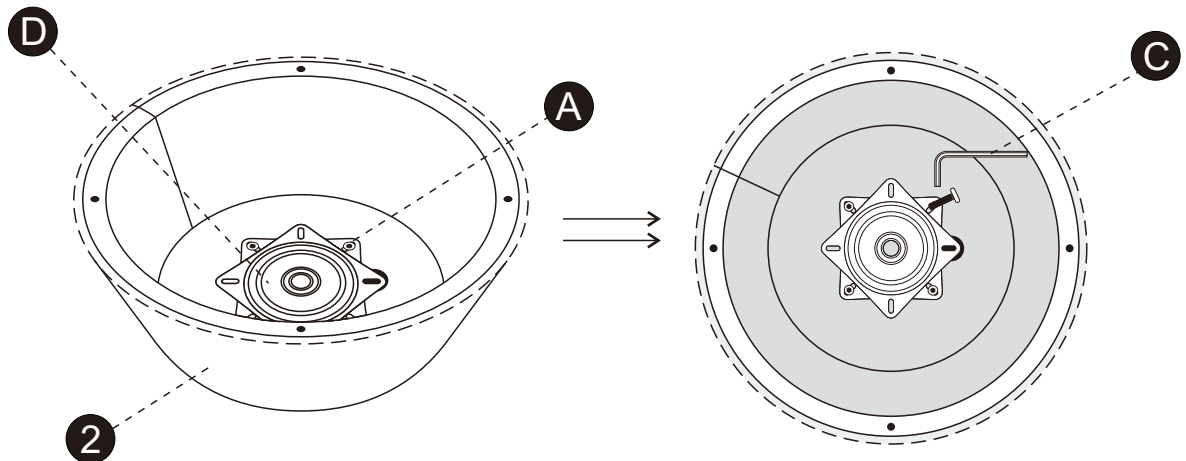
steps
01



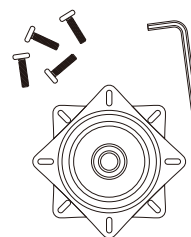
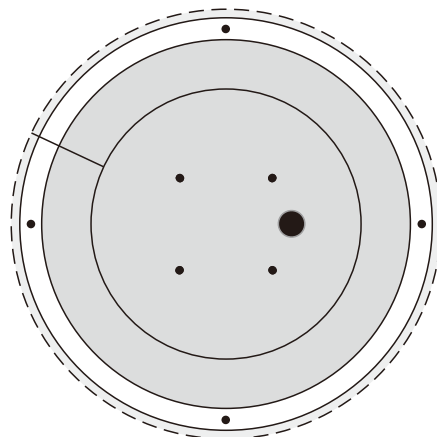
Open the packing box, take out all the sofas chairs and accessories in the packing box and put them on the ground.



steps
02



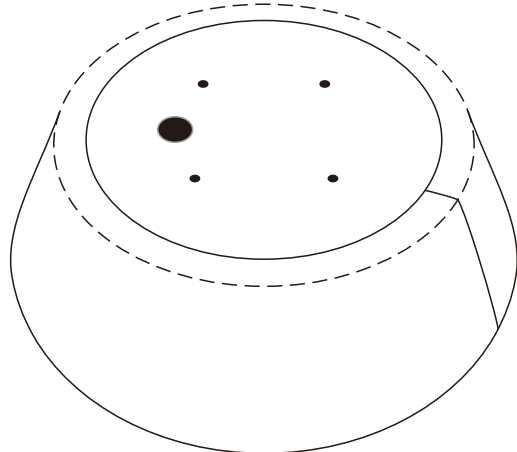
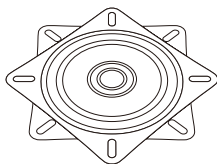
Turn the bottom of 2 (SEAT CUSHION) up and use C (ALLEN WRENCH) to take off the A (SCREW) on D (SWIVEL PLATE).



Set the accessories aside.

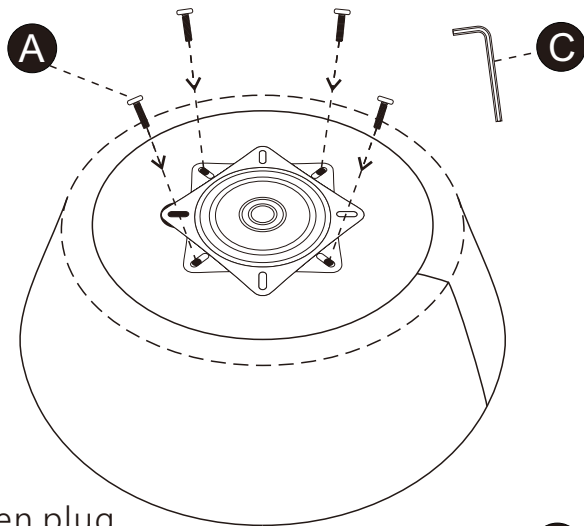
steps
03

D

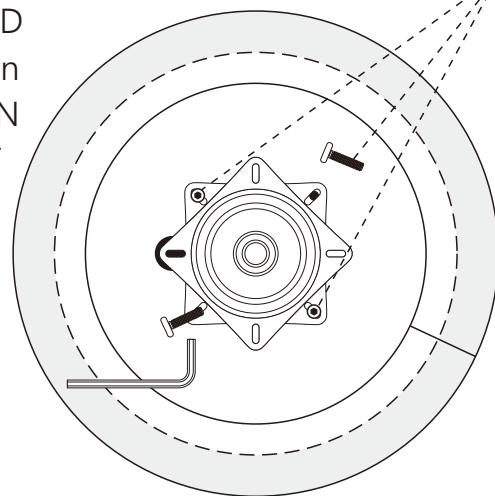


2

Face the bottom of 2(SEAT CUSHION) down, put D(SWIVEL PLATE) on 2(SEAT CUSHION), align the screw hole of D (SWIVEL PLATE) with the screw hole of 2 (SEAT CUSHION), then plug A(SCREW) into the screw holes of 2(SEAT CUSHION) and D (SWIVEL PLATE), tighten A(SCREW) with C(ALLEN WRENCH) to fix 2(SEAT CUSHION) and D (SWIVEL PLATE) firmly.

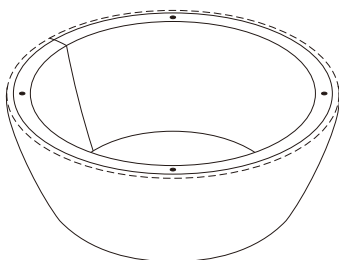


A

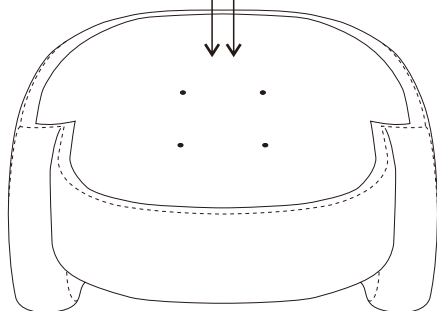


steps
04

2

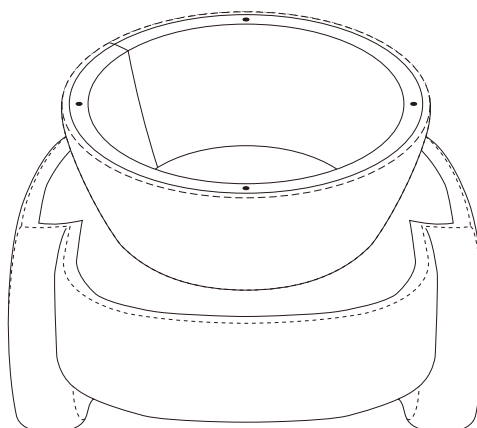


Put 2(SEAT CUSHION) on the inverted 3(BACK CUSHION).



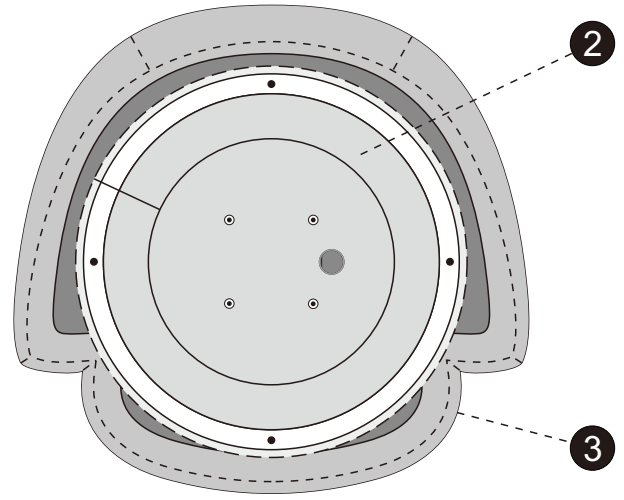
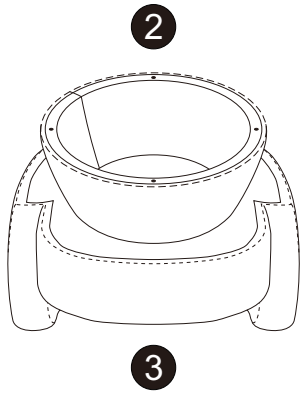
3

2

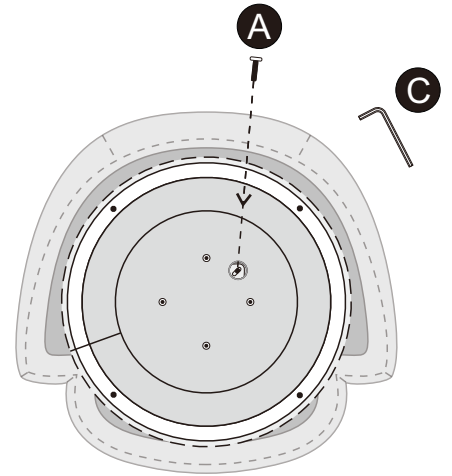
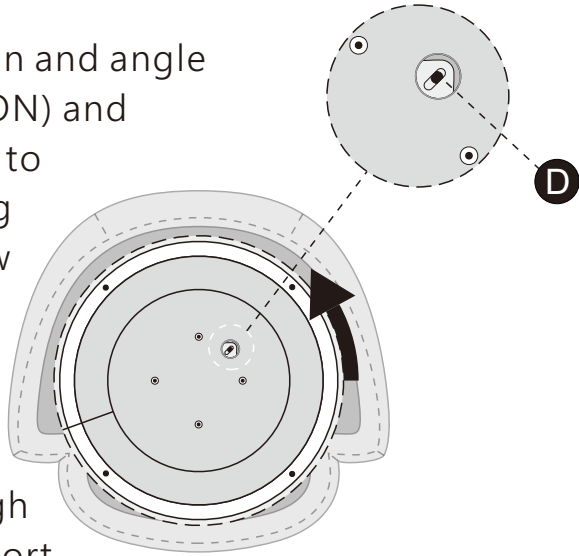


3

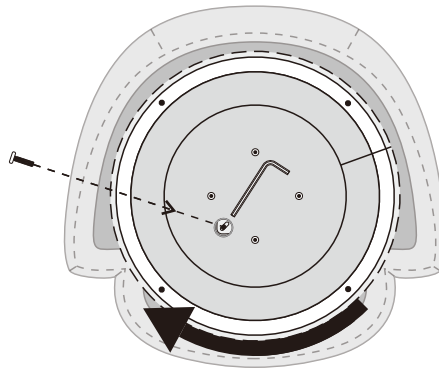
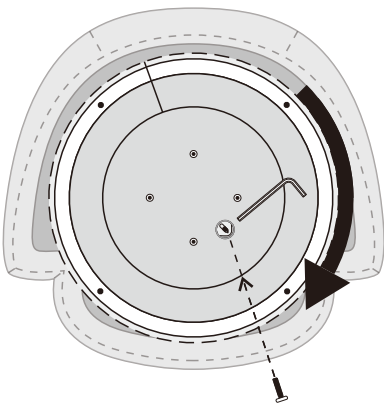
Flip 180°



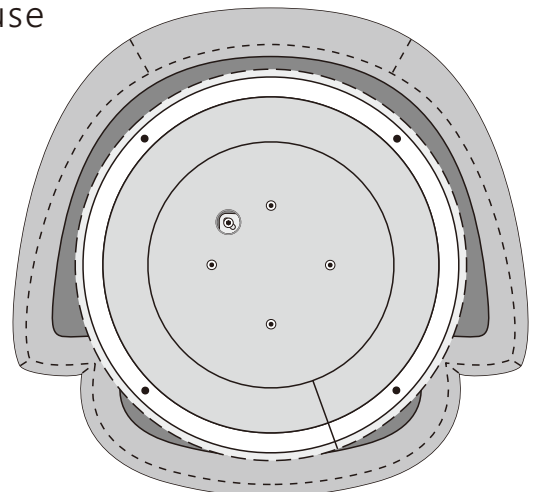
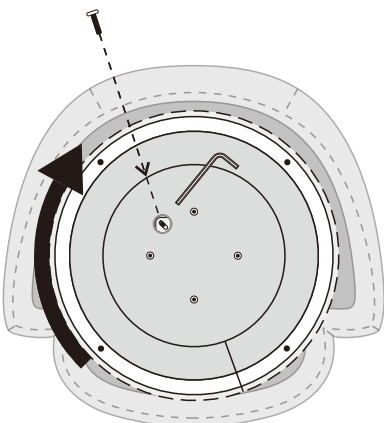
Adjust the position and angle of 2 (SEAT CUSHION) and D (SWIVEL PLATE) to facilitate checking whether the screw hole of D (SWIVEL PLATE) is aligned with the screw hole of 3 (BACK CUSHION) through the observation port.



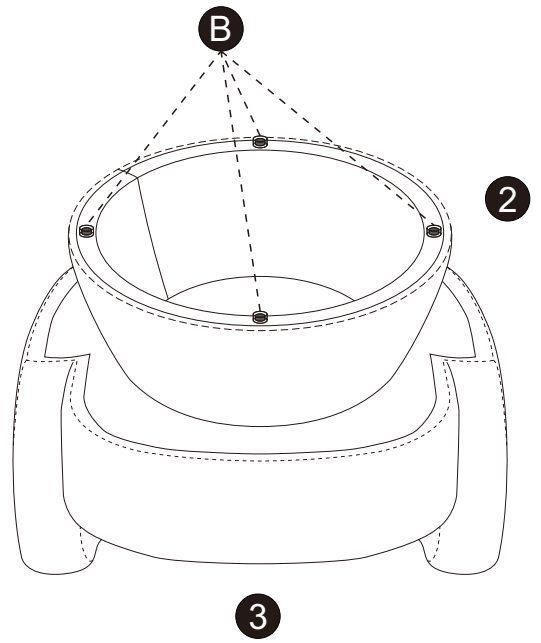
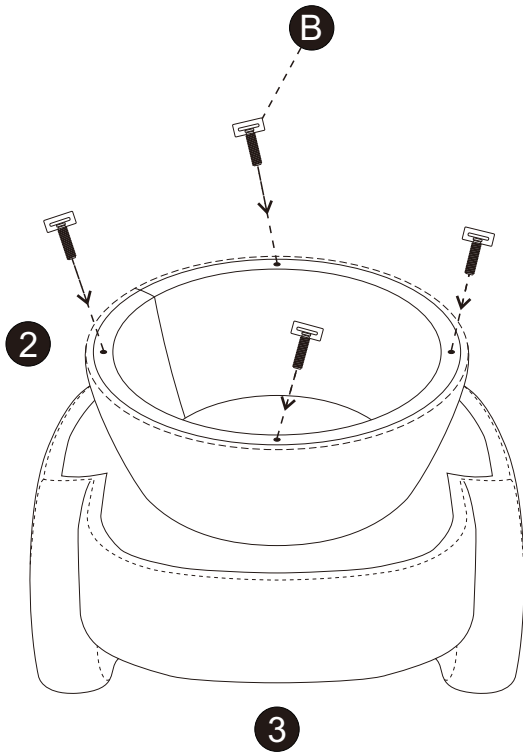
When the screw hole of D (SWIVEL PLATE) is aligned with the screw hole of 3 (BACK CUSHION), insert A (SCREW), twist A (SCREW) with C (WREN ALLEN CH) a few times to temporarily fix it.



Then continue to use this method to temporarily fix the remaining A (SCREW), and finally fix all A (SCREW) firmly.

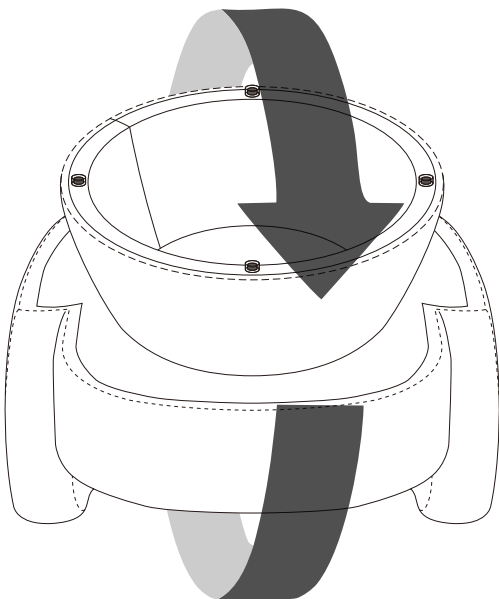


steps
06

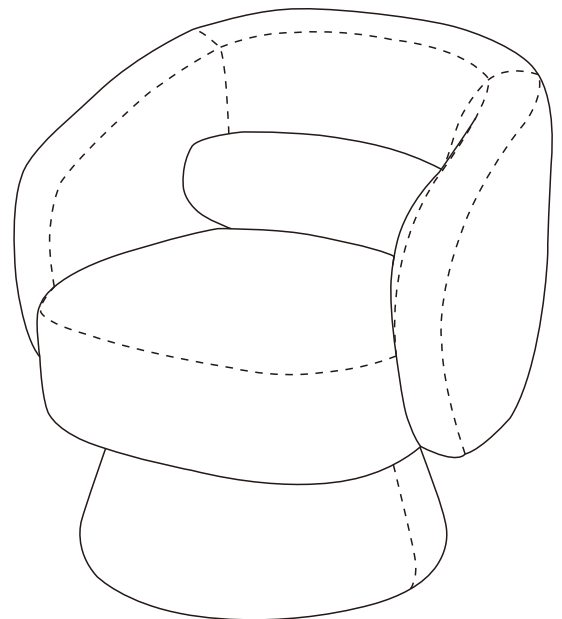


Twist B (LEVELING FEET) into the nut hole.

steps
07



Flip the sofa chair over.



**COMPLETE
THE INSTALLATION**

NOTICE

1. Please retain these instructions for future reference.
2. Do not stand on or use any part of this item as a step ladder.
firmly secure all bolts, screws.
3. These chairs are designed to seat one person only per chair.
4. Do not use the chair unless all the bolts and screws are finally tightened.
5. At least every four months, please check all bolts and screws to make sure they are securely tightened.
6. If any parts are missing, broken, damaged or worn, stop using this product immediately until repairs are made.
7. Do not use this item in a way inconsistent with the manufacturer's instructions as this could void the product warranty.
8. Failure to follow these warnings could result in serious injury.