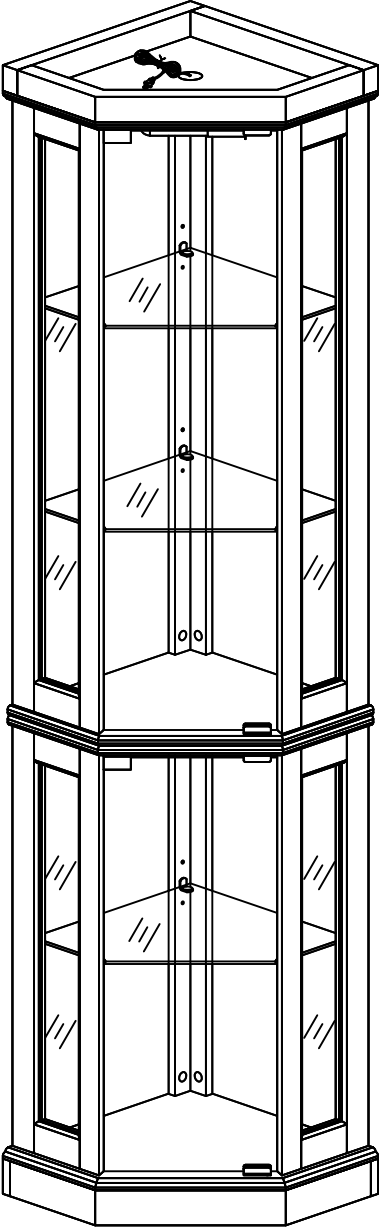
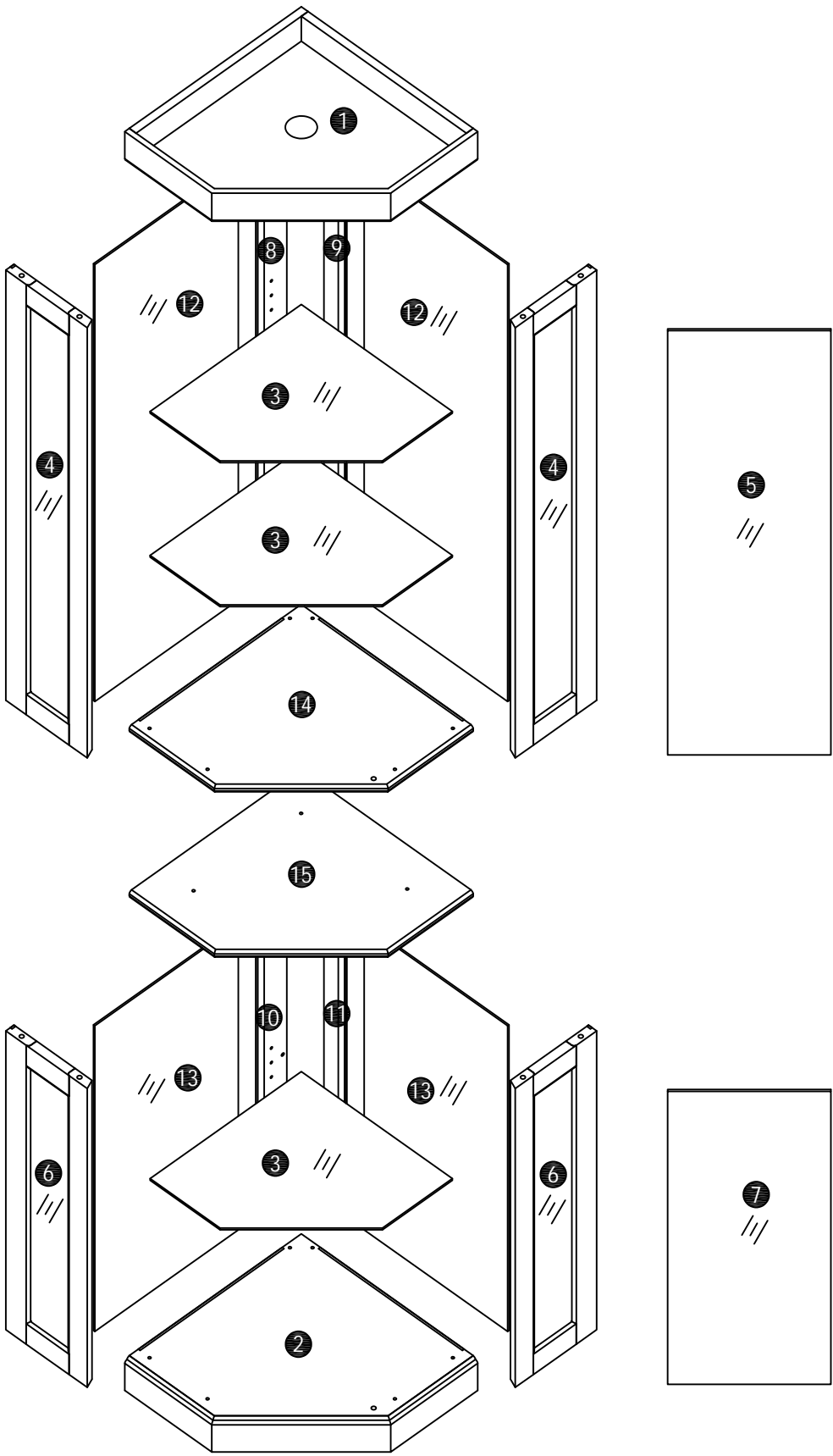


Assembly Instruction

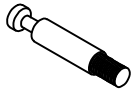


List of Parts



Hardware

A x 24+2



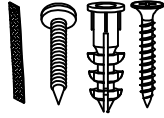
Ø6 x 34mm

B x 24+2



Ø15 x 10mm

C x 2

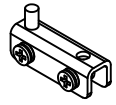


D x 48+2

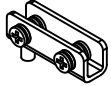


Ø3.5*12mm

E x 2



F x 2



G x 2

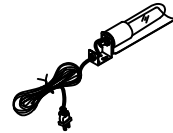


H x 24+2



Ø25mm

I x 1



J x 6+1



Ø3.5*35mm

K x 15

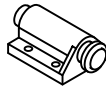


L x 2+1



Ø3.5*14mm

M x 2



N x 3

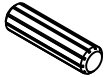


O x 3+1



Ø6*25mm

P x 4+1



Ø8 x 30mm

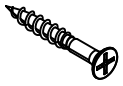
Q x 8+1



Ø3*16mm

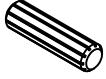
STEP1

J x 6

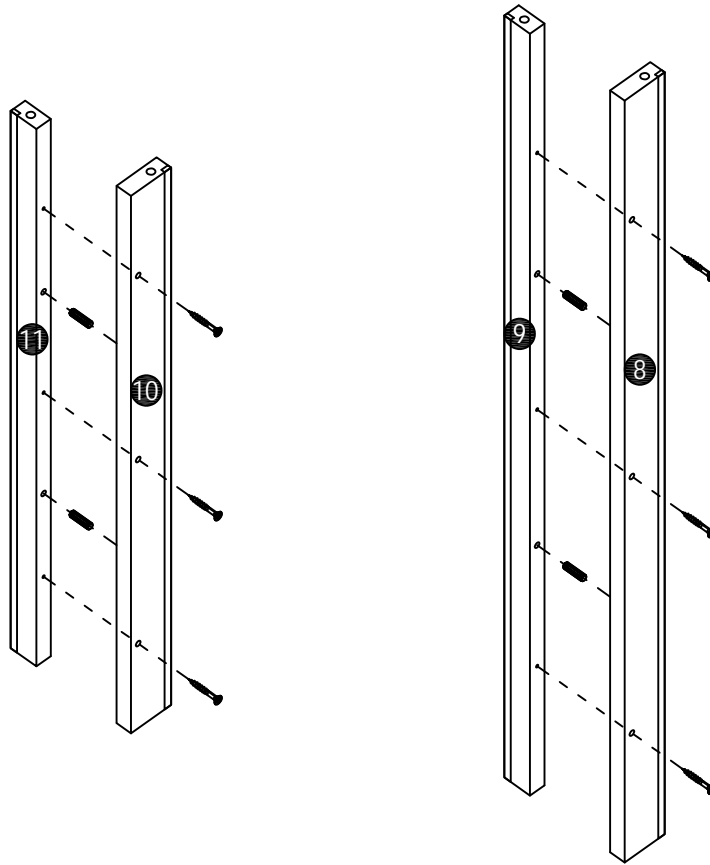


Ø3.5*35mm

P x 4

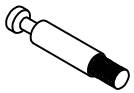


Ø8 x 30mm



STEP2

A x 12



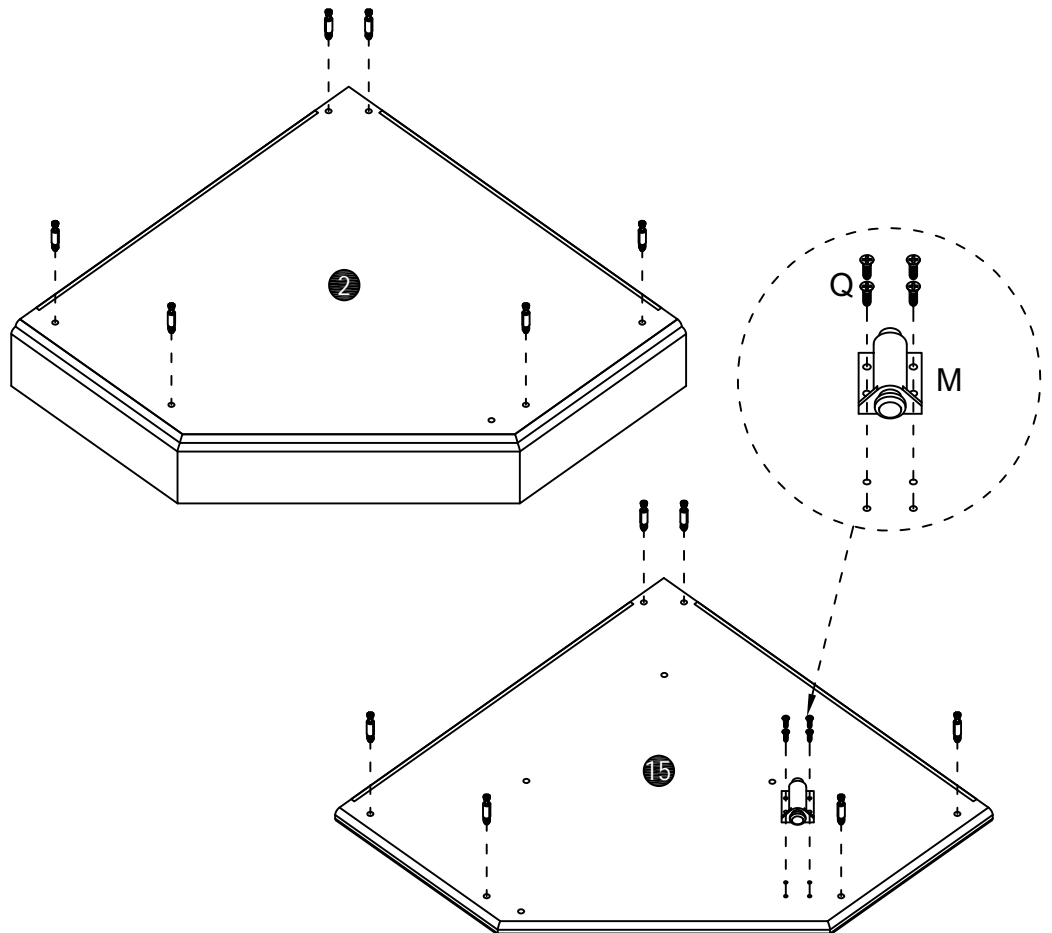
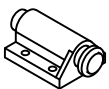
Ø6 x 34mm

Q x 4



Ø3*16mm

M x 1

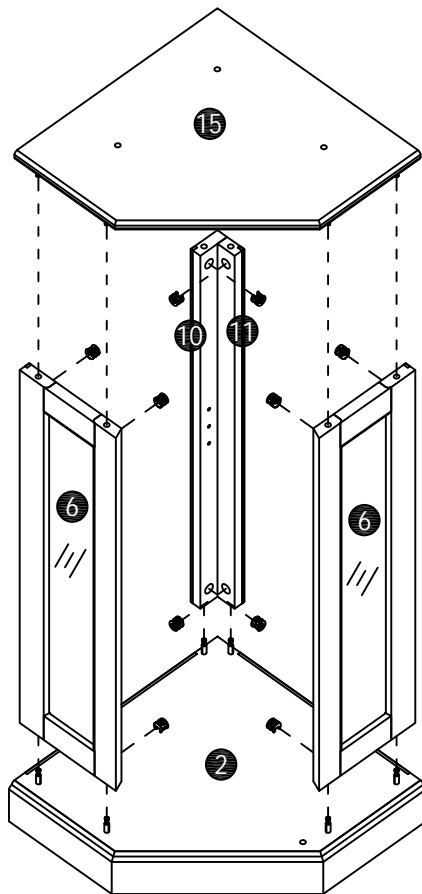


STEP3

B x 12

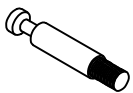


Ø15 x 10mm

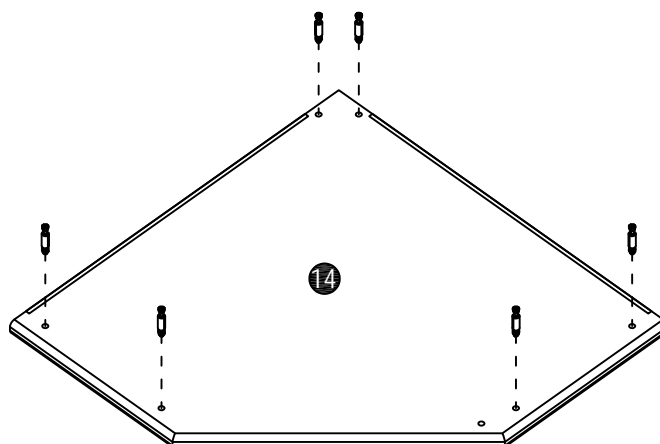


STEP4

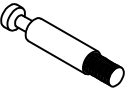



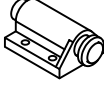
A x 6

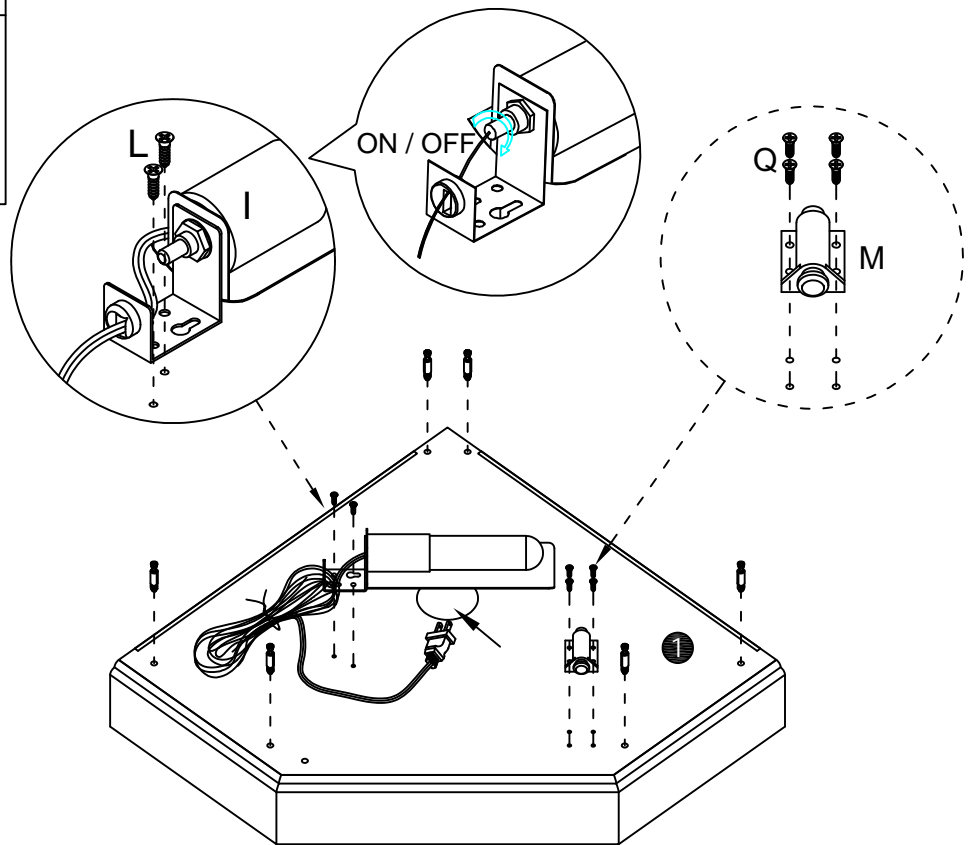


Ø6 x 34mm




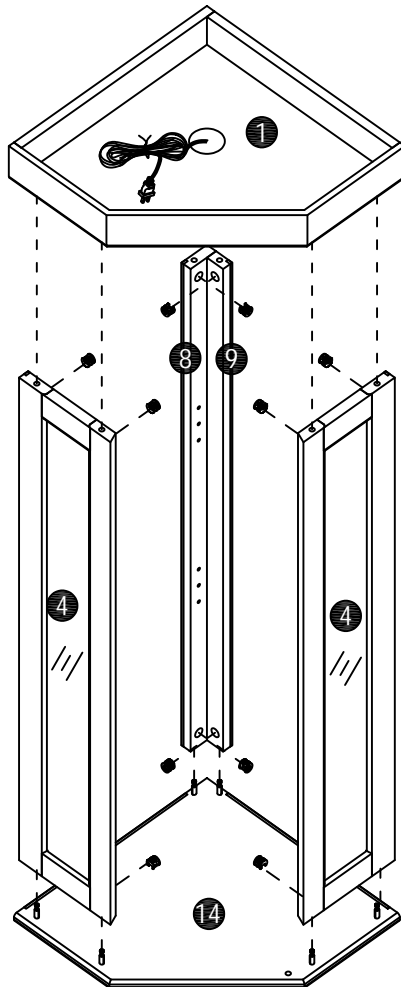
STEP5

A x 6	Q x 4
	
Ø6 x 34mm	Ø3*16mm
L x 2	
	
Ø3.5*14mm	
I x 1	
	
M x 1	
	



STEP6

B x 12

Ø15 x 10mm

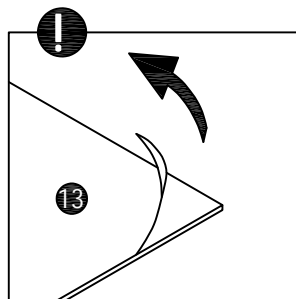


STEP7

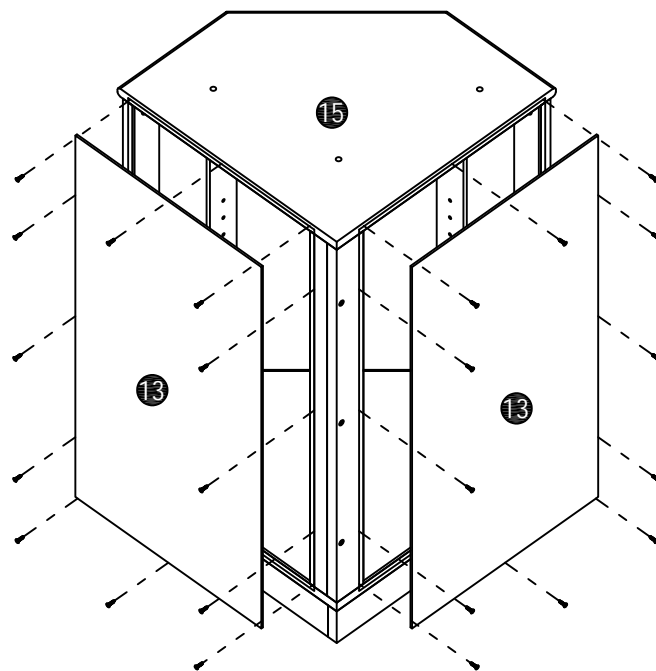
D x 24



Ø3.5*12mm



Remove protective film
on the mirror panel.

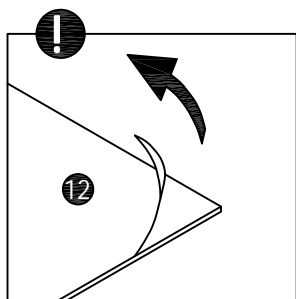


STEP8

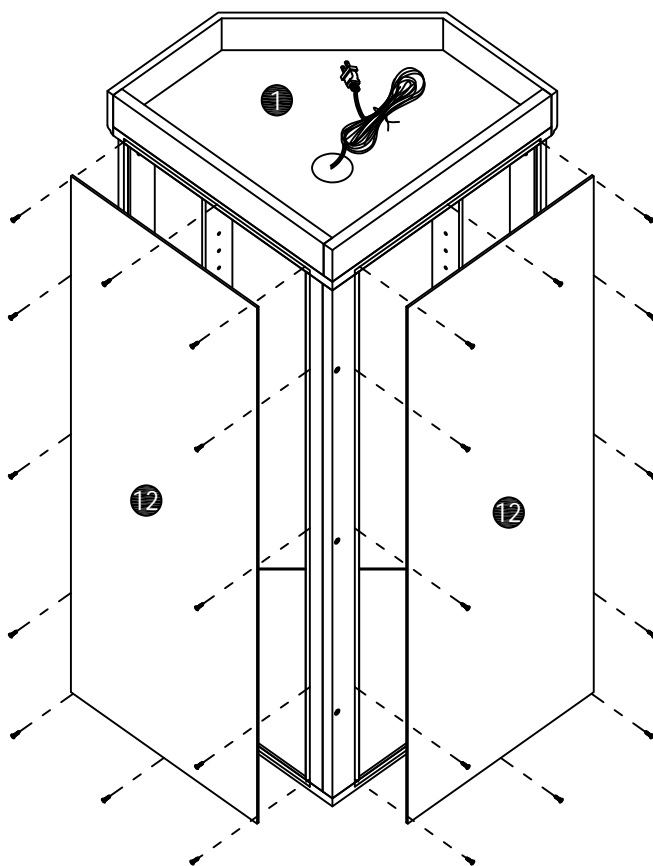
D x 24



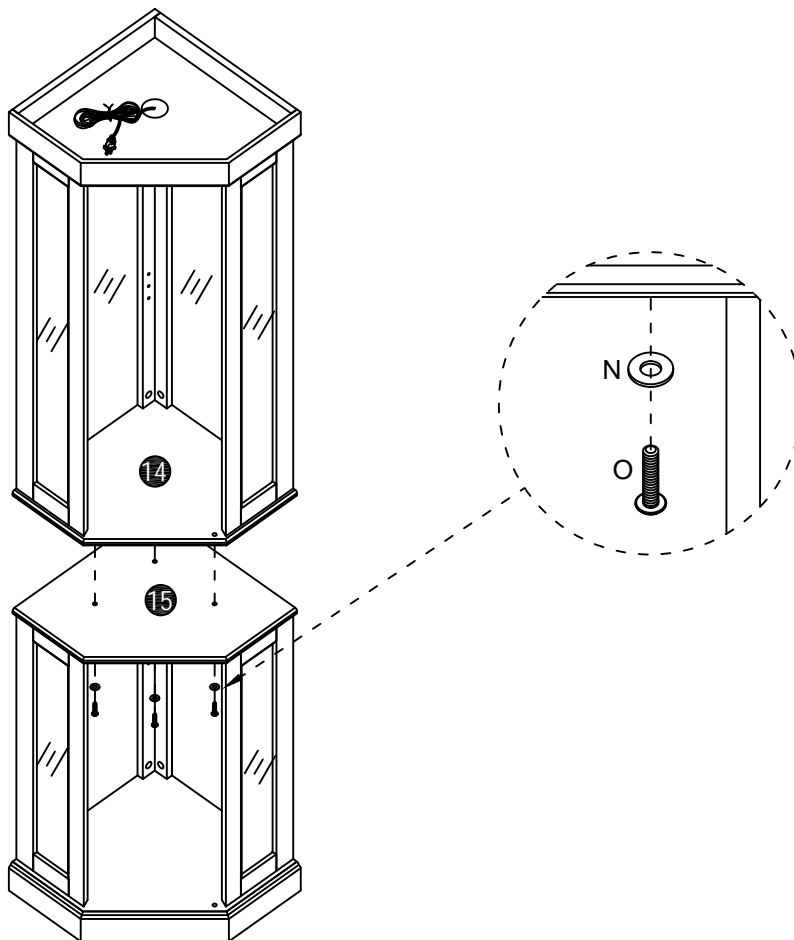
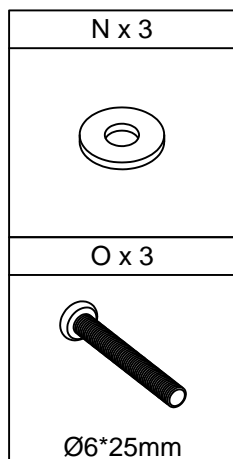
Ø3.5*12mm



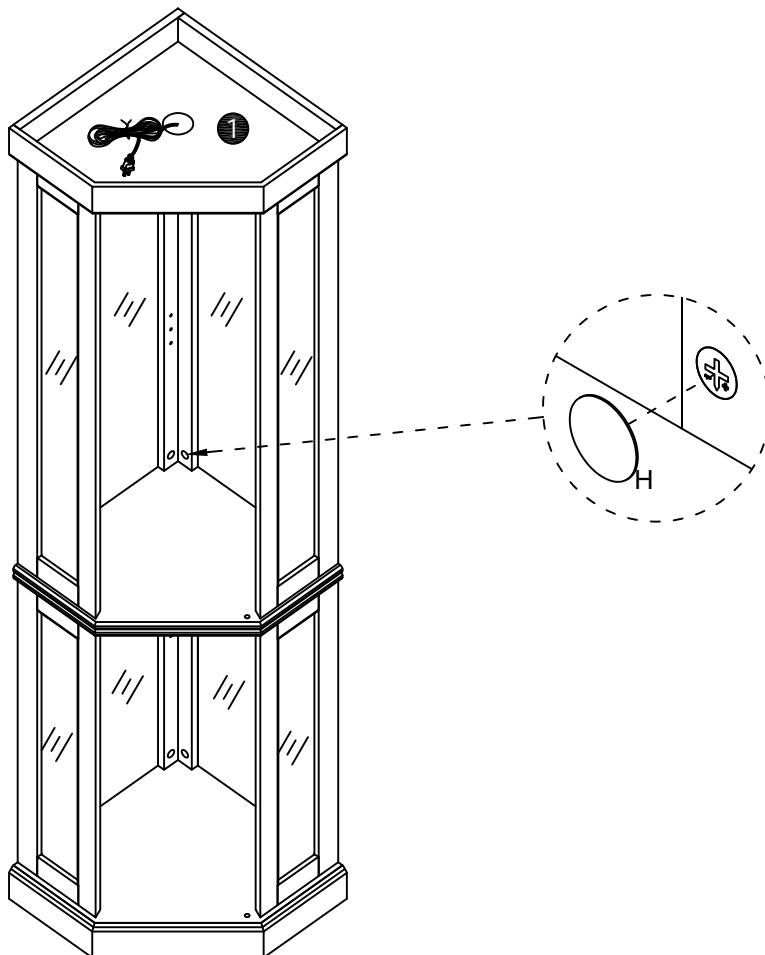
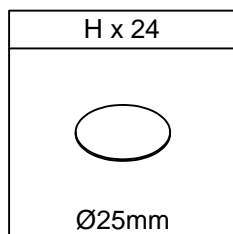
Remove protective film
on the mirror panel.



STEP9

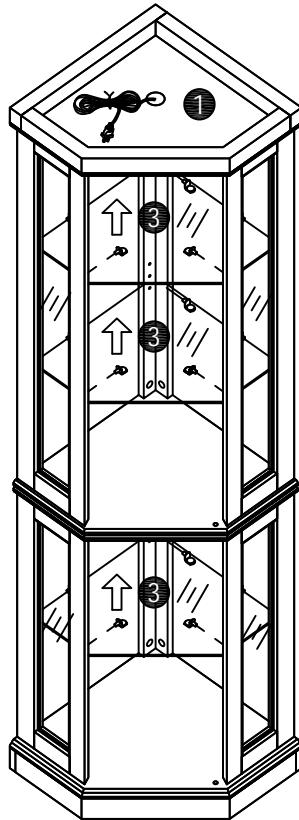


STEP10



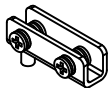
STEP11

K x 15

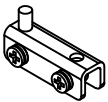


STEP12

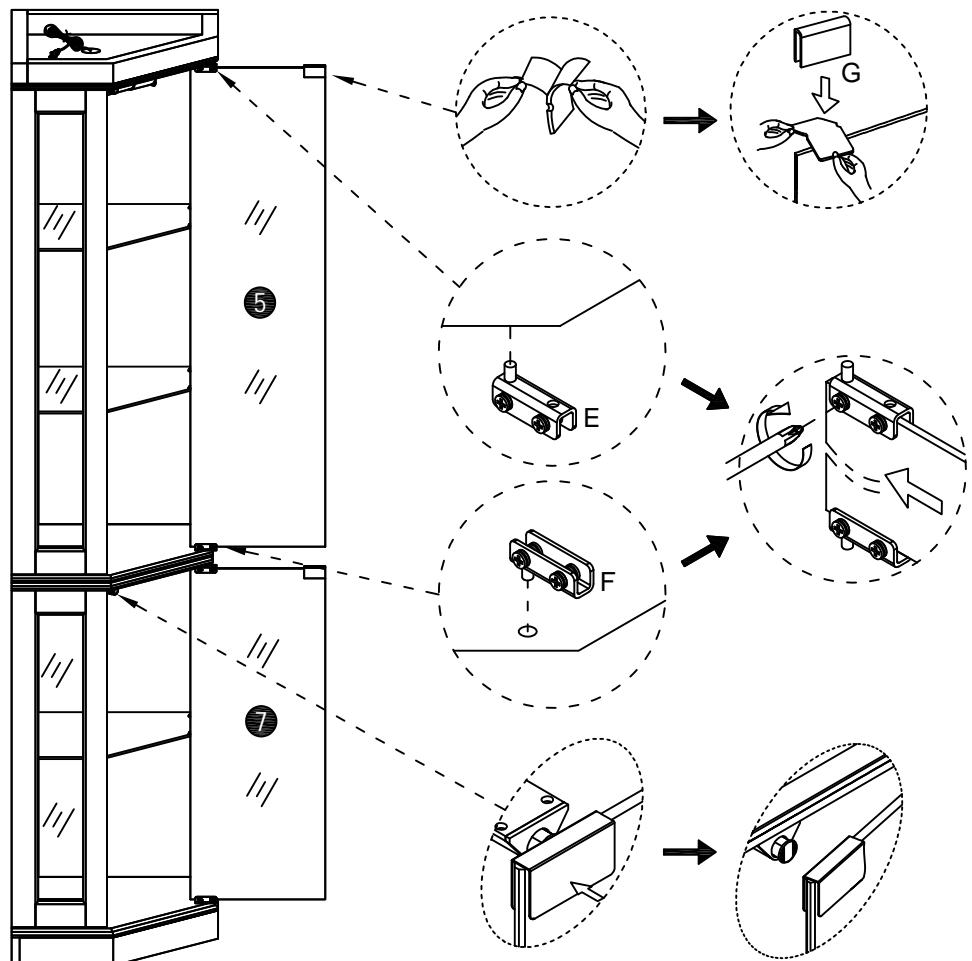
F x 2



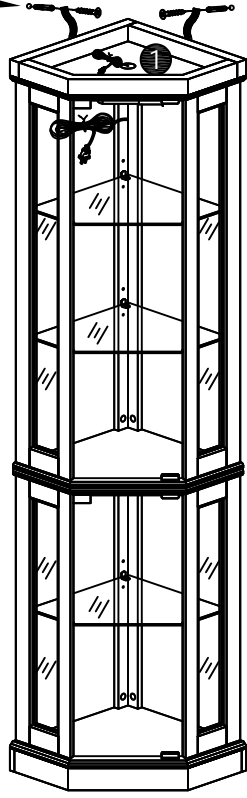
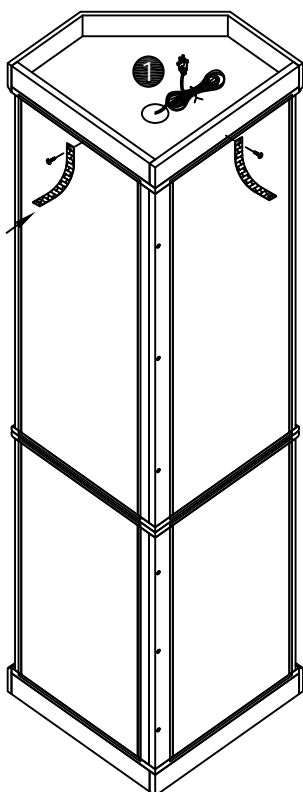
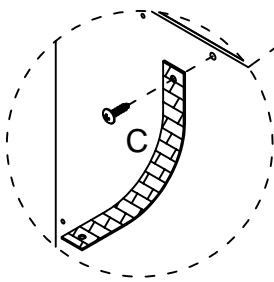
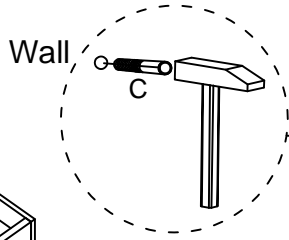
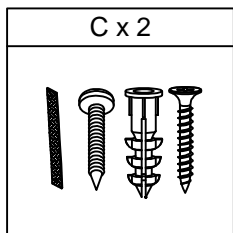
E x 2



G x 2



STEP13



STEP14

