

AFTERSALE SERVICE

Dear customer,

Thank you so much for purchasing the product from us, we really appreciate your support.

We are aimed to provide the best shopping experience to our customers. We also want to build a mutually beneficial relationship with our customers, and step further to make our brand both reliable, responsible and recommendable.

We hope that our products could meet your needs and expectations, please consider us again if you need more products for your home and kitchen.

The package would be out of our control during shipping, please contact us through your purchasing channel directly if there is anything wrong with the box or contents. We are always here offering you our service.

We will reply your messages within 24 hours, please kindly wait for the response from our professional service team.

Your comfort and contentment are of utmost importance.

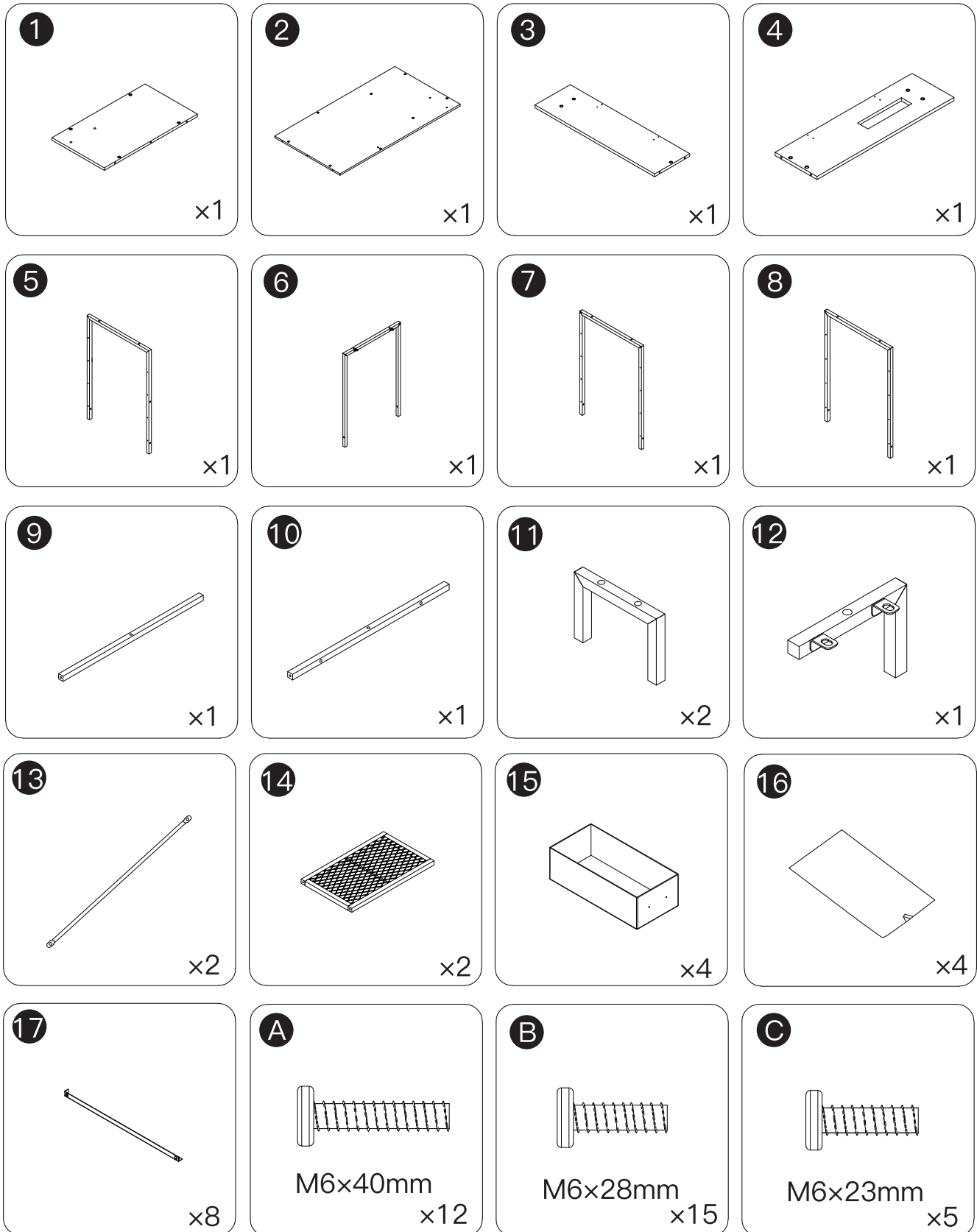
Best Regards,
Customer Care Specialist

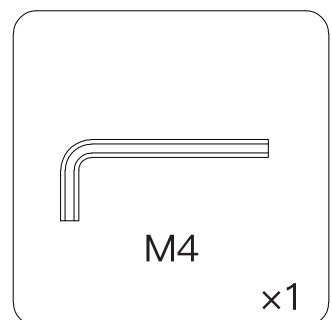
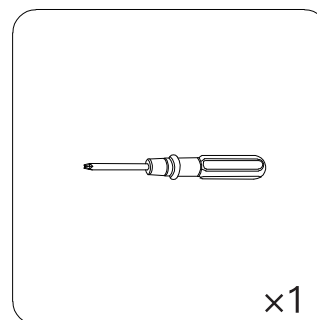
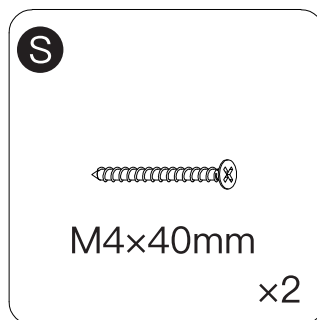
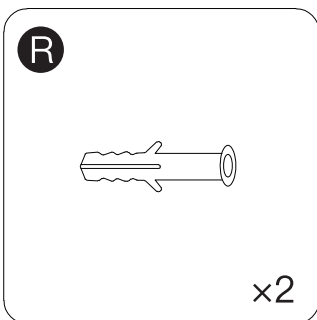
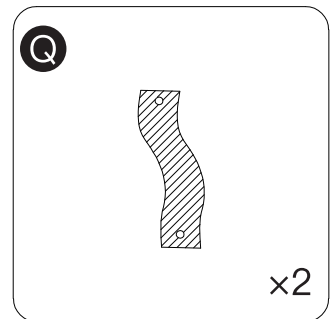
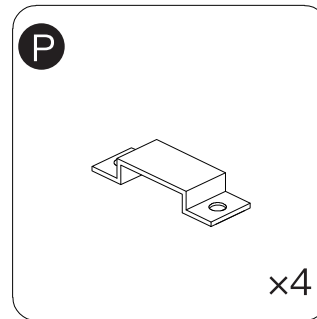
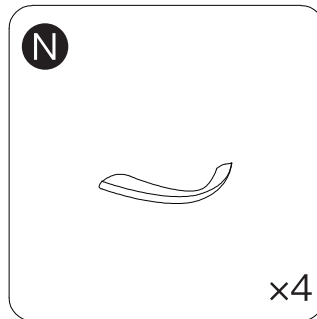
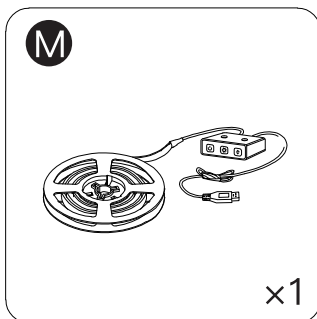
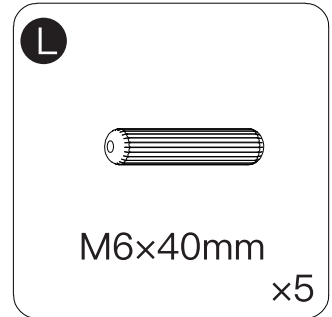
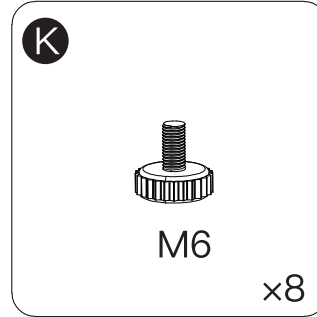
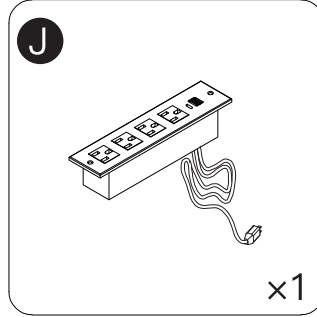
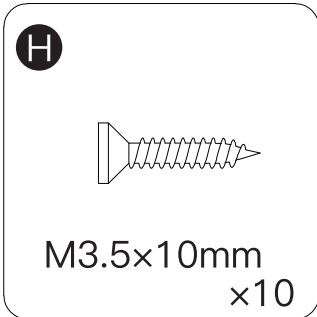
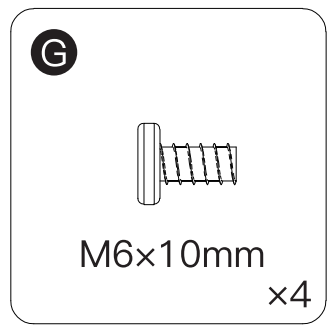
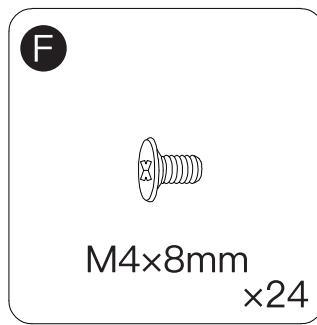
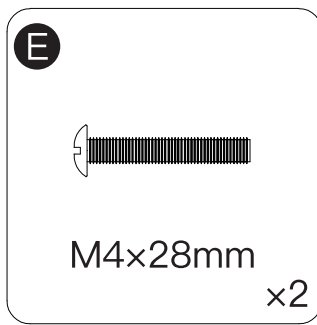
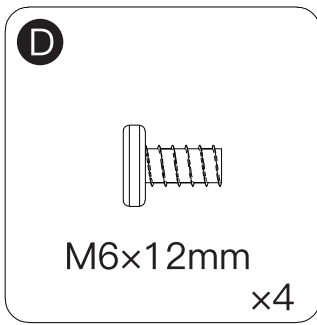
ASSEMBLY INSTRUCTIONS



Please check all parts and accessories according to the parts list before assembling, make sure all contents are sufficient and in good condition. If there is any parts missing or defective, please contact us with purchase platform message immediately to get replacement parts.

PARTS:

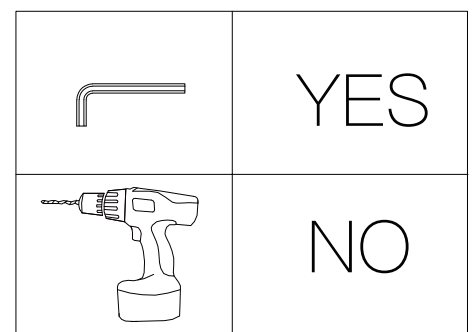




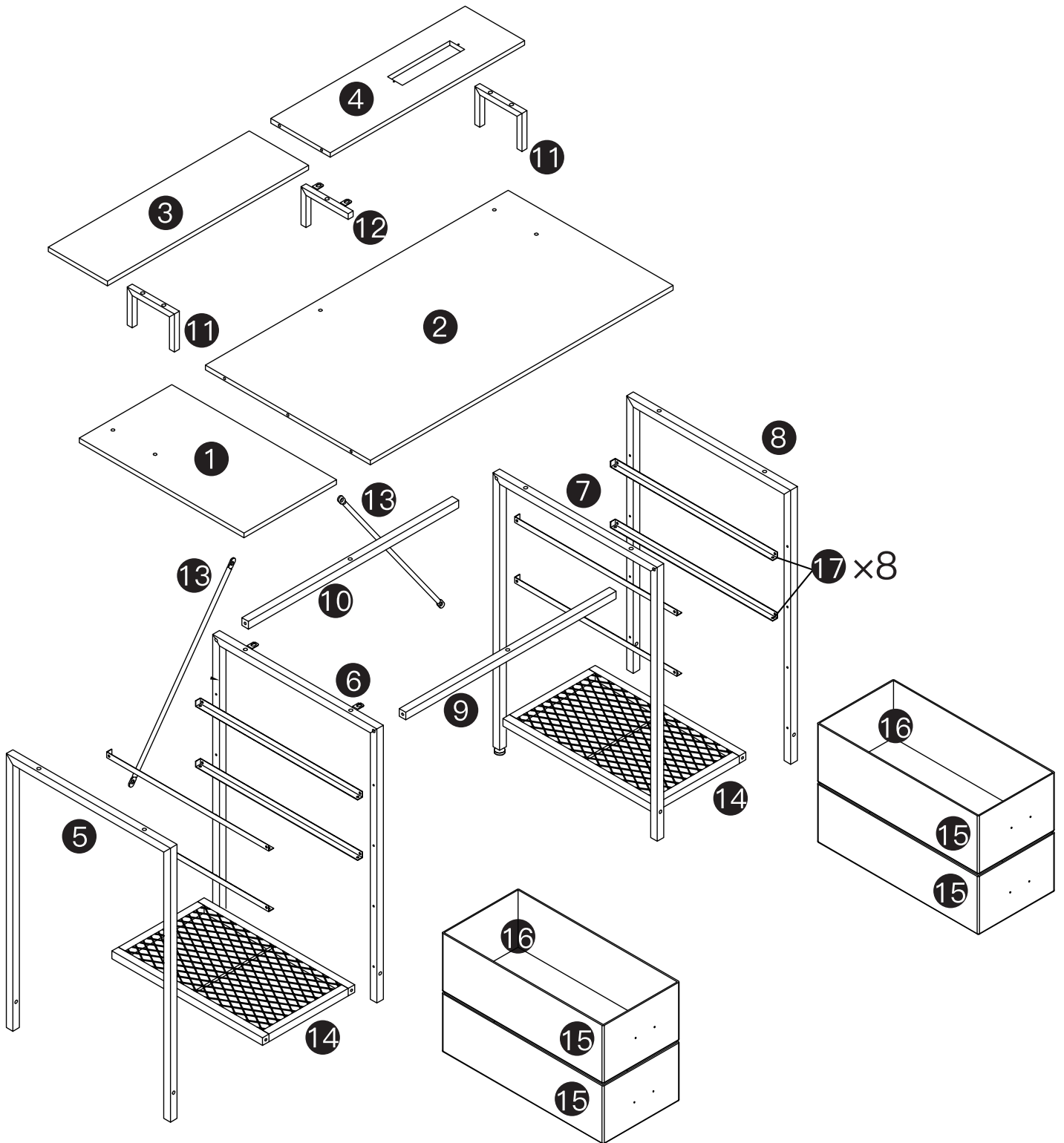
⚠ CAUTION:

READ THE INSTRUCTION MANUAL BEFORE ASSEMBLING

- READ THE INSTRUCTION MANUAL BEFORE ASSEMBLING
- IDENTIFY, SORT AND COUNT ALL THE PARTS WITH TAGS
- ASSEMBLE IN AN AREA WITH PLENTY OF SPACE
- READ EACH STEP BEFORE BEGINNING CONSTRUCTION
- ASSEMBLE ACCORDING TO THE ILLUSTRATION IN CORRECT STEPS
- NEVER FORCE THE SCREWS OF FITTINGS
- KEEP THIS MANUAL FOR FUTURE REFERENCE
- TIGHTEN ALL THE SCREWS EVERY 6 MONTHS
- SHIFT OR DRAG THE DESK AFTER ASSEMBLY CAREFULLY
- POWER TOOLS SHOULD NOT BE USED TO ASSEMBLE THIS DESK

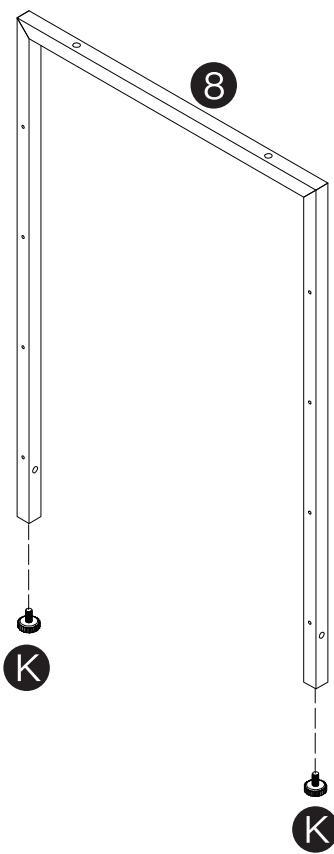
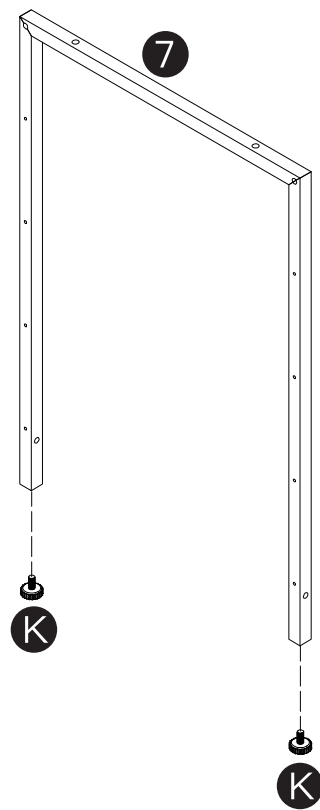
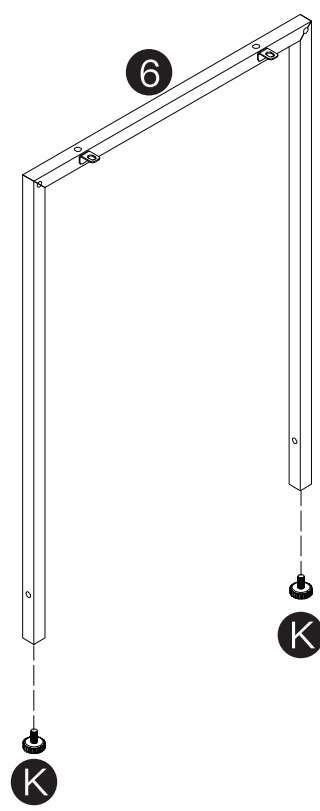
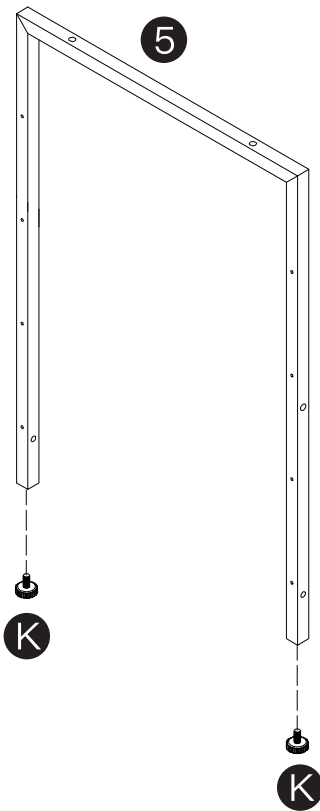
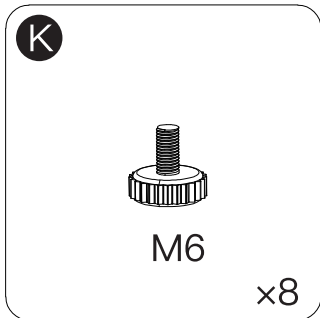
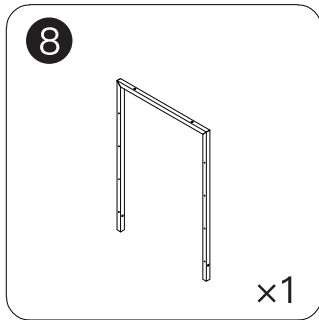
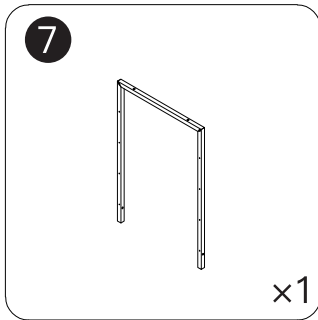
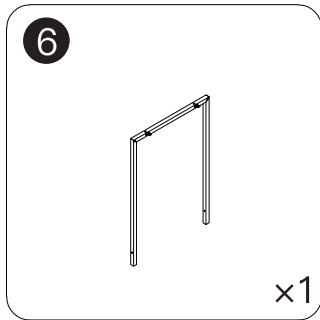
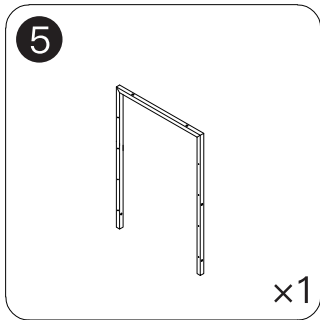


EXPLODED DRAWING:

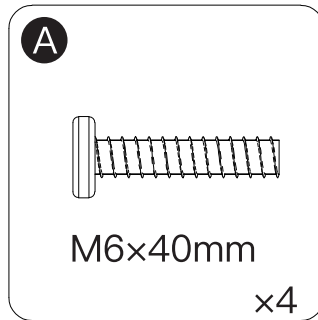
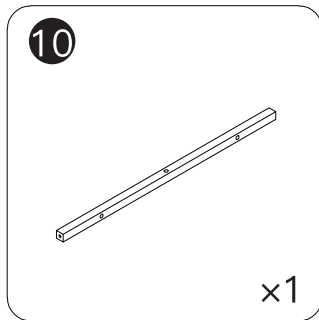
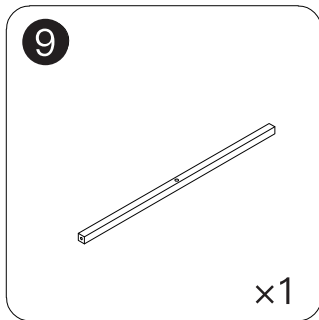


HOW TO INSTALL

STEP 1

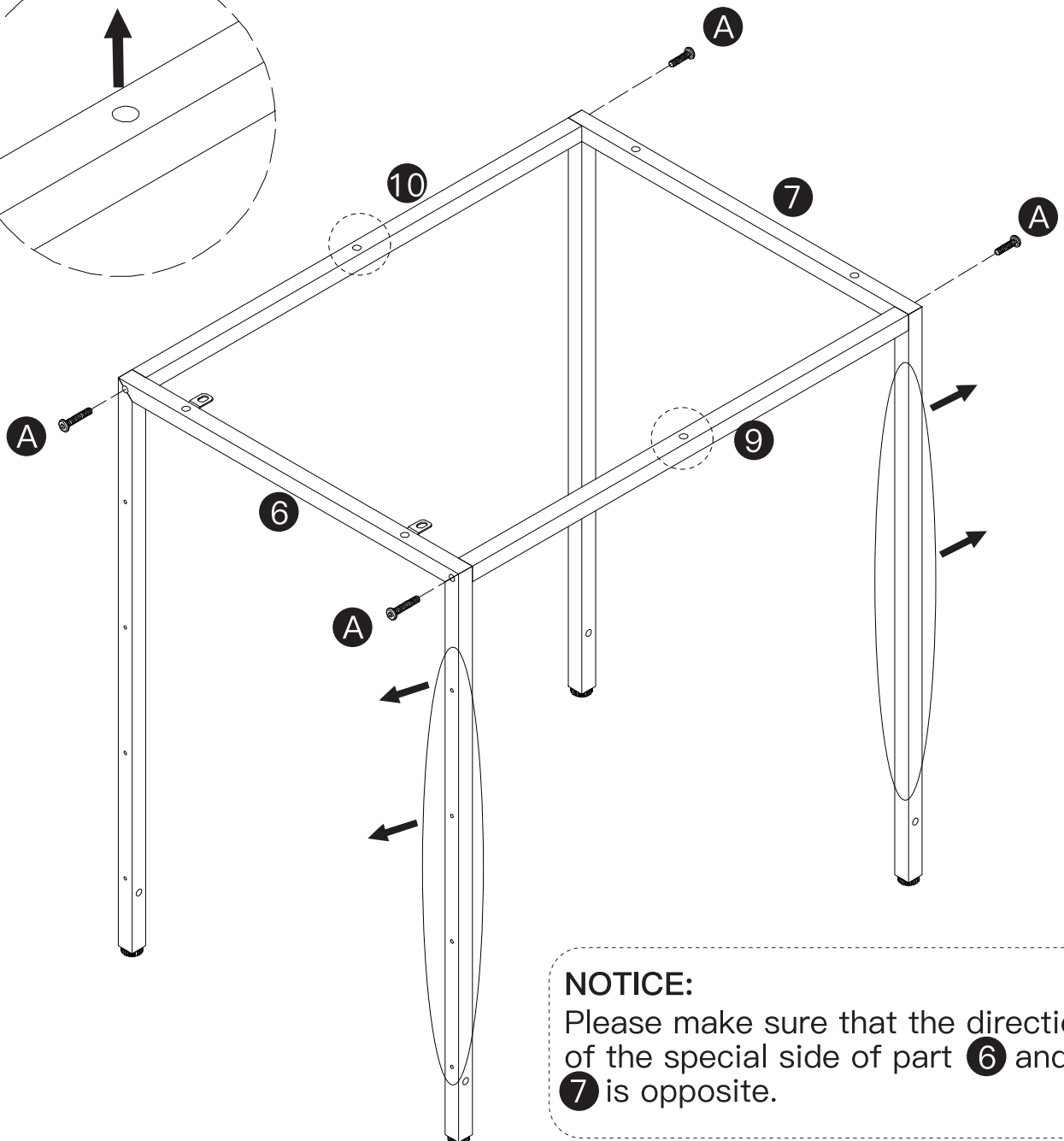
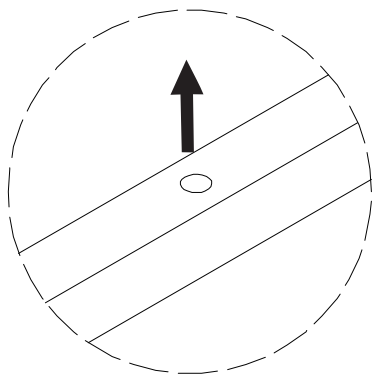


STEP 2



NOTICE:

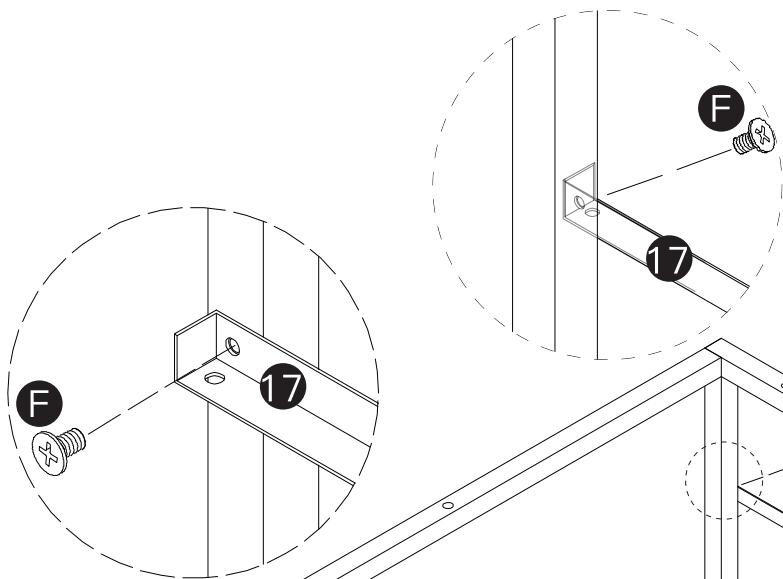
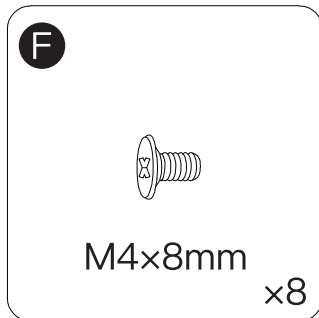
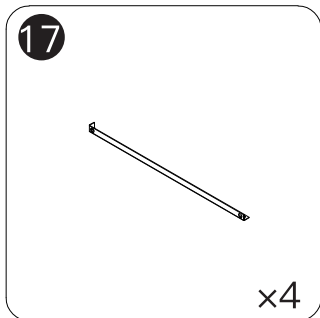
Please ensure that the holes of part 9 & 10 are facing upwards.



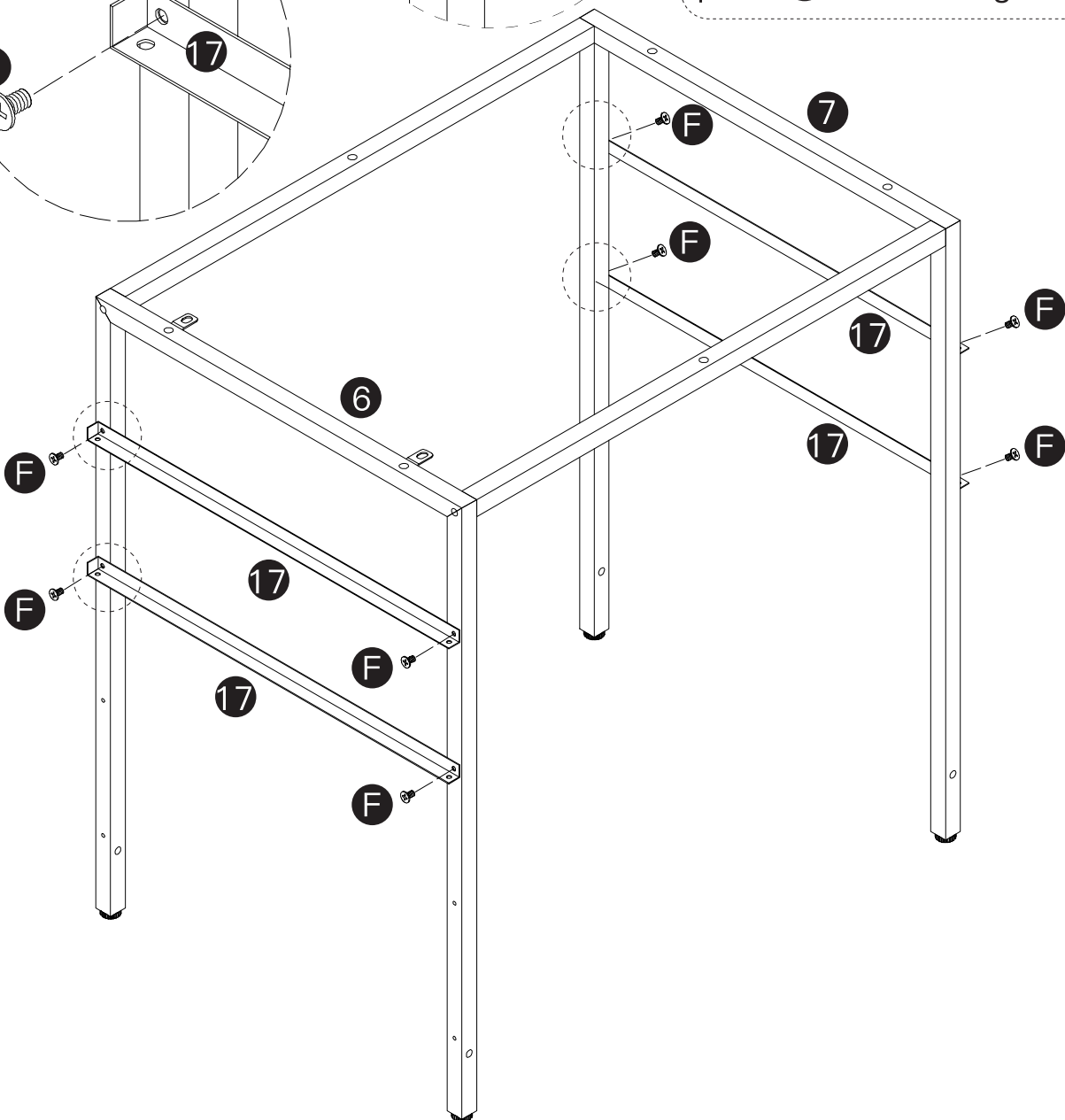
NOTICE:

Please make sure that the direction of the special side of part 6 and 7 is opposite.

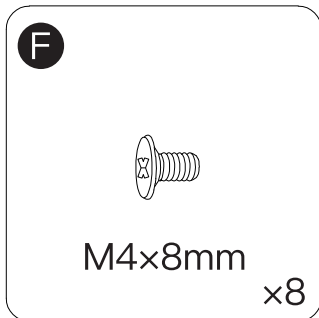
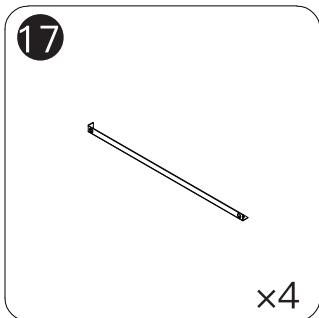
STEP 3



NOTICE:
Please ensure that the baffles of part 17 are facing backwards.

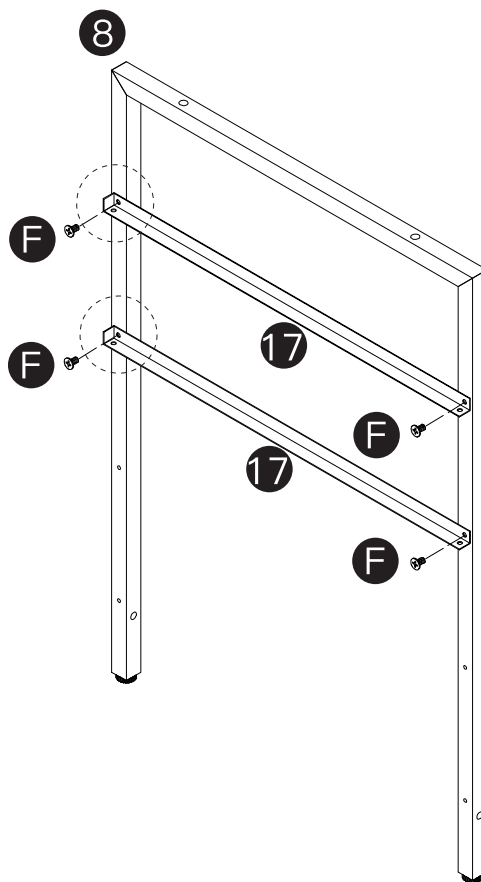
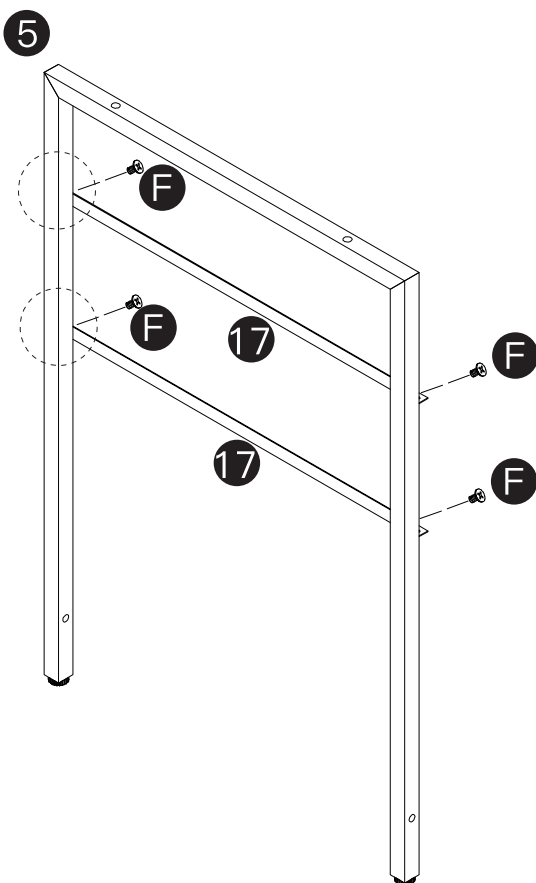
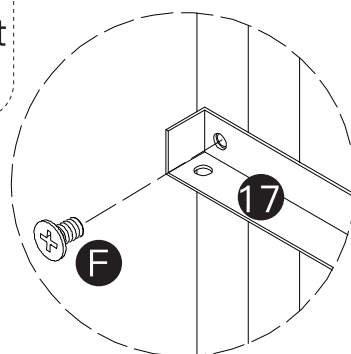
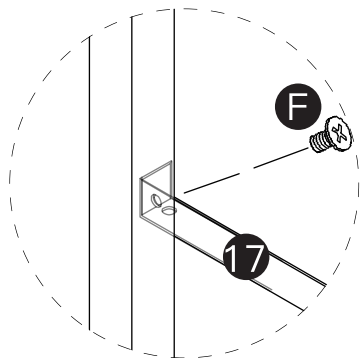


STEP 4

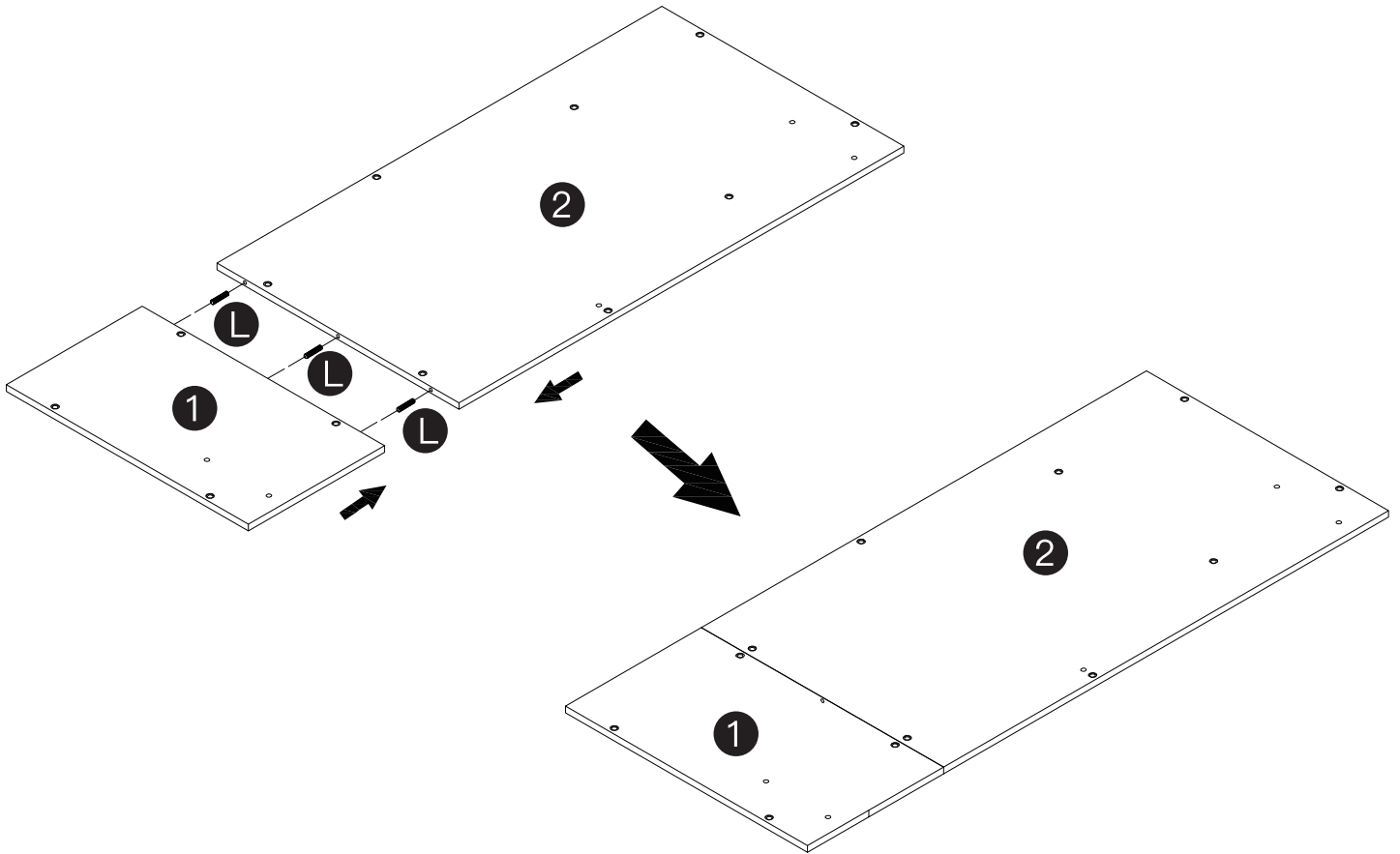
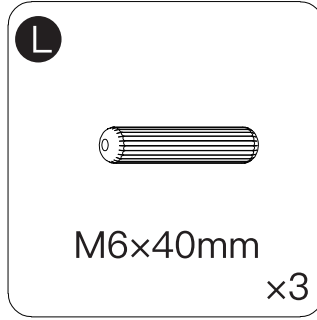
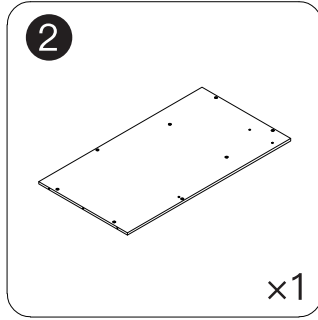
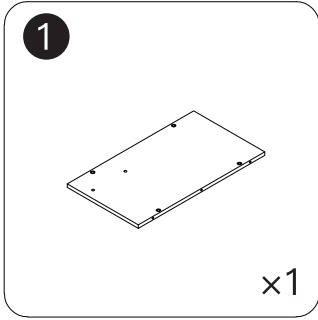


NOTICE:

Please ensure that the baffles of part 17 are facing backwards.

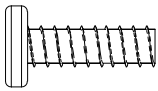


STEP 5

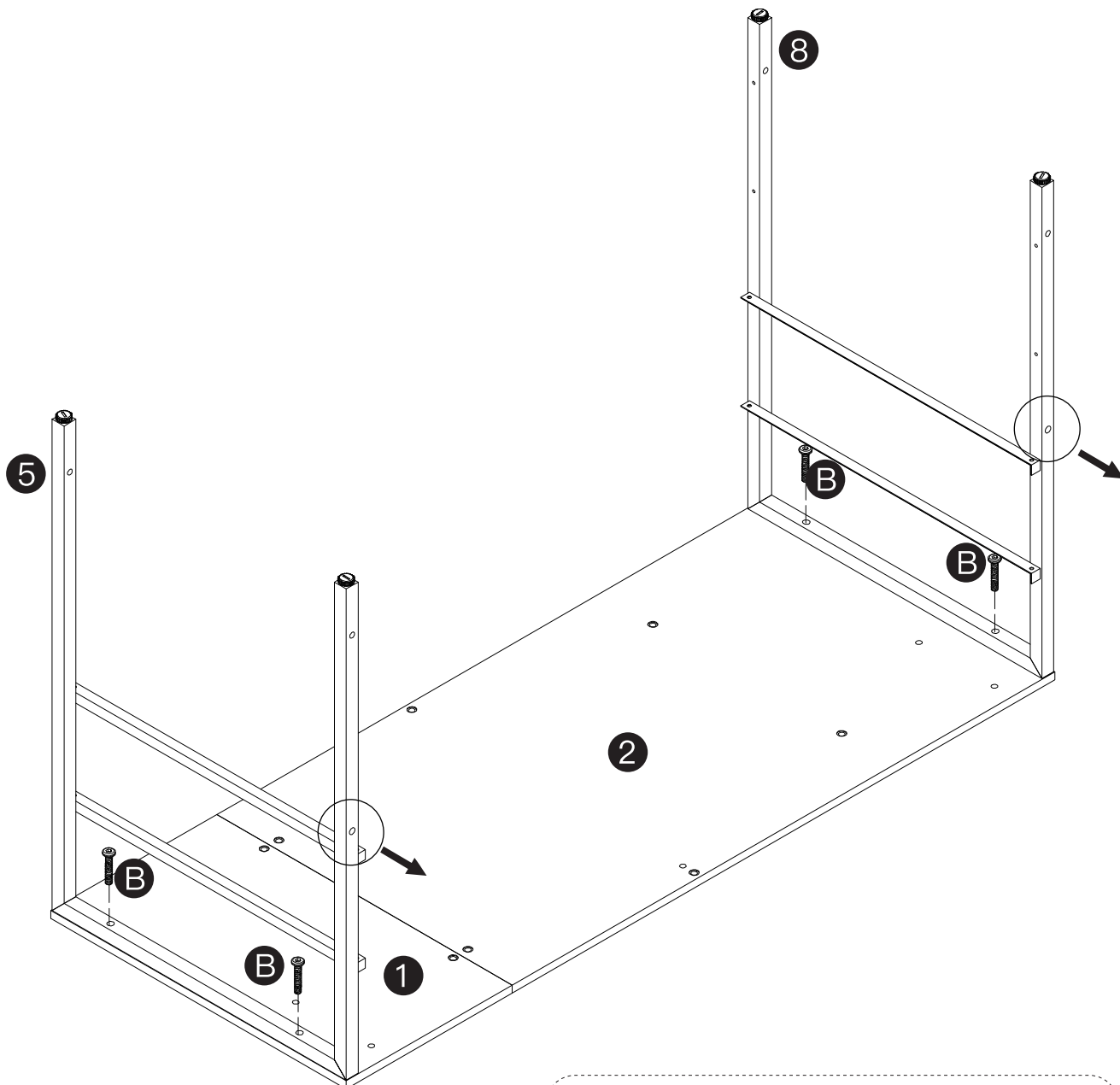


STEP 6

B



M6x28mm
x4

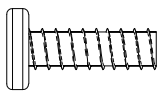


NOTICE:

Please make sure that the hole on part **5** & **8** faces forward.

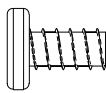
STEP 7

B

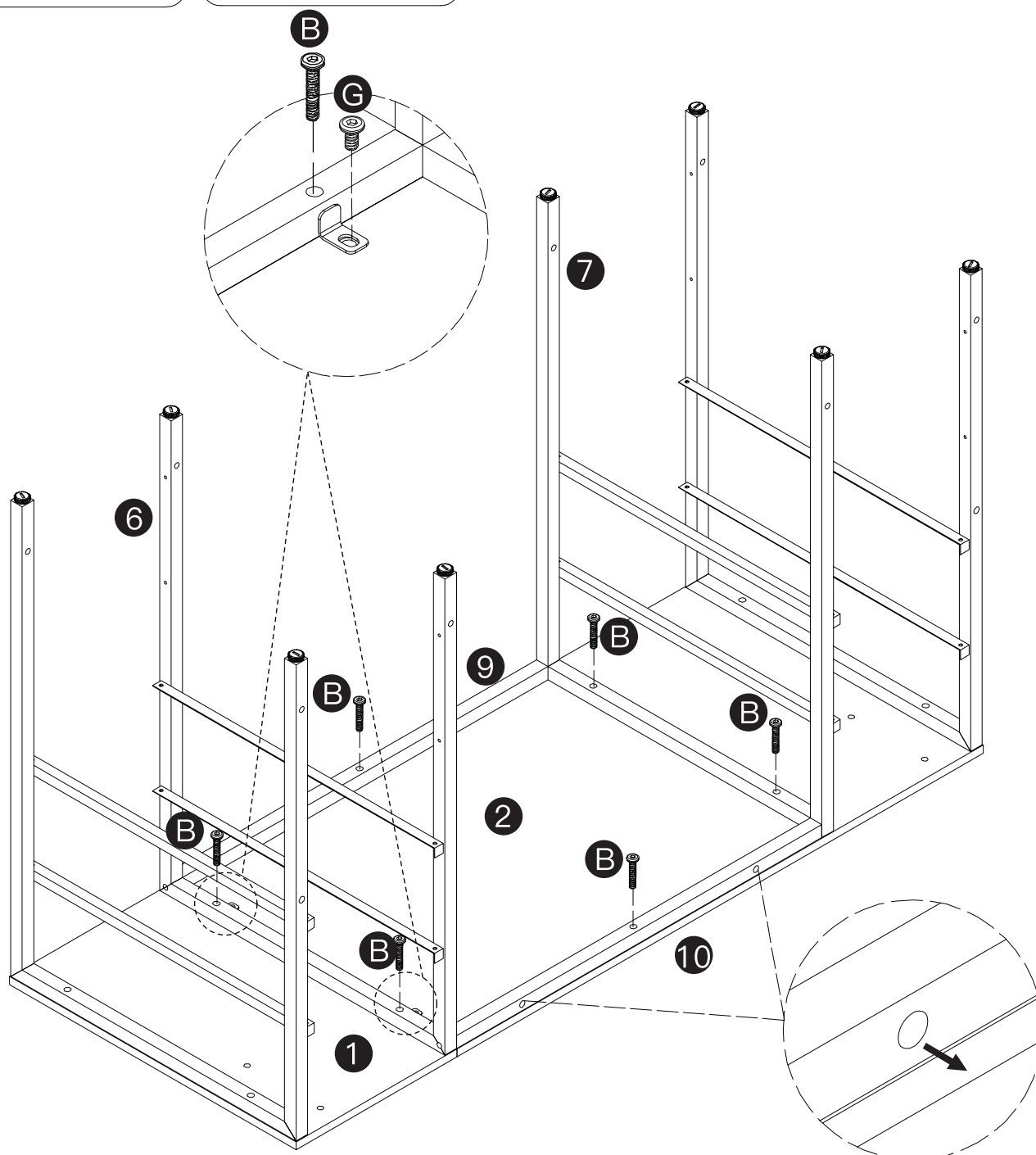


M6x28mm
x6

G



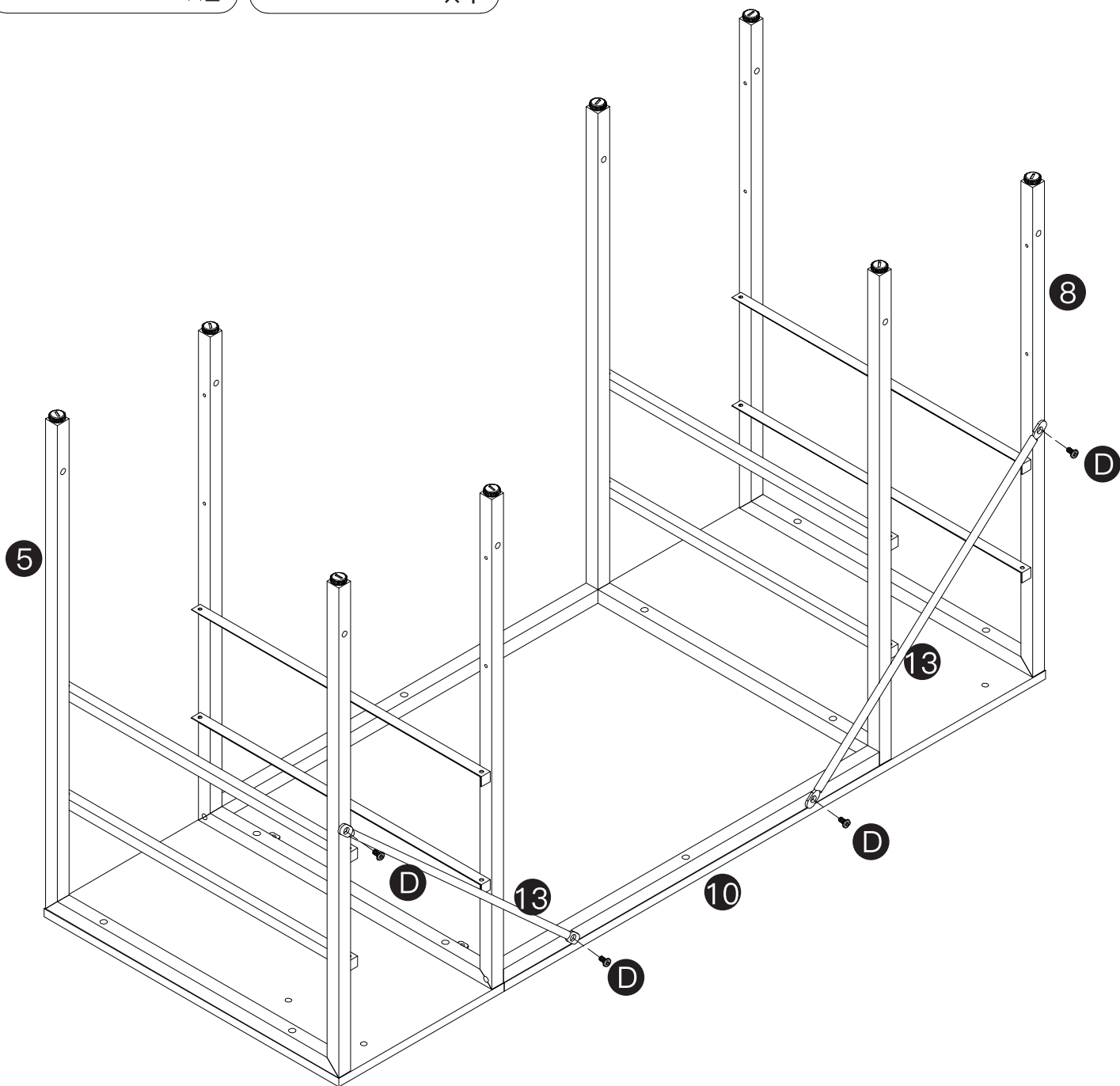
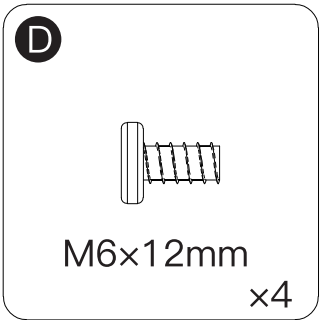
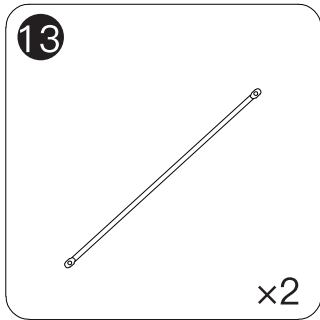
M6x10mm
x2



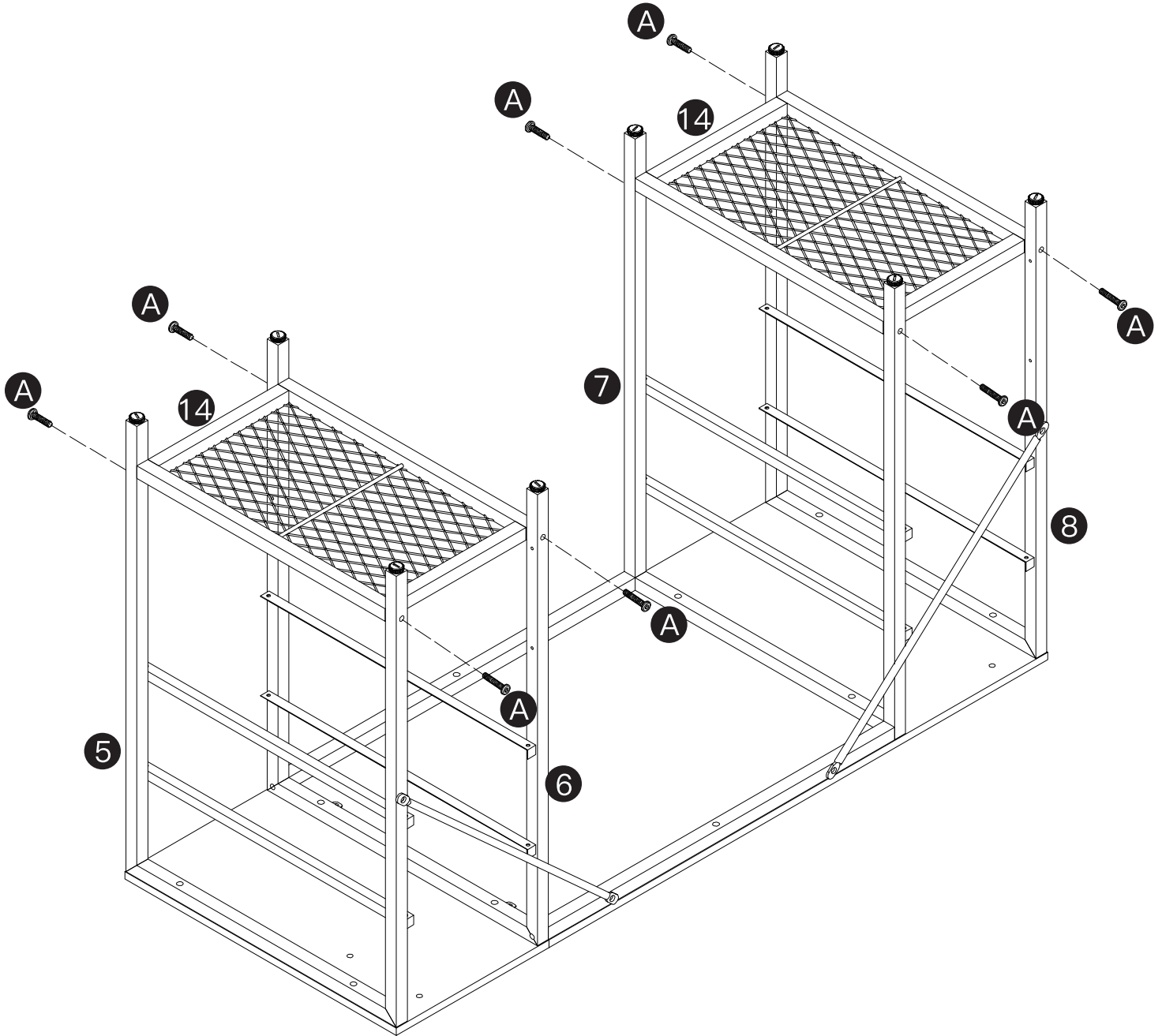
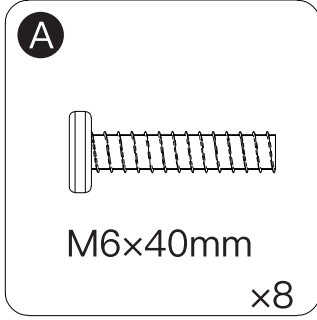
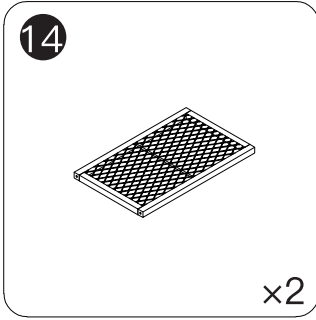
NOTICE:

Please make sure that 2 holes on part **10** faces forward.

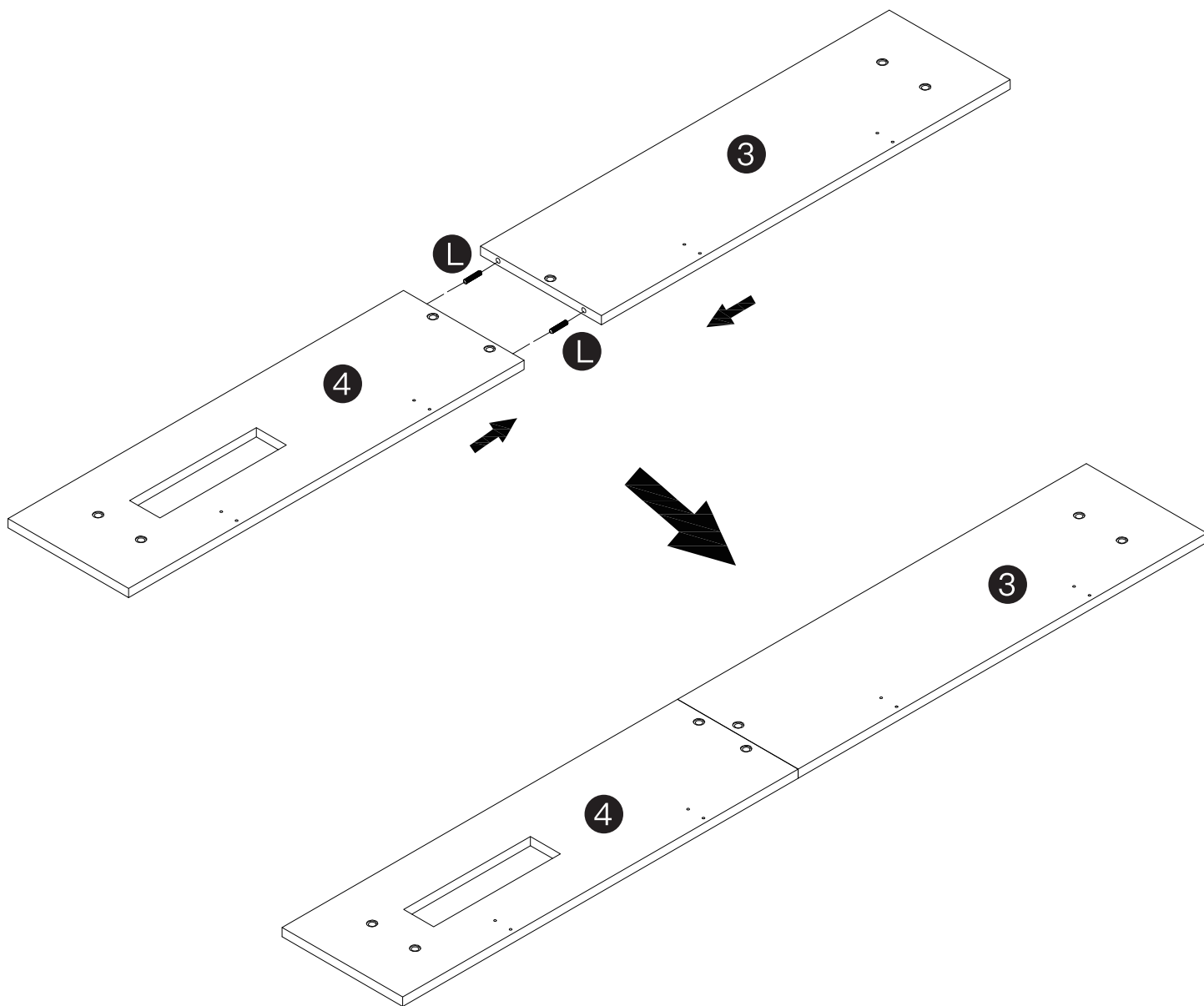
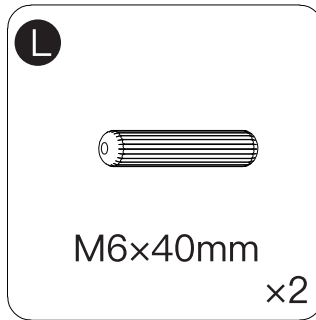
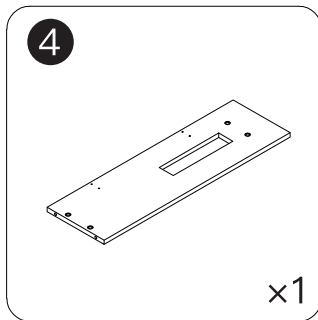
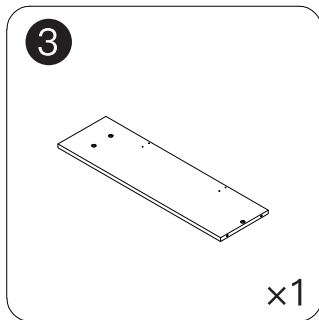
STEP 8



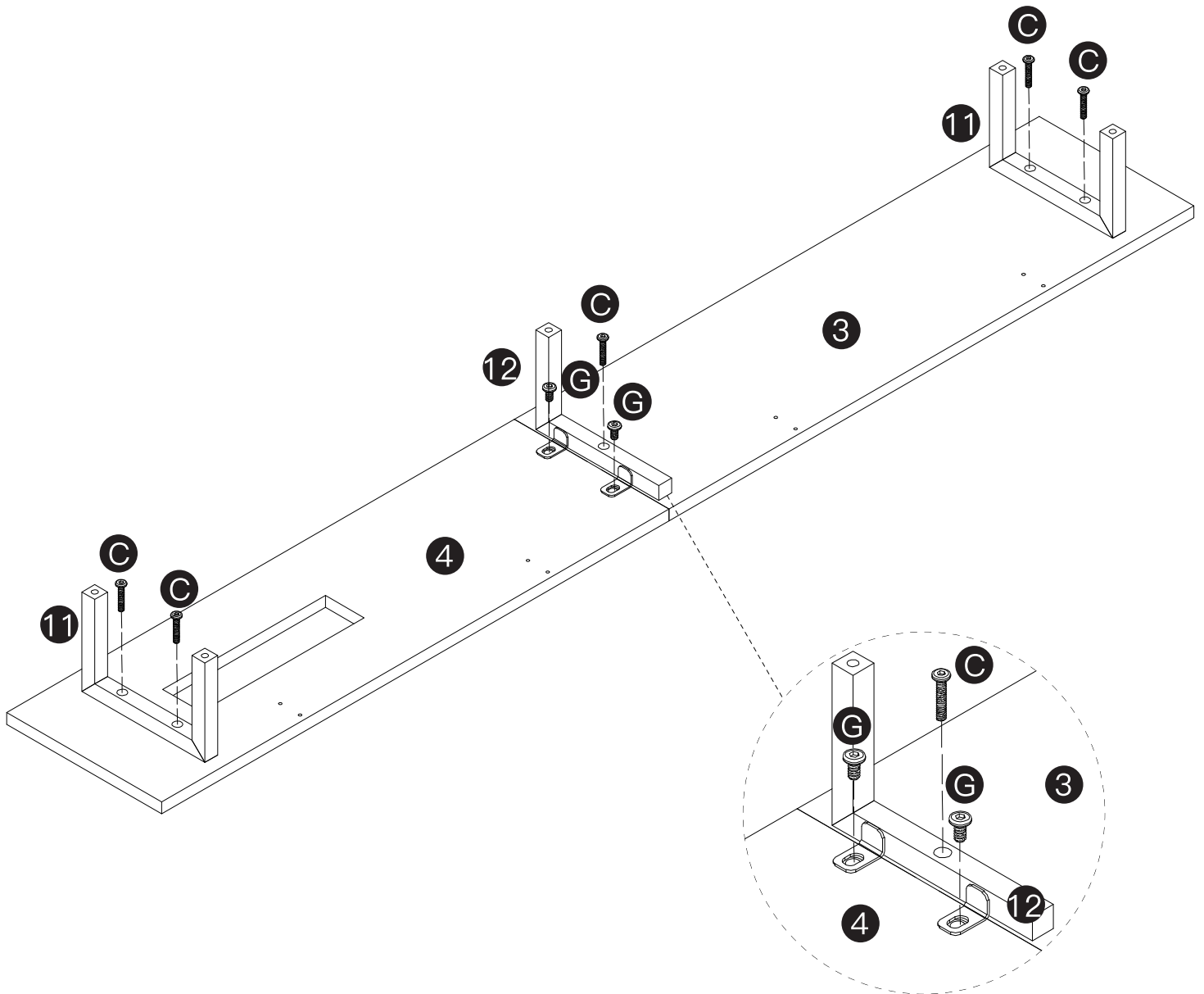
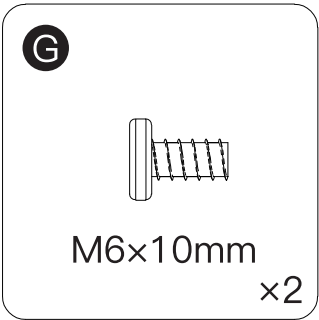
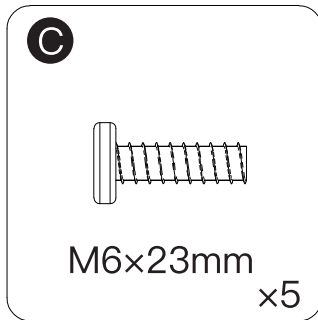
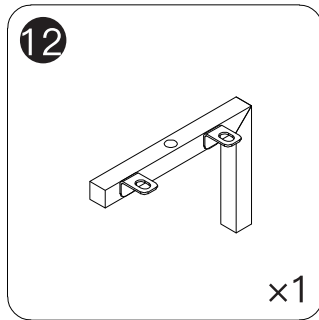
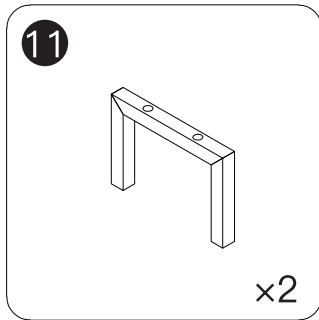
STEP 9



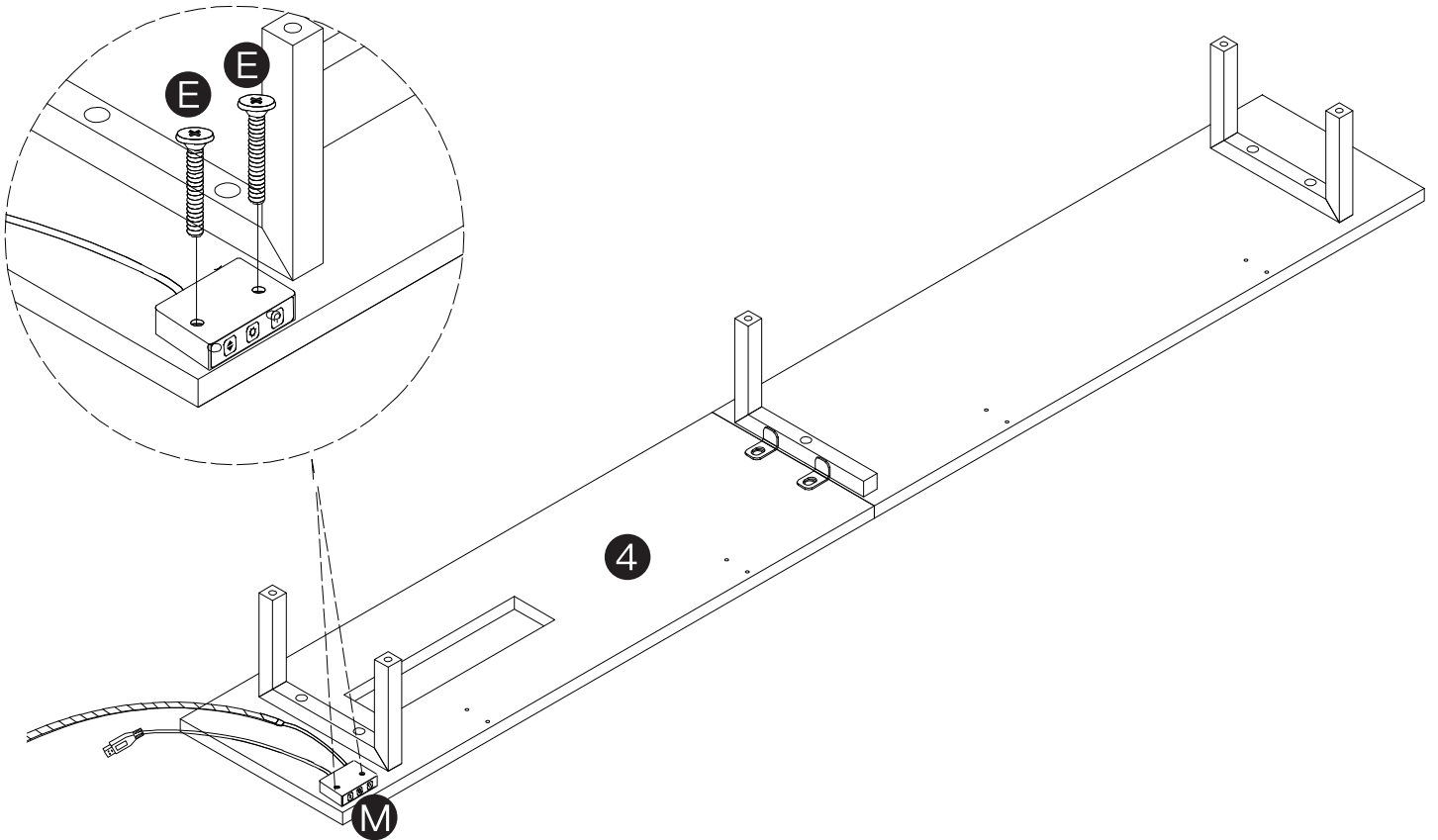
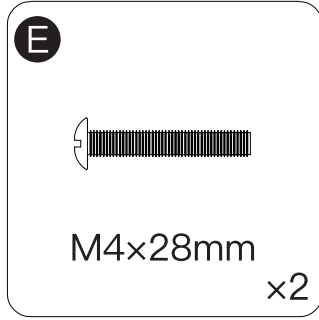
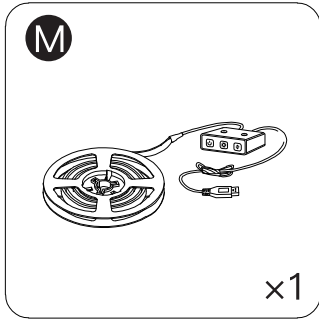
STEP 10



STEP 11

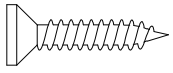


STEP 12



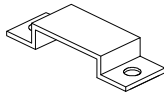
STEP 13

H

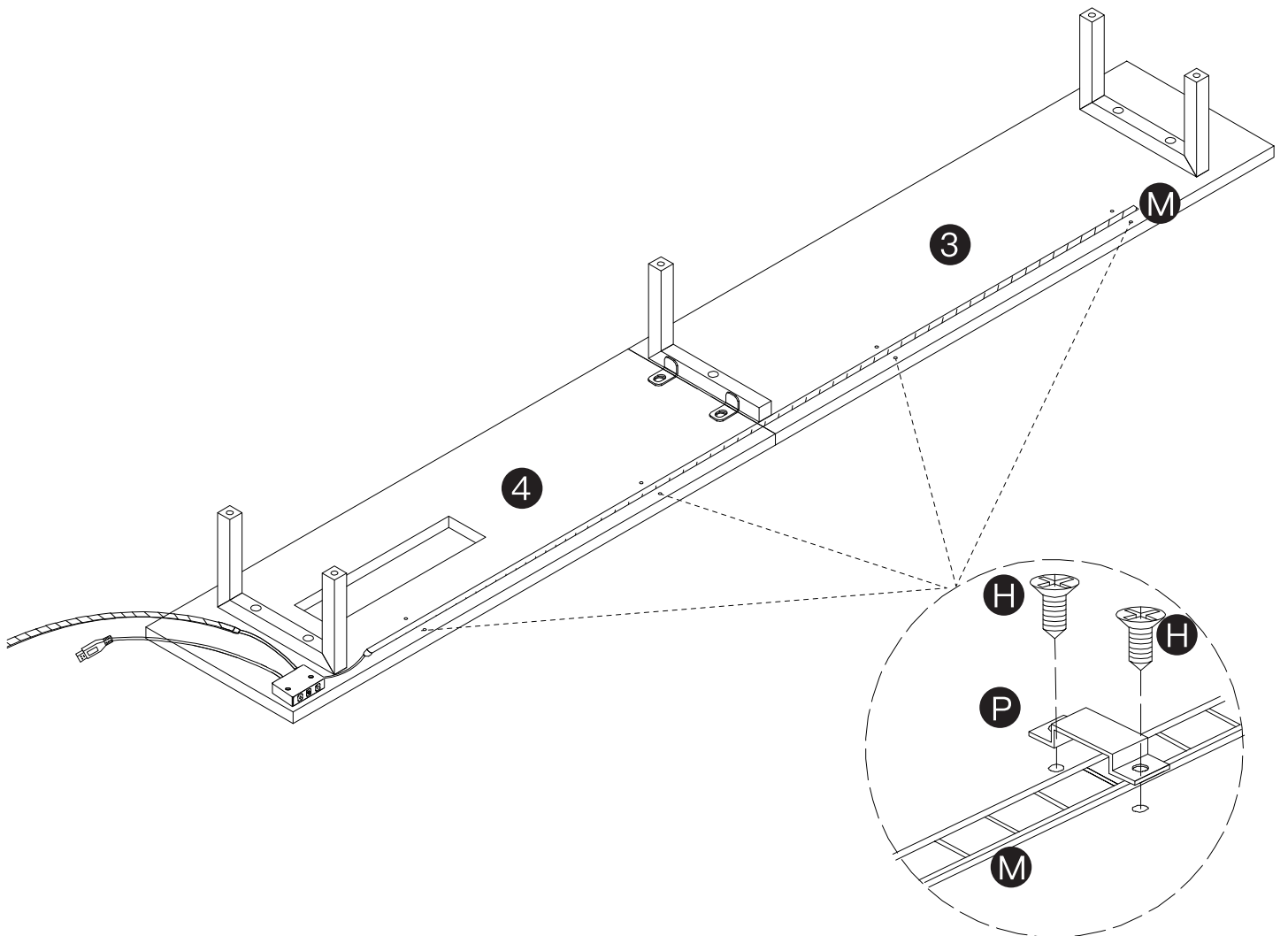


M3.5x10mm
x8

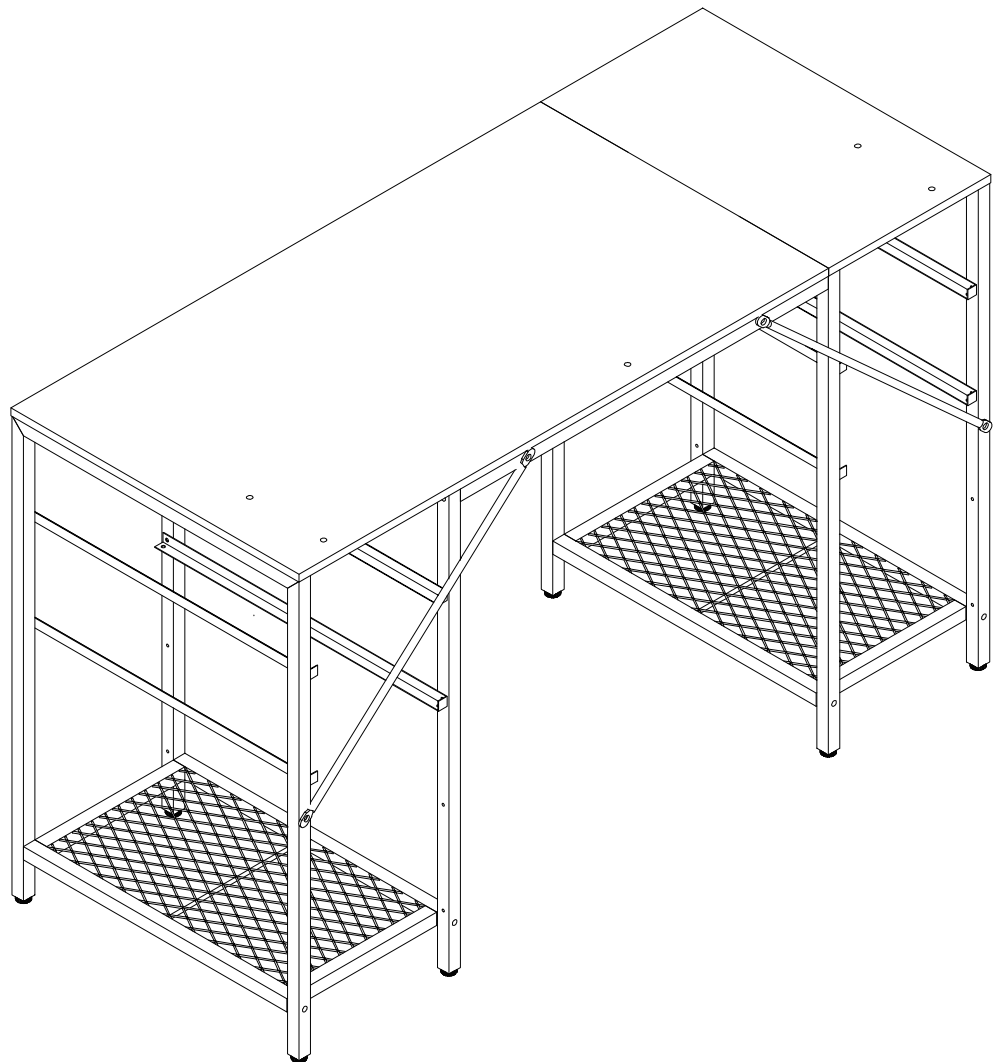
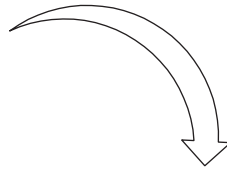
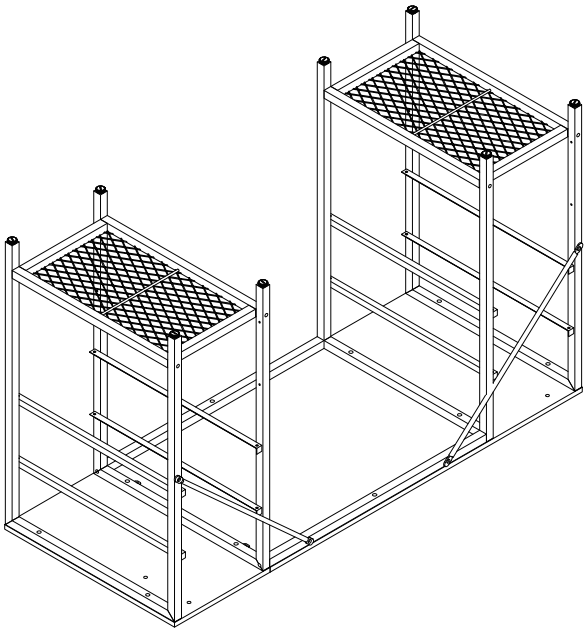
P



x4

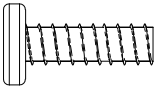


STEP 14

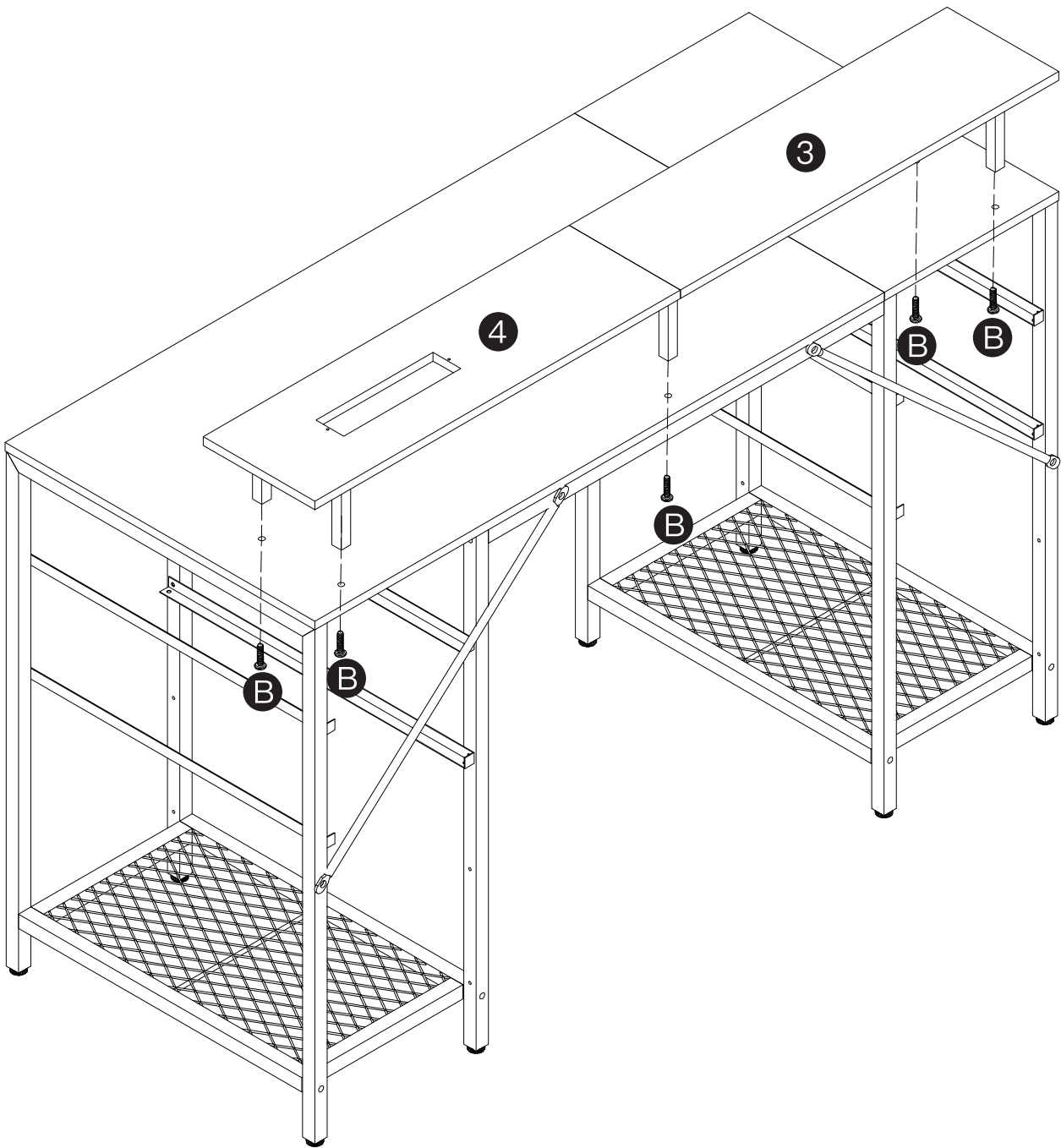


STEP 15

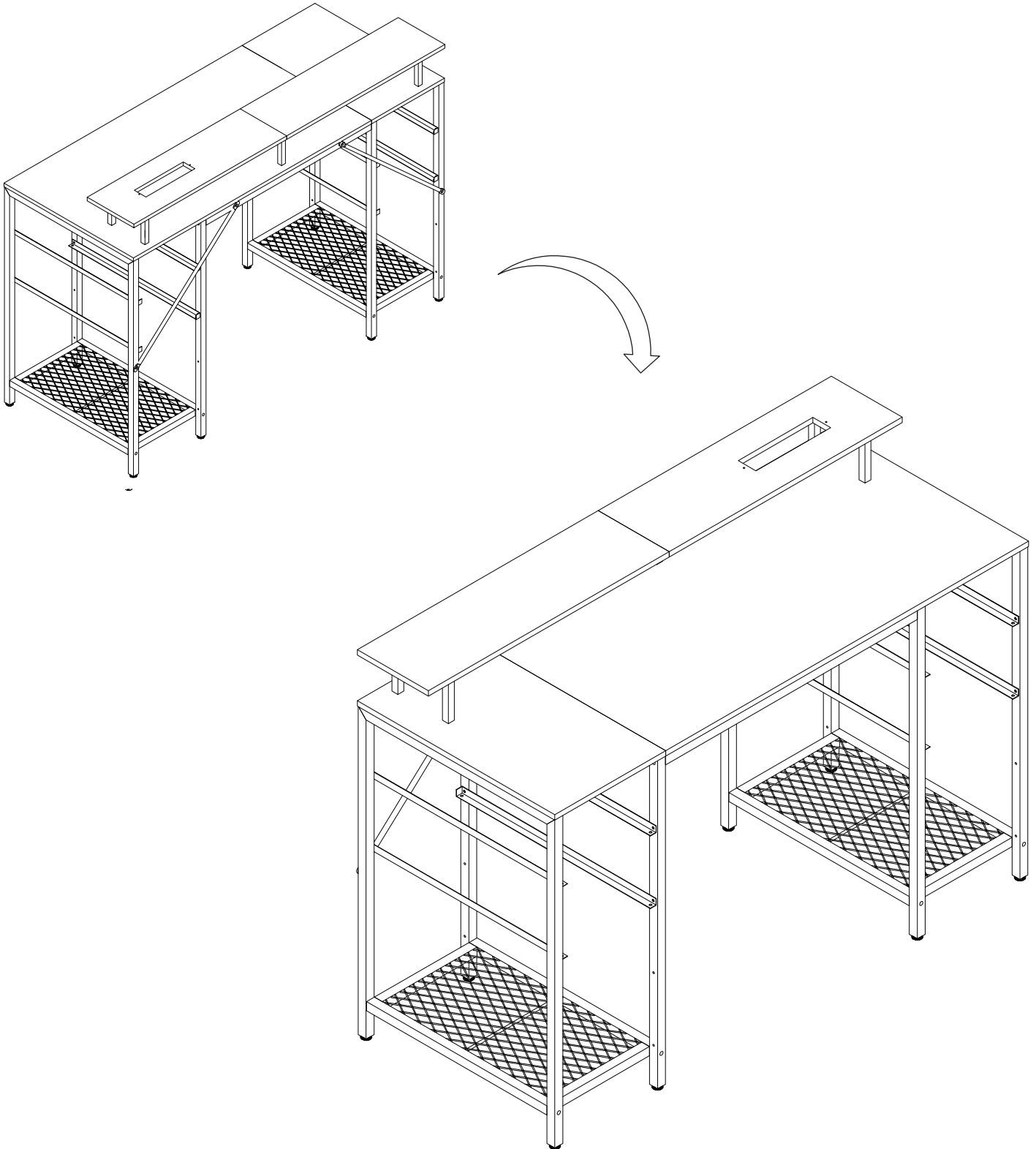
B



M6x28mm
x5

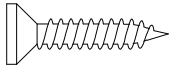


STEP 16



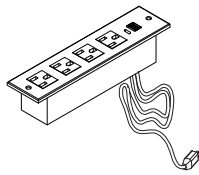
STEP 17

H

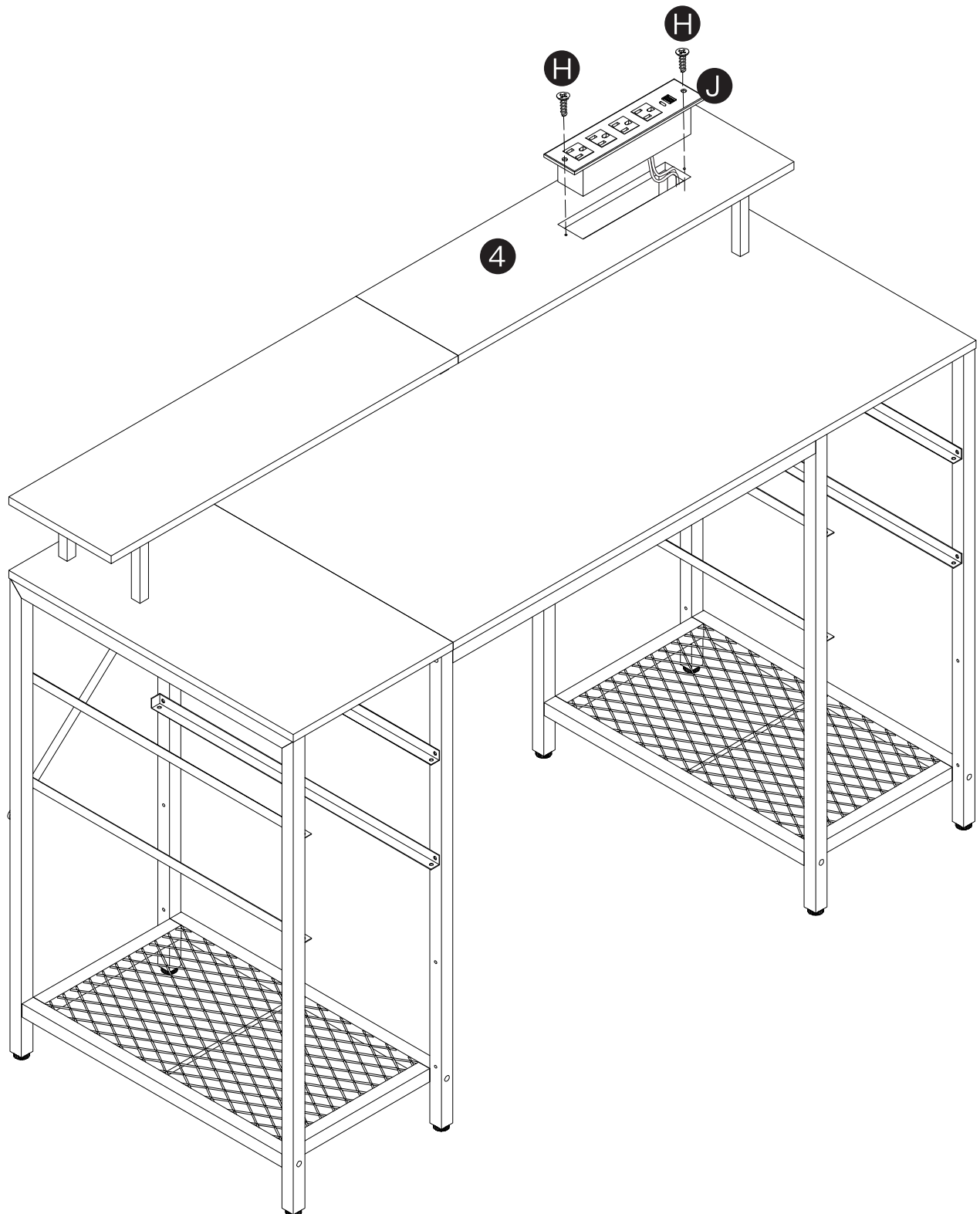


M3.5x10mm
x2

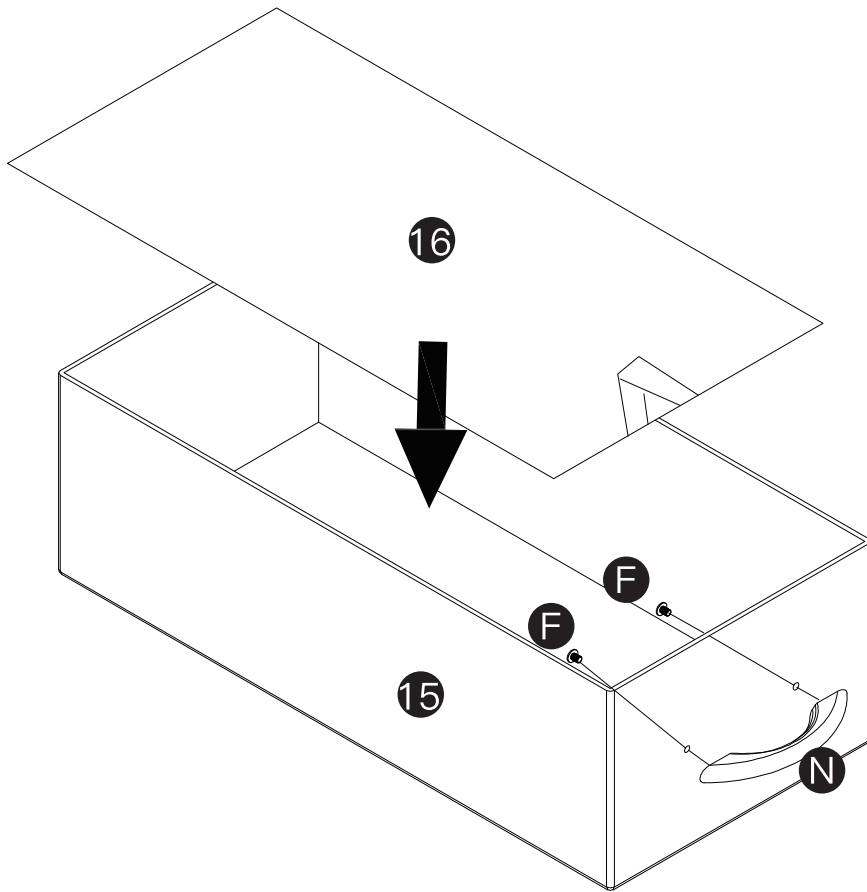
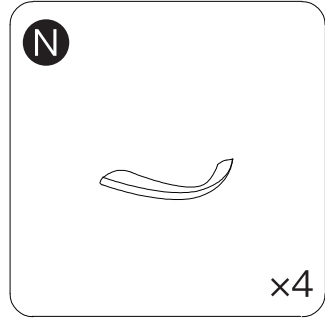
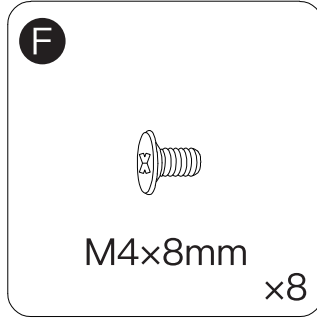
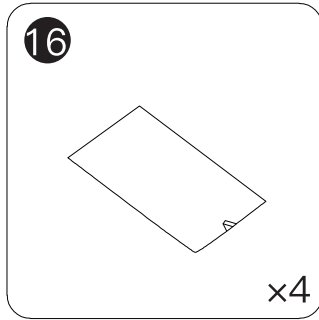
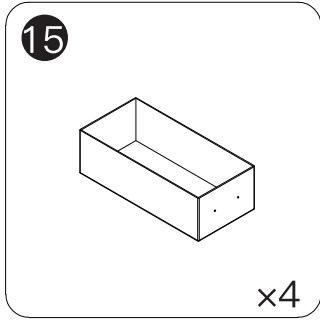
J



x1

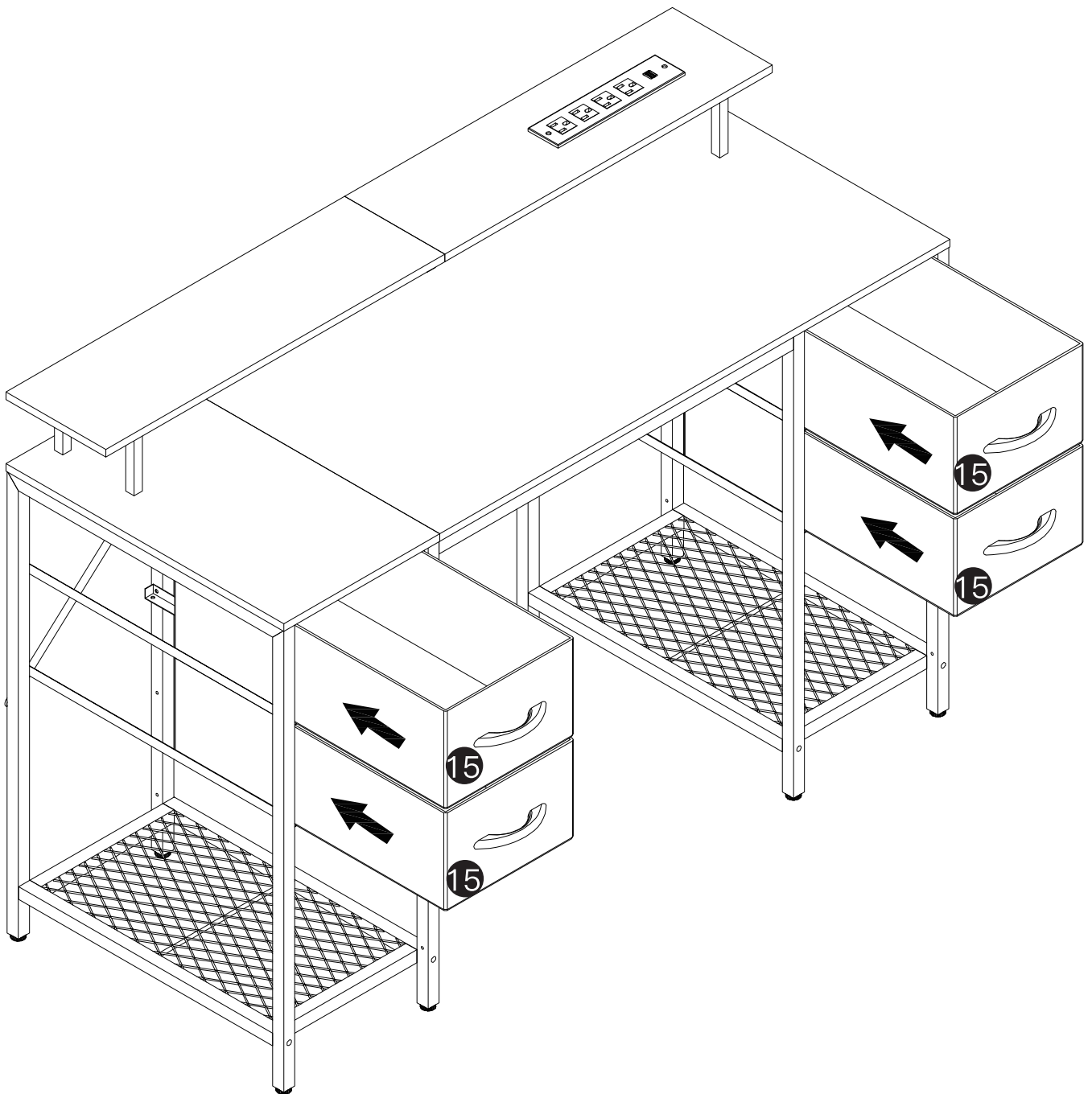


STEP 18

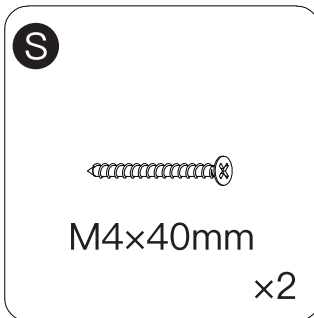
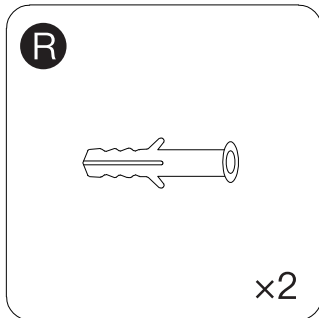
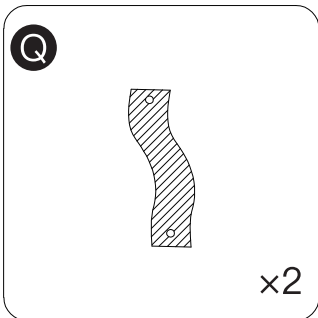


x4

STEP 19



STEP 20



WALL

