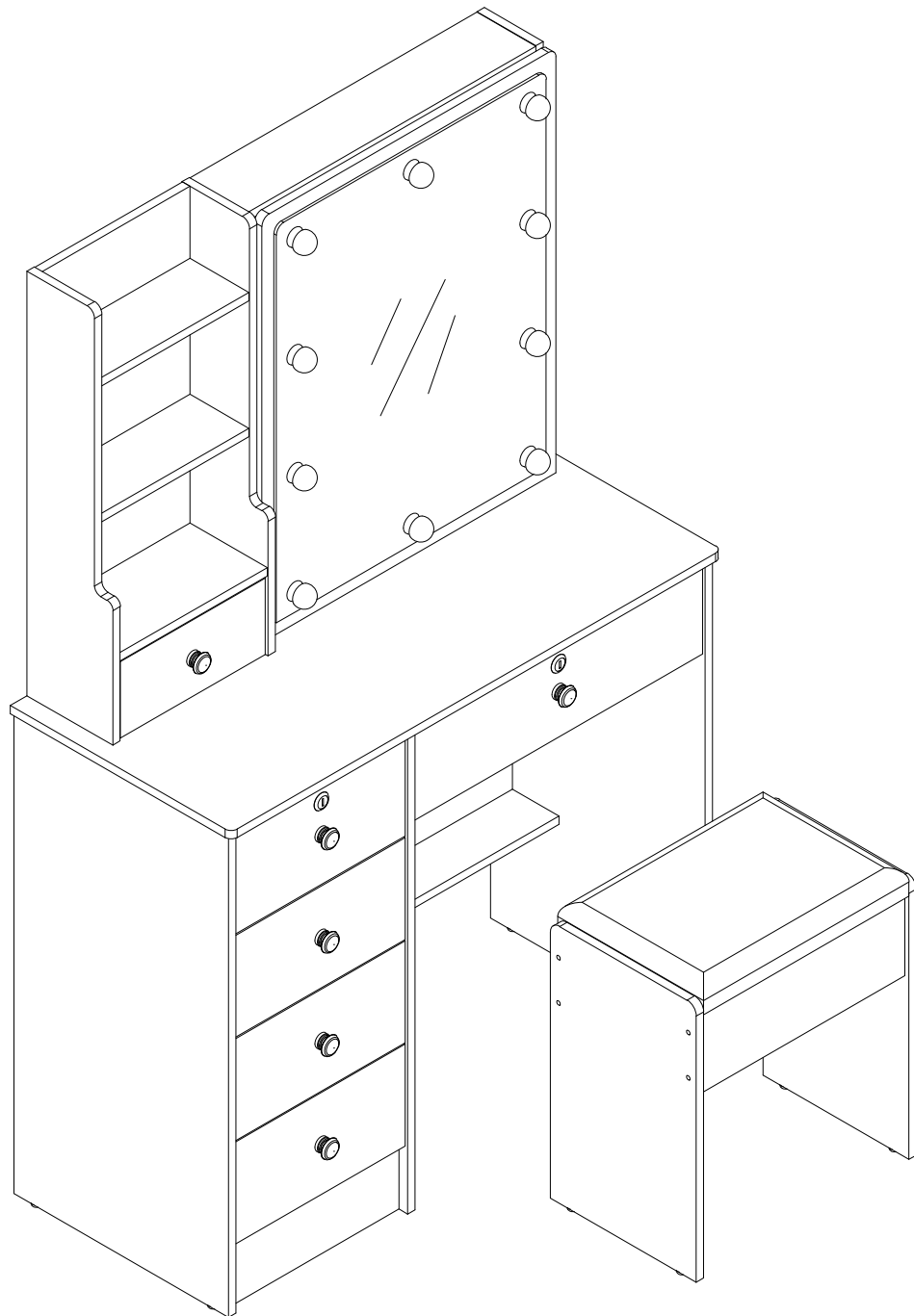
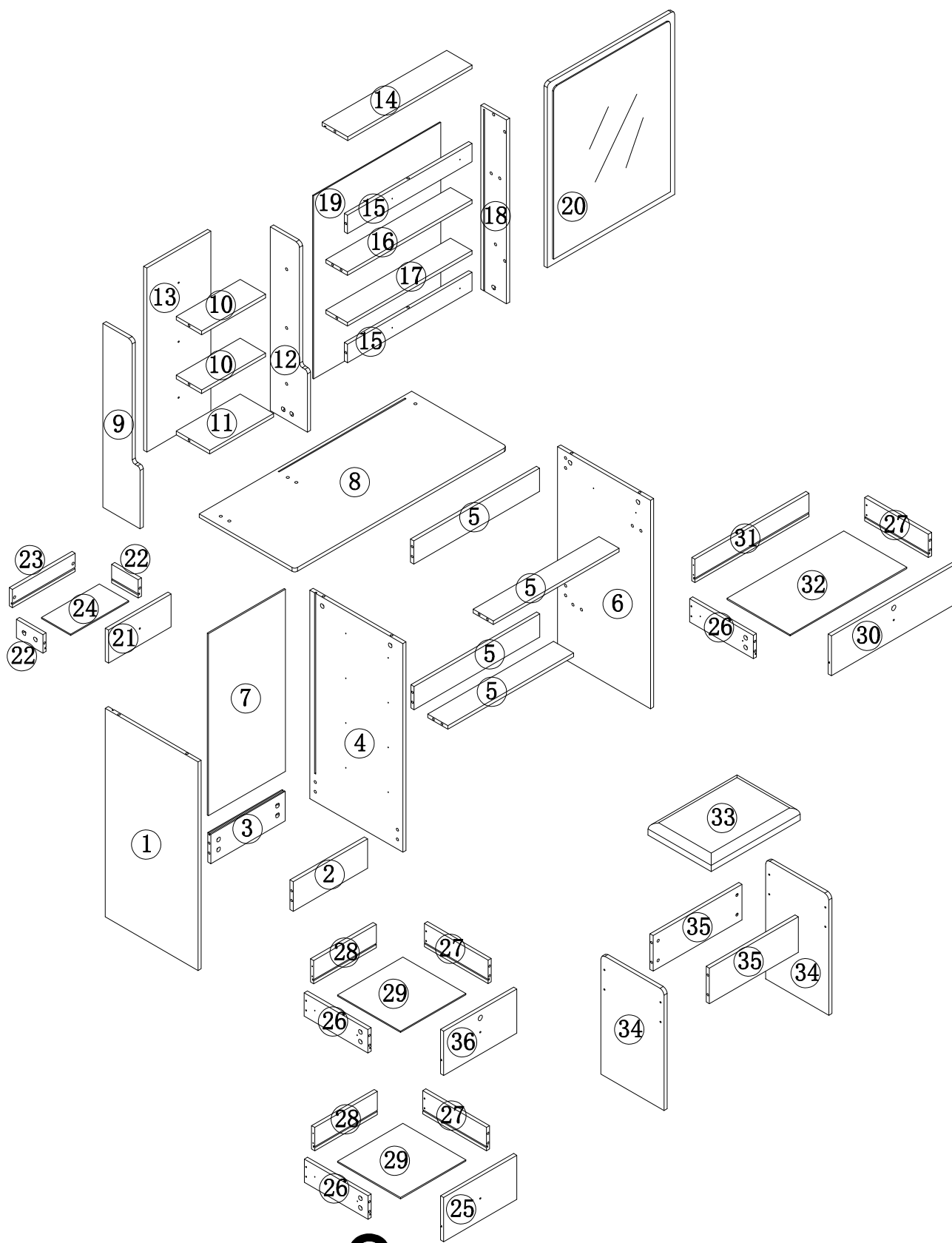


# Table

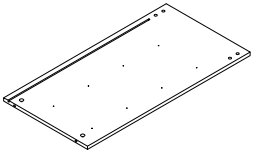
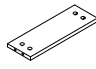
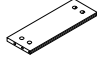
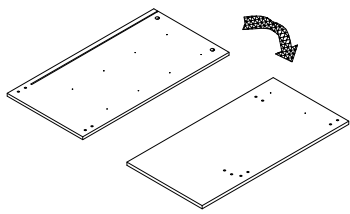
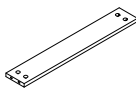
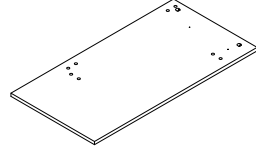
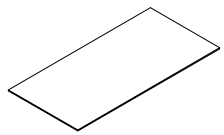
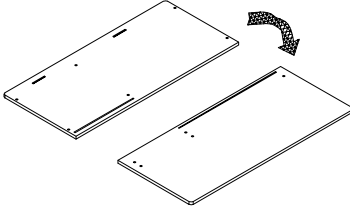
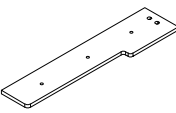
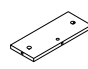
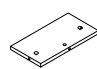
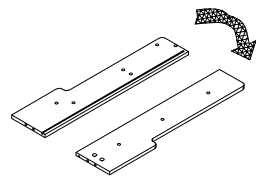
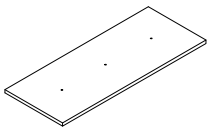
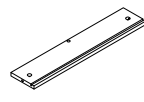
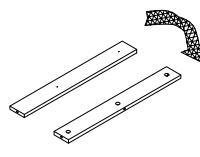
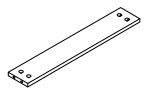
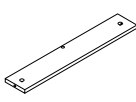
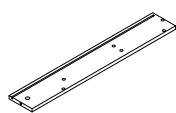
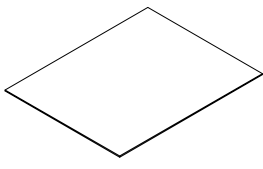
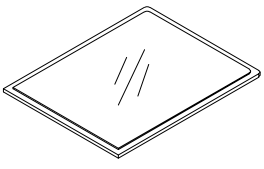
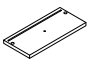

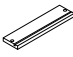
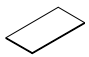


# ASSEMBLY INSTRUCTION

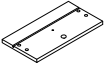
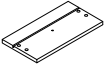
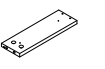
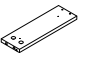

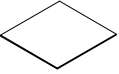
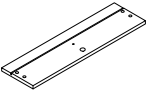

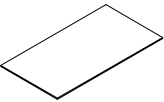
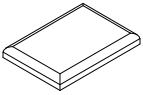
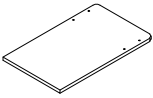
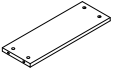


**x3**

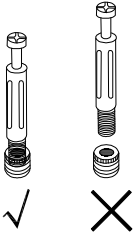
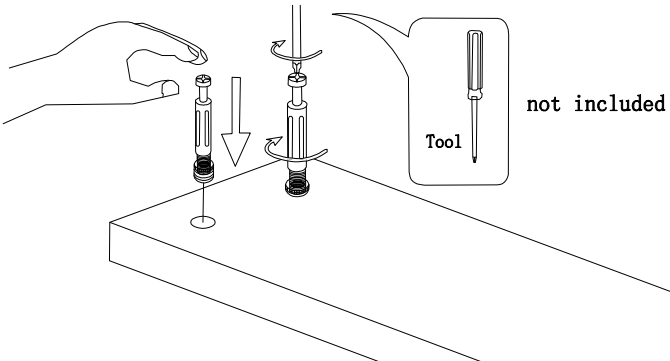
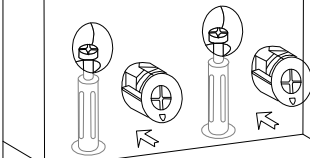
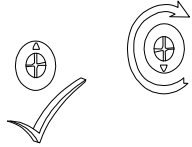
# ASSEMBLY INSTRUCTION

<p>① 1PC</p> 	<p>② 1PC</p> 	<p>③ 1PC</p> 	<p>④ 1PC</p> 
<p>⑤ 4PCS</p> 	<p>⑥ 1PC</p> 	<p>⑦ 1PC</p> 	<p>⑧ 1PC</p> 
<p>⑨ 1PC</p> 	<p>⑩ 2PCS</p> 	<p>⑪ 1PC</p> 	<p>⑫ 1PC</p> 
<p>⑬ 1PC</p> 	<p>⑭ 1PC</p> 	<p>⑮ 2PCS</p> 	<p>⑯ 1PC</p> 
<p>⑰ 1PC</p> 	<p>⑱ 1PC</p> 	<p>⑲ 1PC</p> 	<p>⑳ 1PC</p> 
<p>㉑ 1PC</p> 	<p>㉒ 2PCS</p> 	<p>㉓ 1PC</p> 	<p>㉔ 1PC</p> 



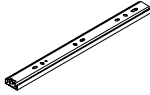




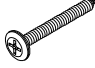
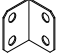
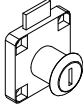
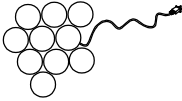




# ASSEMBLY INSTRUCTION

<p>36 1PC</p> 	<p>25 3PCS</p> 	<p>26 5PCS</p> 	<p>27 5PCS</p> 
<p>28 4PCS</p> 	<p>29 4PCS</p> 	<p>30 1PC</p> 	<p>31 1PC</p> 
<p>32 1PC</p> 	<p>33 1PC</p> 	<p>34 2PCS</p> 	<p>35 2PCS</p> 

## "A" Hardware installation example

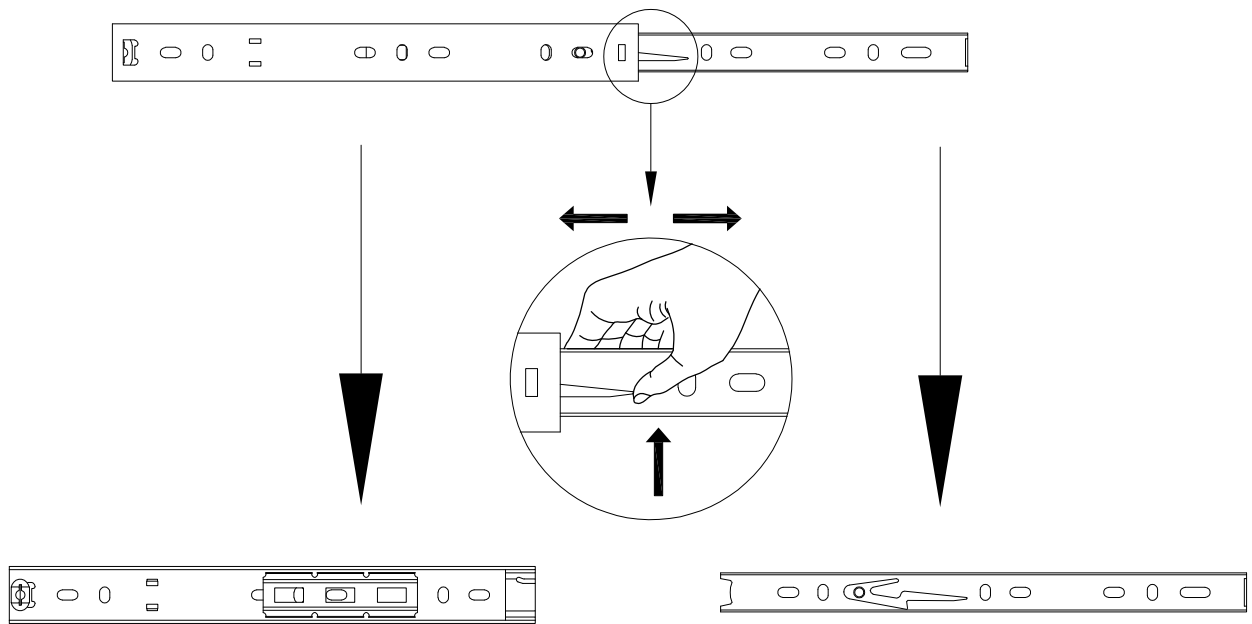
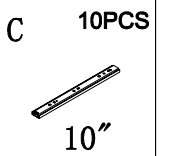
<p>I</p>  <p>This part cannot be separated, please install in strict accordance with the assembly requirements</p>	<p>II</p>  <p>not included</p>
<p>III</p> 	<p>IV</p> 

# ASSEMBLY INSTRUCTION

<p>A 79PCS</p>  <p>M6*35</p>	<p>B 79PCS</p>  <p>Ø15*10</p>	<p>C 10PCS</p>  <p>10"</p>	<p>D 56PCS</p>  <p>Ø3.5*12</p>
<p>E 6PCS</p> 	<p>F 6PCS</p>  <p>M4*16</p>	<p>G 11PCS</p> 	<p>H 11PCS</p>  <p>Ø5*40</p>
<p>I 2PCS</p> 	<p>J 2PCS</p> 	<p>K 1PC</p> 	<p>L 8PCS</p>  <p>Ø3.5*16</p>
<p>M 10PCS</p> 	<p>N 2PCS</p>  <p>14"</p>	<p>X 20PCS</p>  <p>Ø3.5*30</p>	

## Step 1

# Cx10



C1

C2

# ASSEMBLY INSTRUCTION

## Step 2

Guidelines for the use of 3-in-1 connecting rods :

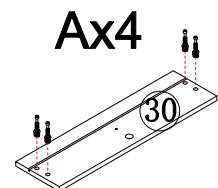
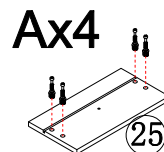
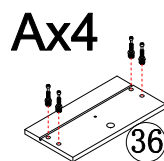
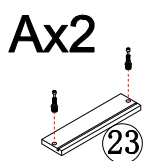
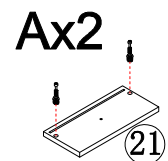
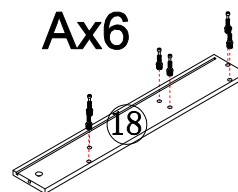
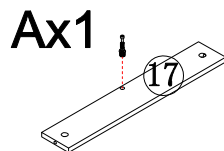
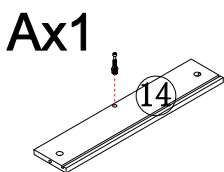
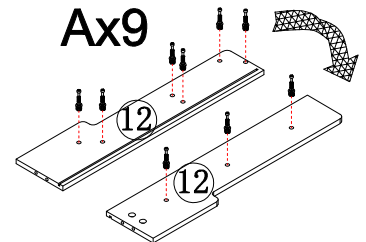
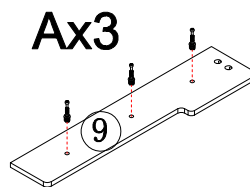
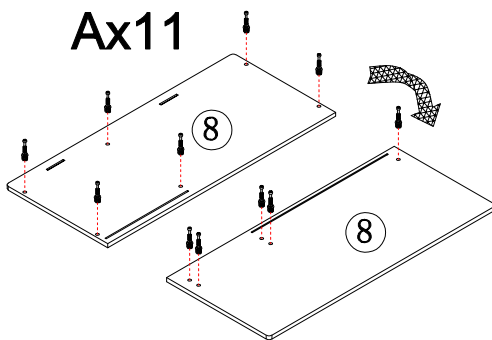
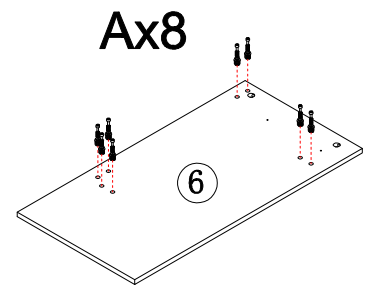
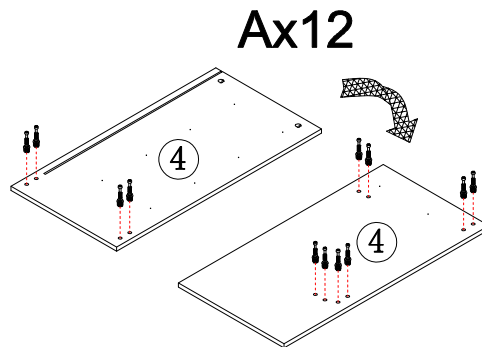
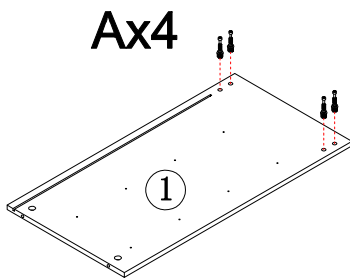
The blue screw cap at the top of the 3-in-1 connecting rod is twist-able, and it can be twisted clockwise or counterclockwise to fit the size of the reserved holes in the wooden board. When this blue screw cap is too tight or too loose, it may not be able to be inserted into the holes reserved.

When you use this 3-in-1 connecting rod, if you find that it can't be inserted into the reserved holes on the wooden board, just loosen or tighten the blue screw cap a bit until it fits into the holes of the board.

A 79PCS



M6\*35



**x3**

# ASSEMBLY INSTRUCTION

## Step 3

C1 10PCS



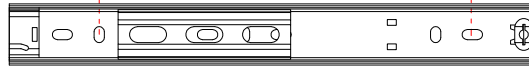
10"

D 20PCS

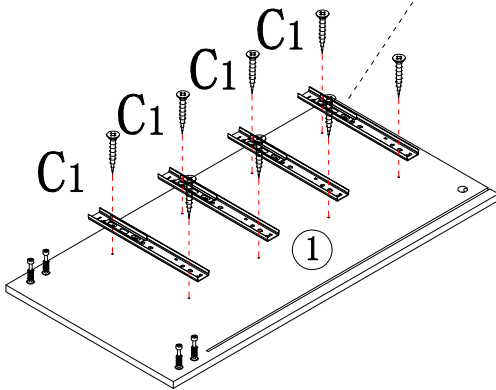


Ø3.5\*12

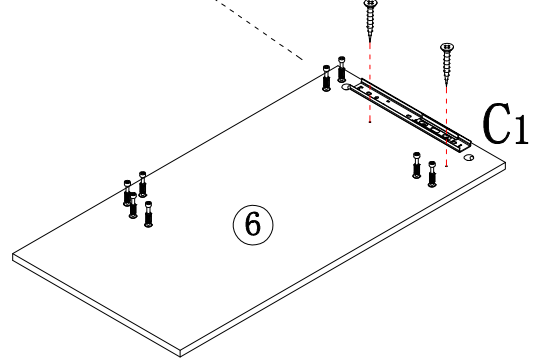
C1



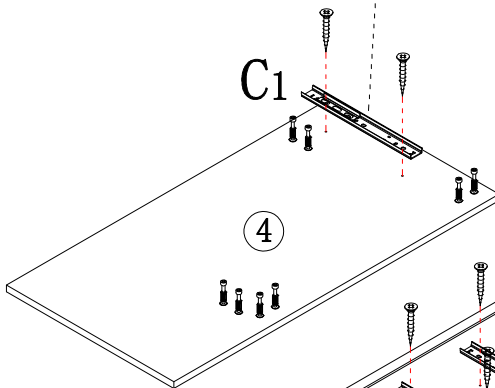
Dx8



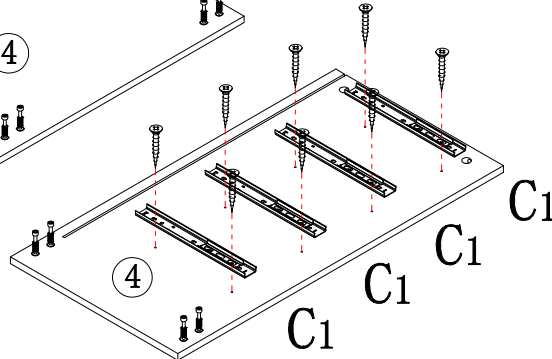
Dx2



C1




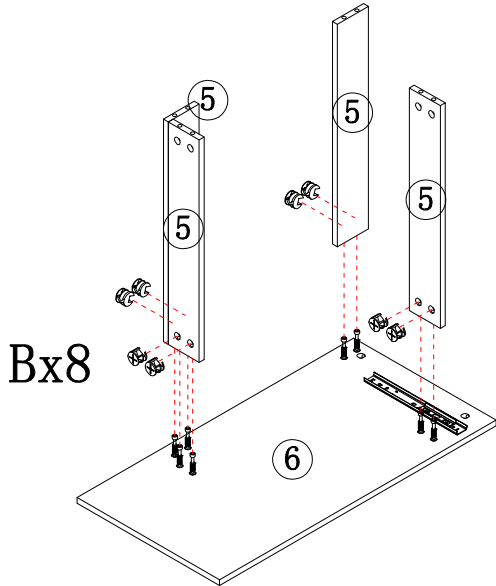
Dx10




# ASSEMBLY INSTRUCTION

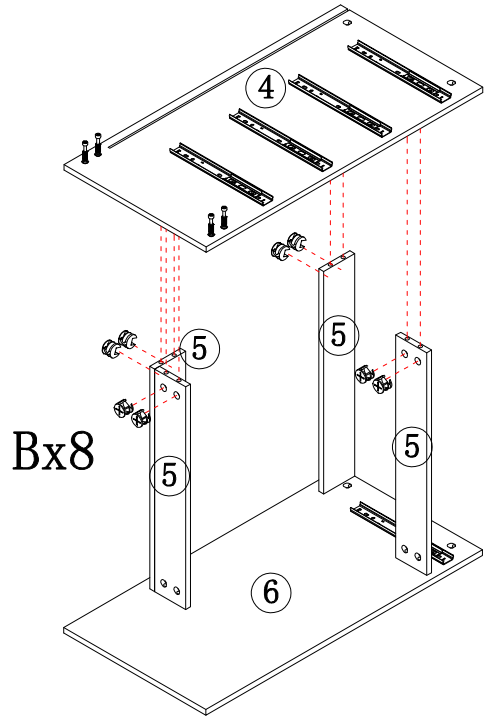
## Step 4

B 8PCS  
  
Ø15\*10




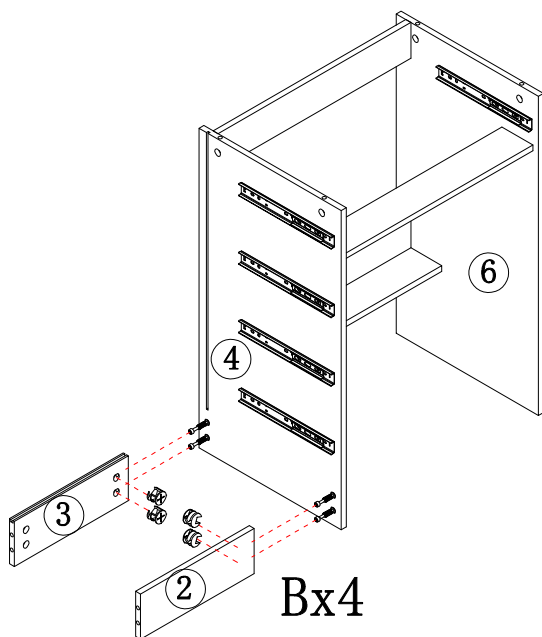
## Step 5

B 8PCS  
  
Ø15\*10




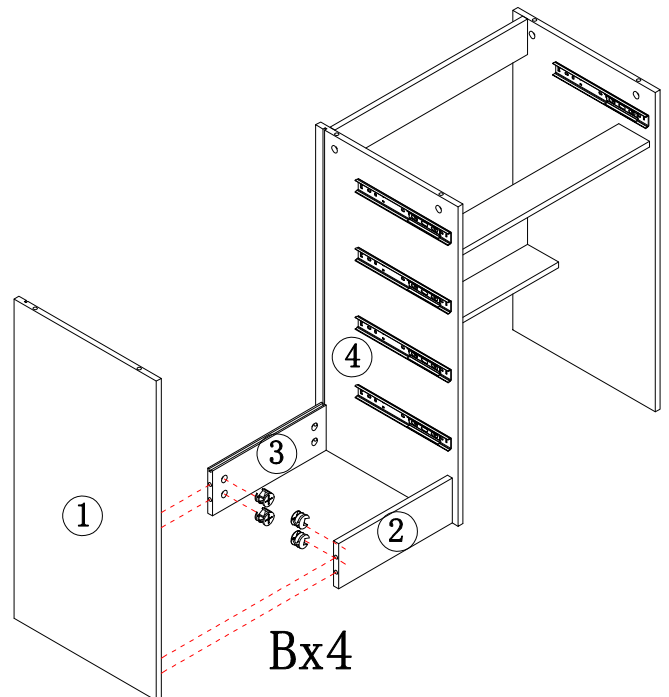
## Step 6

B 4PCS  
  
Ø15\*10



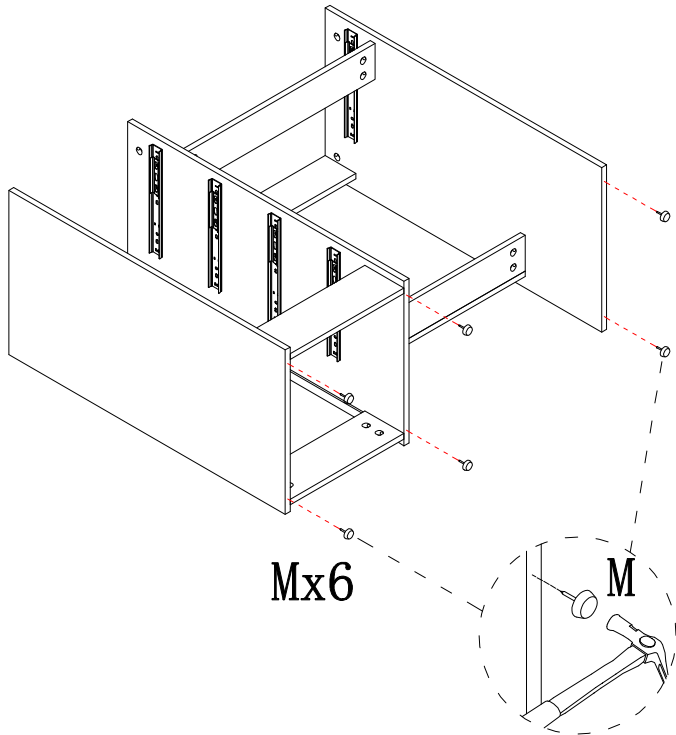
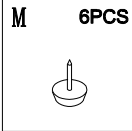
## Step 7

B 4PCS  
  
Ø15\*10

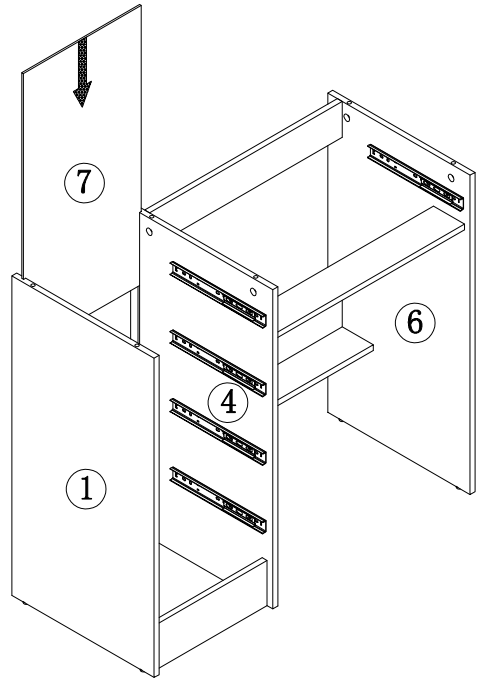


# ASSEMBLY INSTRUCTION

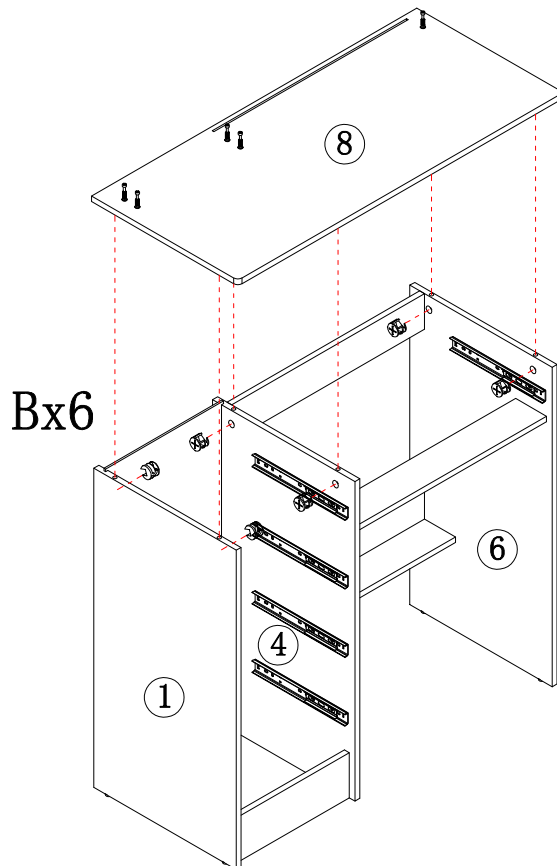
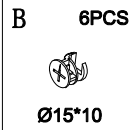
## Step 8



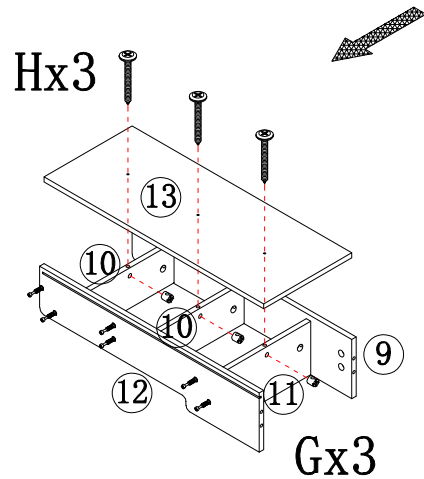
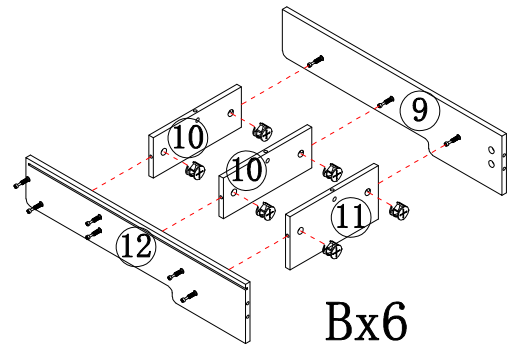
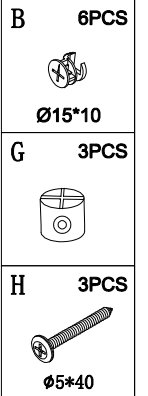
## Step 9



## Step 10

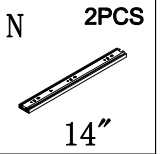


## Step 11

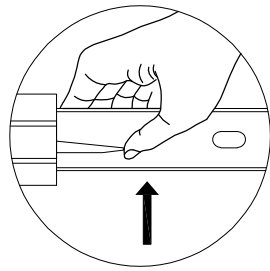
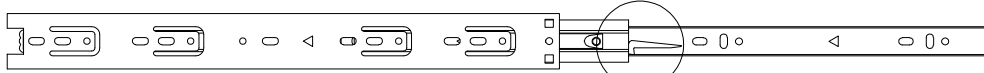


# ASSEMBLY INSTRUCTION

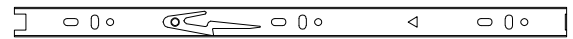
## Step 12



Nx2

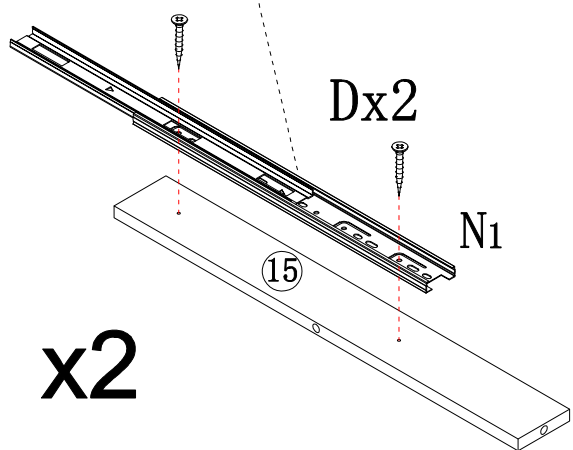
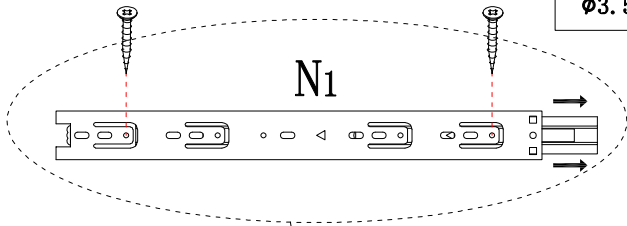
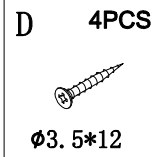
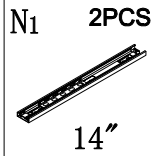


N1

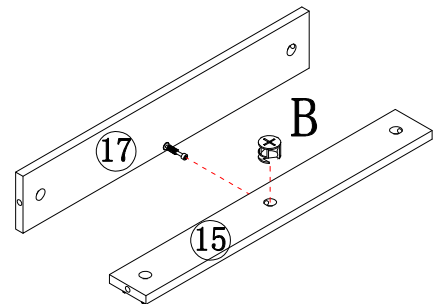
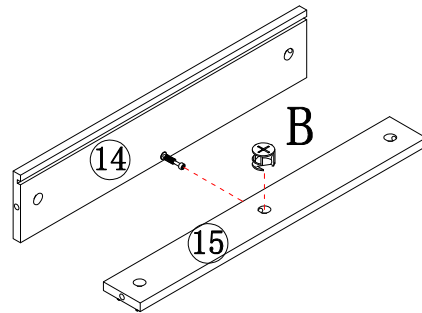
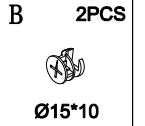


N2


## Step 13

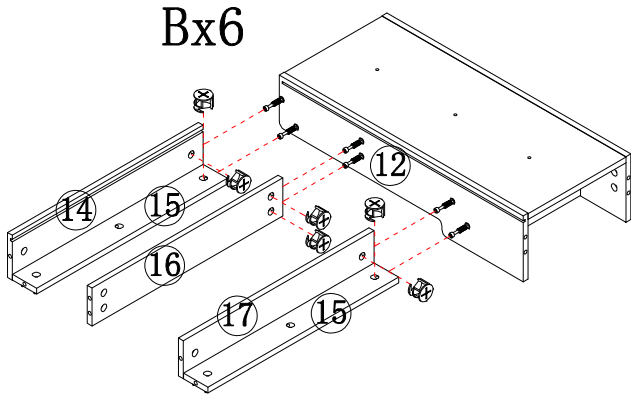


## Step 14




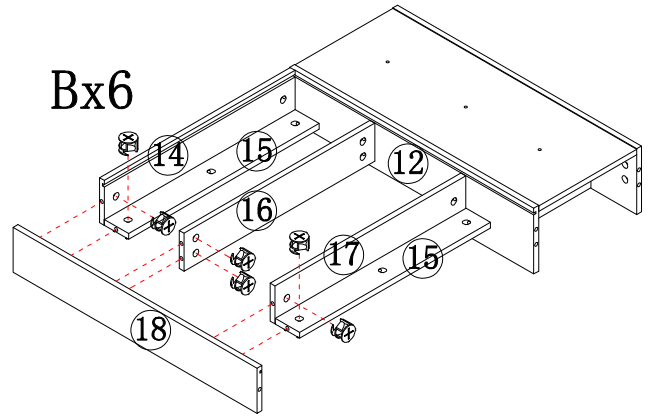
## Step 15

B 6PCS  
  
Ø15\*10

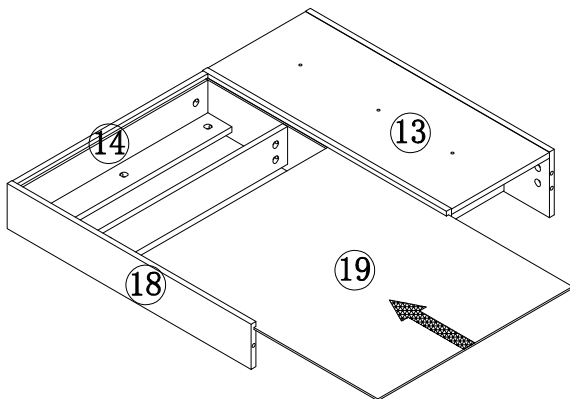


## Step 16


B 6PCS  
  
Ø15\*10

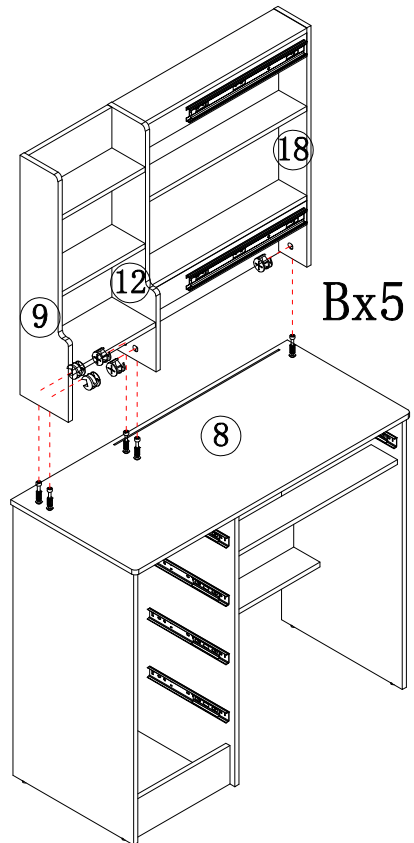


## Step 17





## Step 18

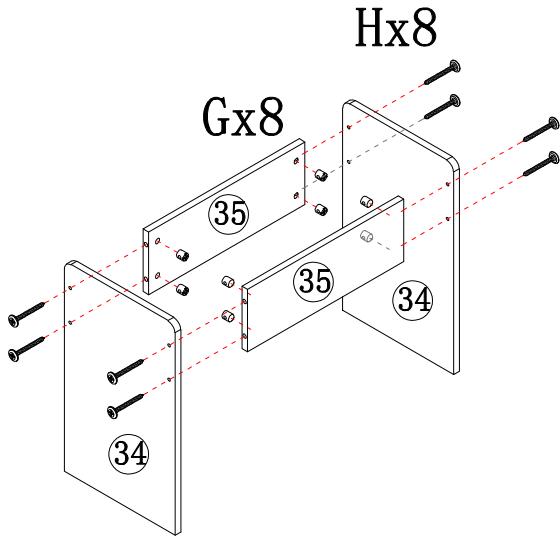
B 5PCS  
  
Ø15\*10





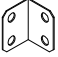
# ASSEMBLY INSTRUCTION

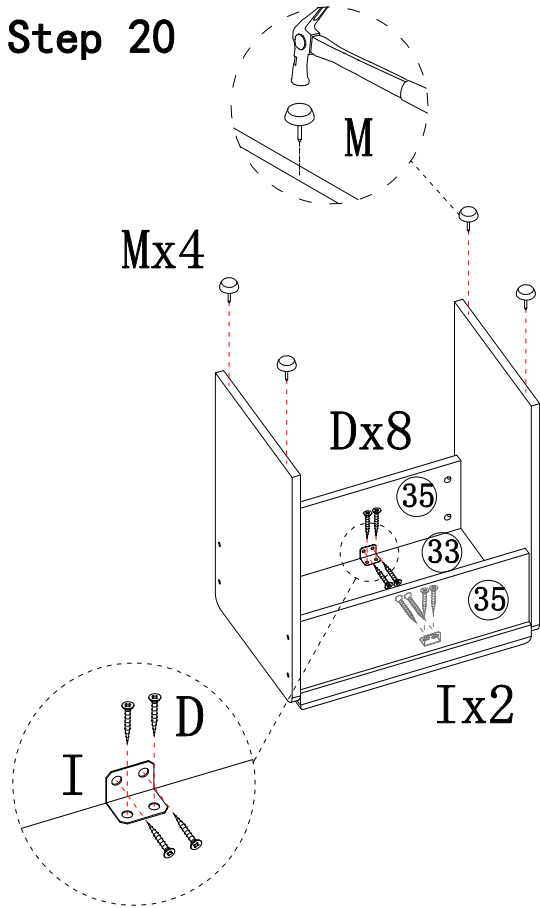
## Step 19

- G 8PCS  

- H 8PCS  
  
Ø5\*40




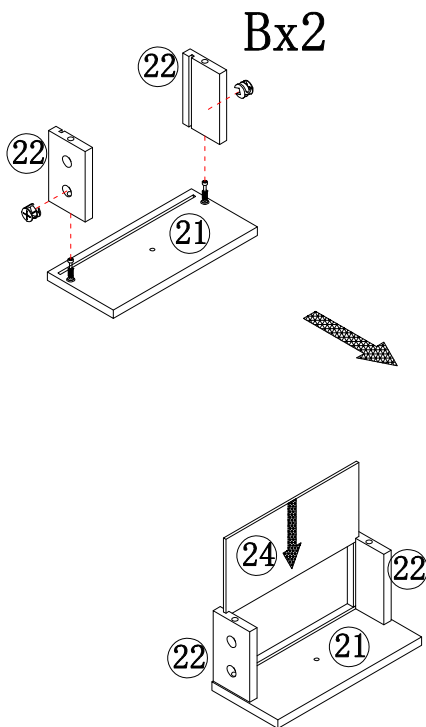
## Step 20

- M 4PCS  

- D 8PCS  
  
Ø3.5\*12
- I 2PCS  







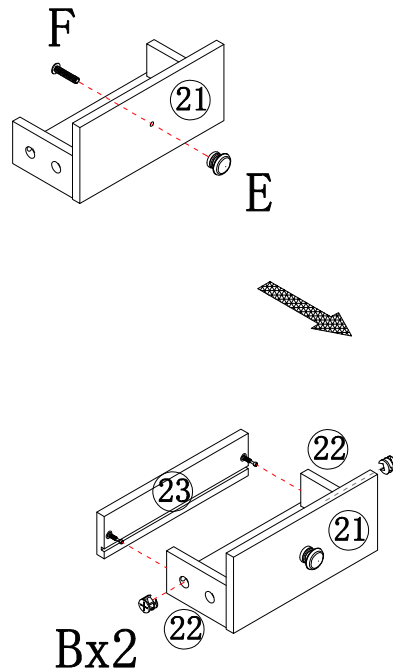
## Step 21

- B 2PCS  
  
Ø15\*10

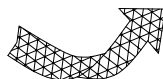
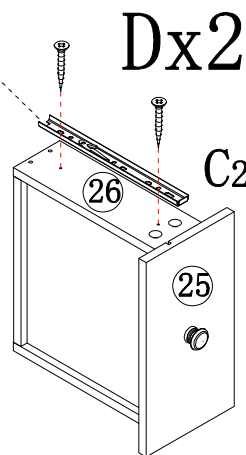
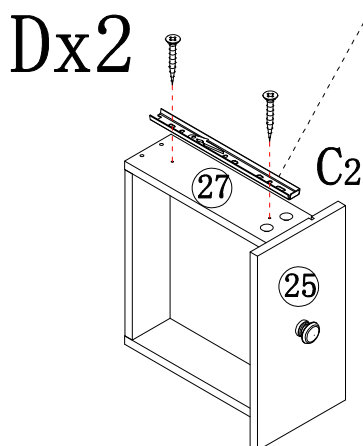
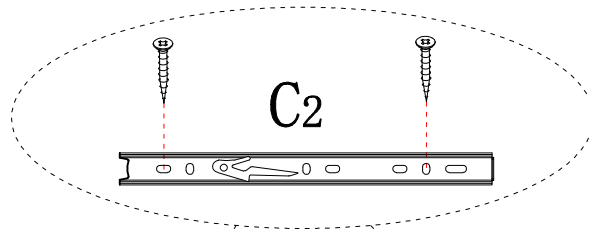
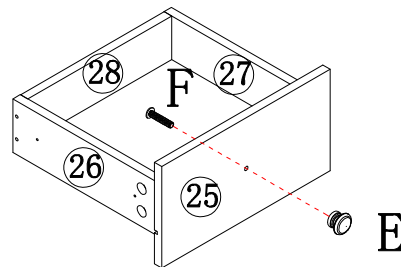
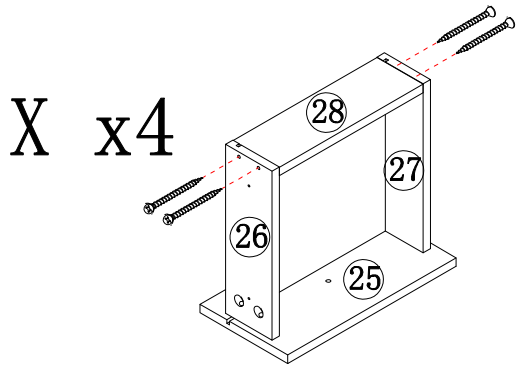
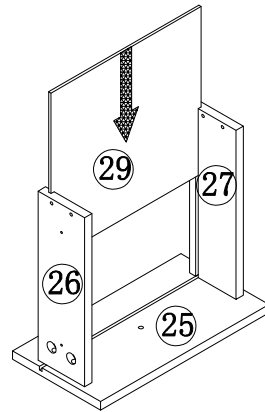
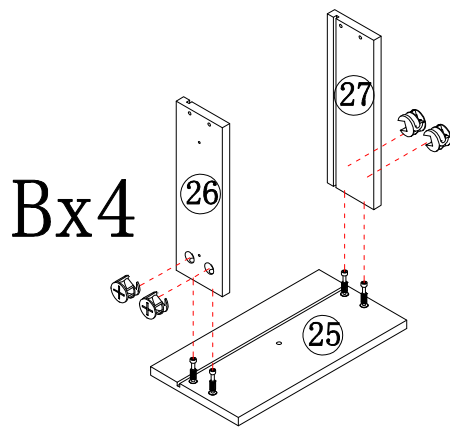


## Step 22







- B 2PCS  
  
Ø15\*10
- E 1PC  

- F 1PC  
  
M4\*16



## Step 23

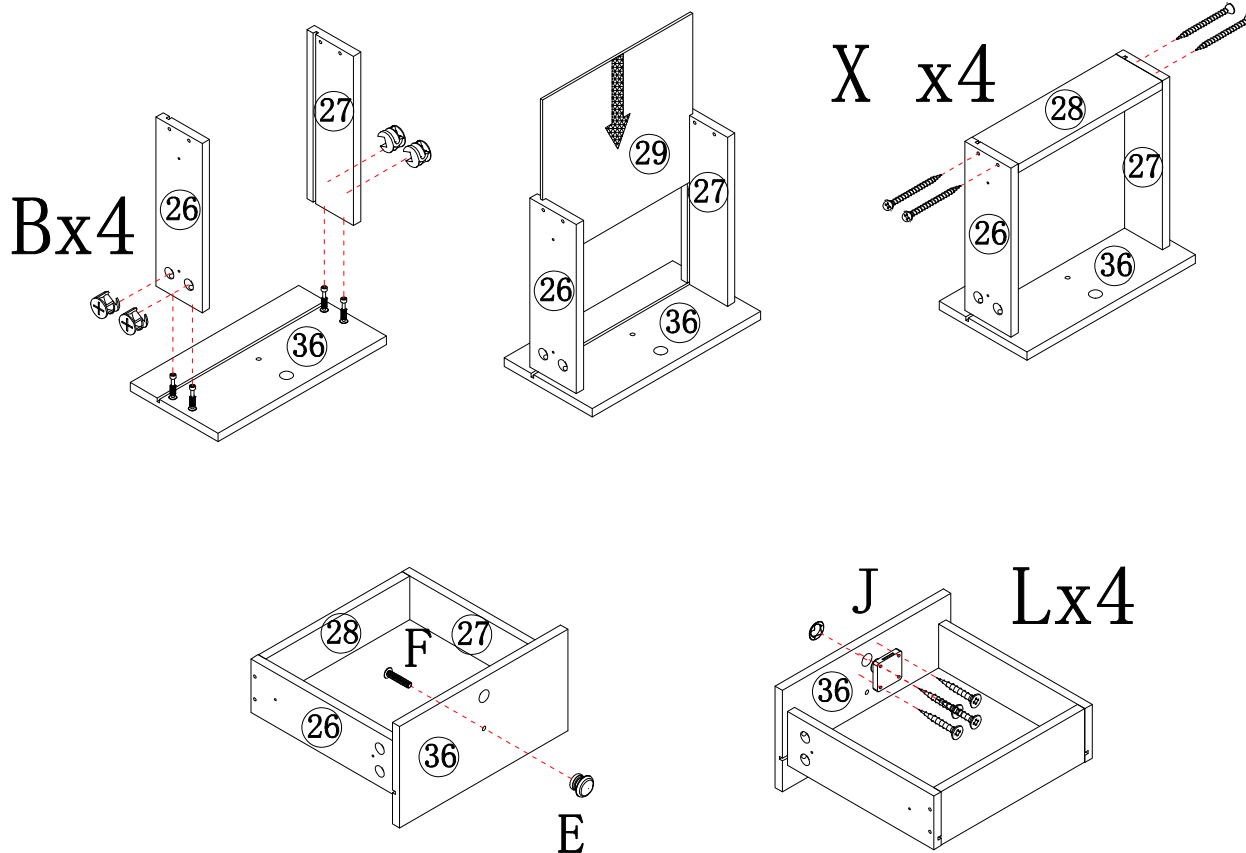


# x3

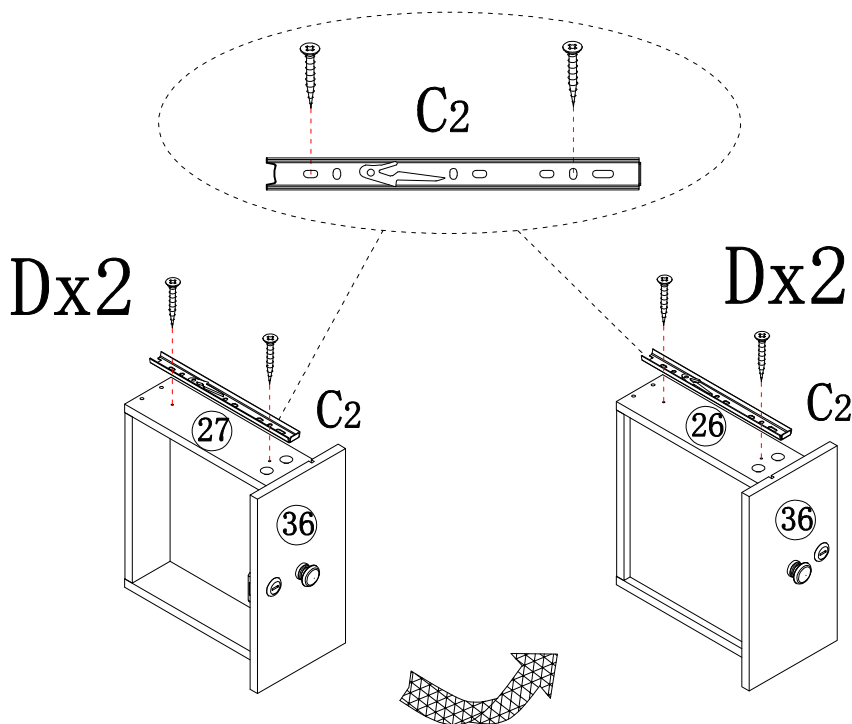
B	12PCS
	
	Ø15*10
C2	6PCS
	
	10"
D	12PCS
	
	Ø3.5*12
E	3PCS
	
F	3PCS
	
	M4*16
X	12PCS
	
	Ø3.5*30

# ASSEMBLY INSTRUCTION

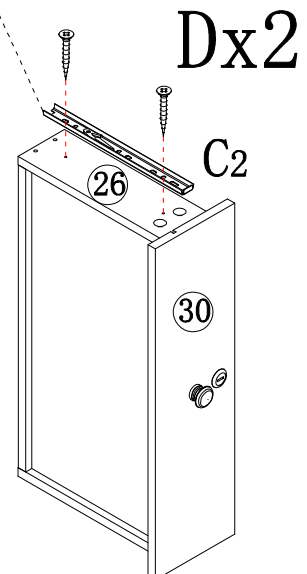
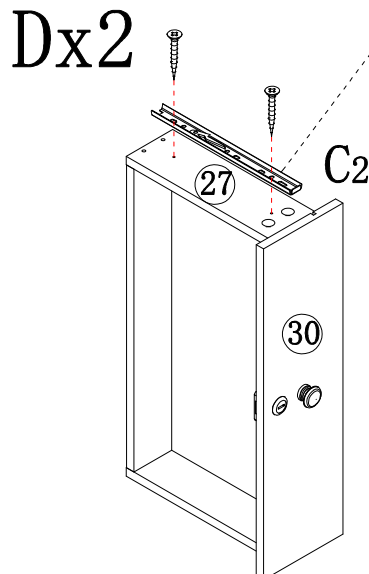
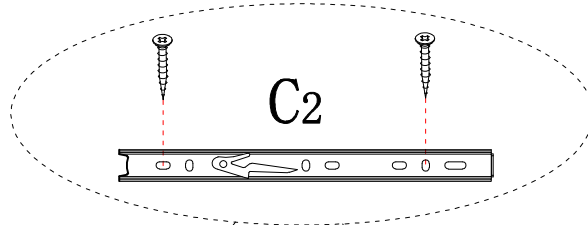
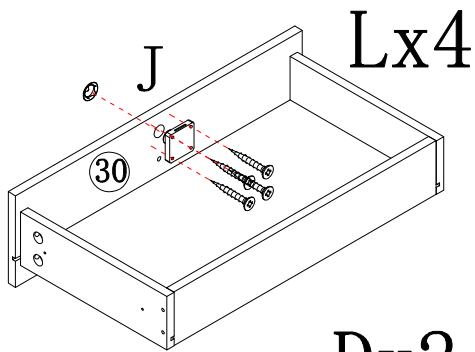
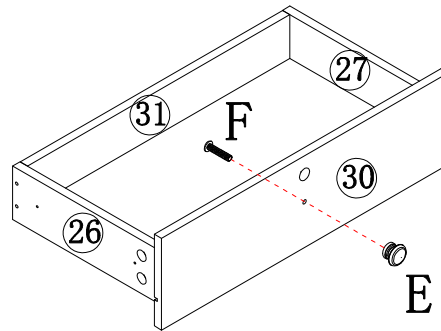
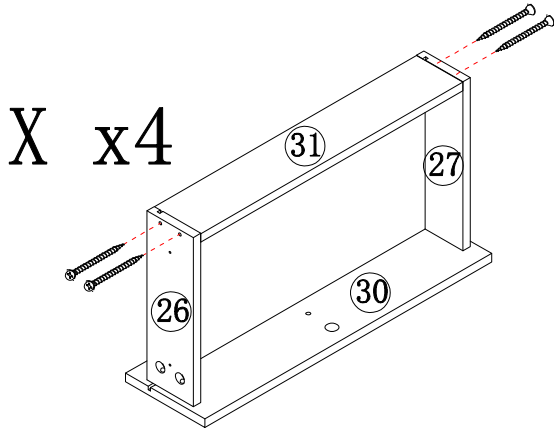
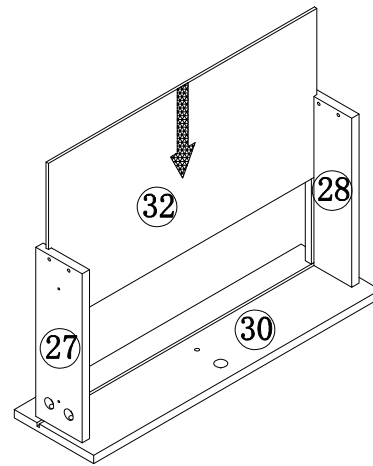
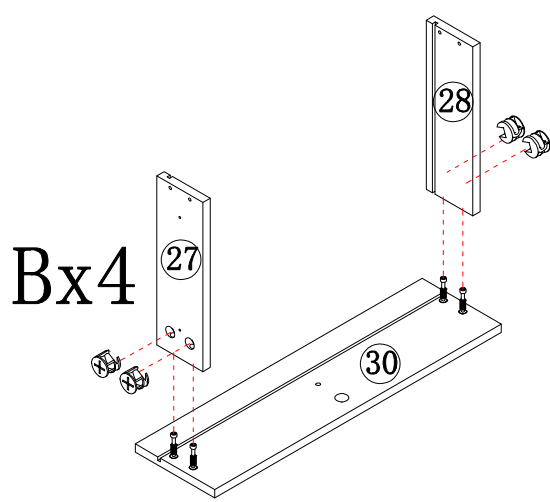
## Step 24



B	4PCS
	Ø15*10
C2	2PCS
	10"
D	4PCS
	Ø3.5*12
E	1PC
F	1PC
	M4*16
J	1PC
L	4PCS
	Ø3.5*16
X	4PCS
	Ø3.5*30

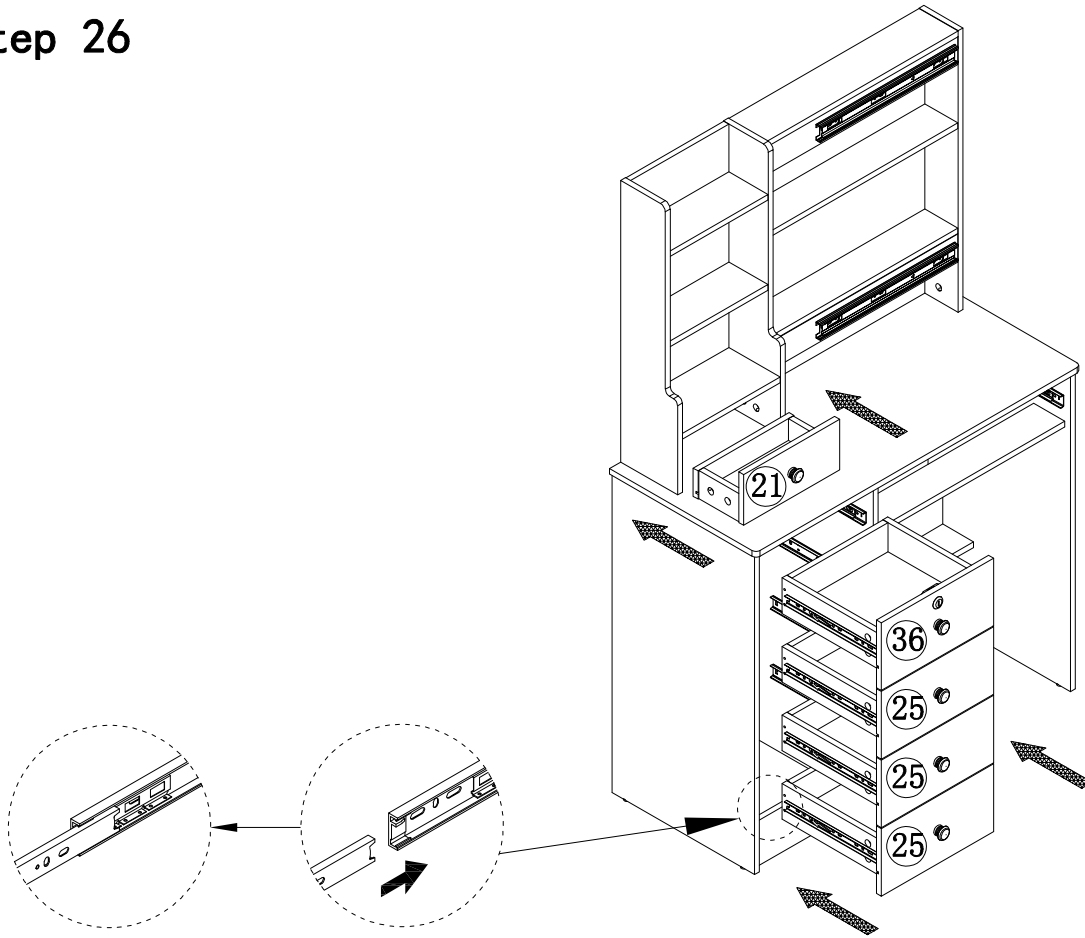


## Step 25

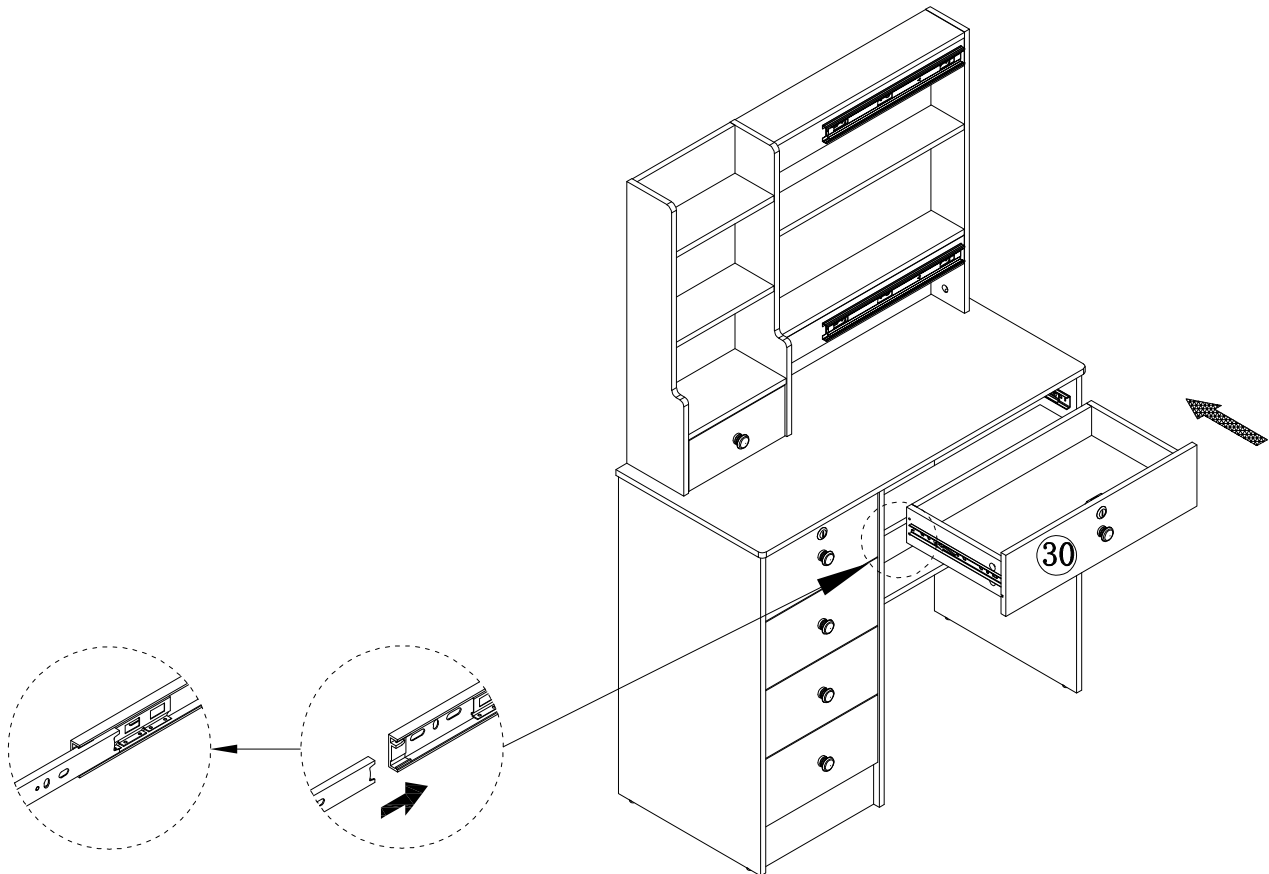


B	4PCS
	Ø15*10
C2	2PCS
	10"
D	4PCS
	Ø3.5*12
E	1PC
F	1PC
	M4*16
J	1PC
L	4PCS
	Ø3.5*16
X	4PCS
	Ø3.5*30

## Step 26


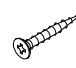


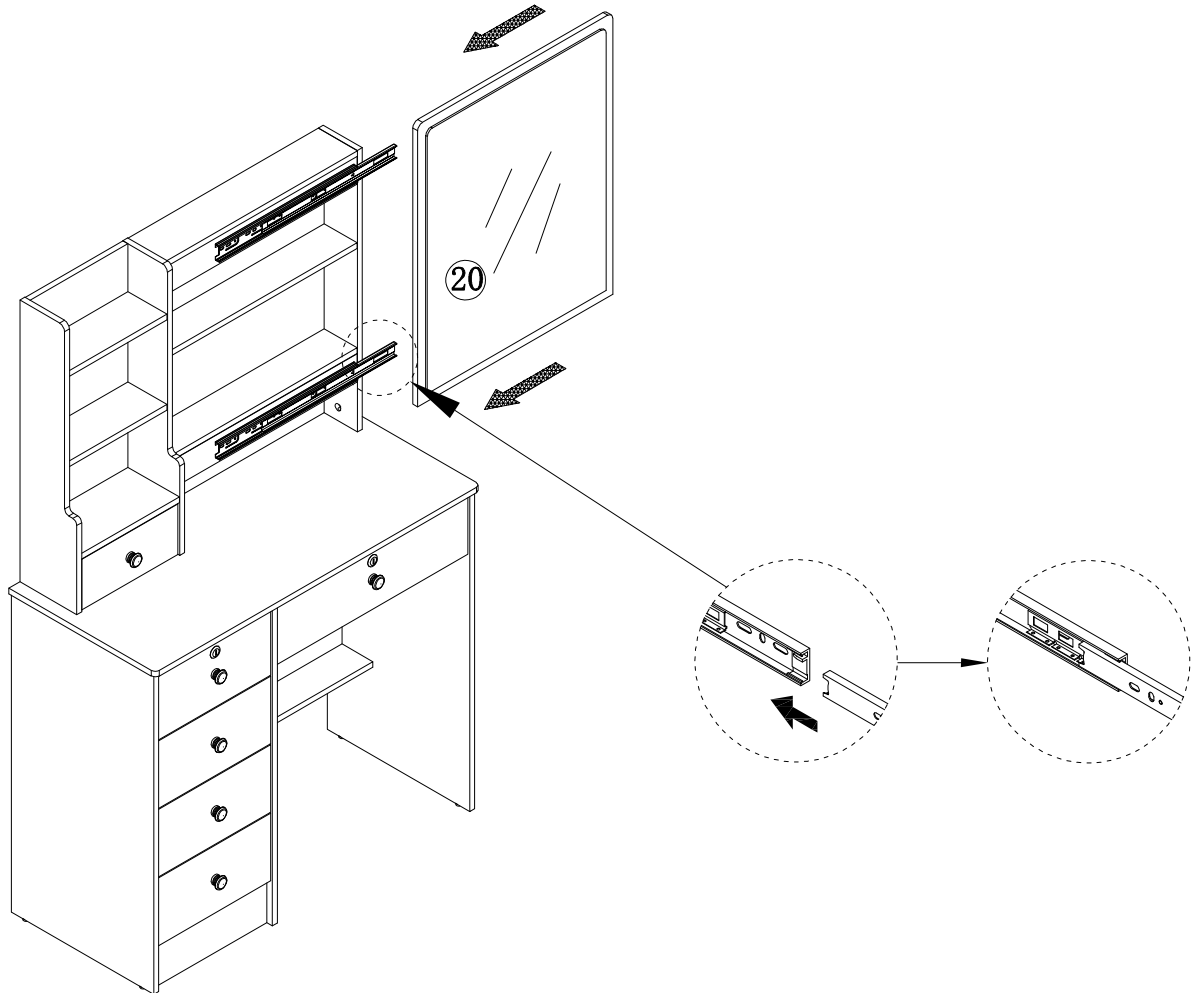
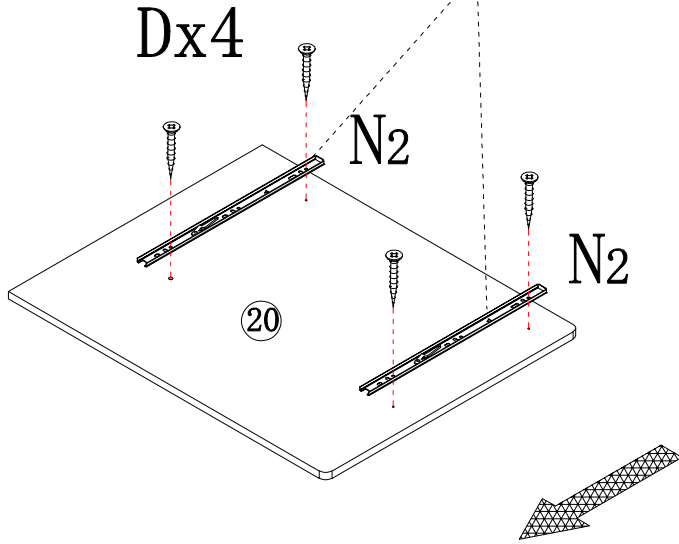
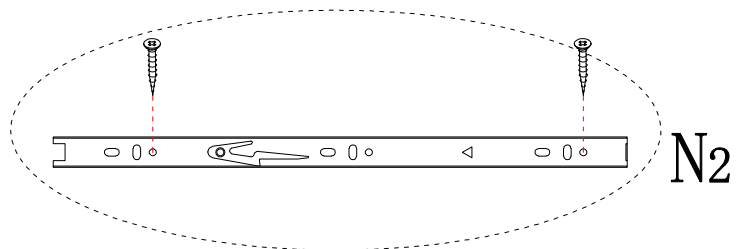
## Step 27



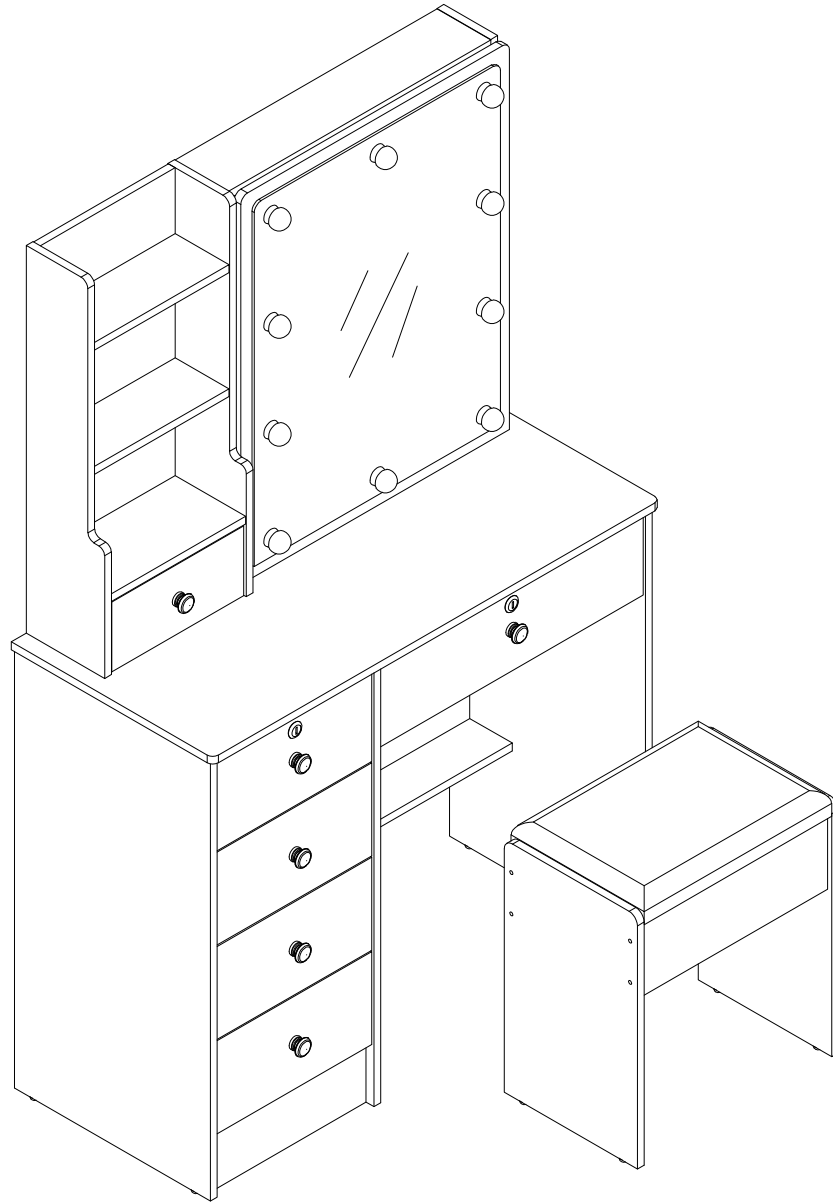
# ASSEMBLY INSTRUCTION

## Step 28

N2	2PCS
	
14"	
D	4PCS
	
Ø3.5*12	



## Step 29



OK