

Specifications:

Installation:	Vessel
Exterior Dimensions:	Ø 17 5/8" x 5 3/4" h
Material:	Solid surface
Weight:	20 lbs
Overflow:	Yes
Finishes:	M - Matte white G - Gloss white
Faucet Holes:	00 - no hole 01 - one centered hole
Cut-out Size:	17" x 12" (template available upon request)
Faucet Hole Size:	Ø 1 3/8"
Drain Hole Size:	Ø 1 3/4"



Features:

- Solid surface sink with overflow
- Material is stain, scratch, chemical, and impact resistant
- Designed by Paolo Demarco
- Finished exterior
- Finished bottom

Codes + Standards:

- Meets and exceeds applicable national codes and standards

ADA compliant when installed to specific requirements of this regulation

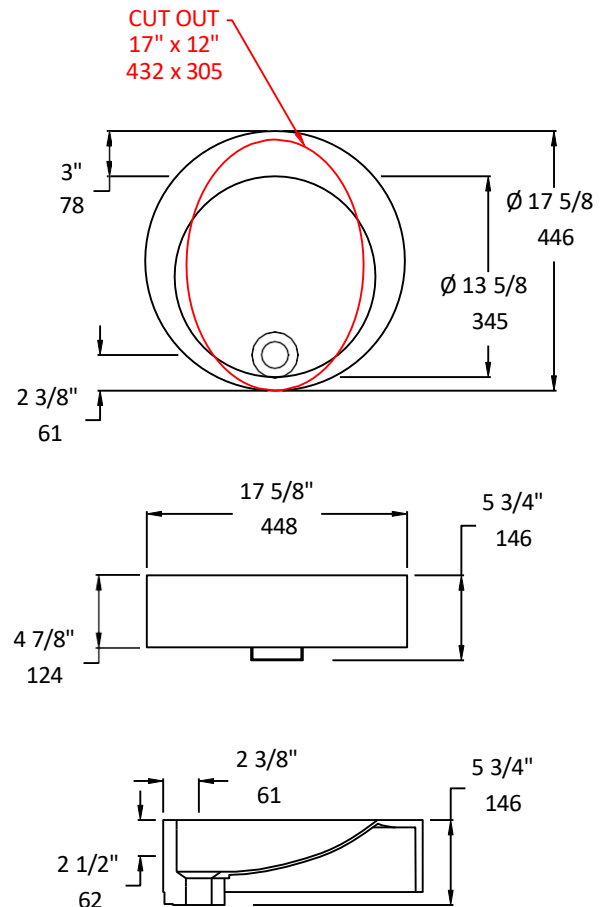
Recommended Items:

- European drain with overflow
 - 7100-160F

Care + Maintenance:

- To prevent damage to the solid surface material, hot objects and open flame should not be placed in direct contact with the surface

[Click Here](#) to find out more about proper care and maintenance



LACAVA reserves the right to revise any dimension or information on this sheet without notice. Dimensions are nominal and may vary within an industry accepted tolerance of 1/4". Drawings provided herein are meant to give the user an idea of the product and are not made to scale.

Revised: 11/24/25