

- 1.Note:This is not a clothing storage cabinet and it is not recommended to use it as a clothing storage cabinet.
- 2.All cabinets come with TRD,stainless steel or our "L-Bracket" when shipped.

1. Thank you for choosing **our products**.

2. Return Policy




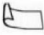



DO NOT RETURN TO THE STORE! Skip the process of returning your product and contact us directly for a replacement

If you find that parts of your order are missing or damaged, we will gladly ship any needed replacement parts free of charge.

If your product's quality does not meet your expectations or you have found any sort of defect, please contact our customer service department and let us know the details of your order and any issues encountered, we will try our best to provide you with a solution. Feel free to also directly contact our manufacturer concerning needed replacement parts and they will be happy to help provide you with a solution or answer any questions you may have.

Recommendations Before Beginning Assembly











-  • Read instructions, cover to cover
-  • Have 2-4 adults on hand for assembly depending on product size
-  • Do not assemble directly on flooring or carpet
-  • Assemble on a clean non-marring surface (example: packing foam)
-  • Save all packaging until finished

3. Assembly Notice:

- If you encounter any problems during assembly and find that you cannot continue, rest assured we will help you solve the situation as soon as possible. Simply keep all of the parts of the product stored in a safe place and contact us immediately so we may assist you further.
- Once you have opened your package, remove all inner hardware packages and take the parts out. One by one, Place the parts out neatly in front of you, then refer to the instructions to ensure no parts are missing. If any pieces are found missing, please carefully look in the box first, as the hardware packaging might have torn making the hardware spill in the box.

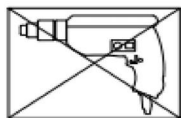
- Some key parts of your product may be stored and hidden inside of other parts. Please open any zippered or hook & loop storage compartments to remove all parts. (example: cushions and legs being stored in the underside of a sofa)
- **IMPORTANT:** When setting up your product, **DO NOT INSTALL THE SCREWS ALL THE WAY IN THE BEGINNING.** Place each screw into their proper hole and use your hand to twist the screw halfway. Twist all the screws in halfway to ensure the holes will match up properly and the product is level on the ground. When everything seems fitted, then tighten the screws.
- When you have completed assembly, we suggest you have more than one person to assist you with lifting and placing the product.

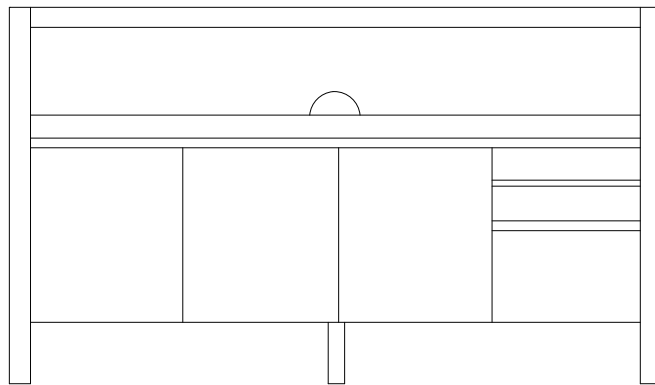
Care & Maintenance

- ⊘  ● Do not put hot items directly on furniture surface
- ⊘  ● Do not clean furniture with harsh cleansers or polish
- ⊘  ● Do not place furniture under direct sunlight
- ⊘  ● Do not place furniture near heating or cooling vents
- ⊘  ● Do not write on furniture without a padded barrier to protect the surface
- ⊘  ● Do not place furniture outside. For indoor use only
- ⊘  ● Not for commercial use. For residential use only
- ⊘  ● Stains may be removed with mild soap solution and damp cloth
- ⊘  ● Children should not climb or jump on the furniture
- ✓  ● Dust and pick-up spills using a clean, non-colored, lint-free cloth

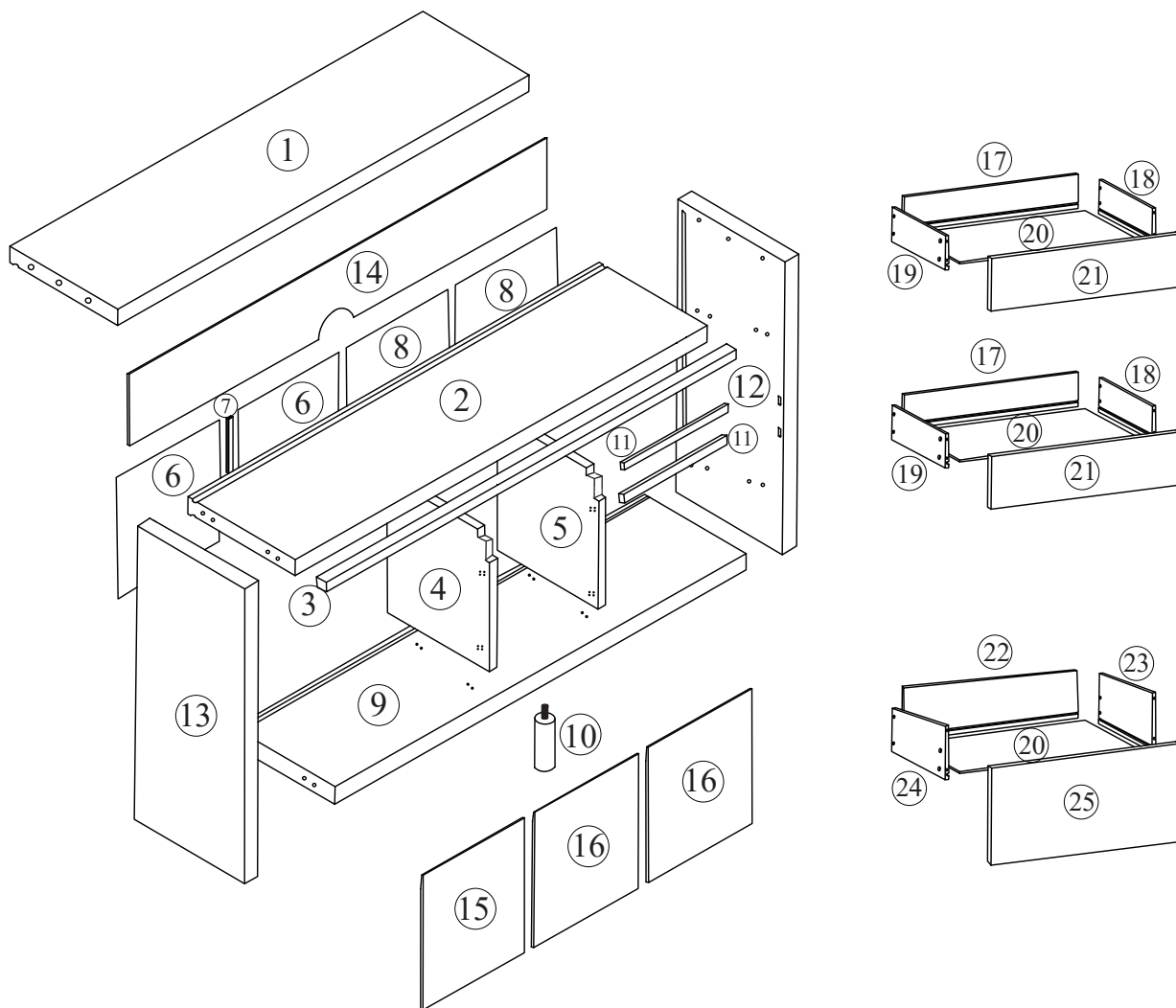
Caution

- This product contains small components. Please ensure that they are kept away from small children.
- Do not use power tools to assemble your furniture. Power tools may strip or damage the parts.


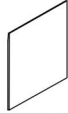





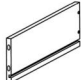
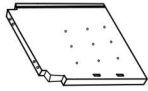

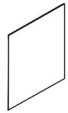



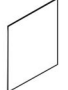


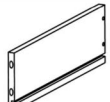

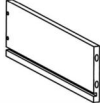


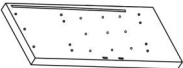
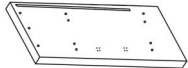





Part list















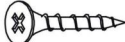






TWO CARTONS /HARDWARE LIST

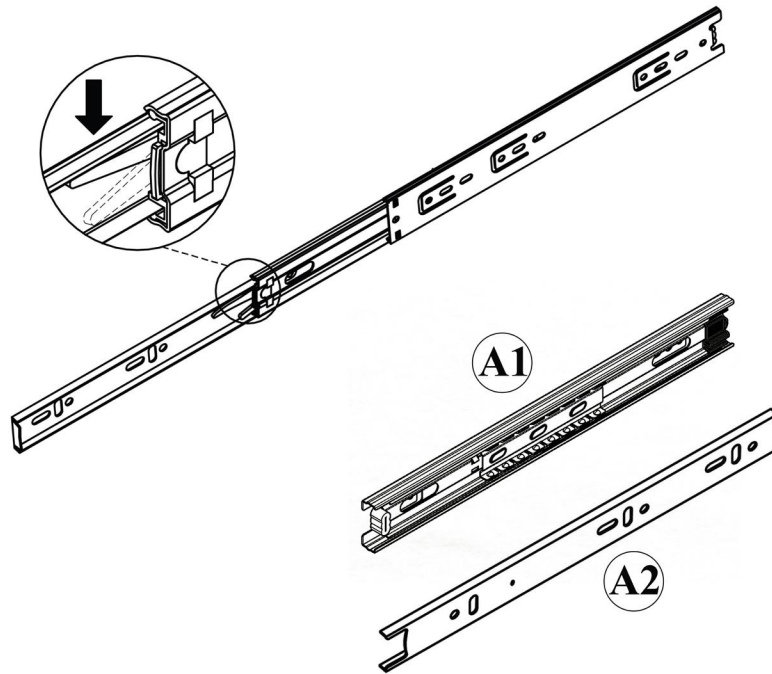
PART LISTS				PART LISTS			
NO	DESCRIPTION	SKETCH	Q'TY	NO	DESCRIPTION	SKETCH	Q'TY
①	TOP PANEL		1 PC	⑮	LEFT DOOR PANEL		1 PC
②	INTERMEDIATE LAMINATE		1 PC	⑯	LEFT DOOR PANEL		2 PCS
③	INTERMEDIATE LAMINATE STRIP		1 PC	⑰	DRAWER LAMINATE		2 PCS
④	VERTICAL DIAPHRAGM		1 PC	⑱	DRAWER LAMINATE		2 PCS
⑤	VERTICAL DIAPHRAGM		1 PC	⑲	DRAWER LAMINATE		2 PCS
⑥	BACK PANEL		2 PCS	⑳	DRAWER BOTTOM		3 PCS
⑦	BACK BOARD BUCKLE		1 PC	㉑	DRAWER PANEL		2 PCS
⑧	BACK PANEL		2 PCS	㉒	DRAWER LAMINATE		1 PC
⑨	BOTTOM BOARD		1 PC	㉓	DRAWER LAMINATE		1 PC
⑩	MIDDLE LEG		1 PC	㉔	DRAWER LAMINATE		1 PC
⑪	BATTEN		2 PCS	㉕	DRAWER PANEL		1 PC
⑫	RIGHT LEG		1 PC				
⑬	LEFT LEG		1 PC				
⑭	BACK PANEL		1 PC				

TWO CARTONS /HARDWARE LIST

HARDWARE LIST

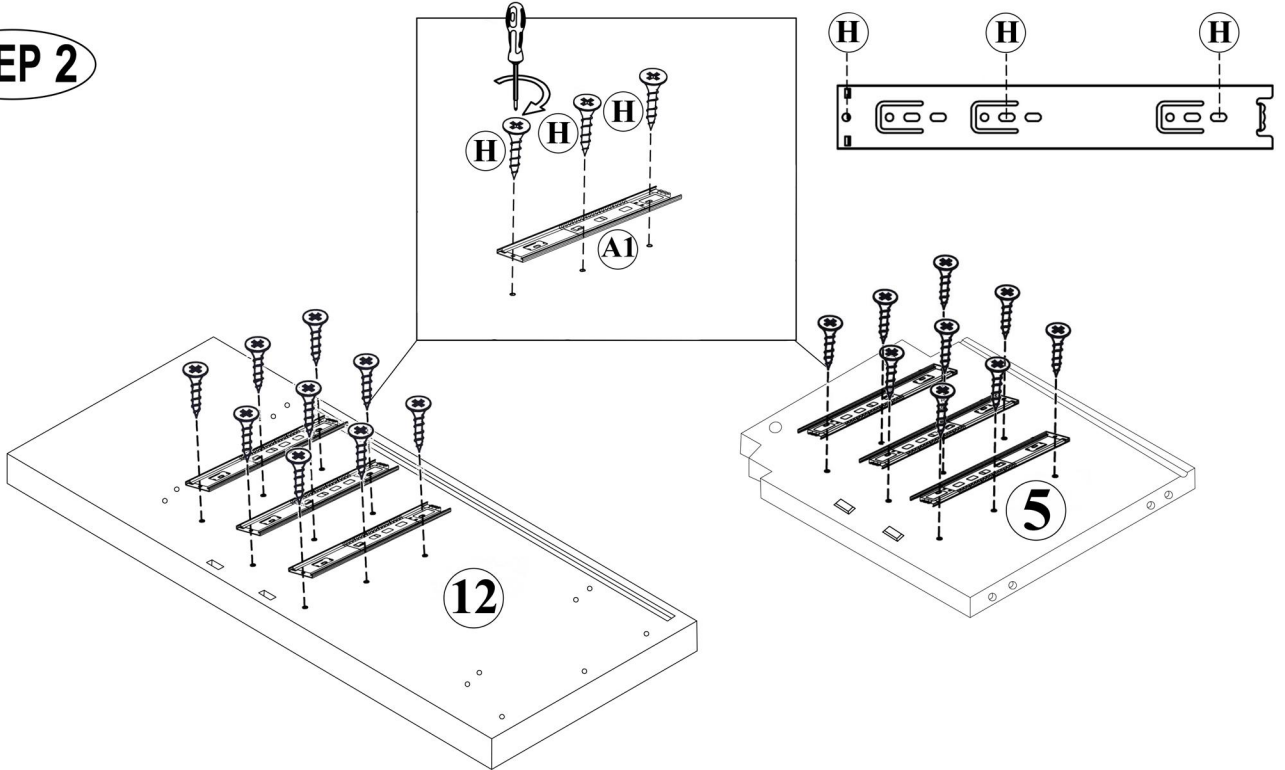
NO	DESCRIPTION	SKETCH	Q'TY	NO	DESCRIPTION	SKETCH	Q'TY
(A)	SLIDE RAIL		6 PCS	(N)	(N1) SCREW Ø5*14mm		2 PCS
(B)	SCREW Ø4*35mm		4 PCS		(N2) PLASTC STRAP		2 PCS
(C)	SCREW Ø6*35mm		22 PCS		(N3) NUT		2 PCS
(D)	FLAT GASKET		26 PCS		(N4) SCREW Ø4*35mm		2 PCS
(E)	STOPPER Ø8*25mm		12 PCS	(O)	PLASTIC BUTTON		12 PCS
(F)	CAM BOLT		12 PCS	(P)	SCREW Ø3*14mm		12 PCS
(G)	CAM LOCK		12 PCS				
(H)	SCREW Ø3*12mm		36 PCS				
(I)	SCREW Ø3*25mm		12 PCS				
(J)	SCREW Ø4*14mm		36 PCS				
(K)	DOOR HINGE		2 PCS				
(L)	DOOR HINGE		4 PCS				
(M)	HEX WRENCH		1 PC				

STEP 1 x6



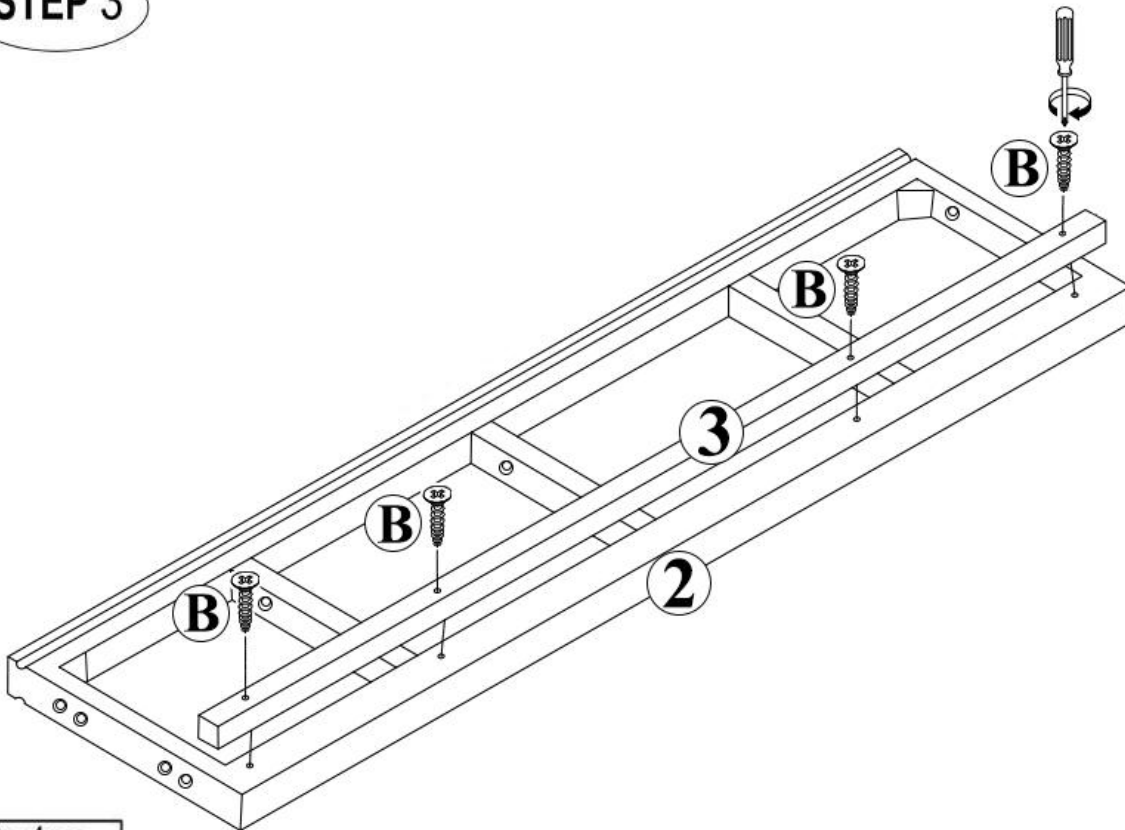
A Qty : 6pcs

STEP 2



A1 Qty : 6pcs	H Qty : 18pcs
	 Ø3*12mm

STEP 3

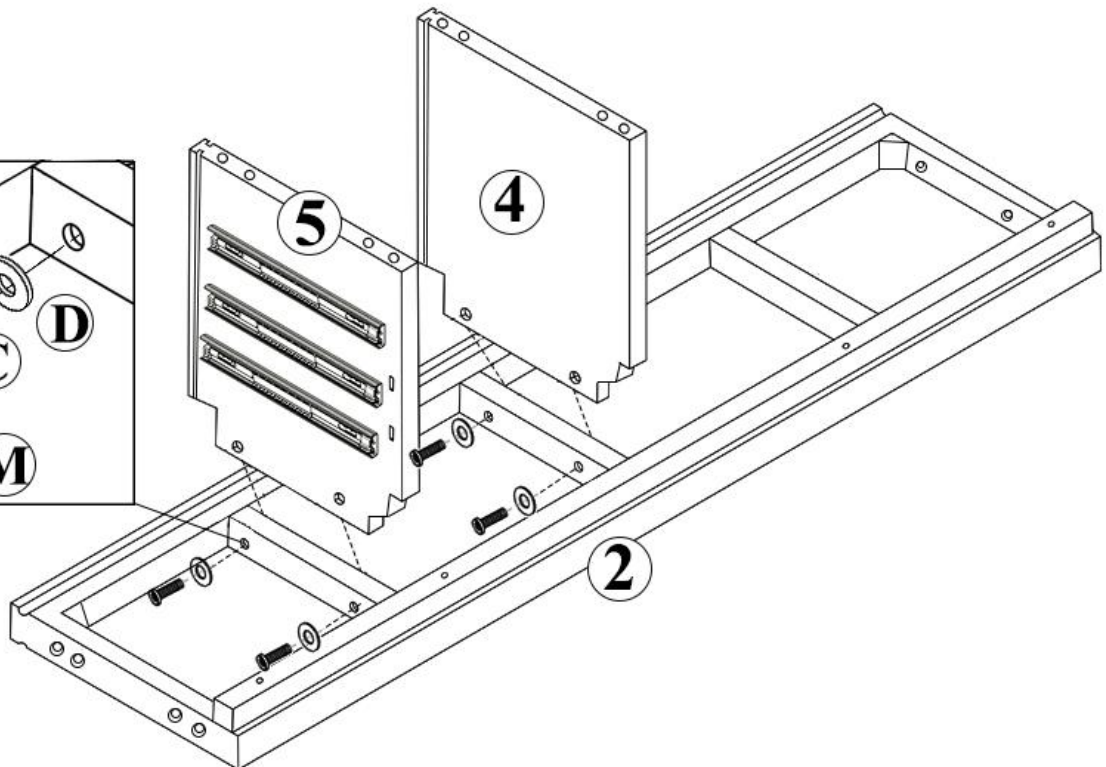
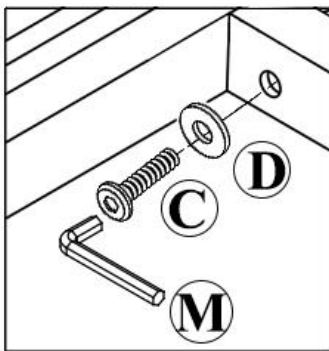


B Q'ty :4 pcs



Ø4*35mm

STEP 4



C Q'ty :4 pcs

D Q'ty :4 pcs

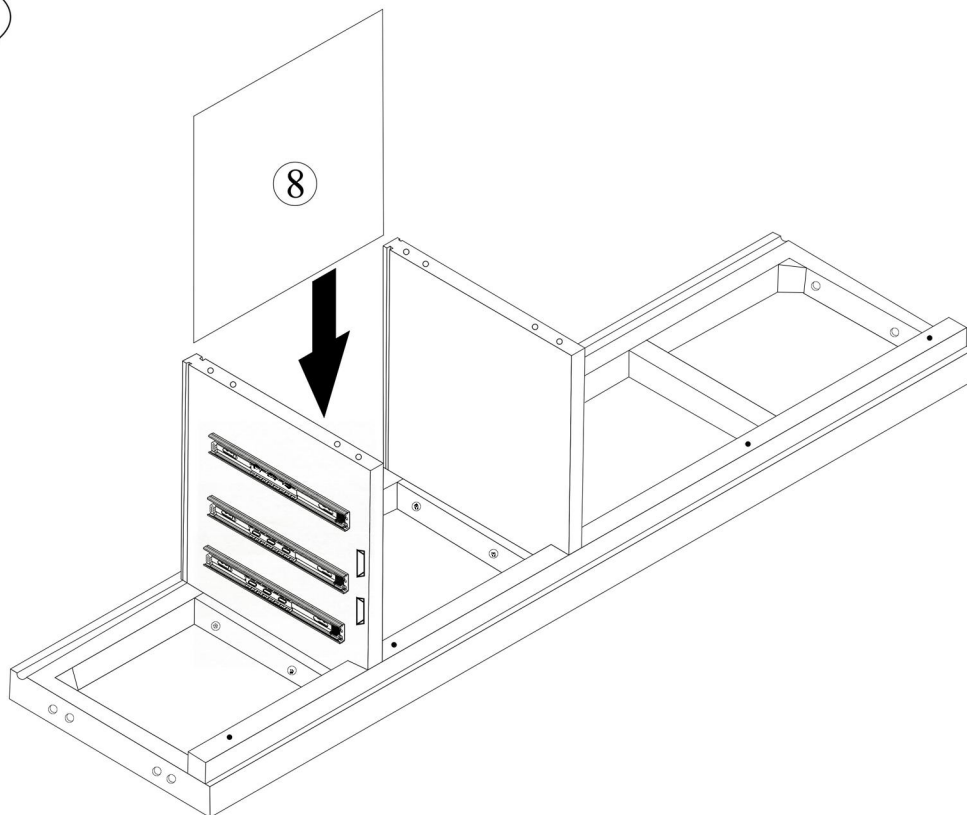
M Q'ty : 1 pc



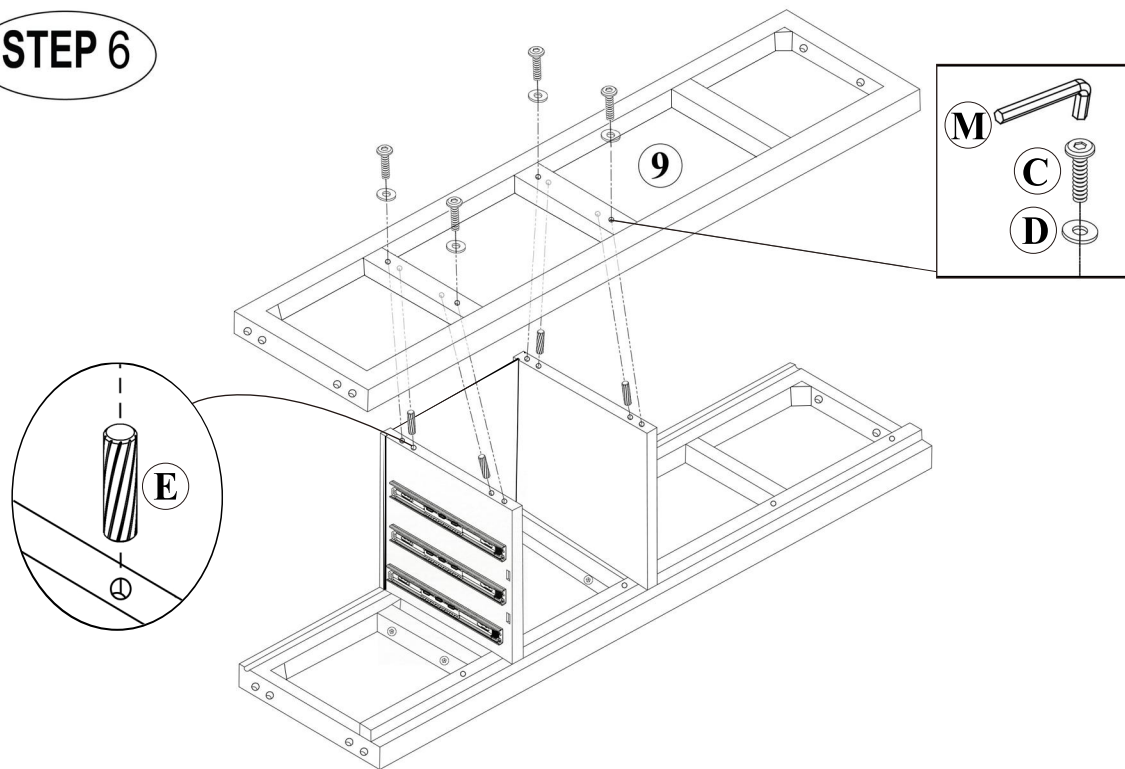
Ø6*35mm







STEP 5

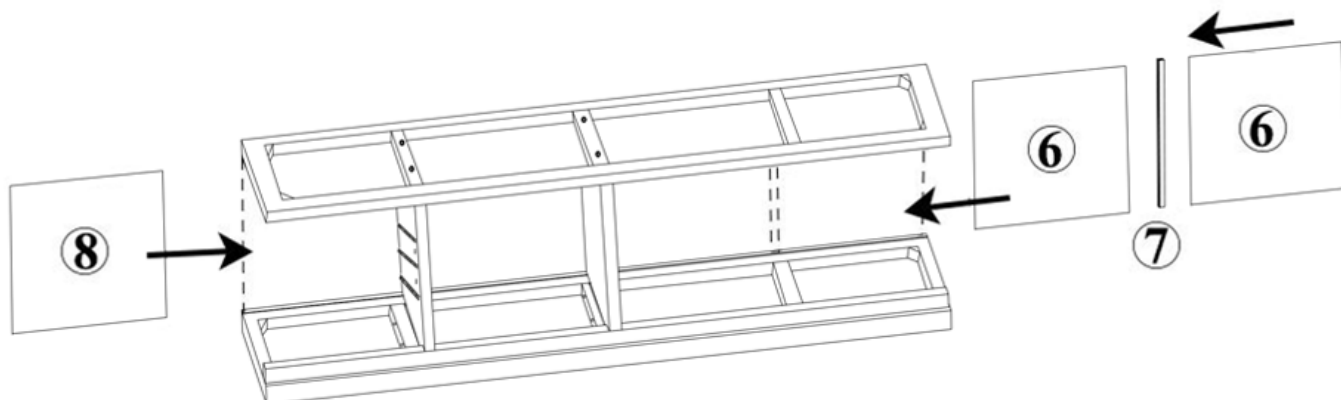


STEP 6

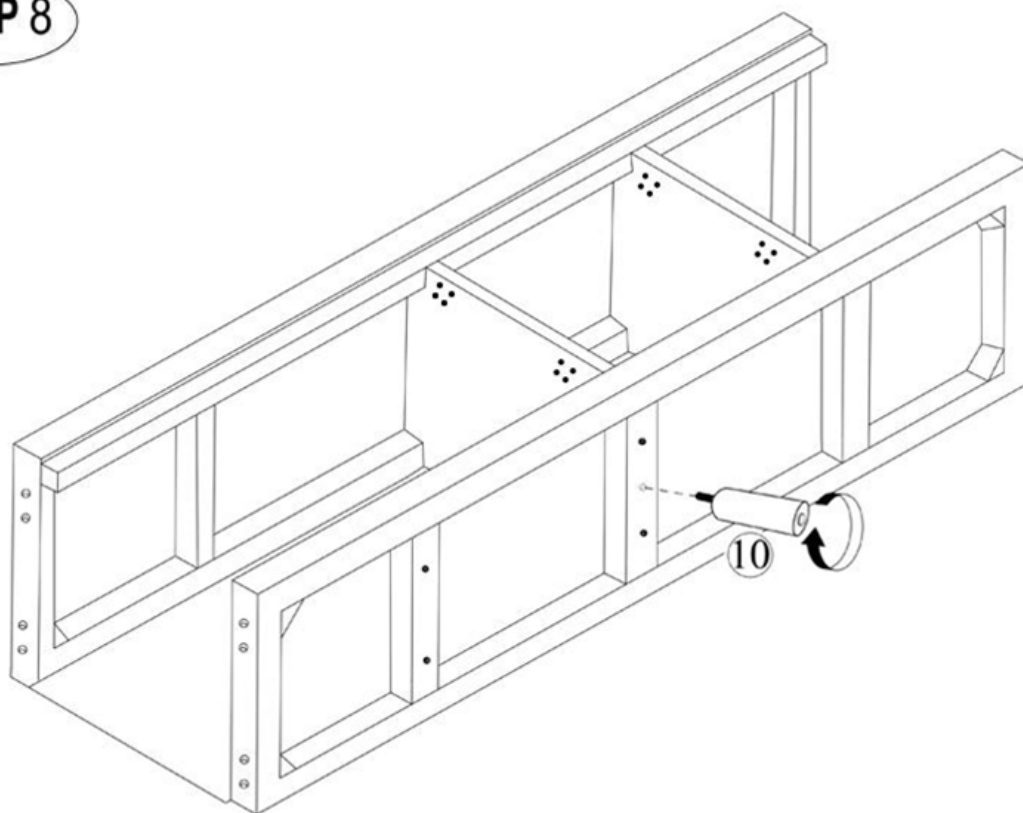


C	Q'ty :4 pcs	D	Q'ty :4 pcs	E	Q'ty :4 pcs	M	Q'ty :1 pc
							
Ø6*35mm				Ø8*25mm			

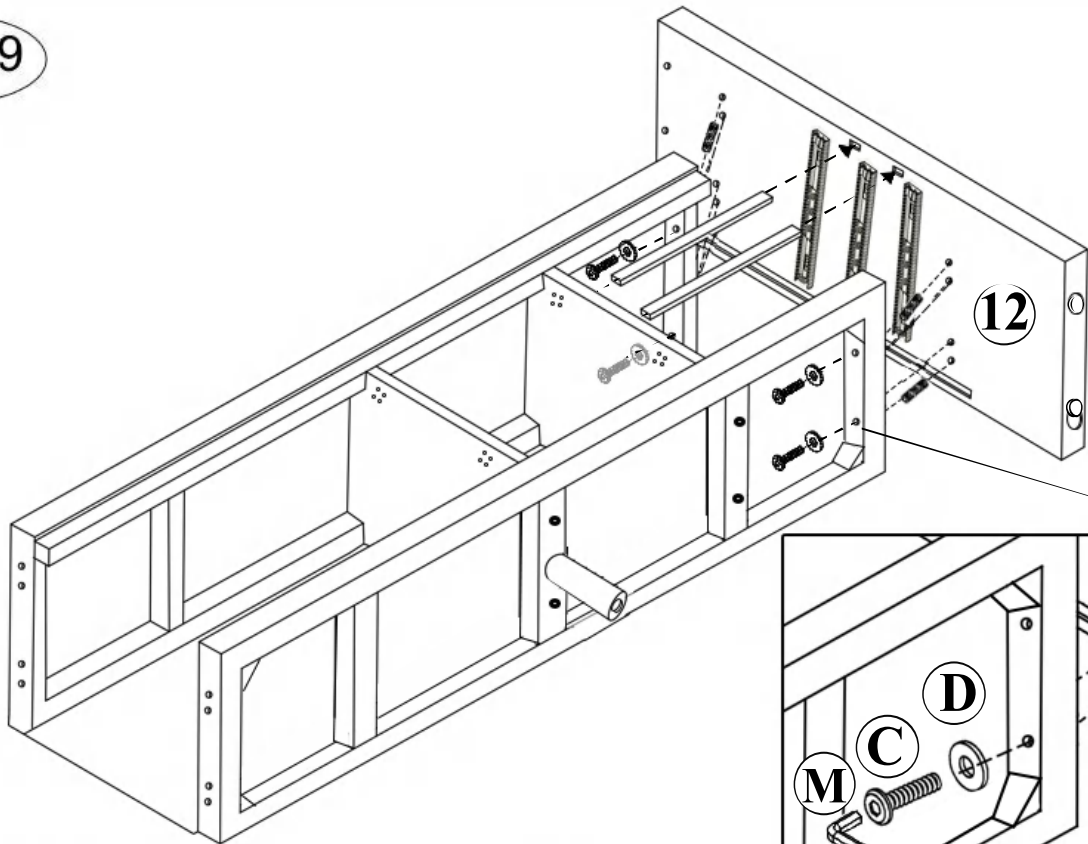
STEP 7



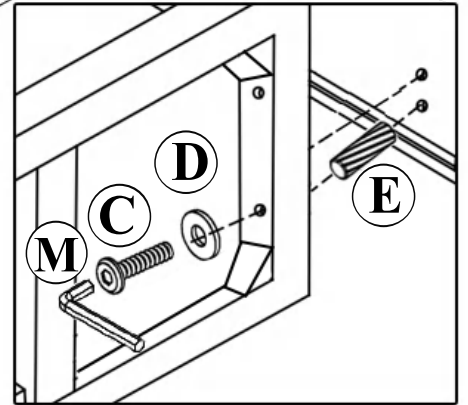
STEP 8



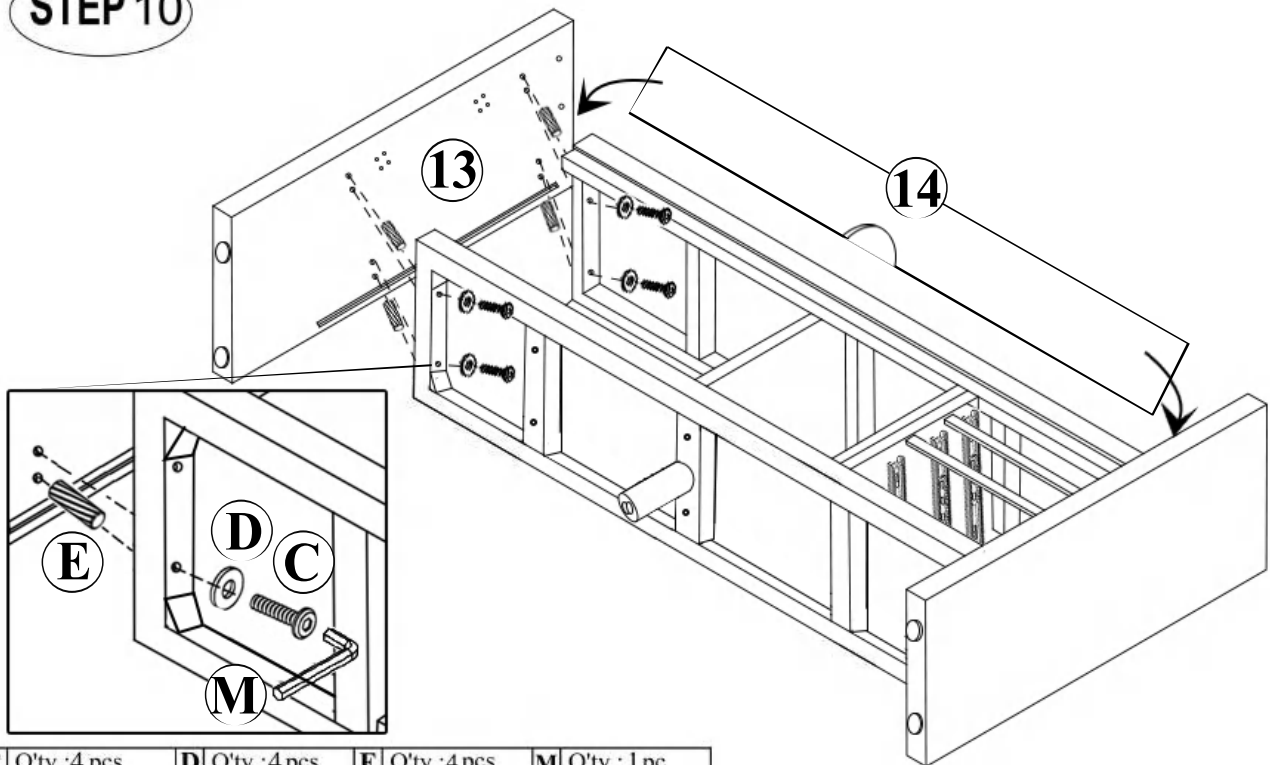
STEP 9



C	Q'ty : 4 pcs	D	Q'ty : 4 pcs	E	Q'ty : 4 pcs	M	Q'ty : 1 pc
Ø6*35mm				Ø8*25mm			

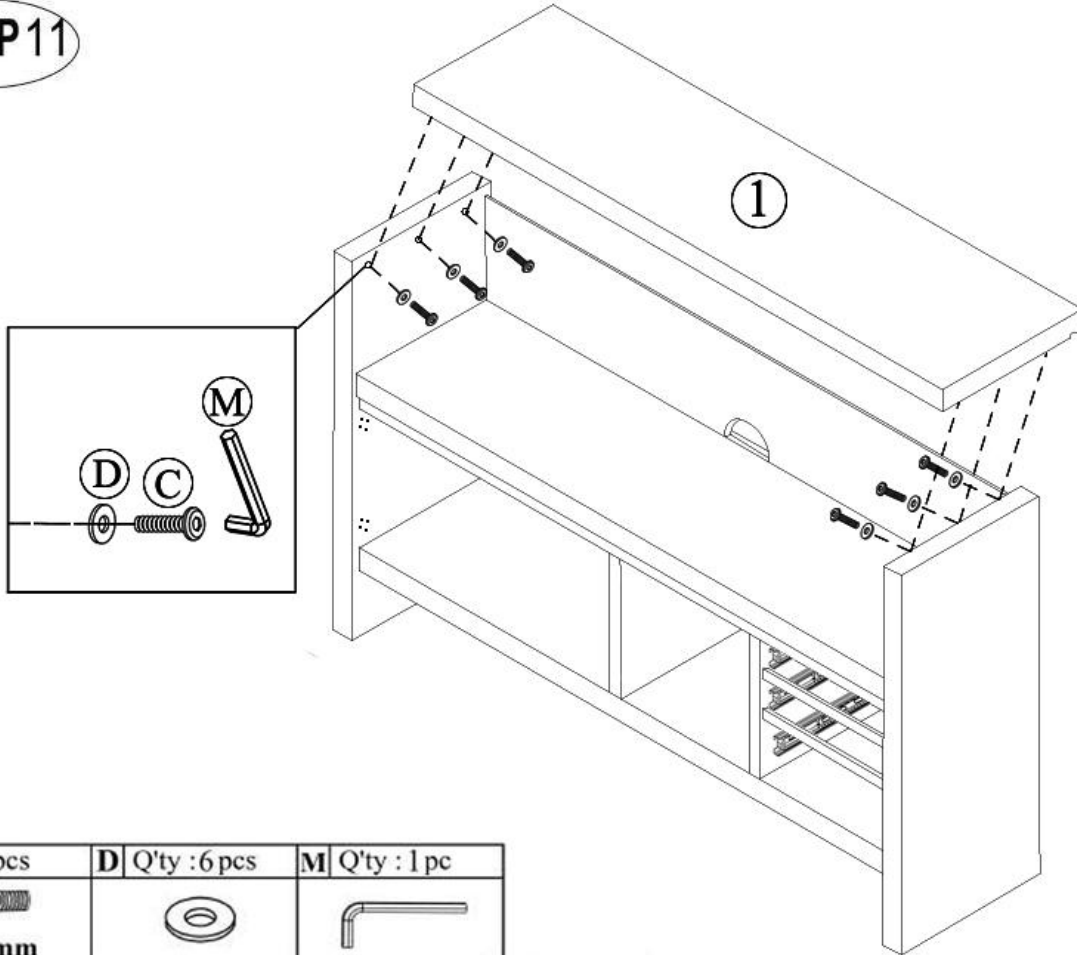


STEP 10



C	Q'ty : 4 pcs	D	Q'ty : 4 pcs	E	Q'ty : 4 pcs	M	Q'ty : 1 pc
Ø6*35mm				Ø8*25mm			

STEP 11

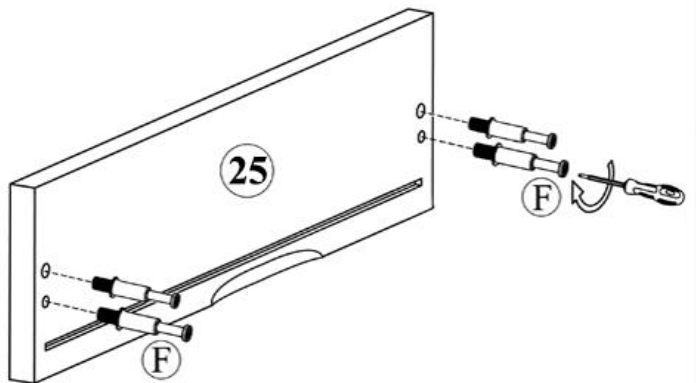
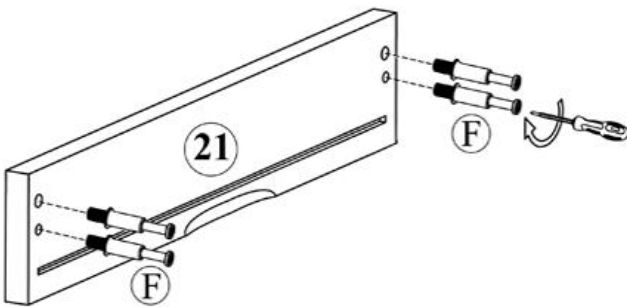


C	Q'ty :6 pcs	D	Q'ty :6 pcs	M	Q'ty : 1 pc
Ø6*35mm					

STEP 12

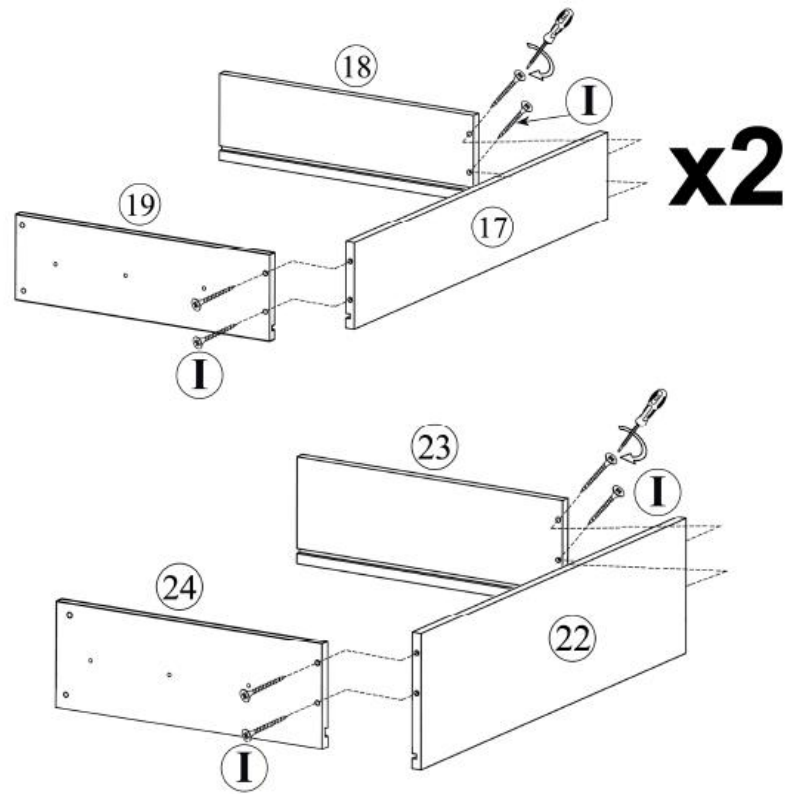


x2



F	Q'ty :12pcs

STEP 13

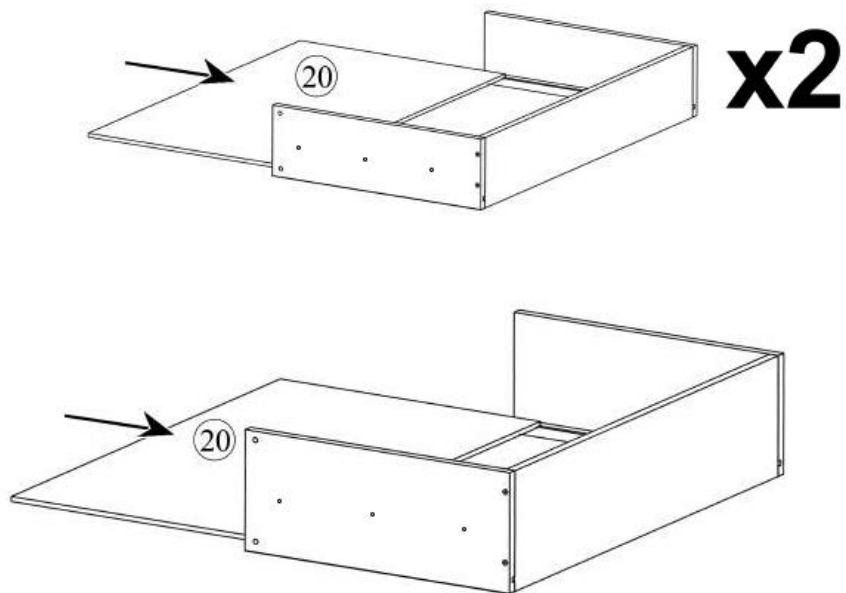


I Q'ty :12 pcs

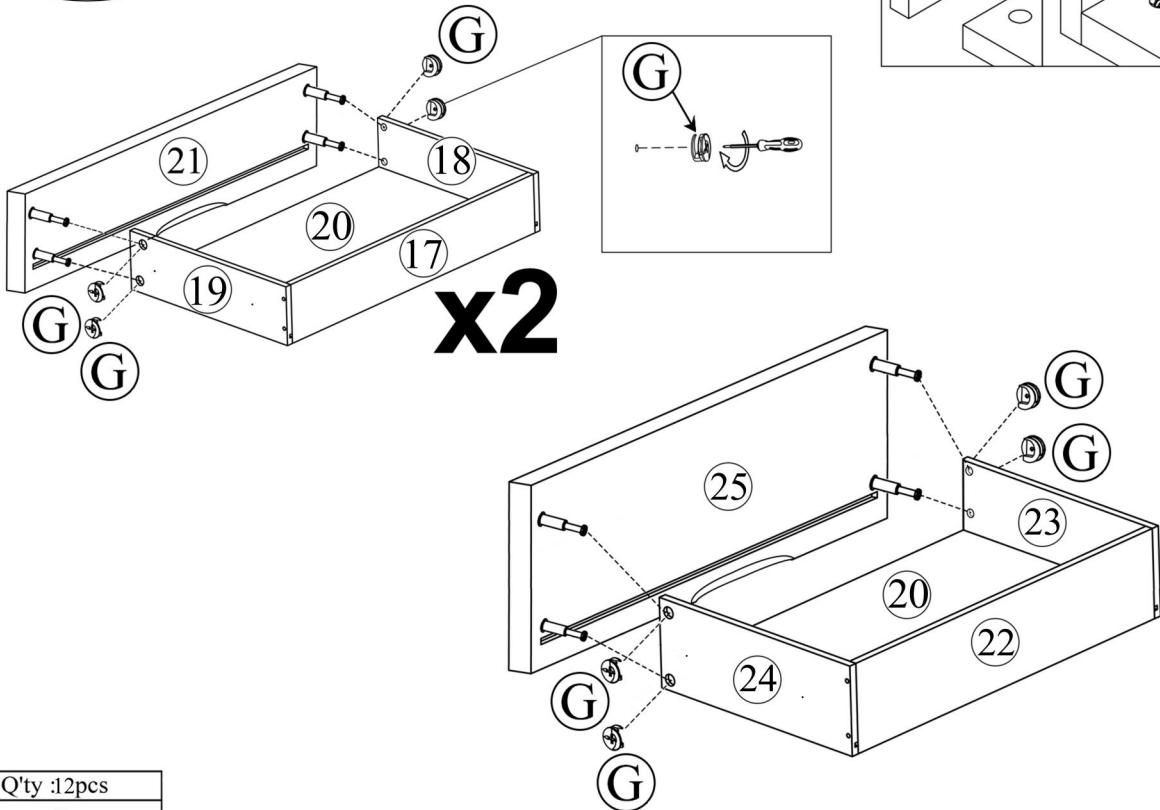


Ø3*25 mm

STEP 14

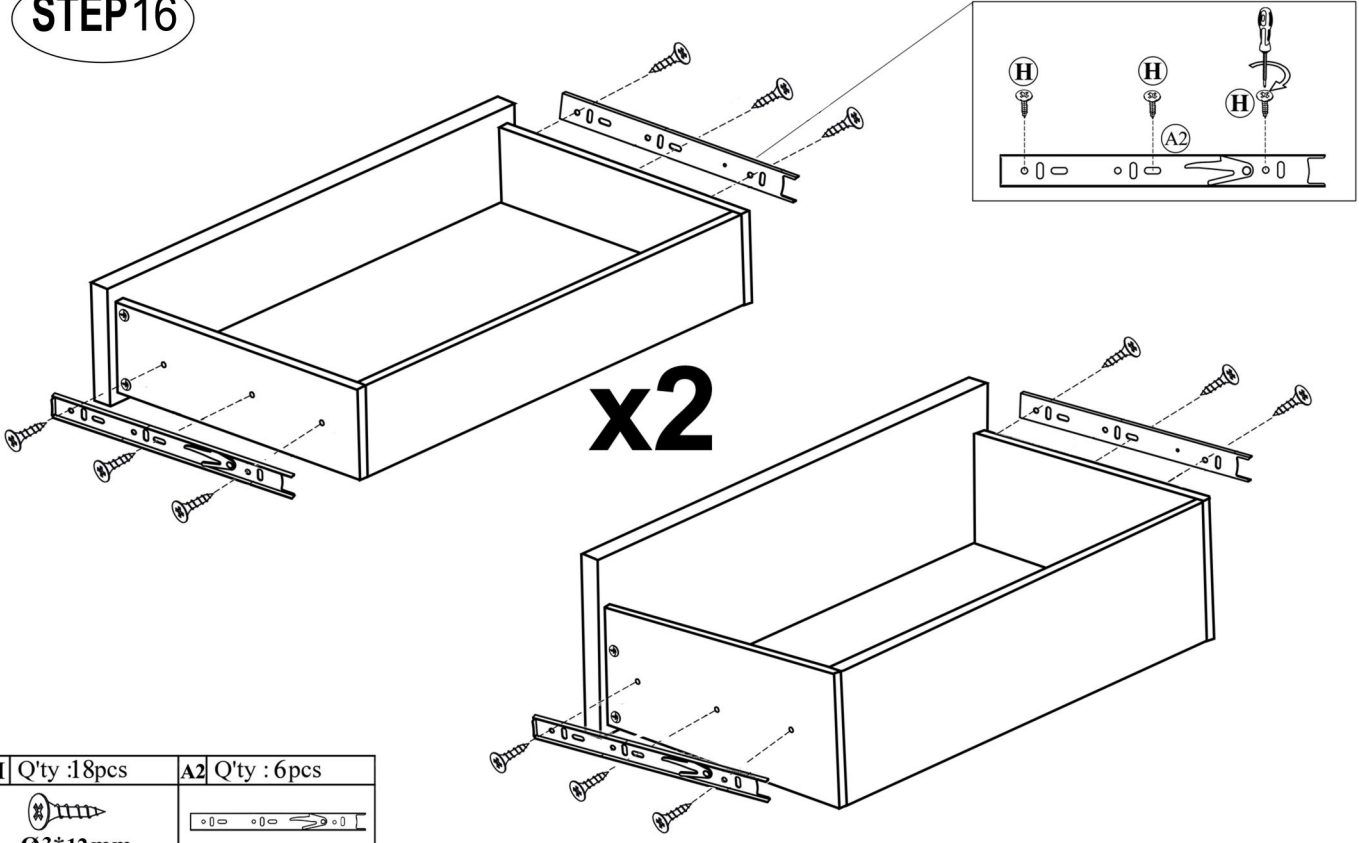


STEP 15



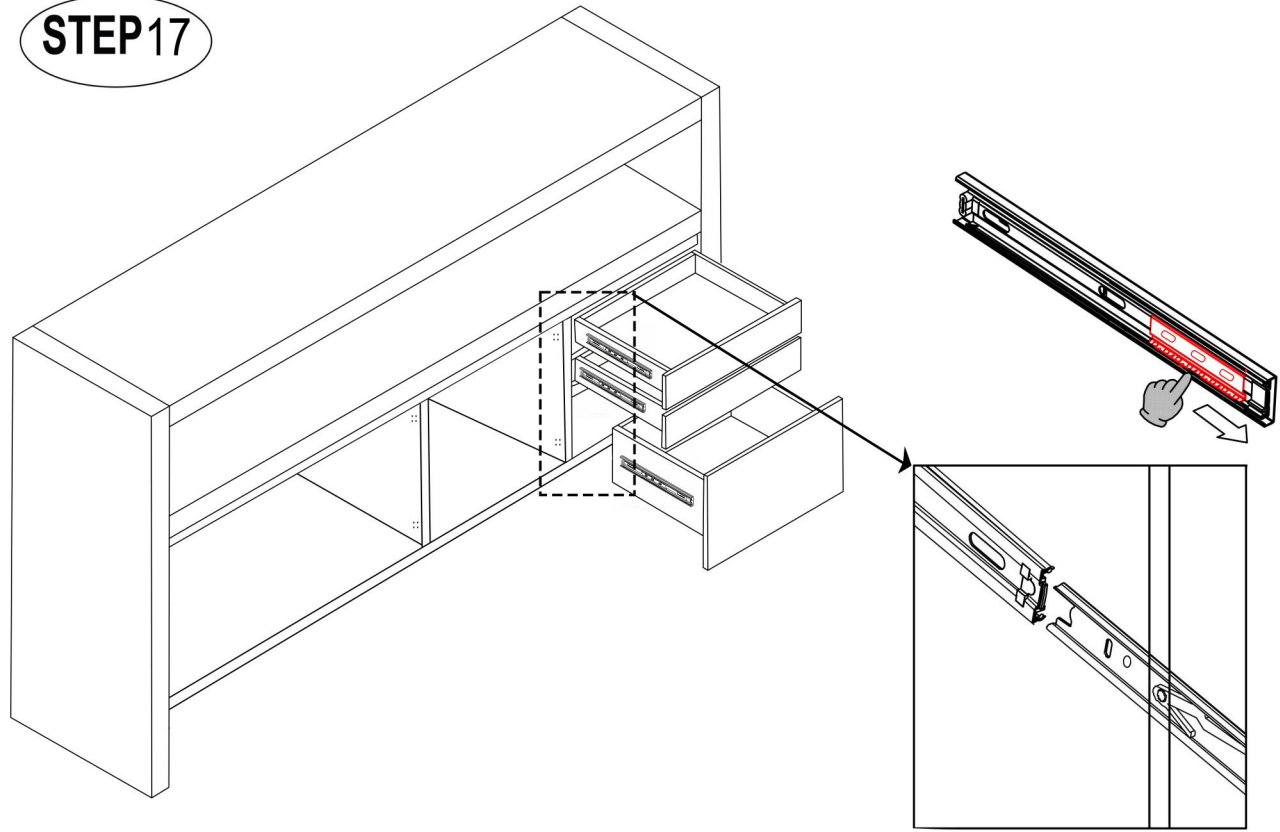
G Q'ty :12pcs

STEP 16

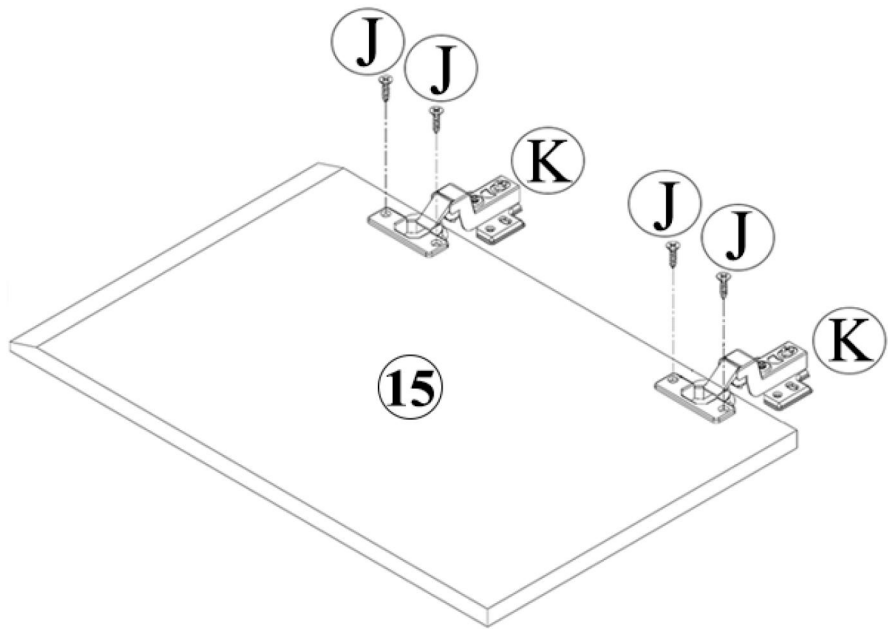



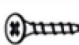
H Q'ty :18pcs	A2 Q'ty : 6pcs
Ø3*12mm	

STEP 17

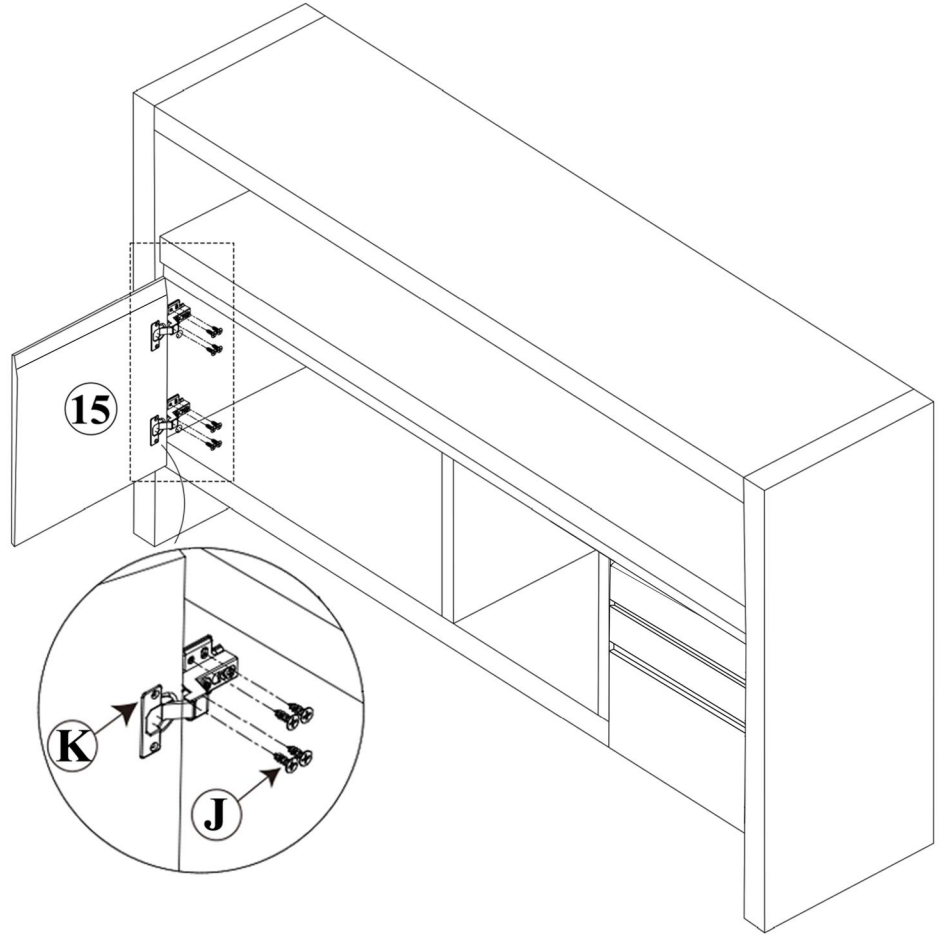
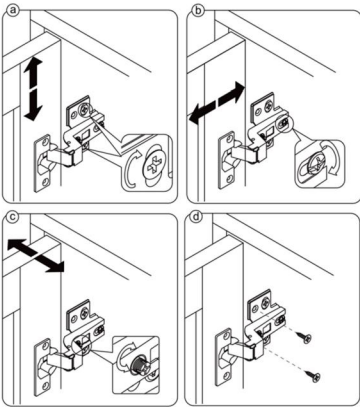


STEP 18



K Q'ty : 2 pcs	J Q'ty : 4 pcs
	 Ø4*14mm

STEP 19

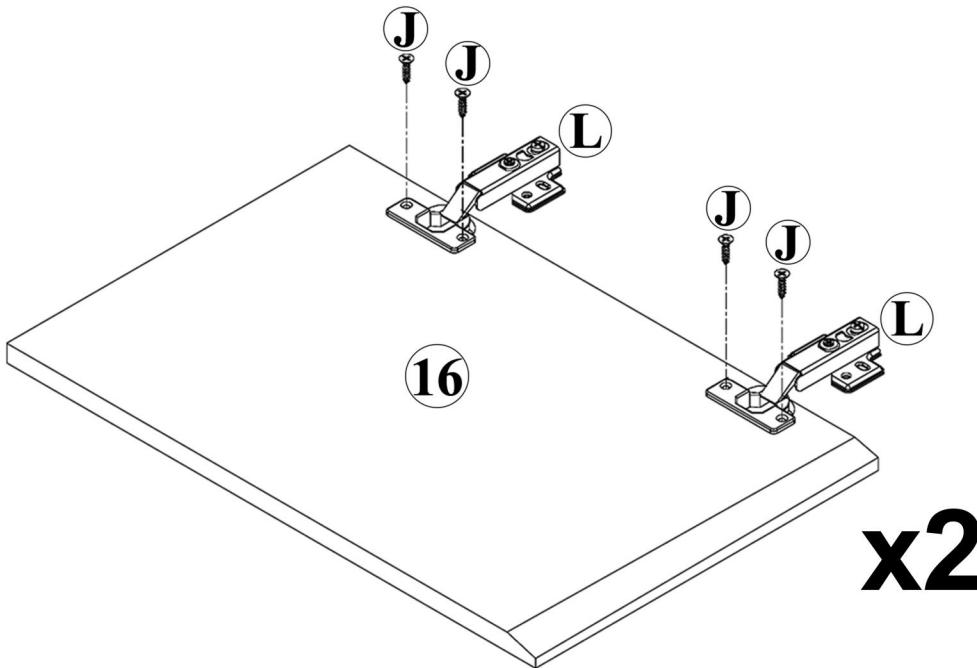


J Q'ty : 8 pcs



Ø4*14mm

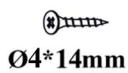
STEP 20



L Q'ty : 4 pcs

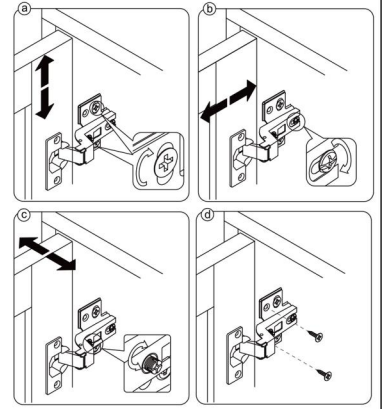
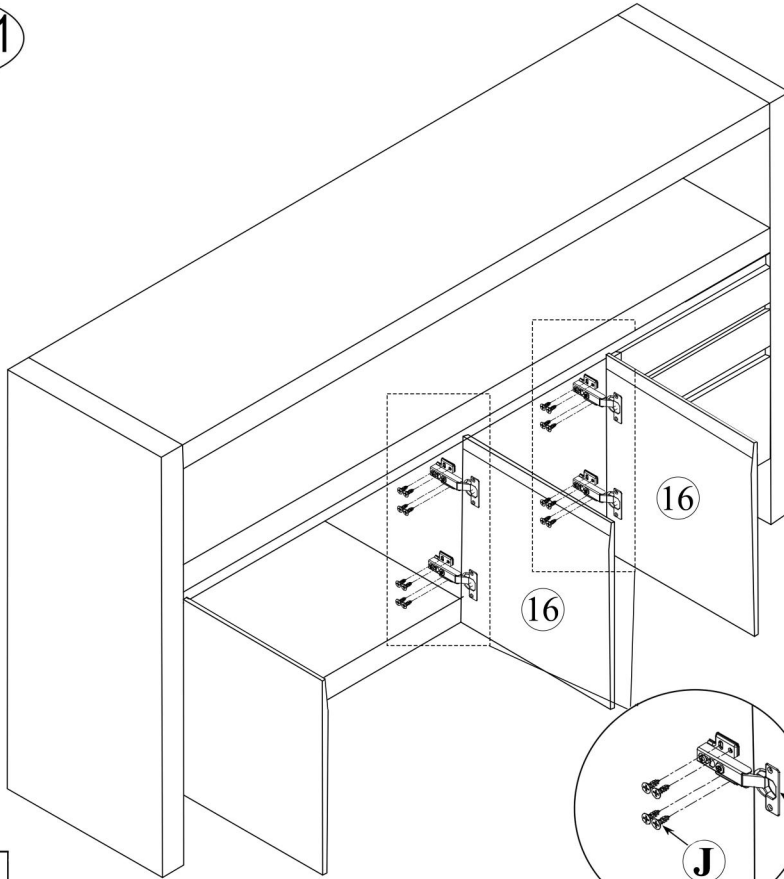


J Q'ty : 8 pcs



Ø4*14mm

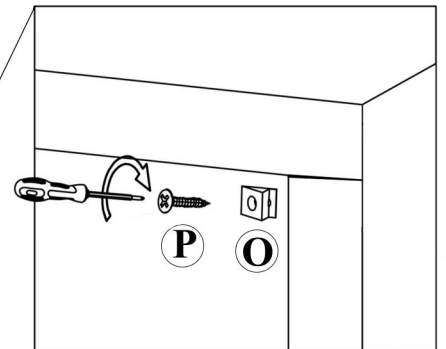
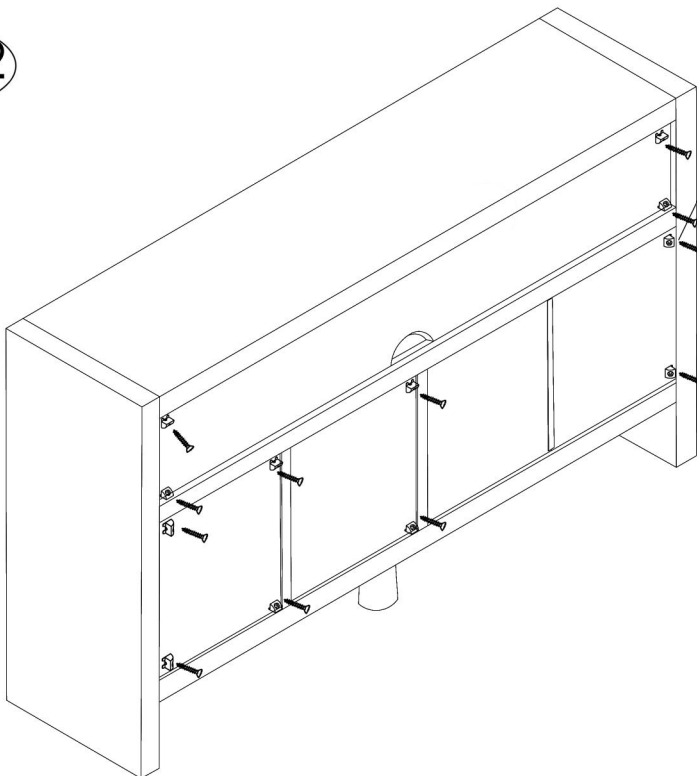
STEP 21



J Q'ty :16pcs



STEP 22

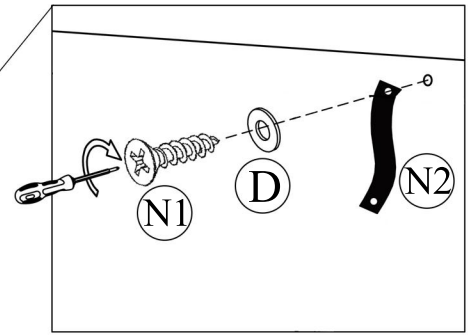
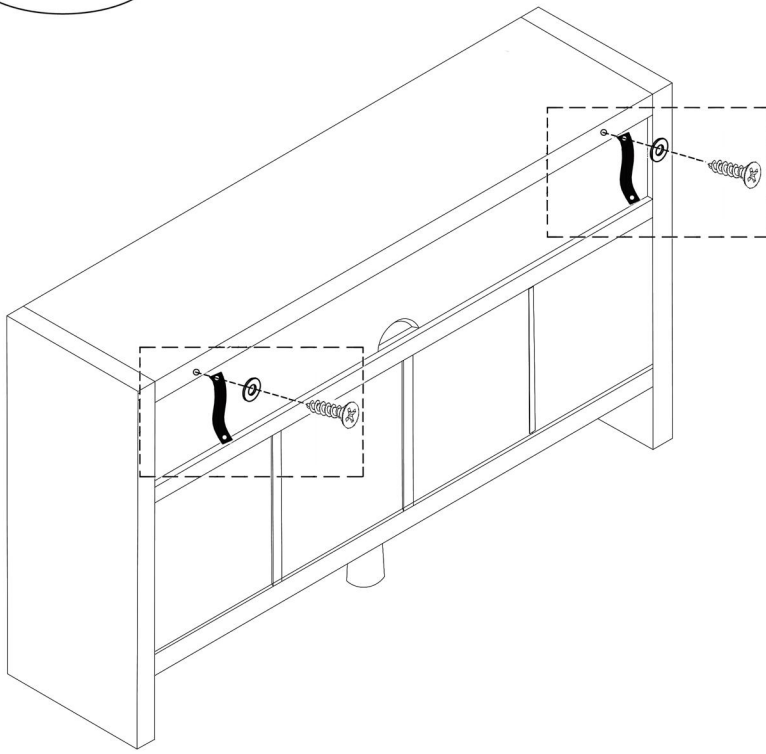





O Q'ty :12pcs

P Q'ty :12pcs



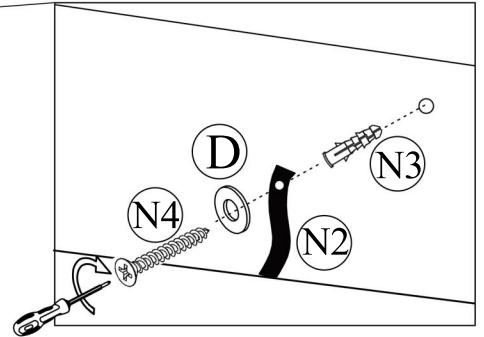
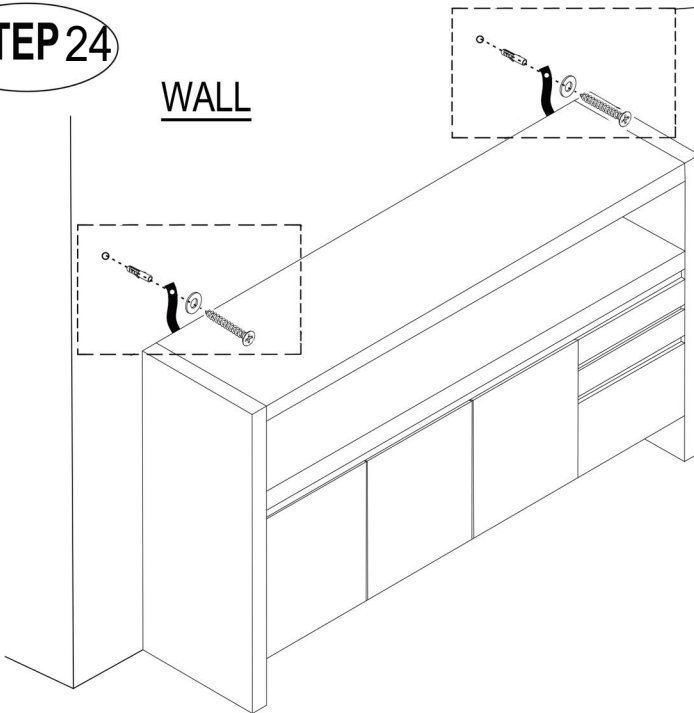
STEP 23






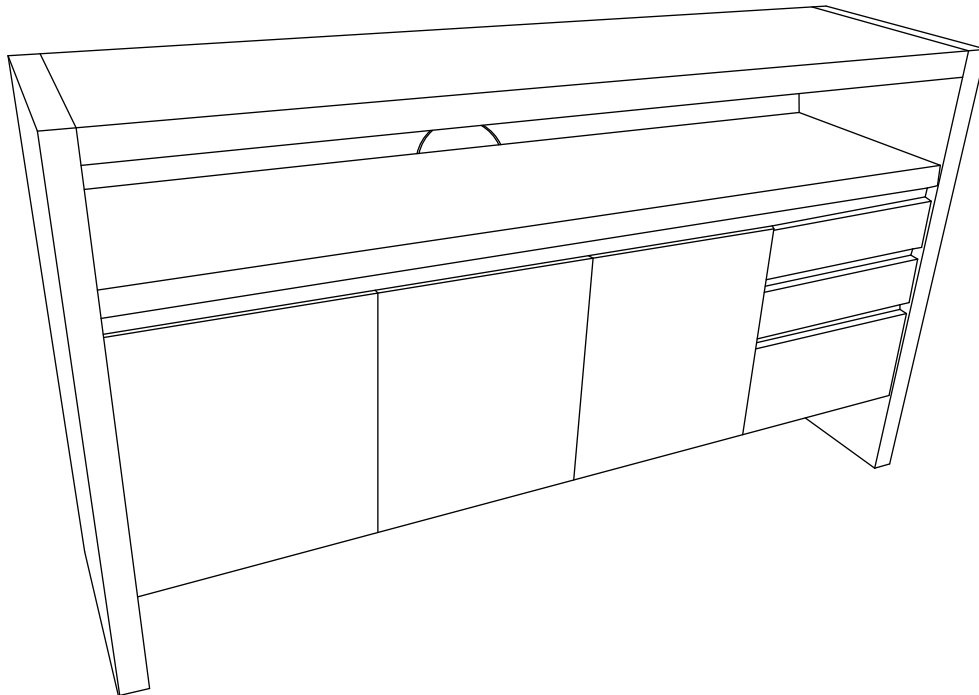
N1 Q'ty : 2pcs	N2 Q'ty : 2pcs	D Q'ty : 2pcs
 Ø5*14mm		

STEP 24

WALL



N3 Q'ty : 2pcs	N4 Q'ty : 2pcs	D Q'ty : 2pcs
 Ø4*35mm		 Ø16*1mm

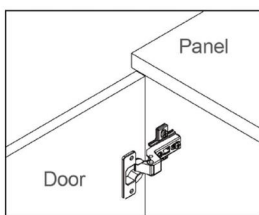


Assembly Steps(EN) / Montageschritte(DE)

HOW TO ADJUST THE HINGES TO ALIGN THE DOORS IF NEEDED.

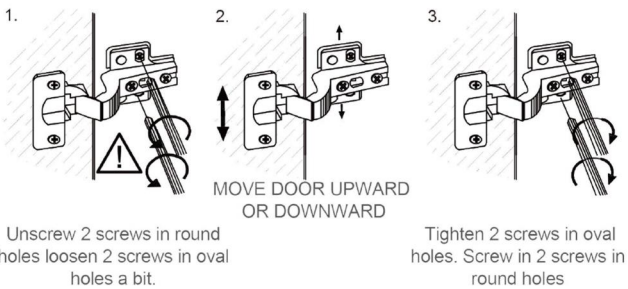
STEP 1

Open the door.



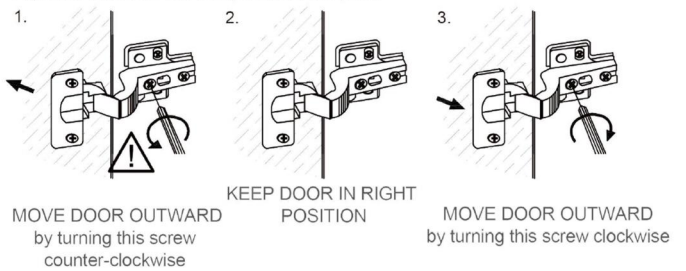
STEP 2

Adjust the door panels upward or downward



STEP 3

Adjust the flush between door panel and side panel



STEP 4

Adjust the Gap between door panel and side panel

