

# SAFETY WARNINGS

## - BUNK BED -

*"IMPORTANT - READ CAREFULLY - RETAIN FOR FUTURE REFERENCE"*

- (1) Ensure the mattress is at least 160mm (6.25") below upper edge of the guardrails.
- (2) Do not remove maximum mattress warning label from upper bed.
- (3) Always use the recommended size mattress to help prevent the likelihood of entrapment or falls.
- (4) Do not allow children under 6 years of age to use the upper bunk.
- (5) Periodically check and ensure that the guardrail, ladder, and other components are in their proper position, free from damage, and all connectors are tight.
- (6) Do not allow horseplay on or under the bed and prohibit jumping on the bed.
- (7) Always use ladder for entering or leaving upper bunk.
- (8) Do not use substitute parts. Contact the retailer for replacement parts.
- (9) Using a night light may provide added safety precaution for a child using the upper bunk.
- (10) Always use guardrails on both long sides of the upper bunk. If the bunk bed will be placed next to a wall, the guardrail that runs the full length of the bed must be placed against the wall to prevent entrapment between the bed and the wall.
- (11) The use of water or sleep flotation mattress is prohibited.
- (12) Prohibit more than one person on the upper bunk.
- (13) **STRANGULATION HAZARD:** Never attach or hang items to any part of the bunk bed that are not designed for use with the bed: for example, but not limited to, hooks, belts, and jump ropes.
- (14) Keep these instructions for future reference.
- (15) Children can be trapped between the bed and the wall, a roof pitch, the ceiling, adjoining pieces of furniture (e.g. cupboards) and others alike. To avoid risk of serious injury the distance between the top safety barrier and the adjoining structure shall not exceed 75mm or shall be more than 230mm.
- (16) Do not use the bunk bed / high bed if any structural part is broken or missing.
- (17) The recommended size of the mattress(es); **single 990mm x 1905mm (39" x 75")**.
- (18) Ventilation of the room is necessary in order to keep the humidity low and to prevent mould in and around the bed.
- (19) The maximum thickness of the mattress surface is under the mark on the upper bed.

### **ASSEMBLY TIPS:**

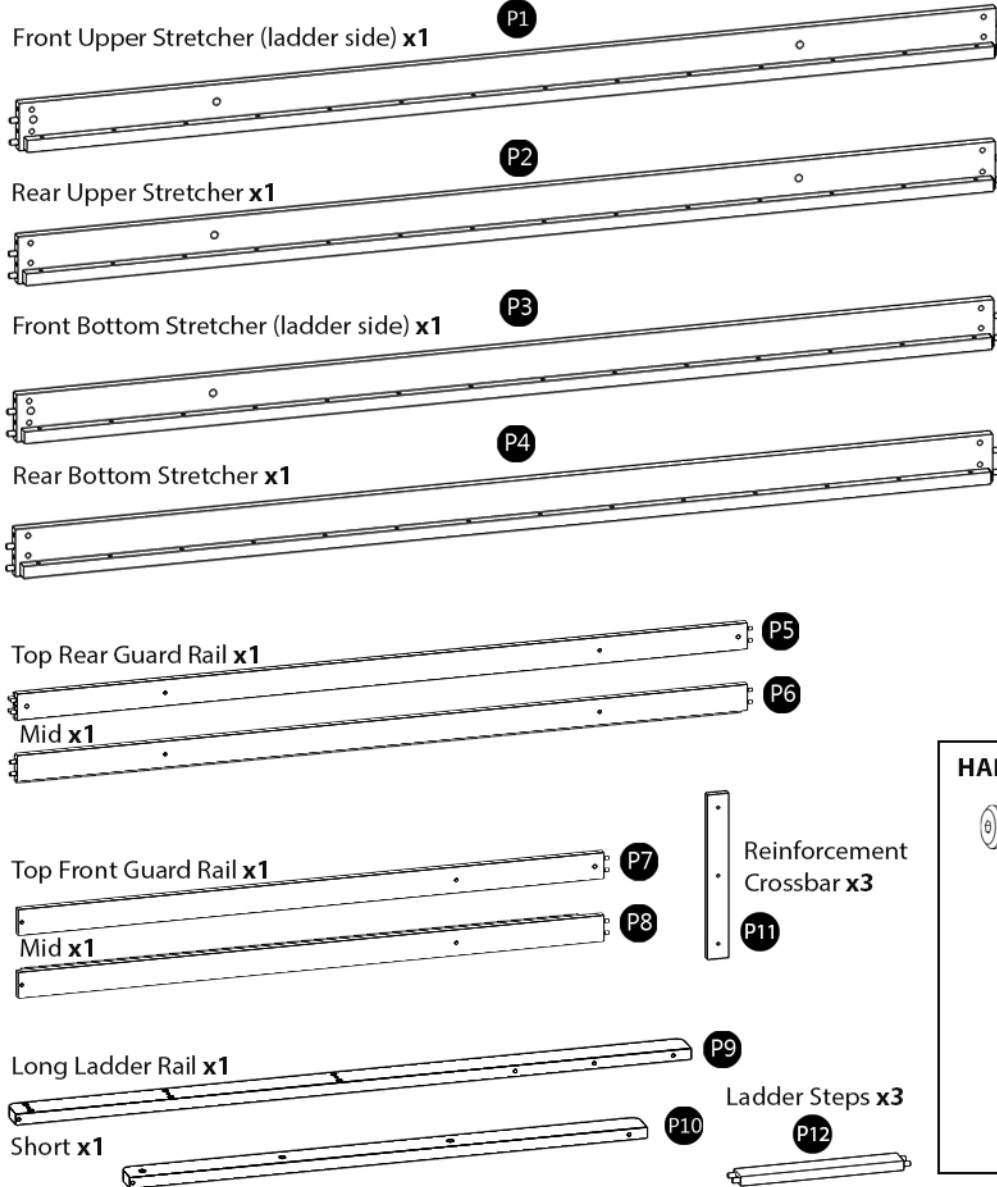
- (1) Remove hardware from box and sort by size.
- (2) Please check to see that all hardware and parts are present prior to start assembly.
- (3) Please follow attached instructions in the same sequence as numbered to assure fast and easy assembly.

### **WARNING!**

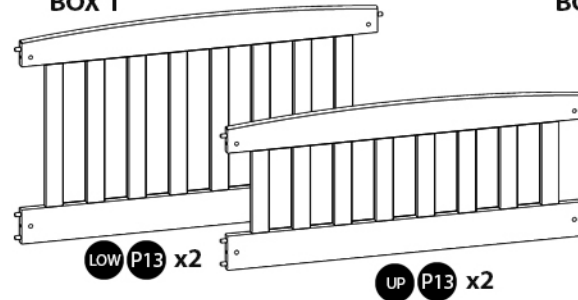
- (1) Do not attempt to repair or modify parts that are broken or defective. Please contact the store immediately.
- (2) This product is for home use only and not intended for commercial establishments.

# ASSEMBLY INSTRUCTION

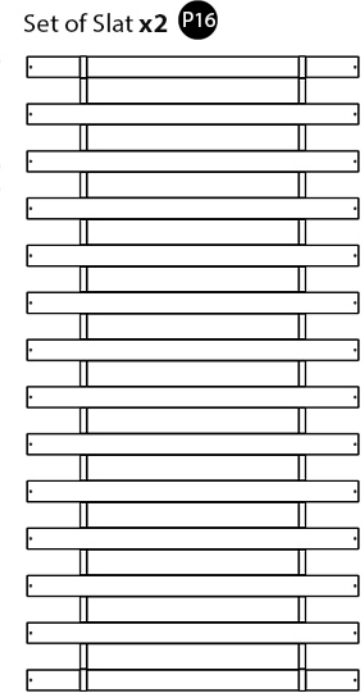
## BOX 3



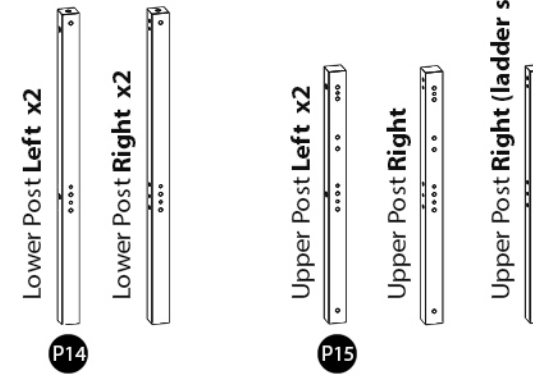
## BOX 1



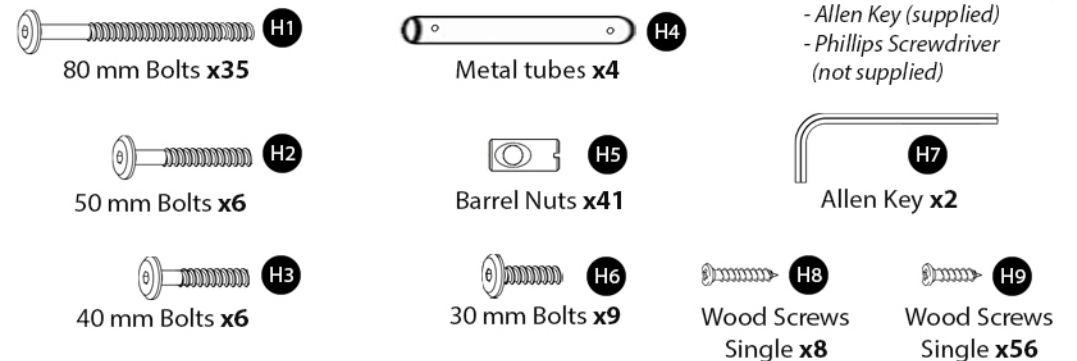
## BOX 4



## BOX 2



## HARDWARE

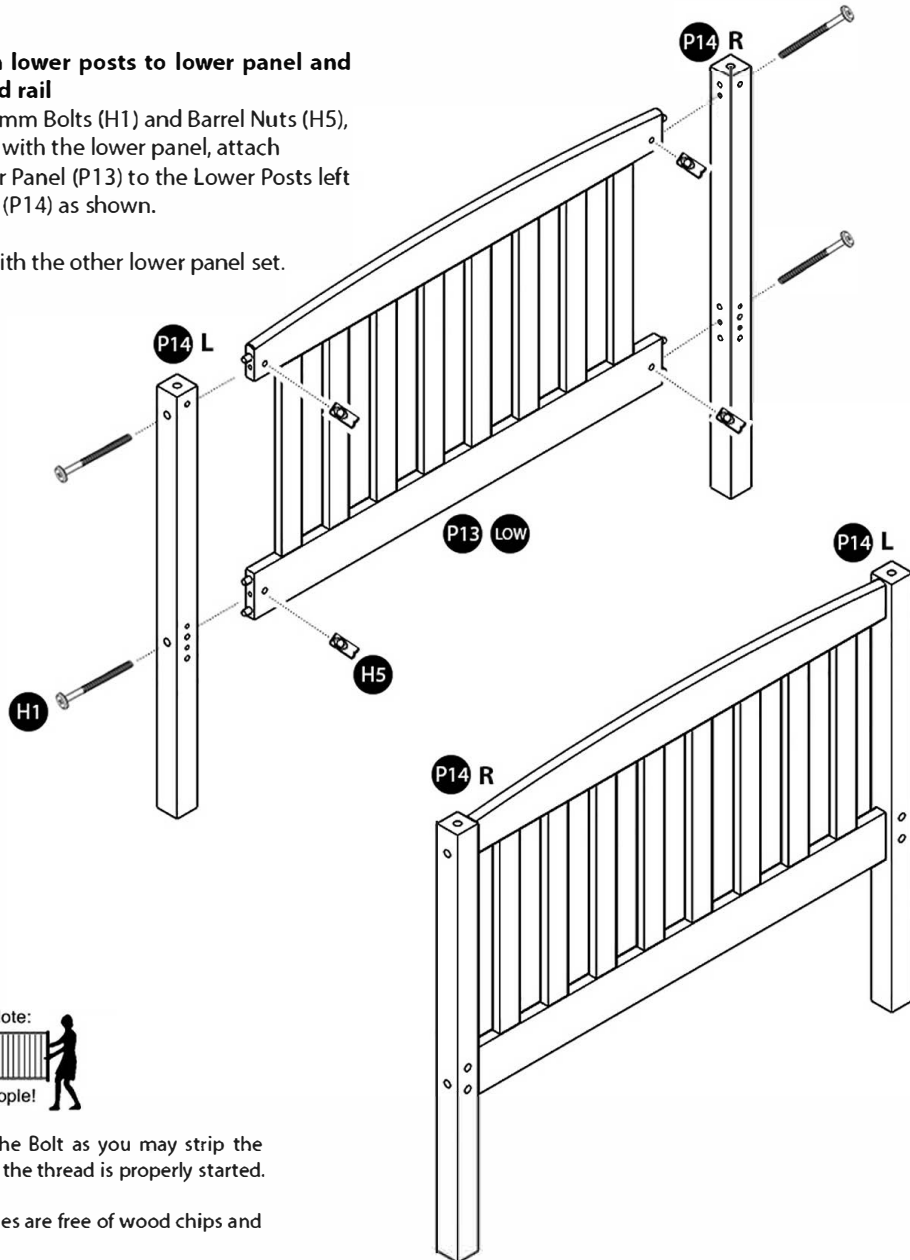


# ASSEMBLY INSTRUCTION BUNK BED

## 1. Attach lower posts to lower panel and lower mid rail

Using 80 mm Bolts (H1) and Barrel Nuts (H5), provided with the lower panel, attach the Lower Panel (P13) to the Lower Posts left and right (P14) as shown.

Repeat with the other lower panel set.

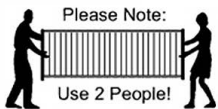
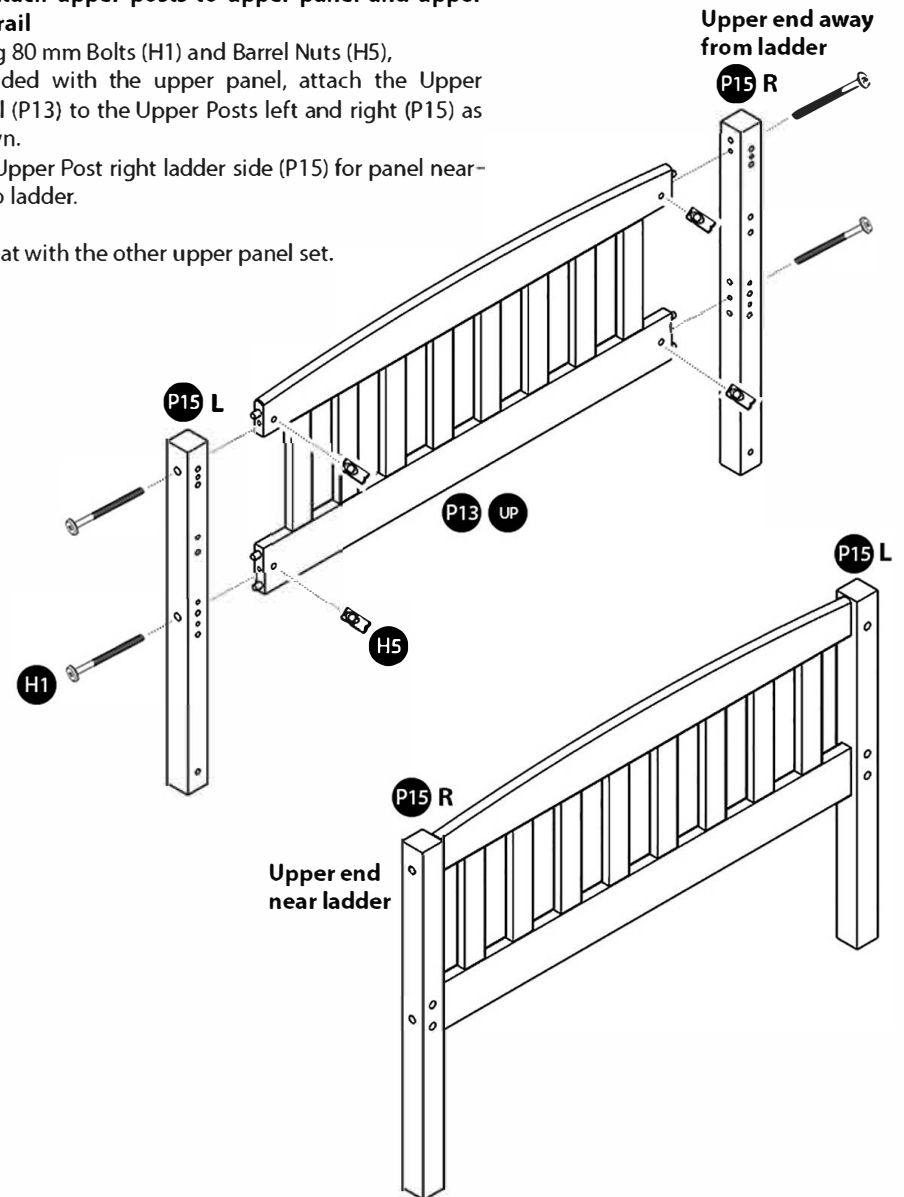


## 2. Attach upper posts to upper panel and upper mid rail

Using 80 mm Bolts (H1) and Barrel Nuts (H5), provided with the upper panel, attach the Upper Panel (P13) to the Upper Posts left and right (P15) as shown.

Use Upper Post right ladder side (P15) for panel nearest to ladder.

Repeat with the other upper panel set.

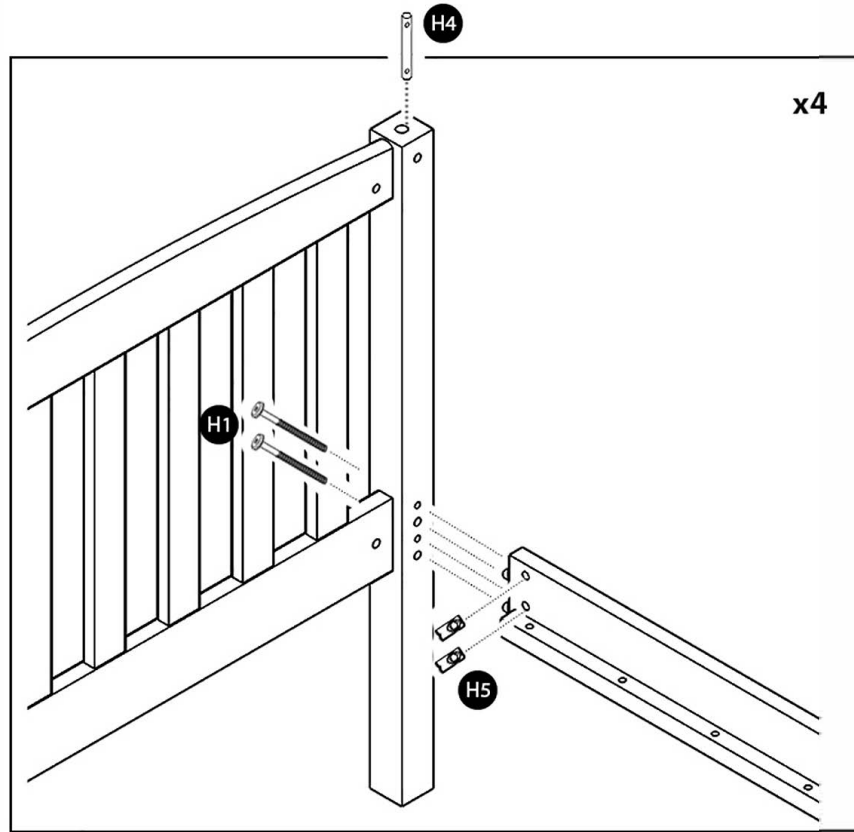


Do not force the Bolt as you may strip the thread. Be sure the thread is properly started.

Be sure the holes are free of wood chips and saw dust.

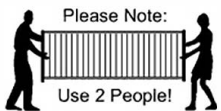
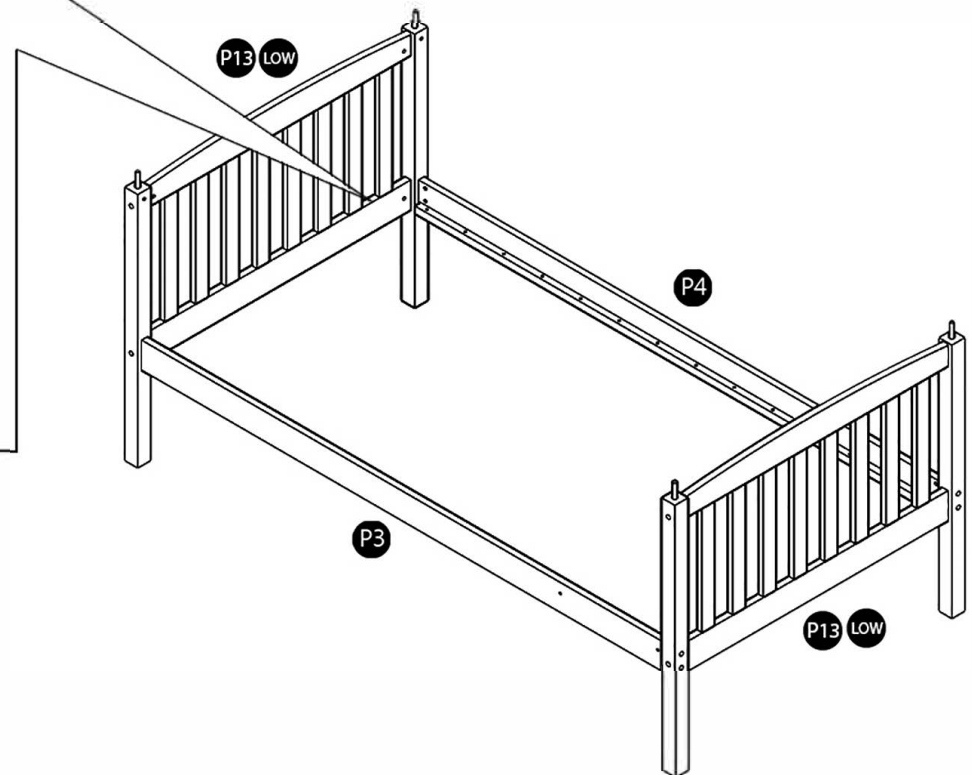
# ASSEMBLY INSTRUCTION

## BUNK BED



### 3. Attach bottom stretcher to lower frame

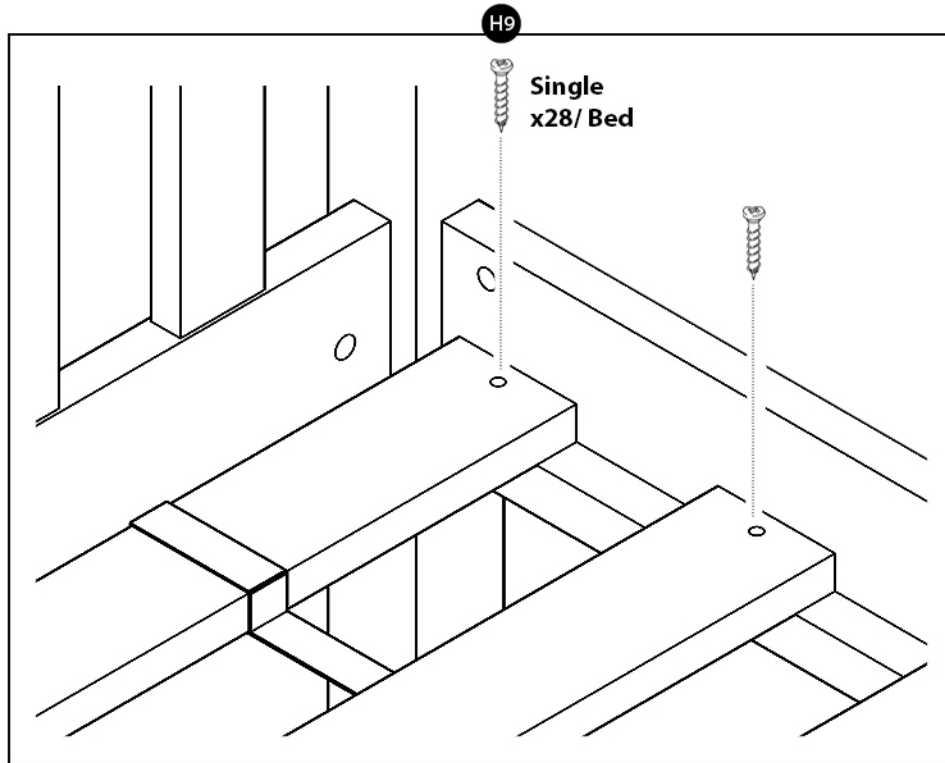
Using 80 mm Bolts (H1) and Barrel Nuts (H5), provided with the bottom frame, attach the Lower Panels (P13) to the Bottom Stretcher (P3), (P4) as shown. Repeat with upper frame & Upper Stretchers (P1), (P2).



Do not force the Bolt as you may strip the thread. Be sure the thread is properly started.

Be sure the holes are free of wood chips and saw dust.

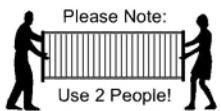
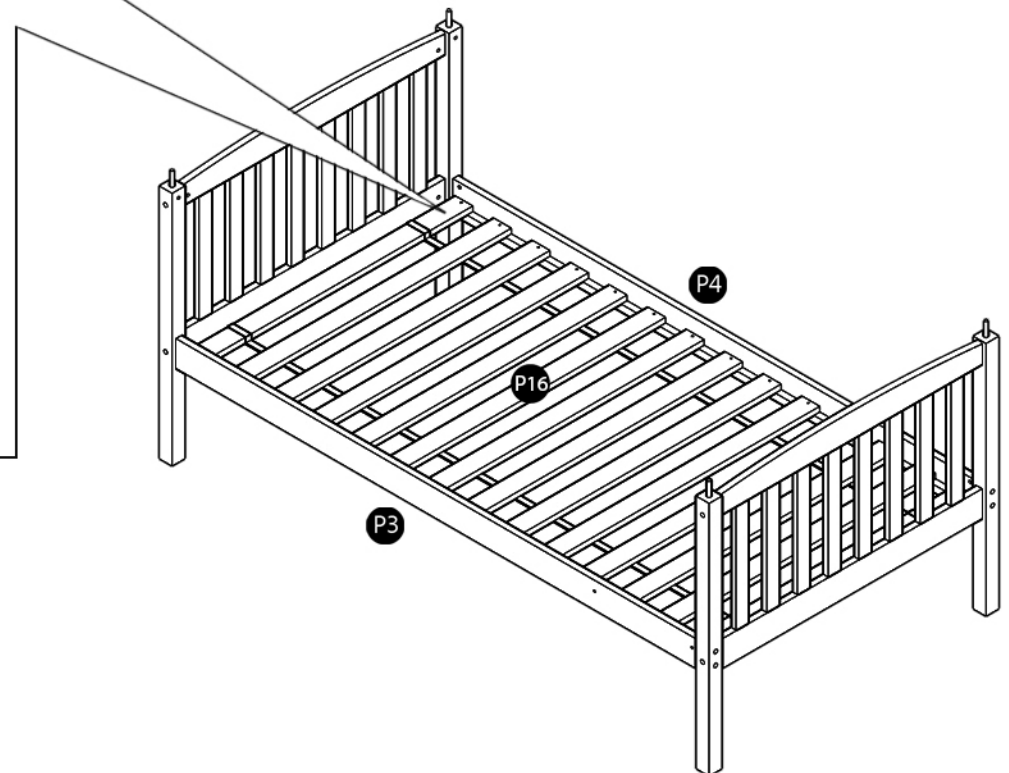
# ASSEMBLY INSTRUCTION



## 4. Fits slats between the stretchers.

Lay the Slats (P16) inside the Bottom Stretchers (P3), (P4) as shown and screw in place with Wood Screws (H9). Total 28 screws for 1 set of slats **single bunk bed**.

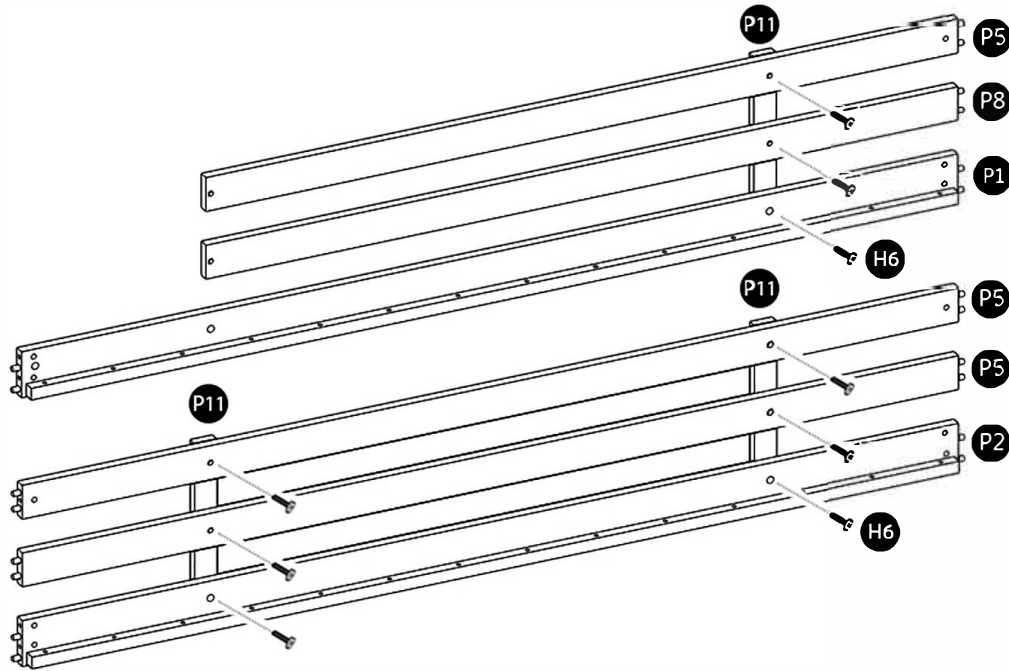
Repeat with Slats (P16) & Upper Stretchers (P1), (P2).



Do not force the Bolt as you may strip the thread. Be sure the thread is properly started.

Be sure the holes are free of wood chips and saw dust.

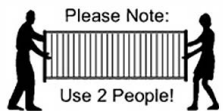
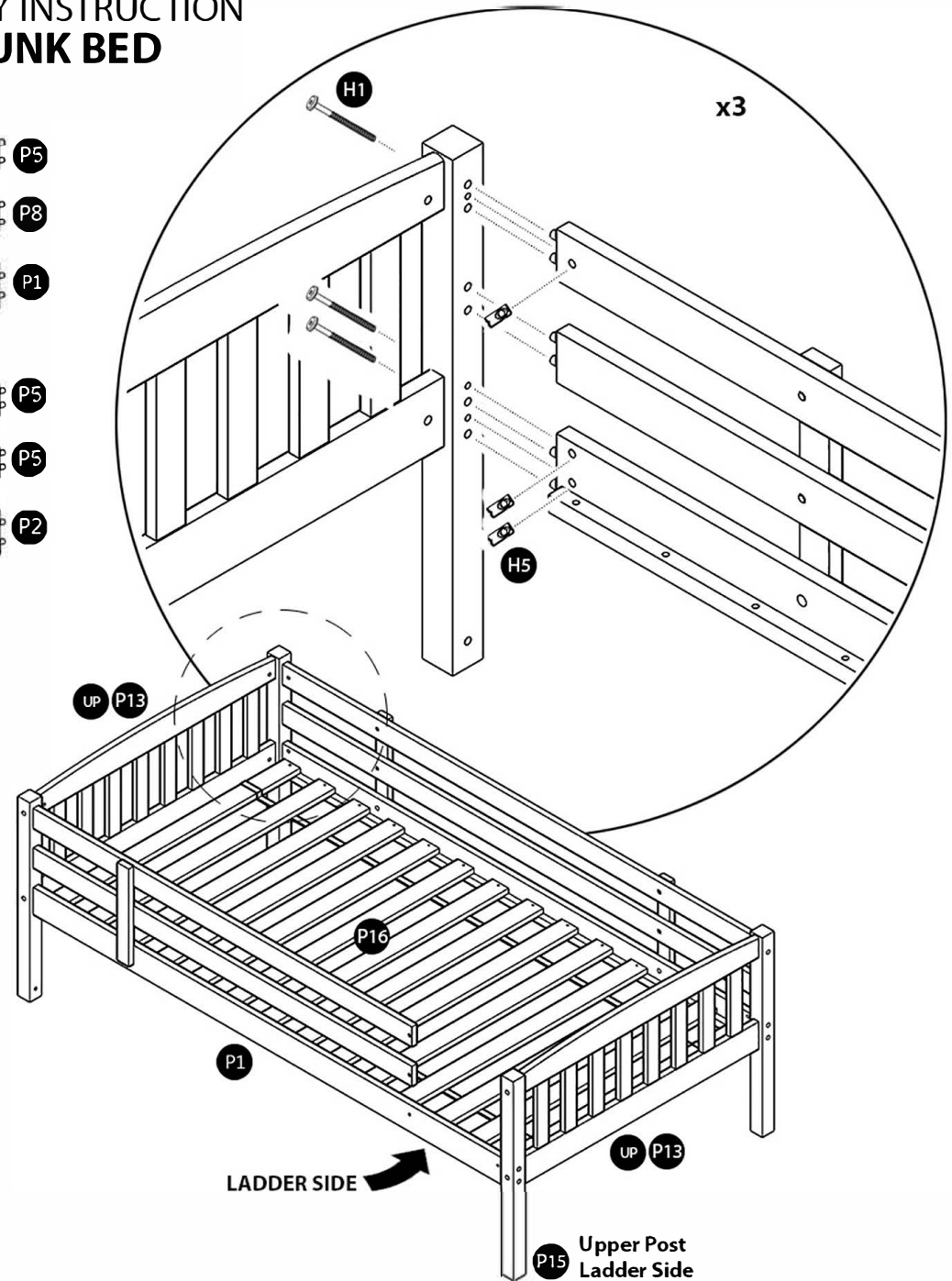
# ASSEMBLY INSTRUCTION BUNK BED



## Construction of Top Bunk Bed.

**3A. Attach guard rail and front guard rail to reinforcement crossbar as shown.**  
Use 30 mm Bolts (H6) provided with the Reinforcement Crossbar (P11) as shown.  
Rear Guard Rails (P5), (P6) with 2 Reinforcement Crossbar (P11) and Front Guard Rails (P7), (P8) with 1 Reinforcement Crossbar (P11).

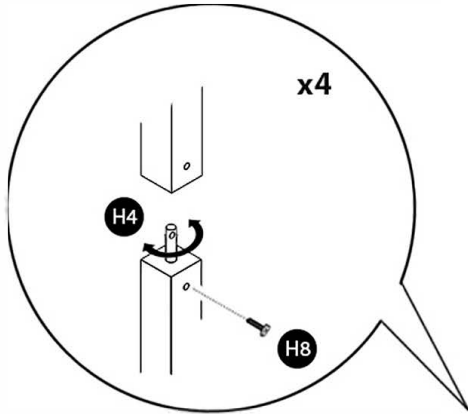
**3B. Attach rear rail and front guard rail to upper frame.**  
Use 60 mm Bolts (H1) and Barrel Nuts (H5) provided with the upper frame, attach the upper frame to Rear Guard Rails (P5), (P6) and to Front Guard Rails (P7), (P8) as shown.



Do not force the Bolt as you may strip the thread. Be sure the thread is properly started.

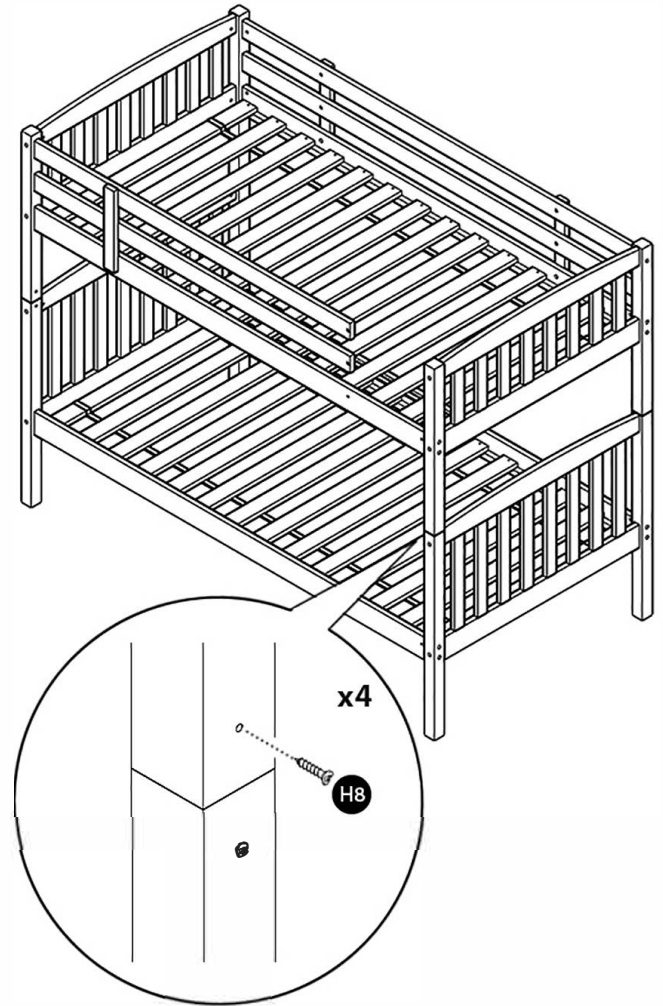
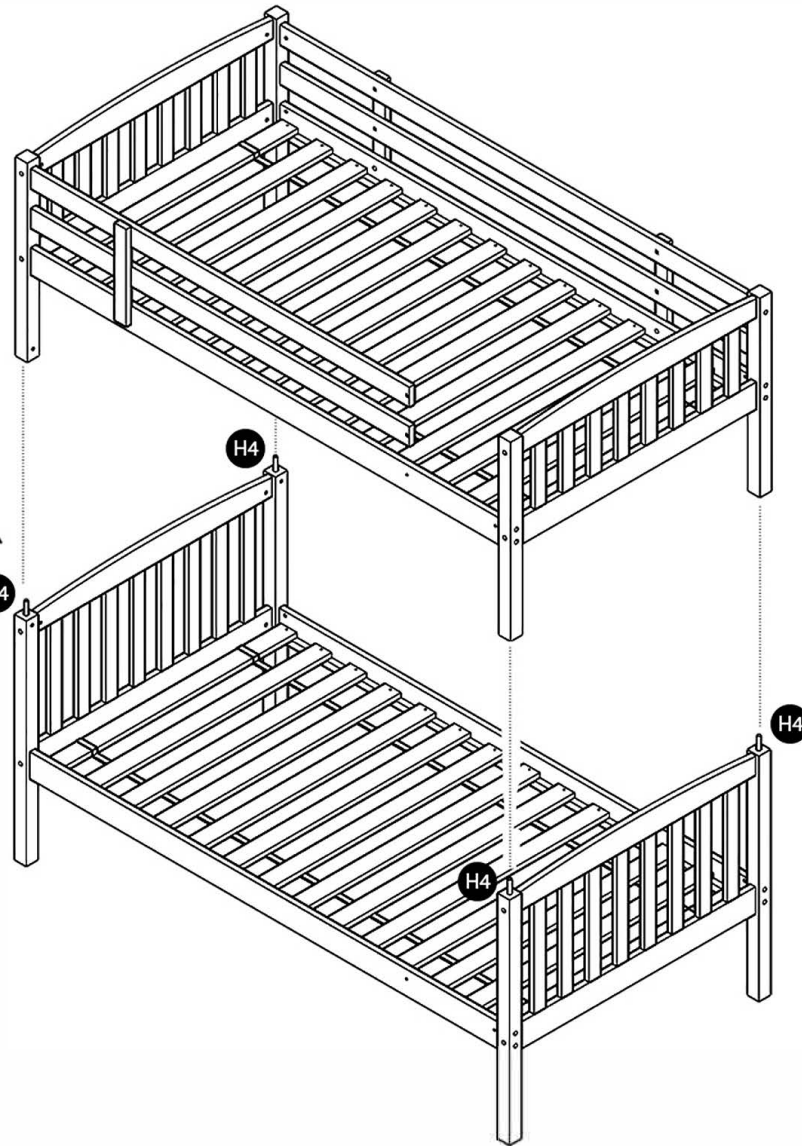
Be sure the holes are free of wood chips and saw dust.

# ASSEMBLY INSTRUCTION BUNK BED

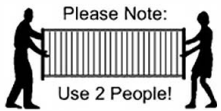


**4. IMPORTANT!**  
**Do this step for all lower posts before lifting the upper bunk**  
Tilt to make sure the holes of Metal Tubes (H4) are facing inside aligning with the screw holes.

**4A. Use screw (H8) to tighten lower posts.**



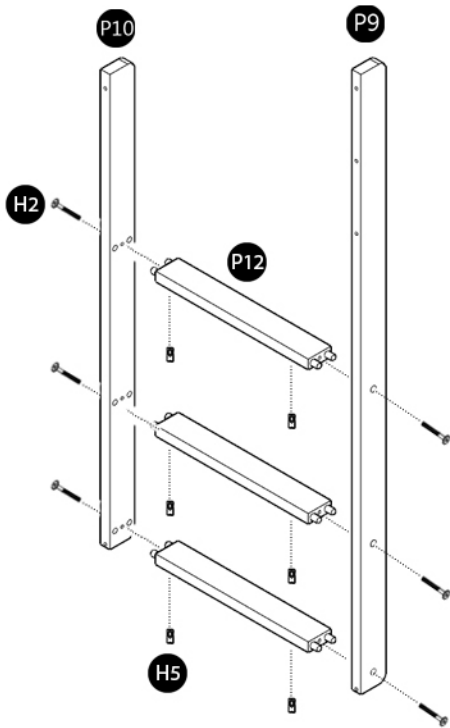
**4B. Fit the upper bunk onto the lower bunk.**  
Carefully lift the top bunk onto the lower bunk.  
**Use screw (H8) to tighten upper posts.**



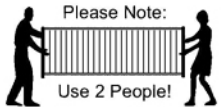
Do not force the Bolt as you may strip the thread. Be sure the thread is properly started.

Be sure the holes are free of wood chips and saw dust.

# ASSEMBLY INSTRUCTION

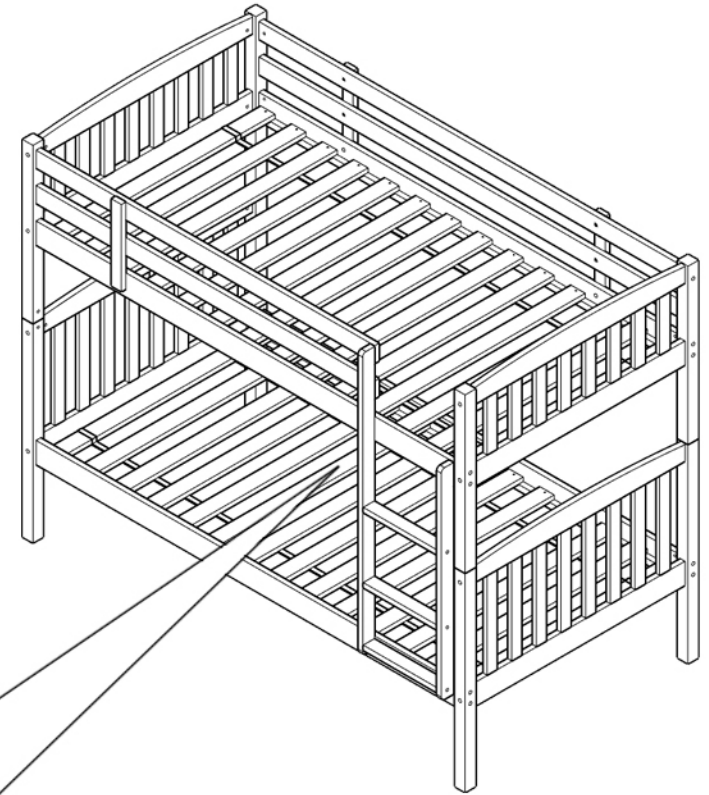
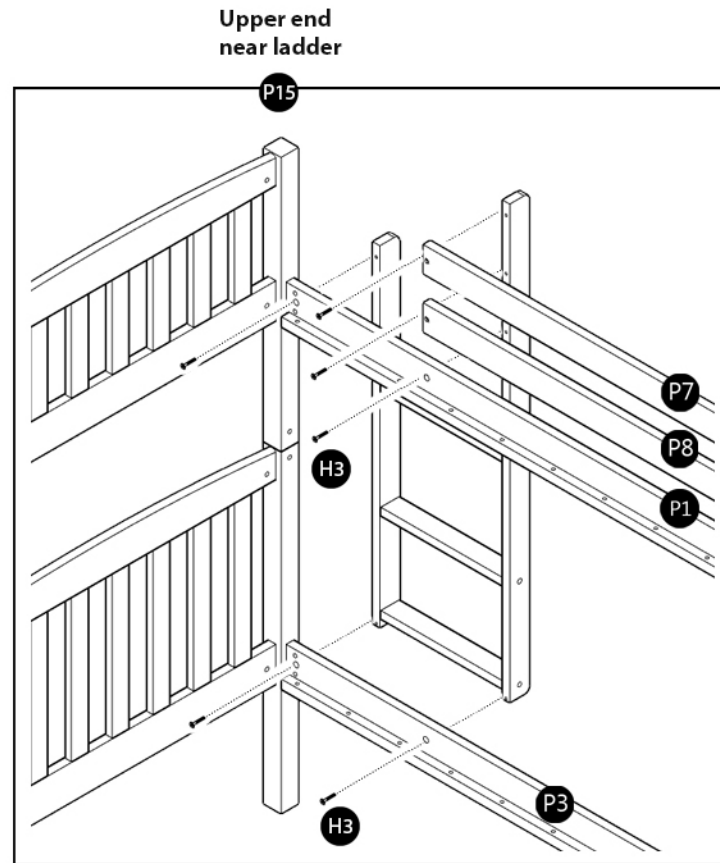


**5A. Attach the ladder step to ladder rail.**  
Using 50mm Bolts (H2) and Barrel Nuts (H5) provided with the Ladder Rail (P9), (P10). Attach the Ladder Steps (P12) to Ladder Rail (P9), (10) as shown.



Do not force the Bolt as you may strip the thread. Be sure the thread is properly started.

Be sure the holes are free of wood chips and saw dust.



**5B. Attach the ladder to upper bunk and lower bunk.**  
Using 40mm Bolts (H3) to secure ladder to upper bunk: Front Top Guard Rail (P7), Front Mid Guard Rail (P8), Upper Front Stretcher (P1), and lower bunk: Bottom Front Stretcher (P3).

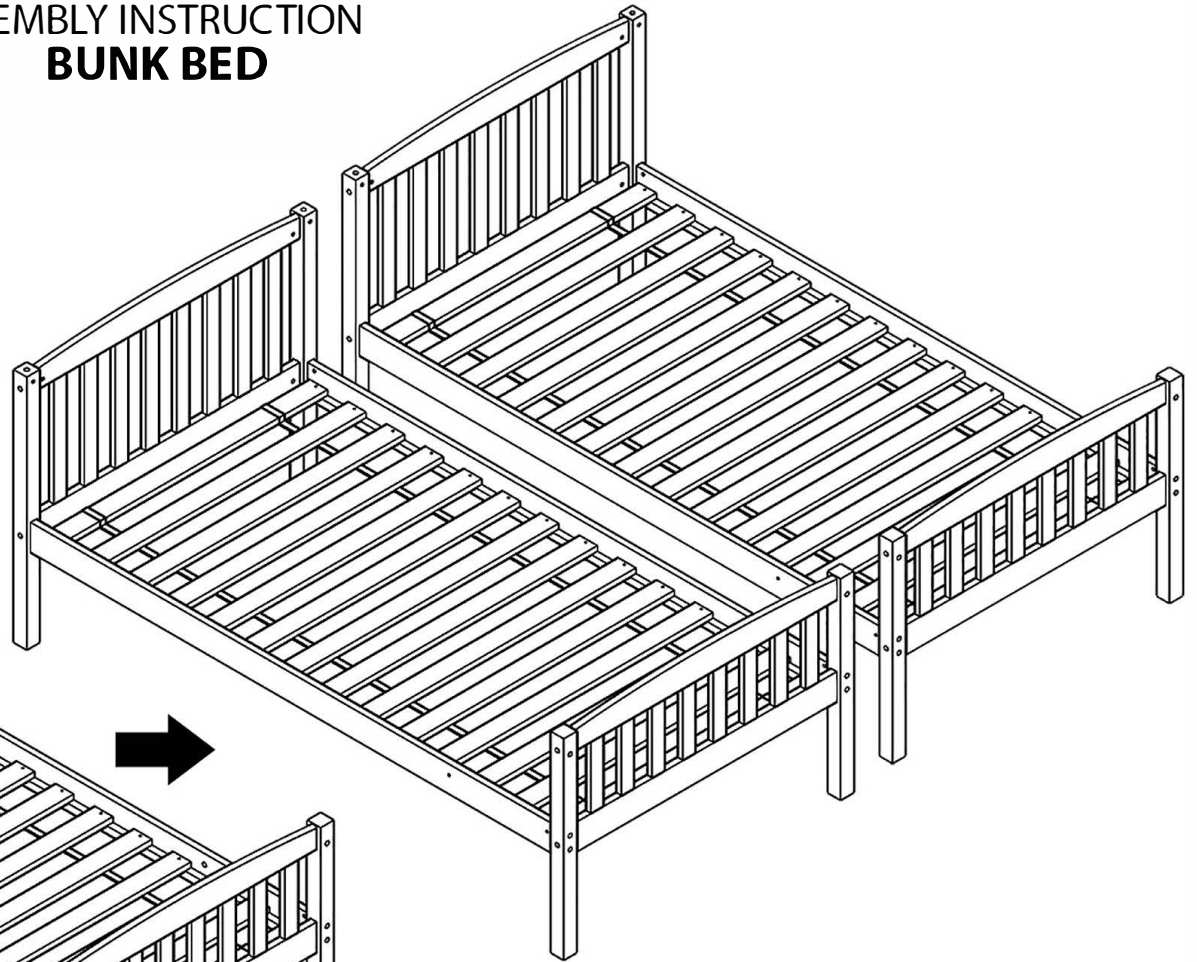
# ASSEMBLY INSTRUCTION

## BUNK BED

### 6A. Bunk bed assemble to 2 single beds.

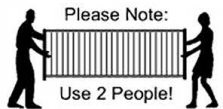
Remove the ladder. Put the upper bunk bed down. Drop off the Guard Rails (P5), (P6), (P7), (P8) and Metal Tubes (H4).

### 6B. Interchange the frame as shown.



Upper Bunk Bed

Lower Bunk Bed



Do not force the Bolt as you may strip the thread. Be sure the thread is properly started.

Be sure the holes are free of wood chips and saw dust.