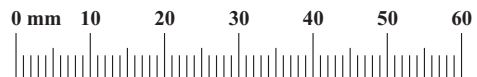
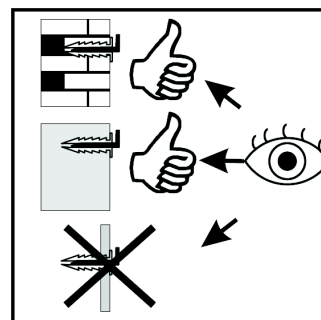
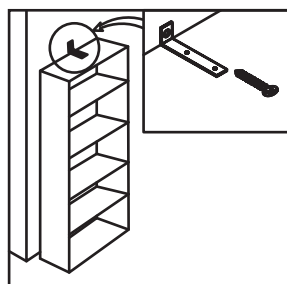
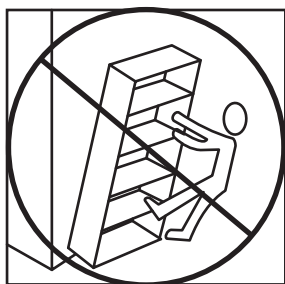
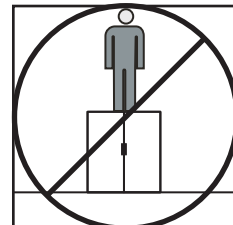
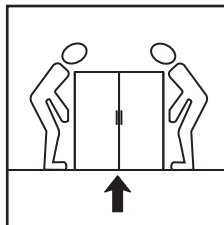
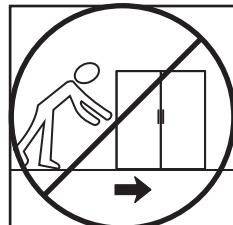
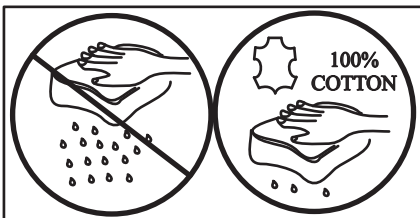
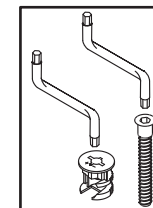
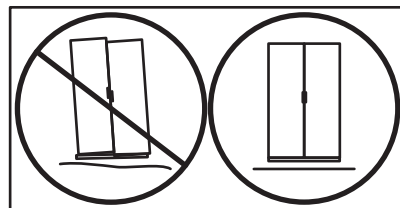
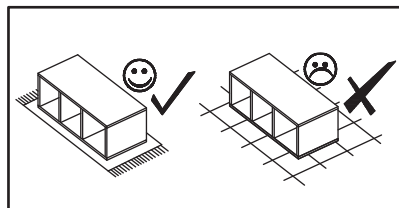
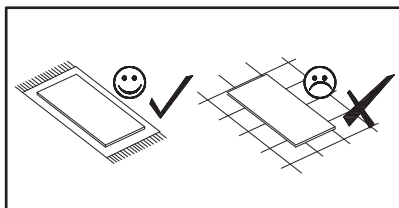
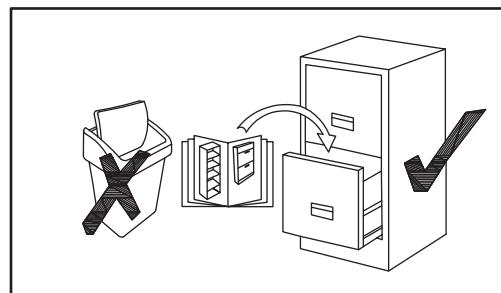
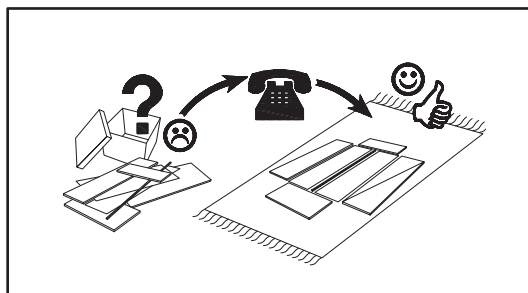
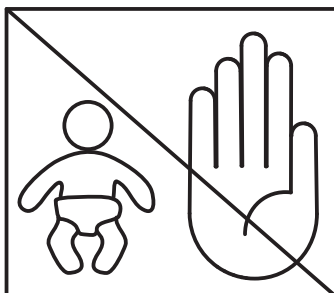
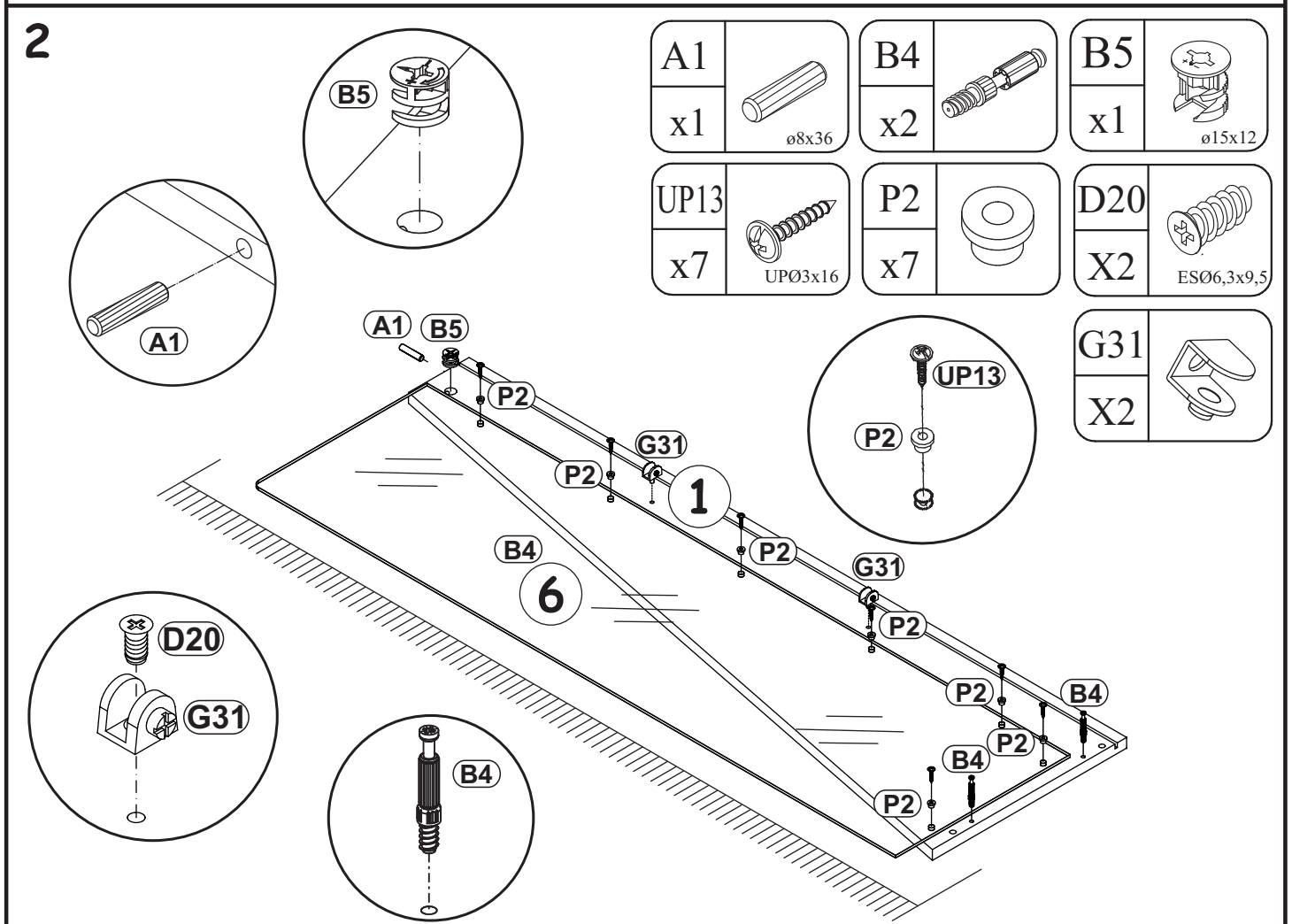
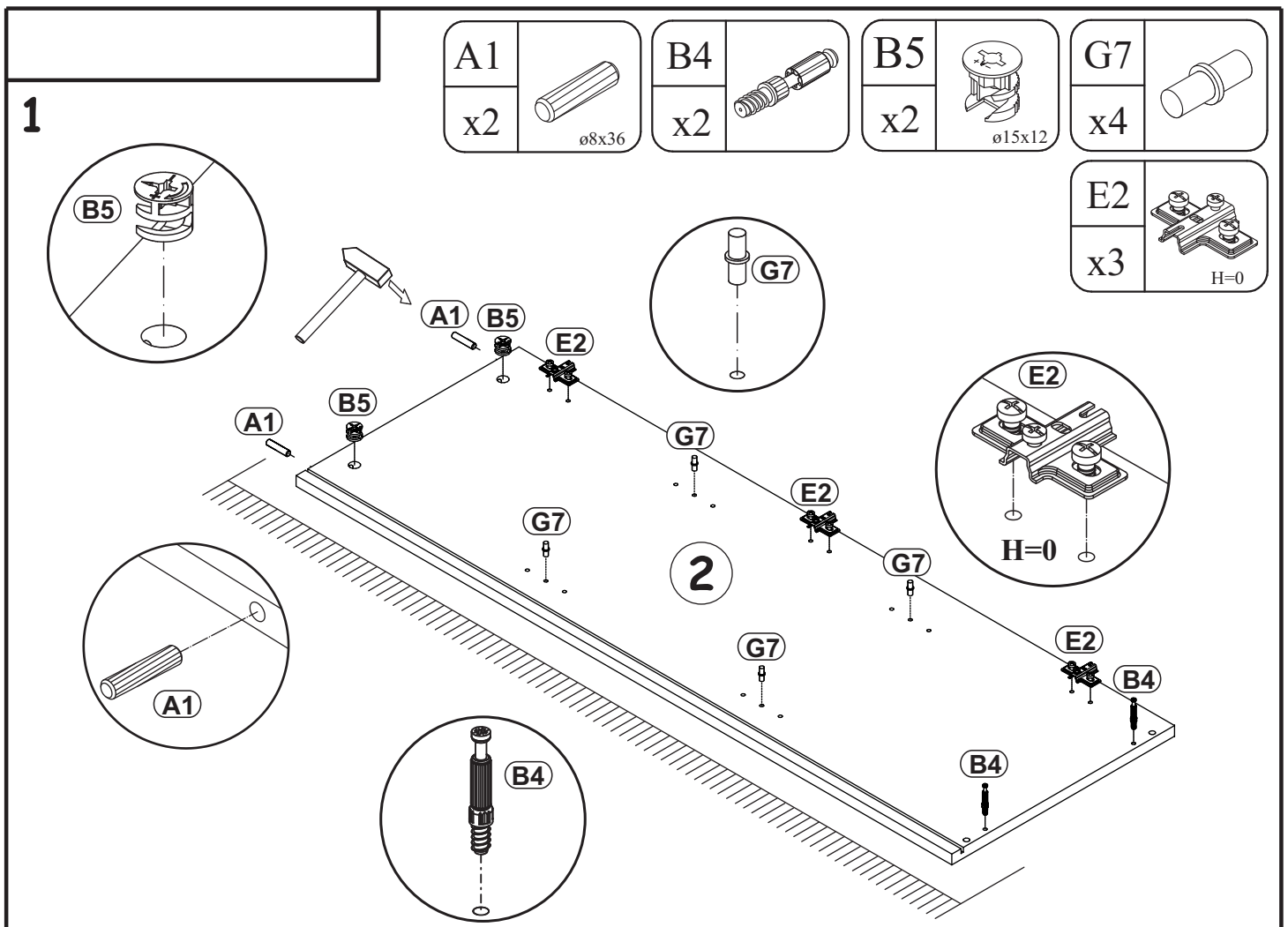


NO	Dim.			Col.-No	Qty
1	1130	334	16	1	1
2	1130	384	16	1	1
3	868	384	16	2	1
4	902	384	16	2	1
5	1114	364	16	1	1
6	1105	300	4	1	1
7	305	279	4	2	1
9	414	349	6	2	2
10	426	354	16	2	2
11	396	1140	16	1	1
12	446	1140	16	1	1
13	1105	280	4	1	1
14A	1125	440	3	1	1
14B	1125	440	3	2	1

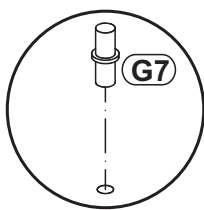
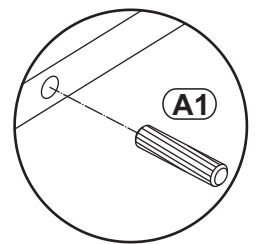
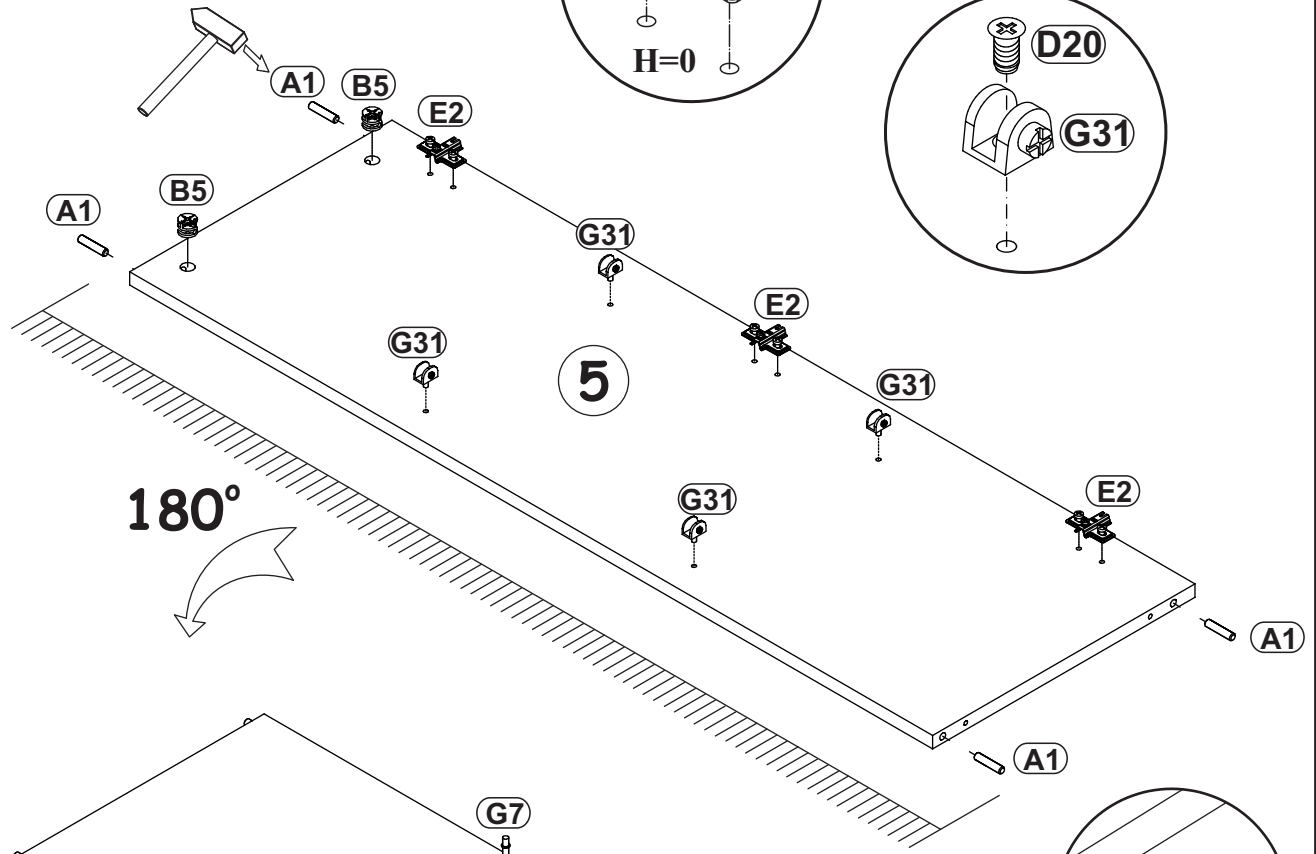
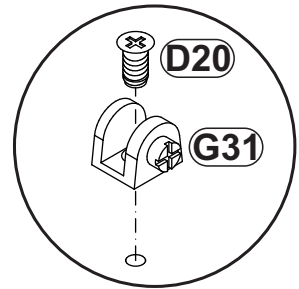
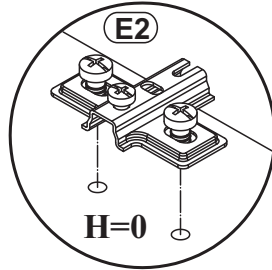
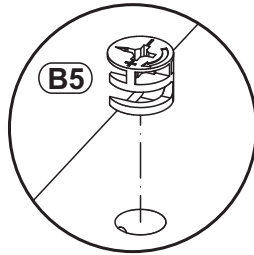
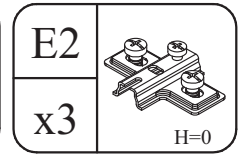
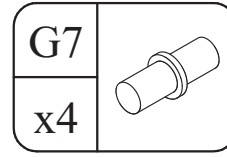
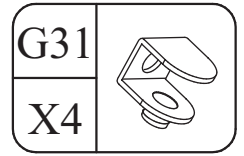
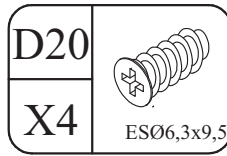
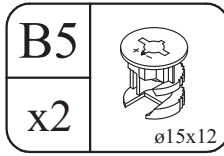
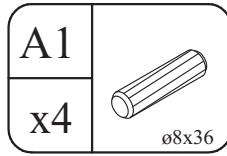


A1 x11 ø8x36	B4 x9	B5 x9 ø15x12	G5 x9	B11 x2 ø7x50	G4 x2
E21 x3 Ø35 H=0	E2 x6 H=0	E23 x3 Ø35 H=8	D10 x16 USØ3,5x13	G7 x8	G31 x6
ST17 x6	UP11 x12 UPØ4x20	G16 x7	UP13 x25 UPØ3x16	P2 x18	D20 x6 ESØ6,3x9,5
LED x1 x2	S1 x16	KR1 x2	L1 x2	G2 x1	U19 x2
DS4 x4 WSM4x22					

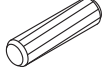
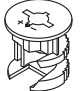


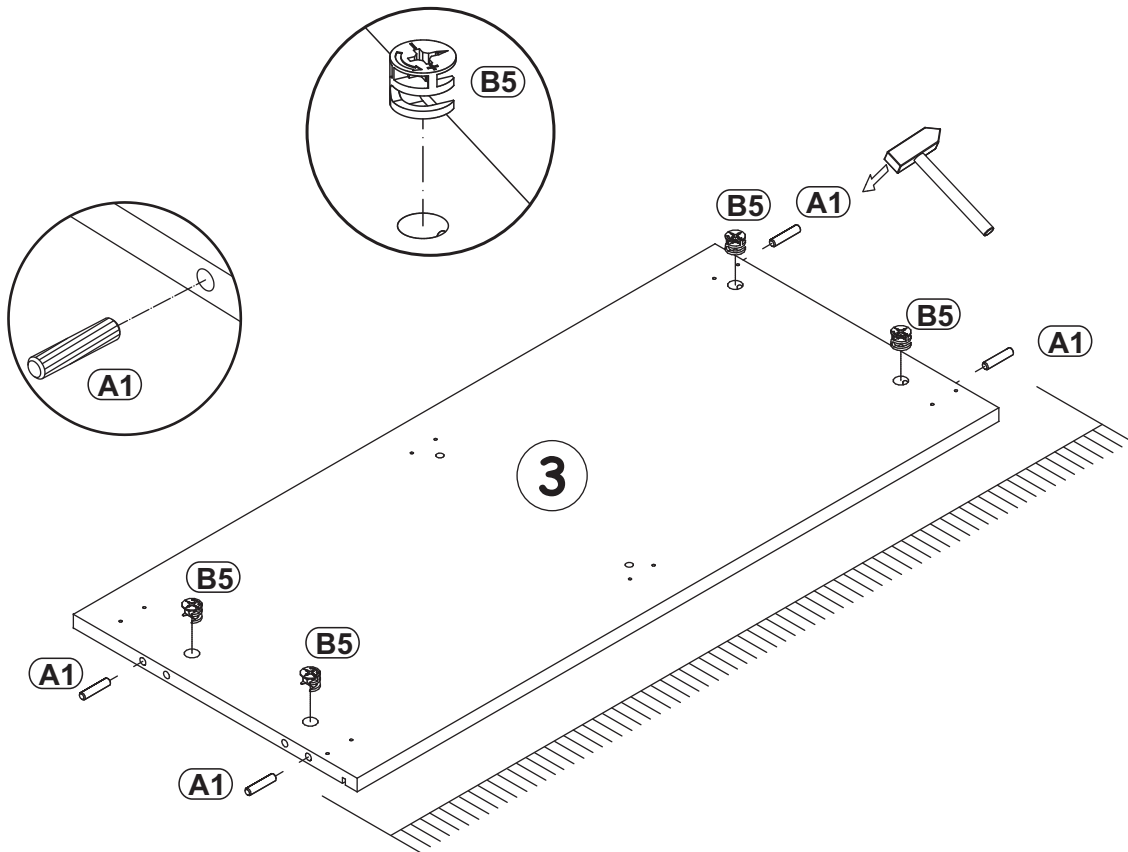


3

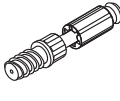

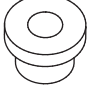


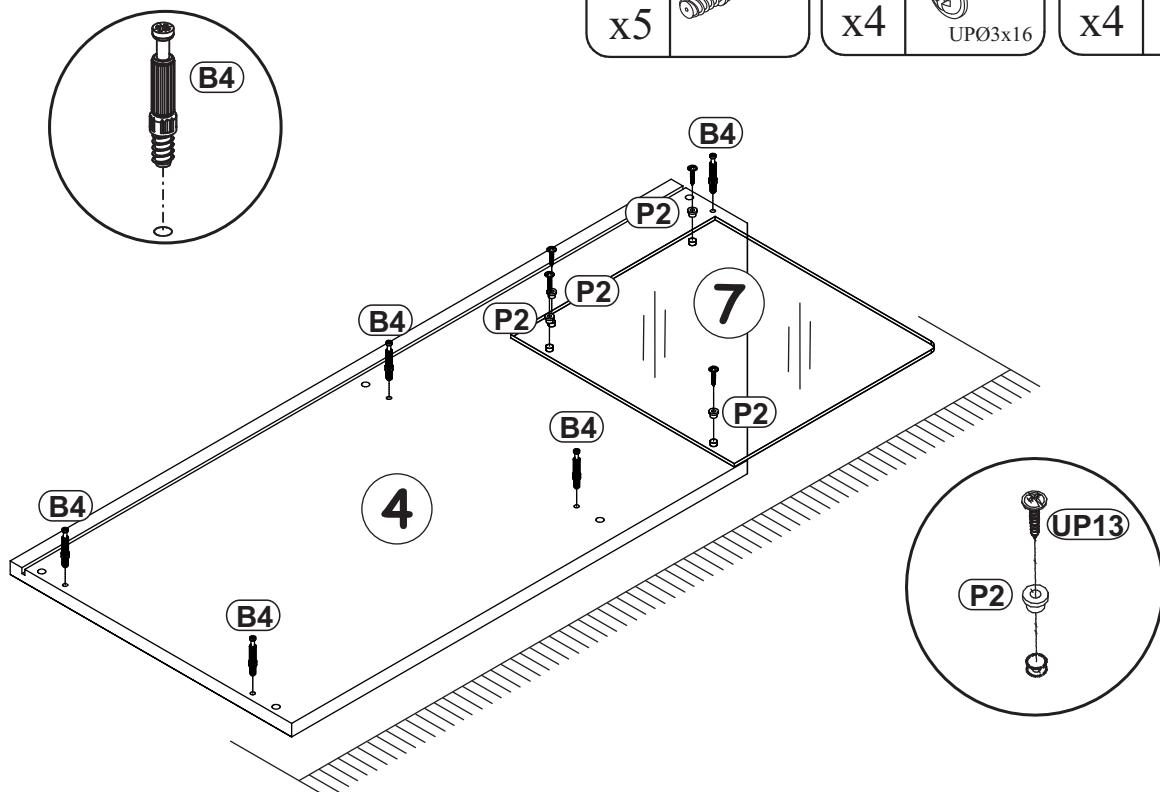
4

A1		B5	
x4	ø8x36	x4	ø15x12

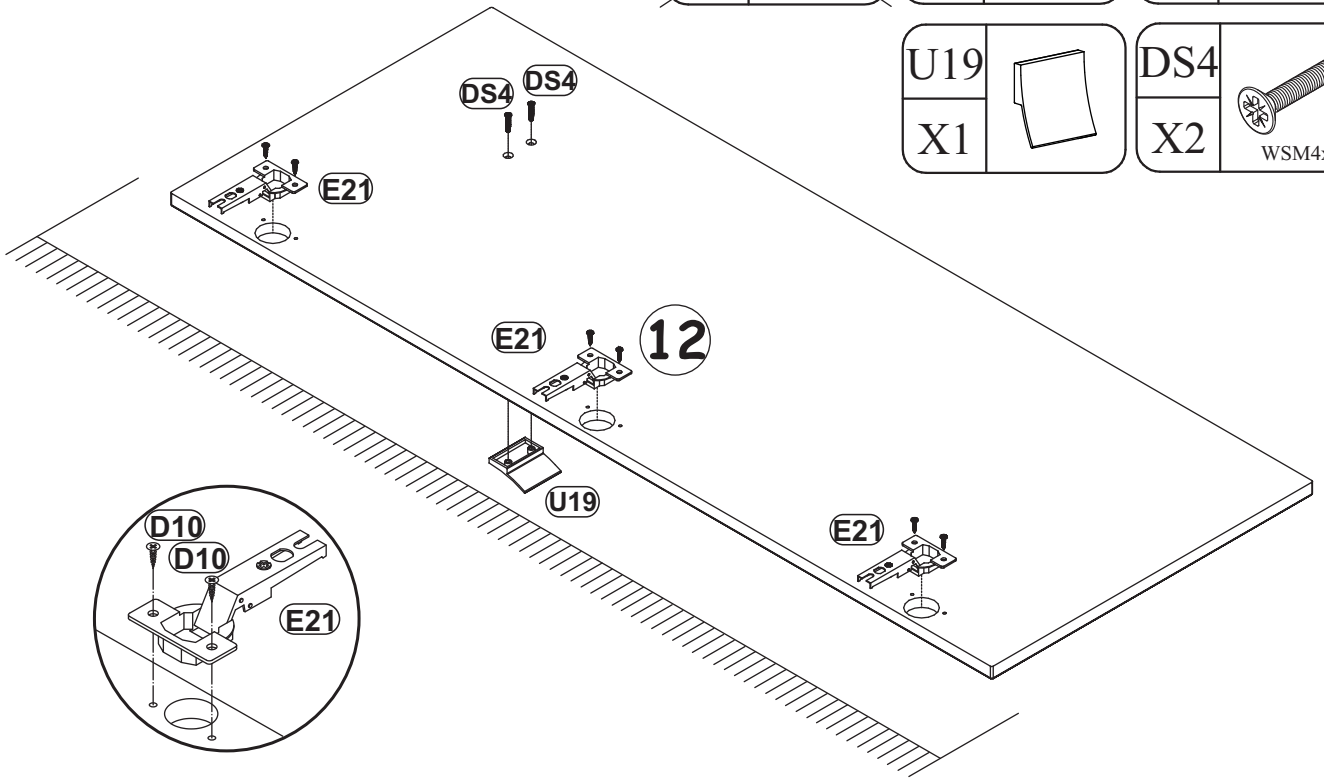
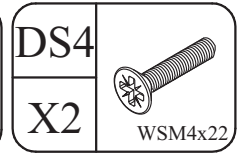
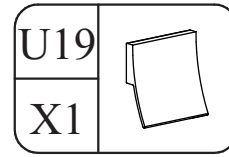
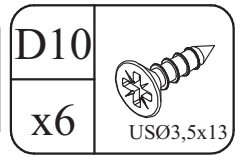
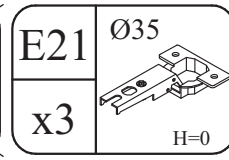
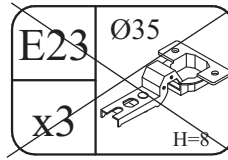


5

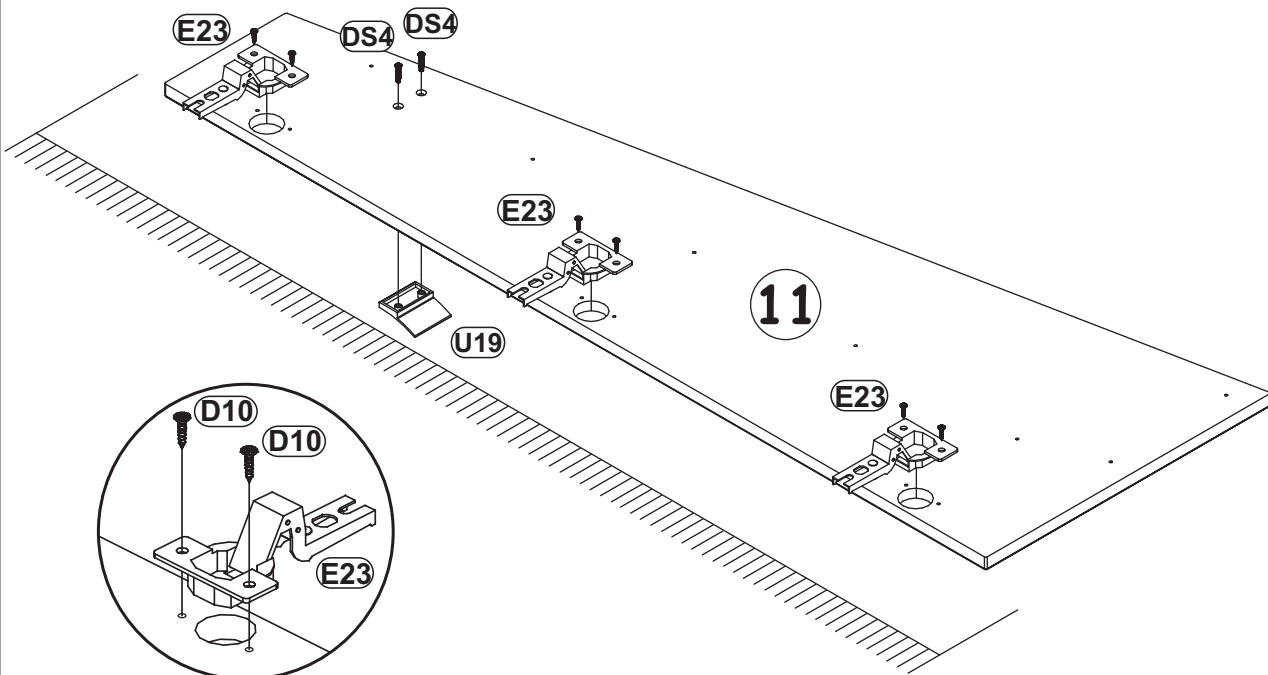
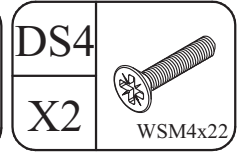
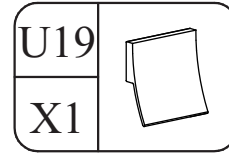
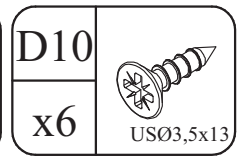
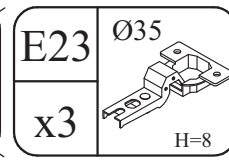
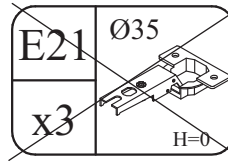
B4		UP13		P2	
x5		x4	UPØ3x16	x4	





6

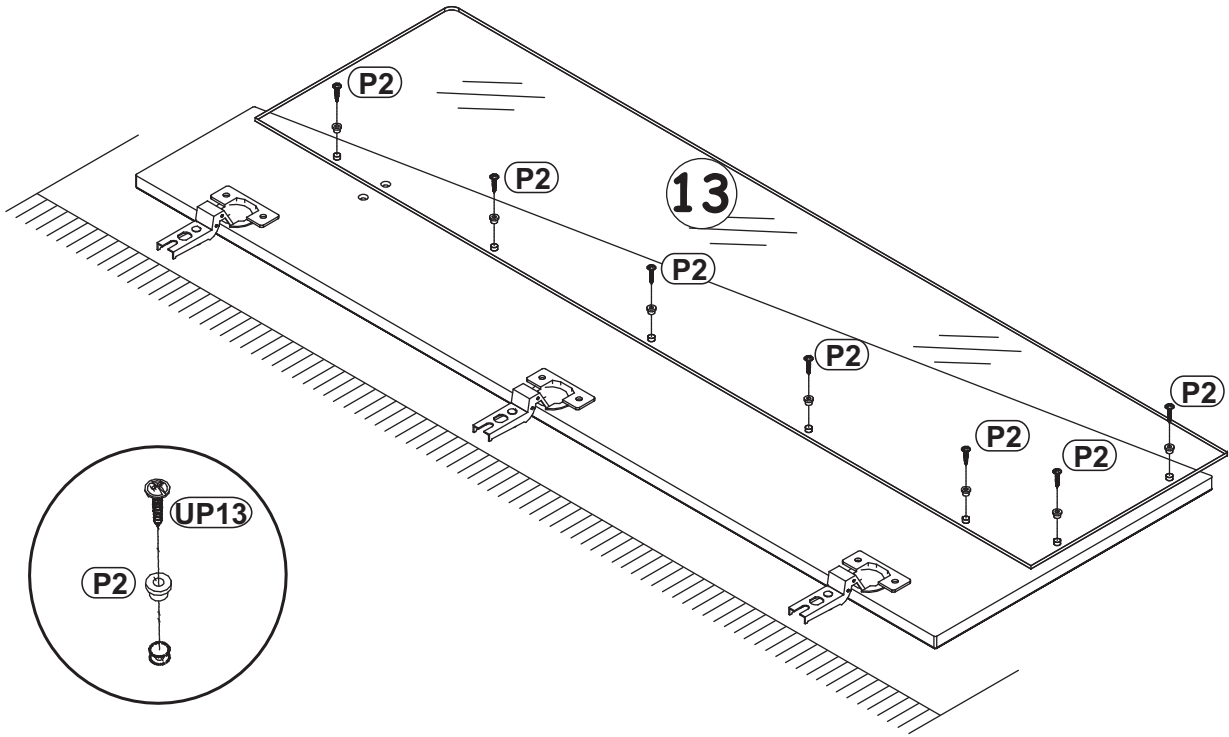


7

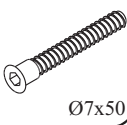




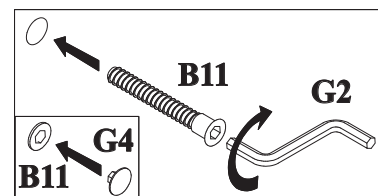
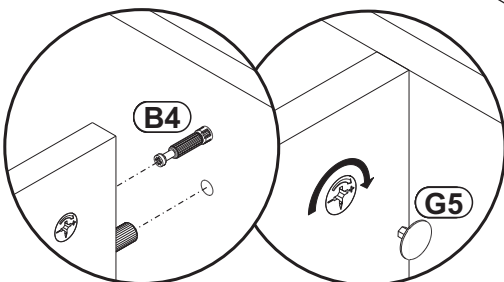
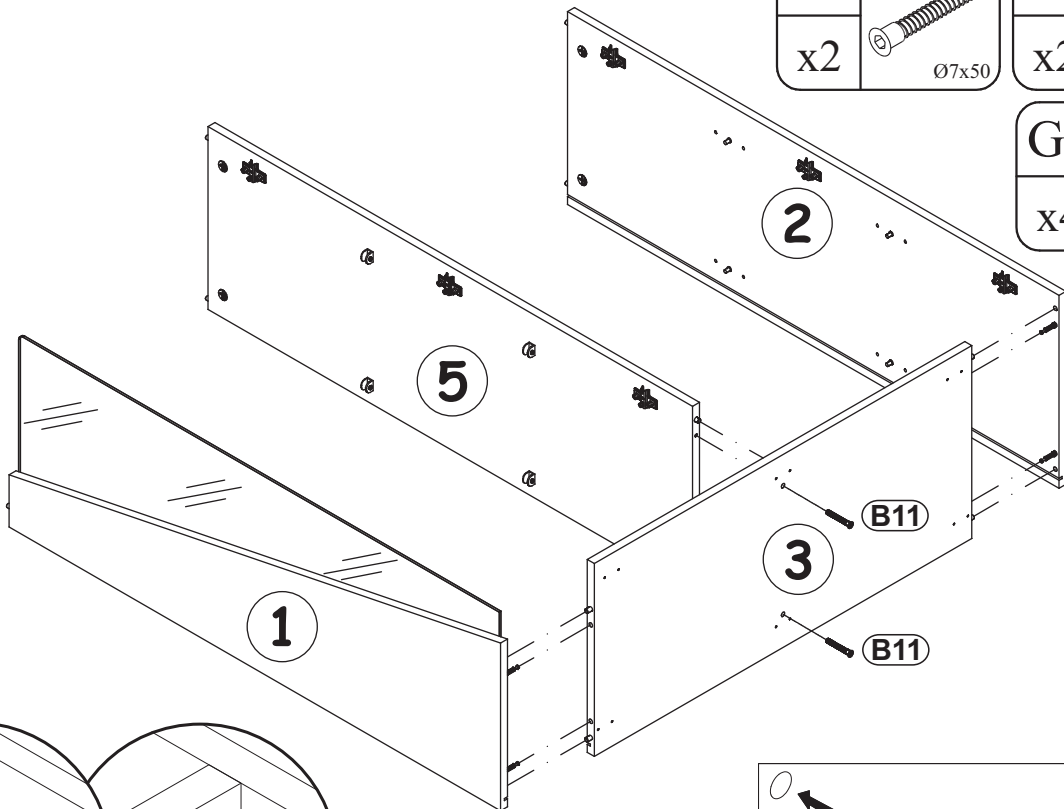
8

P2		UP13	
x7		x7	UP03x16

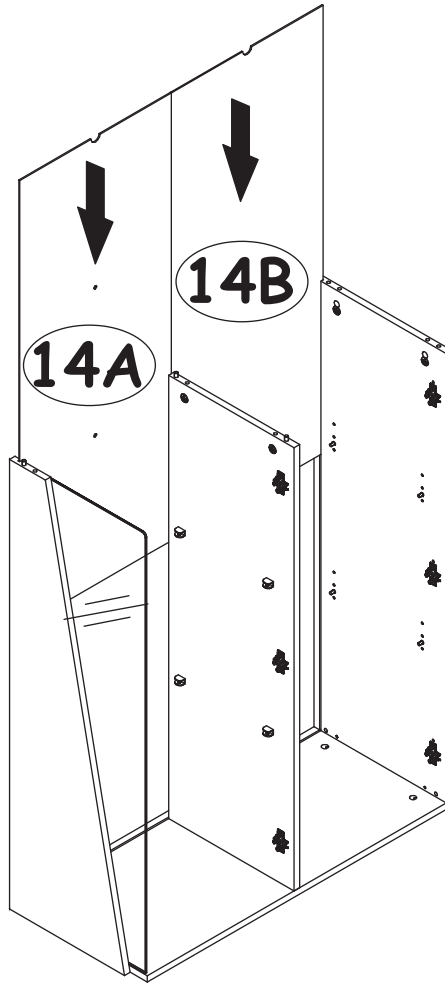


9

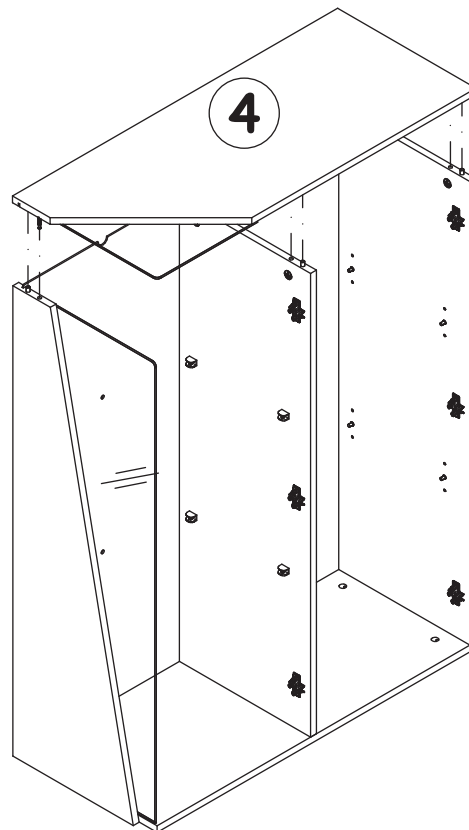
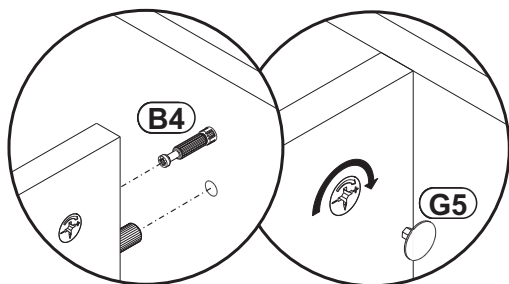
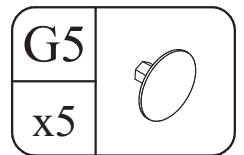
B11		G4	
x2	Ø7x50	x2	
G5			
x4			



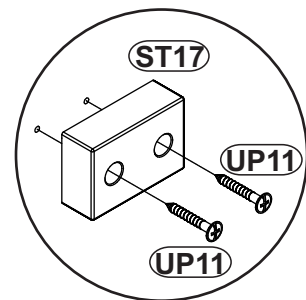
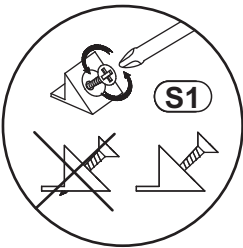
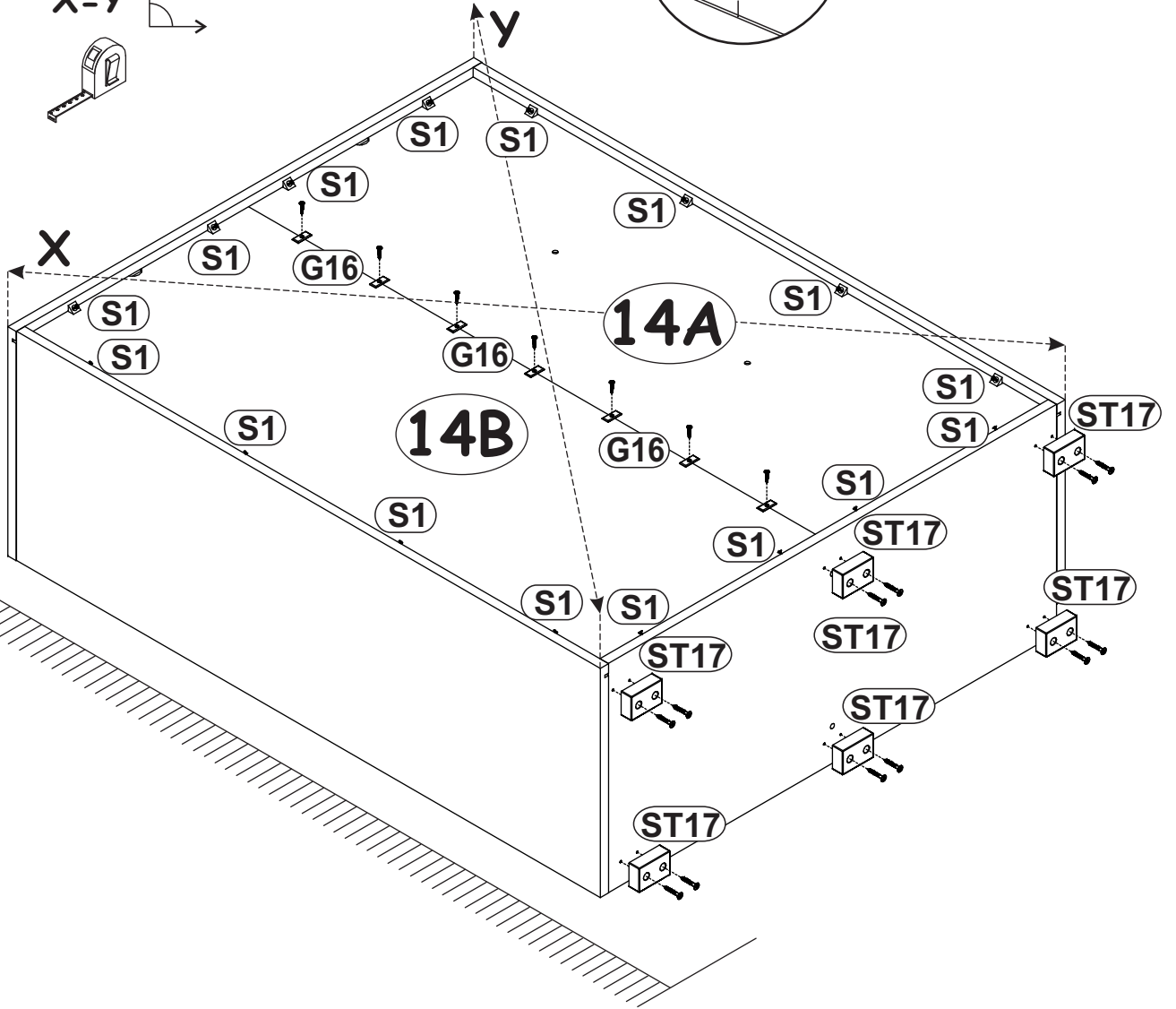
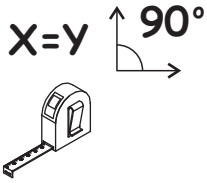
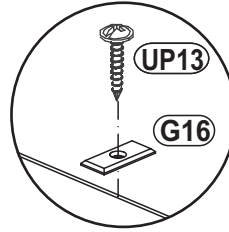
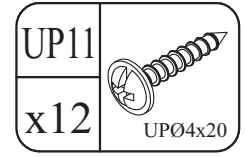
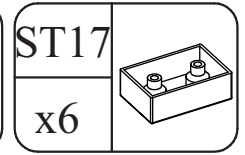
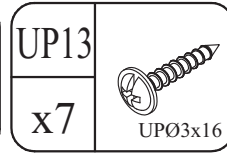
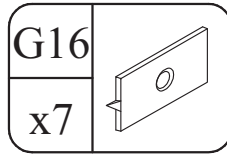
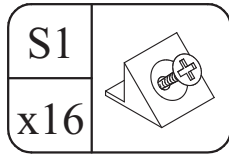
10



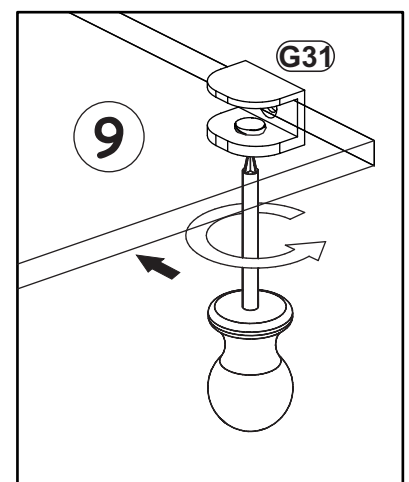
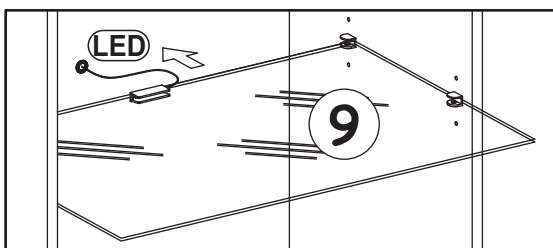
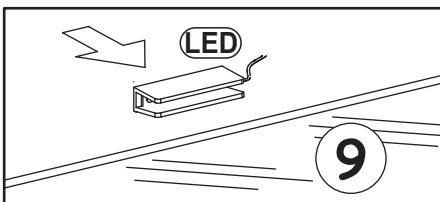
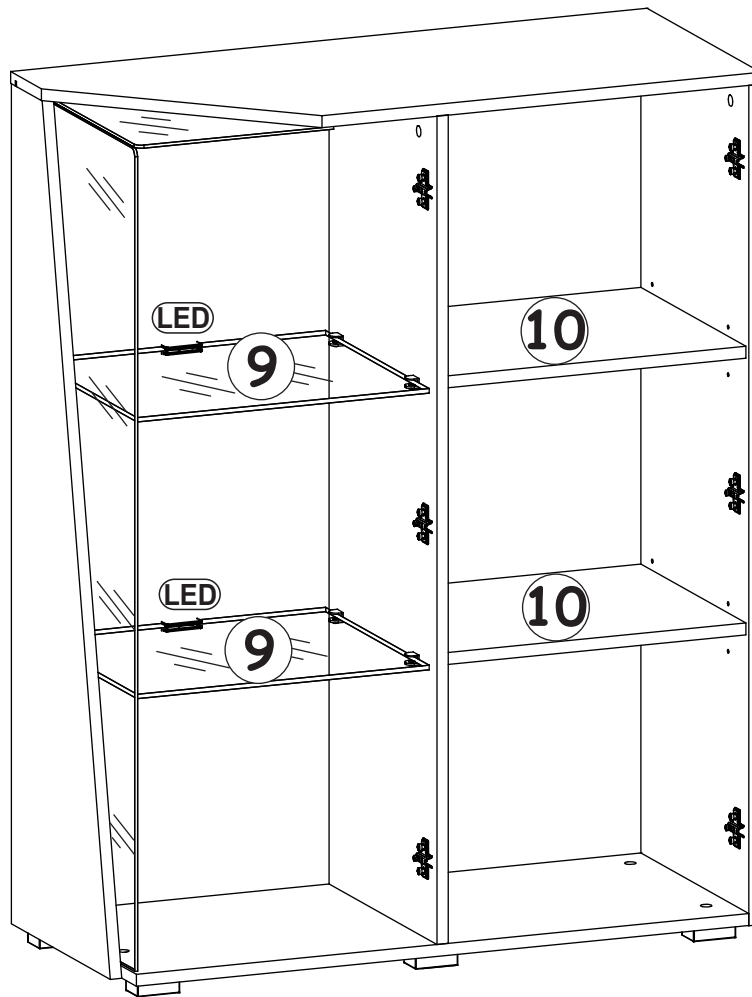
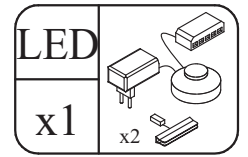
11



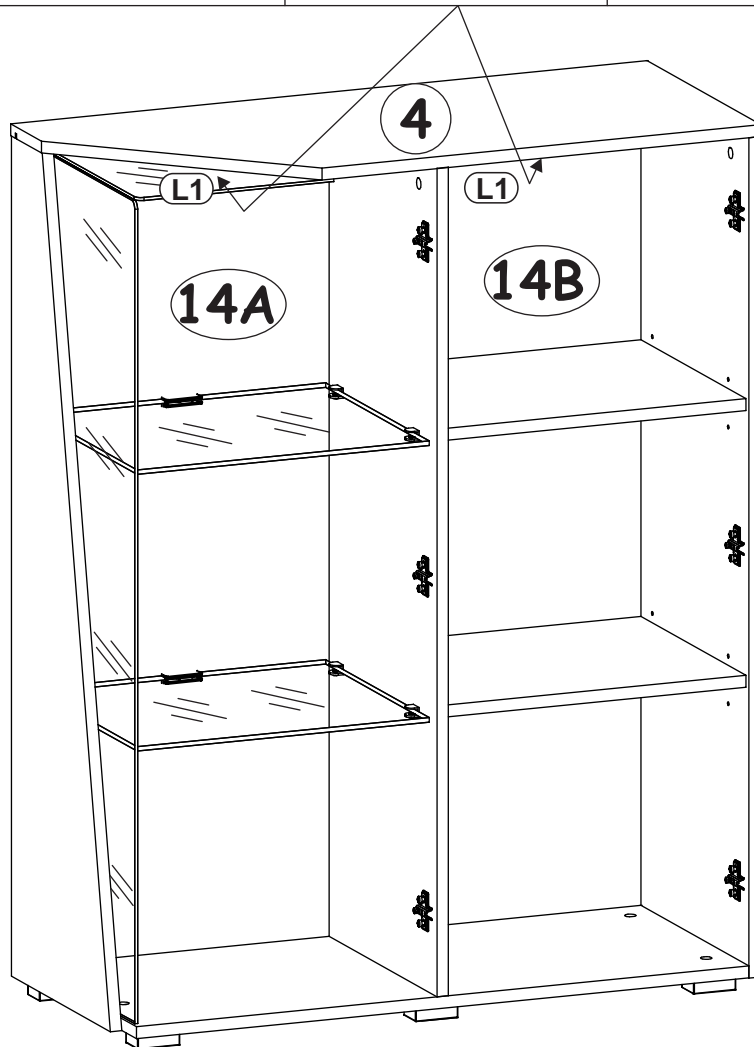
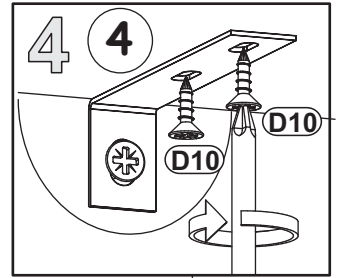
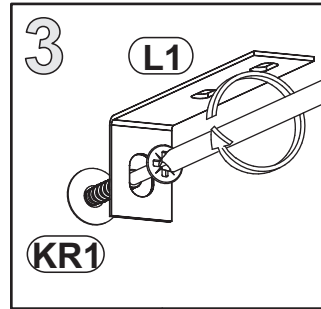
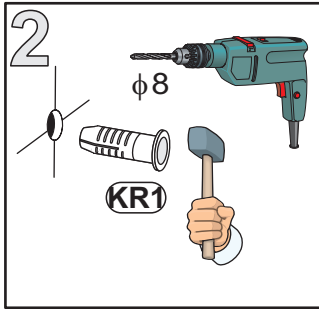
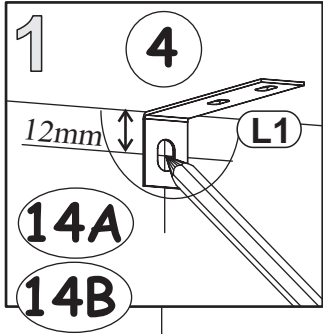
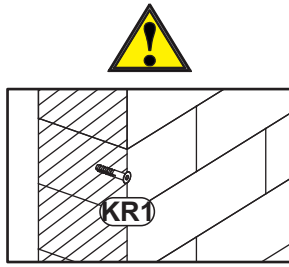
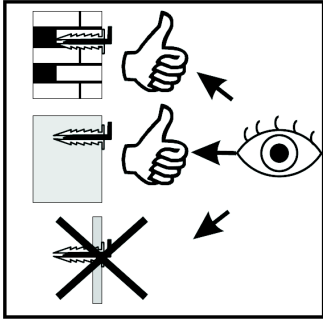
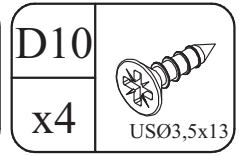
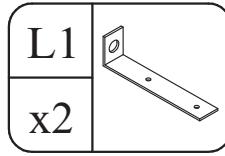
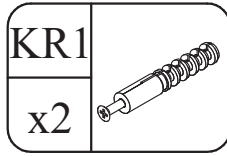
12



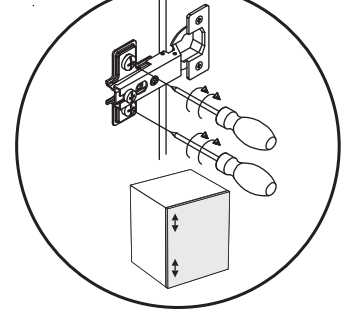
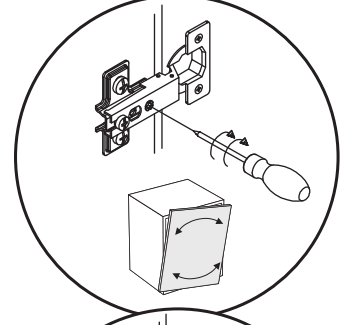
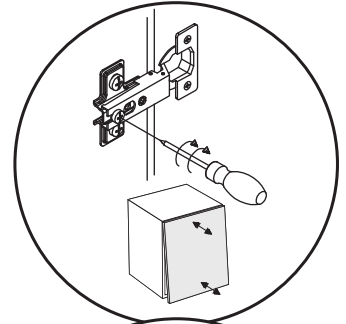
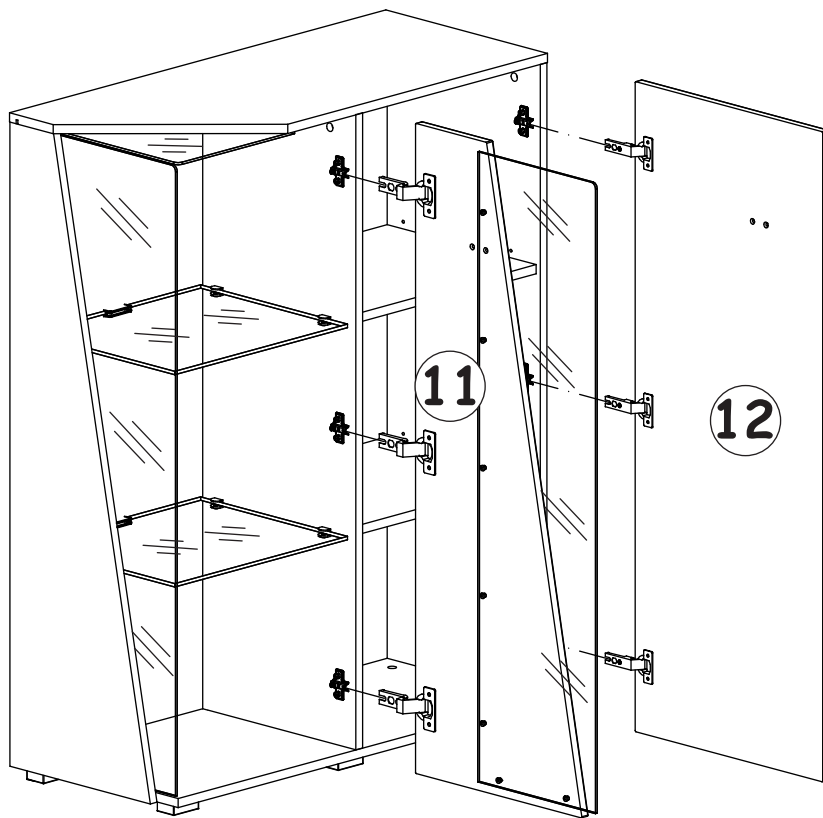
13



14



15



16

