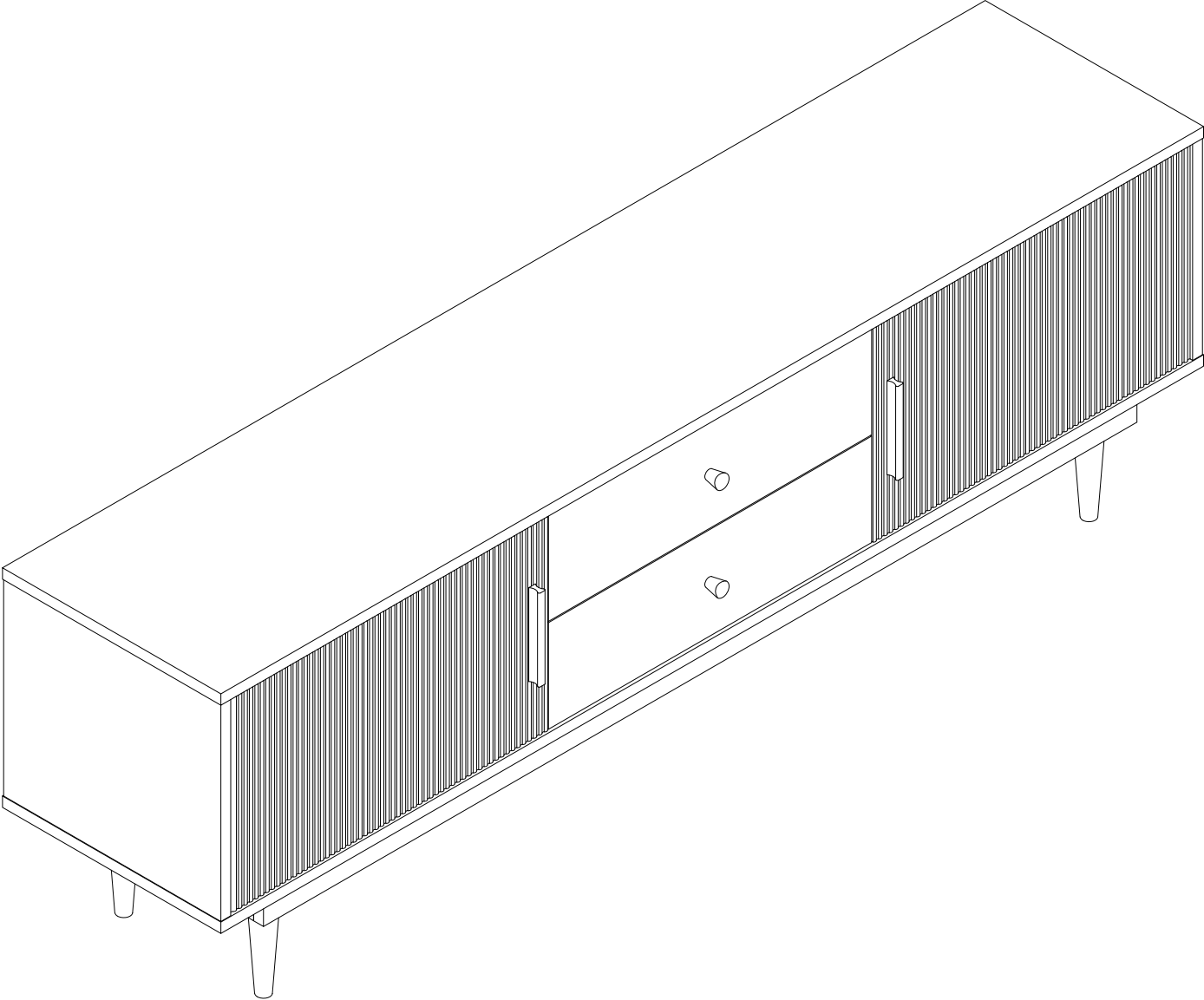
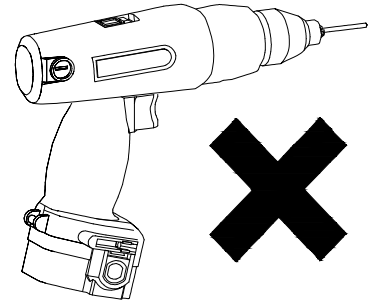
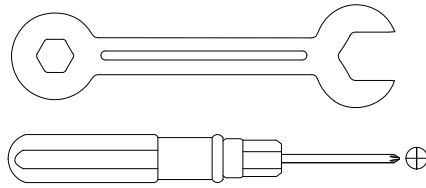
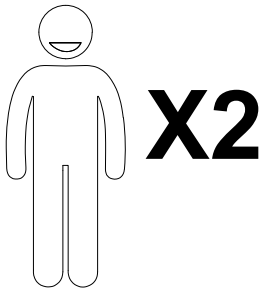
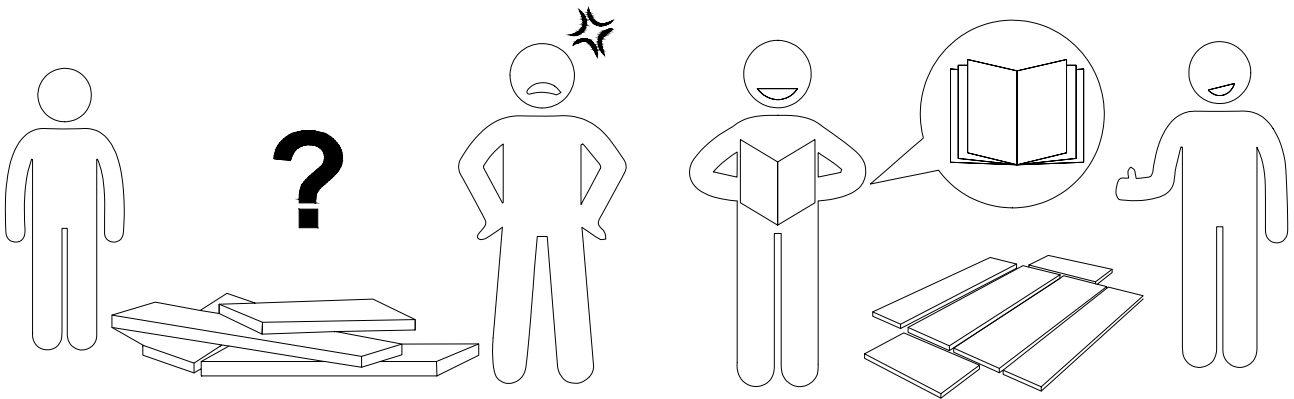

Modern Extendable TV Stand





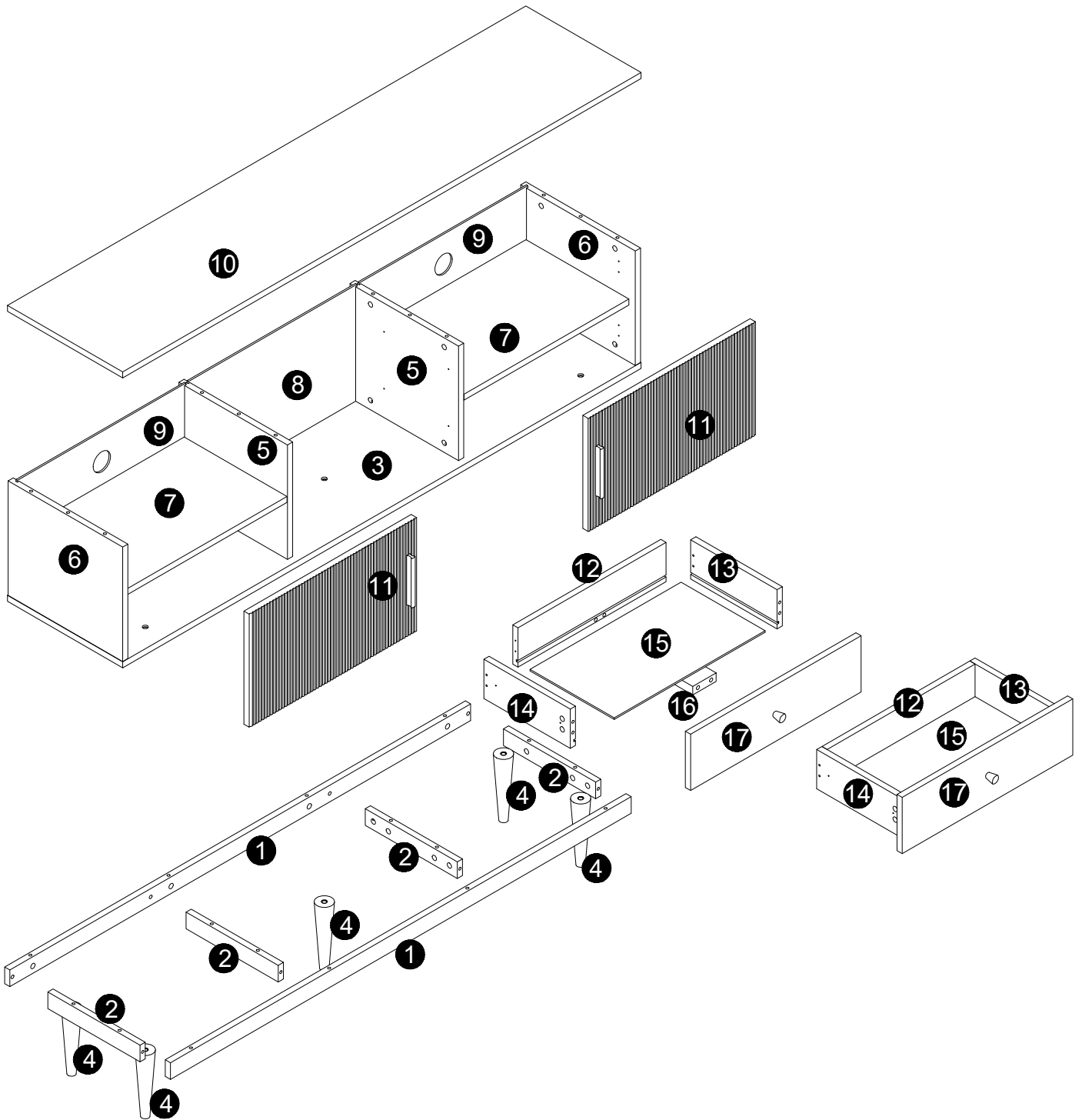
We recommend using hand tools for assembly.

If an electric screwdriver is used, reduce power and torque to avoid damage to the product.



Warm Tips

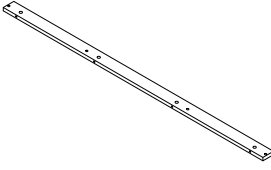
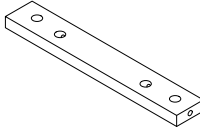
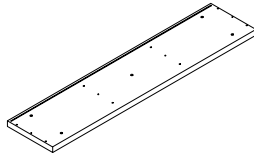

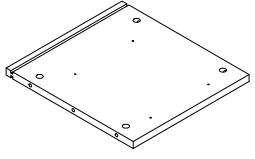
1. Carefully read these instructions and keep them for future reference.
2. Check the parts list and confirm everything's there before starting assembly.
3. When assembling, put all parts on a soft, smooth surface like a carpet to avoid scratches.
4. Don't fully tighten screws until all parts are confirmed in place to avoid misalignment.

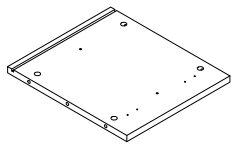
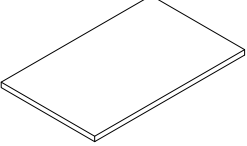
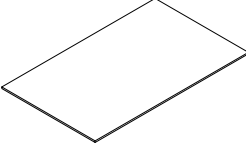
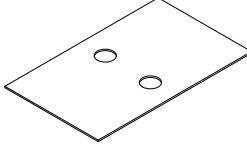
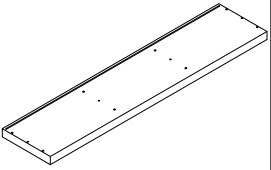


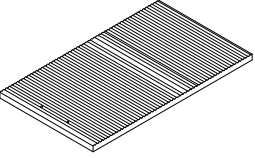
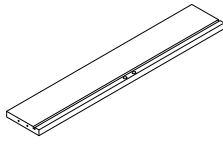
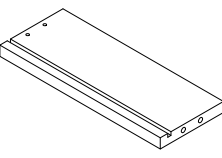
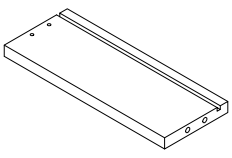
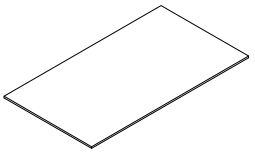
⚠ Caution

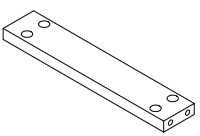
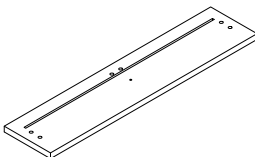
Make sure all parts are included. Most board parts are labeled or stamped on the raw edge. Contact us for a free replacement if you encounter any damaged or missing parts.

Parts List

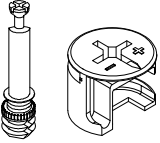
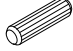
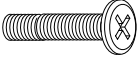

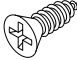

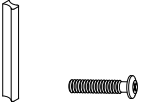




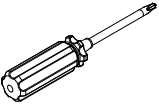



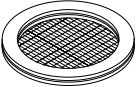
1  2 pcs	2  4 pcs	3  1 pc	4  5 pcs	5  2 pcs
---	--	---	--	--

6  2 pcs	7  2 pcs	8  1 pc	9  2 pcs	10  1 pc
--	--	---	---	--

11  2 pcs	12  2 pcs	13  2 pcs	14  2 pcs	15  2 pcs
---	---	---	--	---

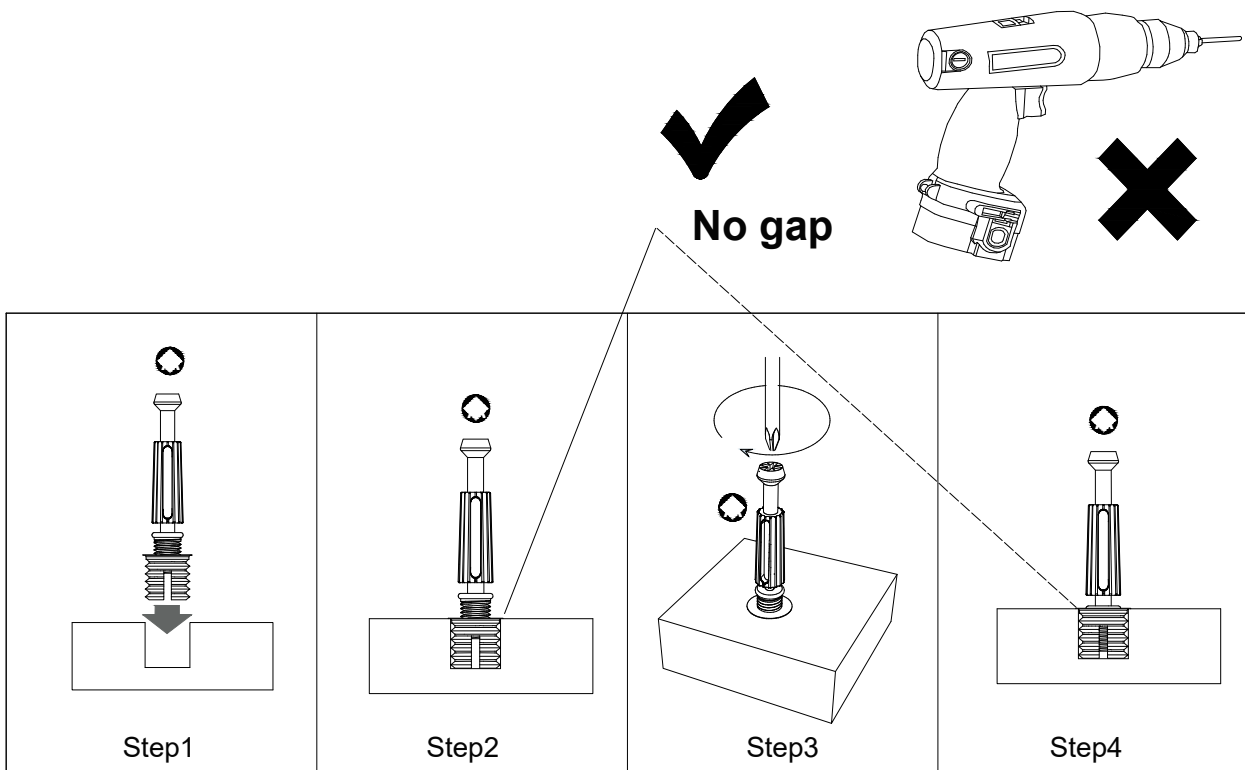
16  2 pcs	17  2 pcs			
---	---	--	--	--

Hardware List

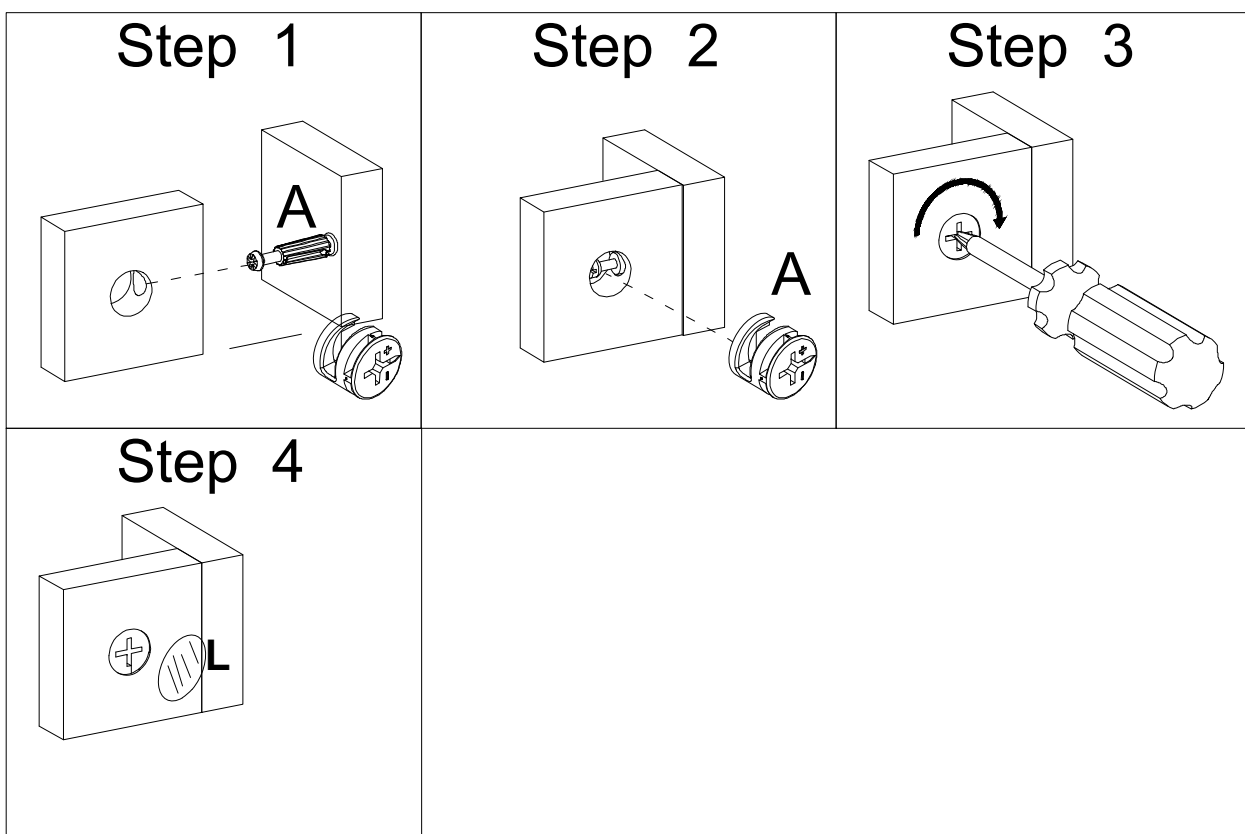
A	B	C	D	E	F
 <p>M6X35mm</p>	 <p>Ø8x30mm</p>	 <p>Ø8x35mm</p>		 <p>Ø3.5*14mm</p>	 <p>Ø3.5*35mm</p>
60 pcs	8 pcs	5 pcs	8 pcs	58pcs	8 pcs
G	H	I	J	K	L
 <p>Ø4x22mm(4pcs)</p>	 <p>Ø4x25mm Spare hardware</p>		 <p>Ø4x22mm</p>	 <p>14X12X10mm</p>	 <p>Screwdriver</p>
2 pcs	4 pcs	2 pcs	2 pcs	12 pcs	1 pc
M	N	O	P		
					
48 pcs	4 pcs	2 sets	4 pcs		

Installation of Cams and Pins

Read each step carefully before starting. Each step of instruction should be performed in the correct order. If these steps are not followed in sequence, assembly difficulties may occur.



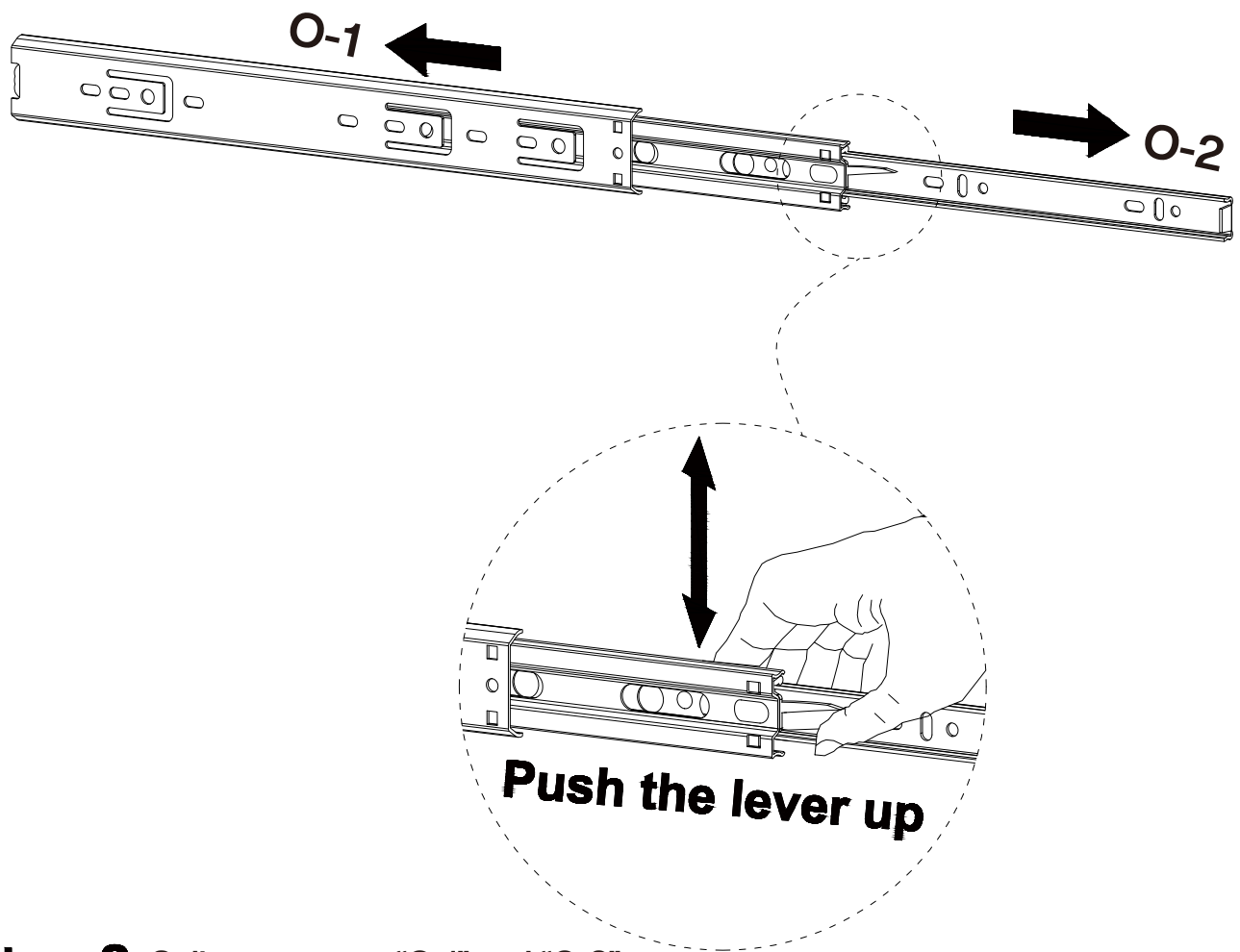
Screw the pin into the hole. Set the cams correctly by aligning the head of the cams with the lock pins. Lock the cam by turning the cam head with a screwdriver until it is tightened. Please do not use an electric screwdriver to assemble the unit.



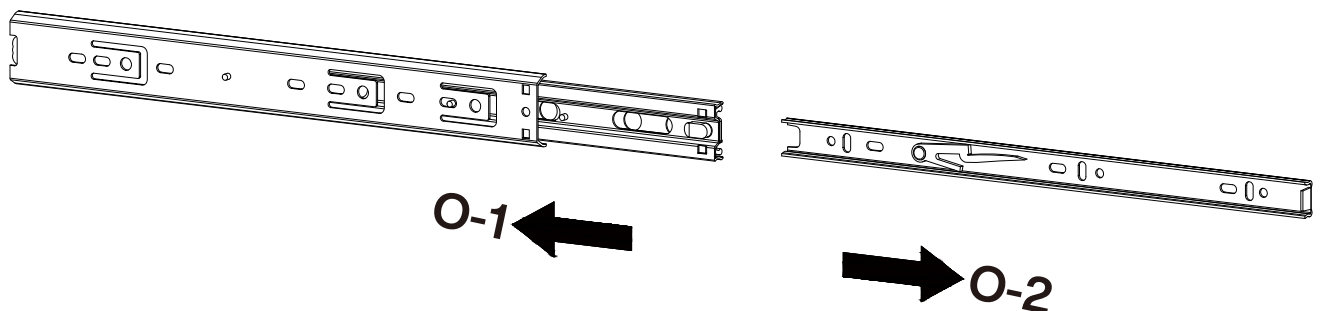
Please split component "O" into "O-1" and "O-2" before assembling the slide and then proceed to the next step of assembly

Step 1


Pull apart component "O" to each side, and then gently push up the lever of component "O-2"

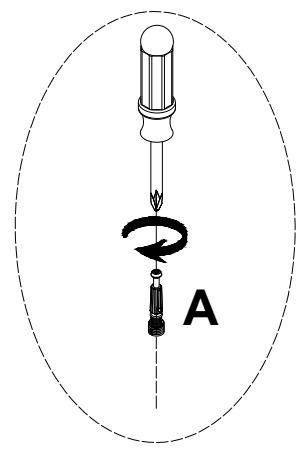
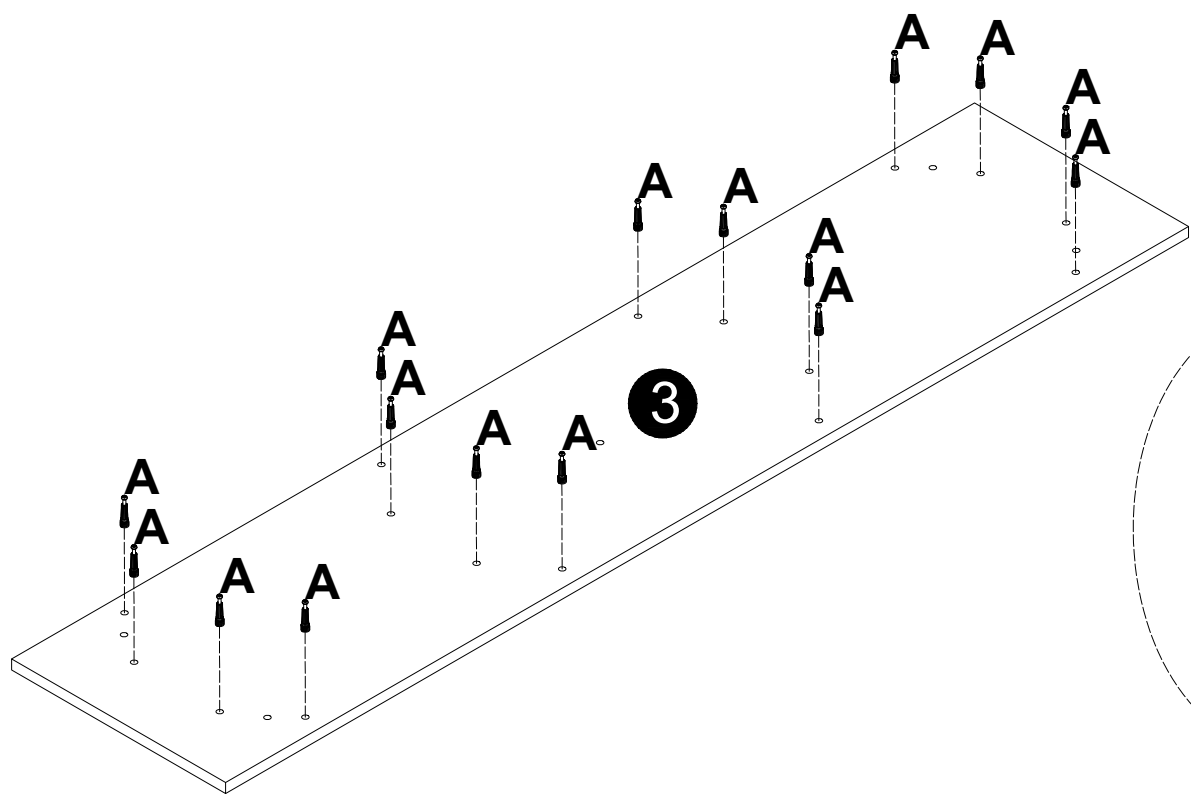


Step 2 Split component "O-1" and "O-2"




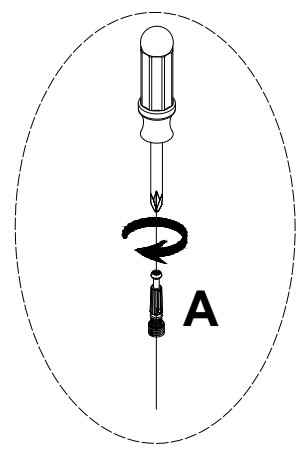
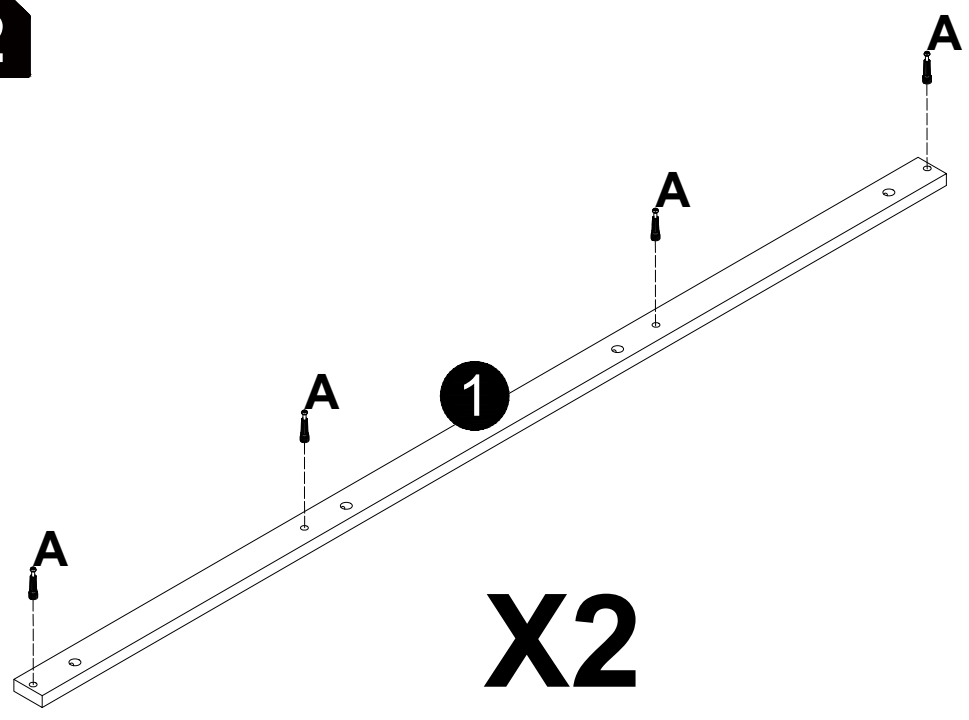
1

A

M6x35mm
16 pcs




2

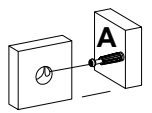
A

M6x35mm
8 pcs



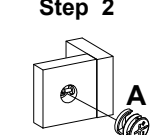
3

A

Ø15x12mm
8 pcs

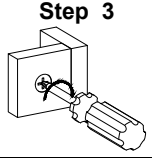
Step 1



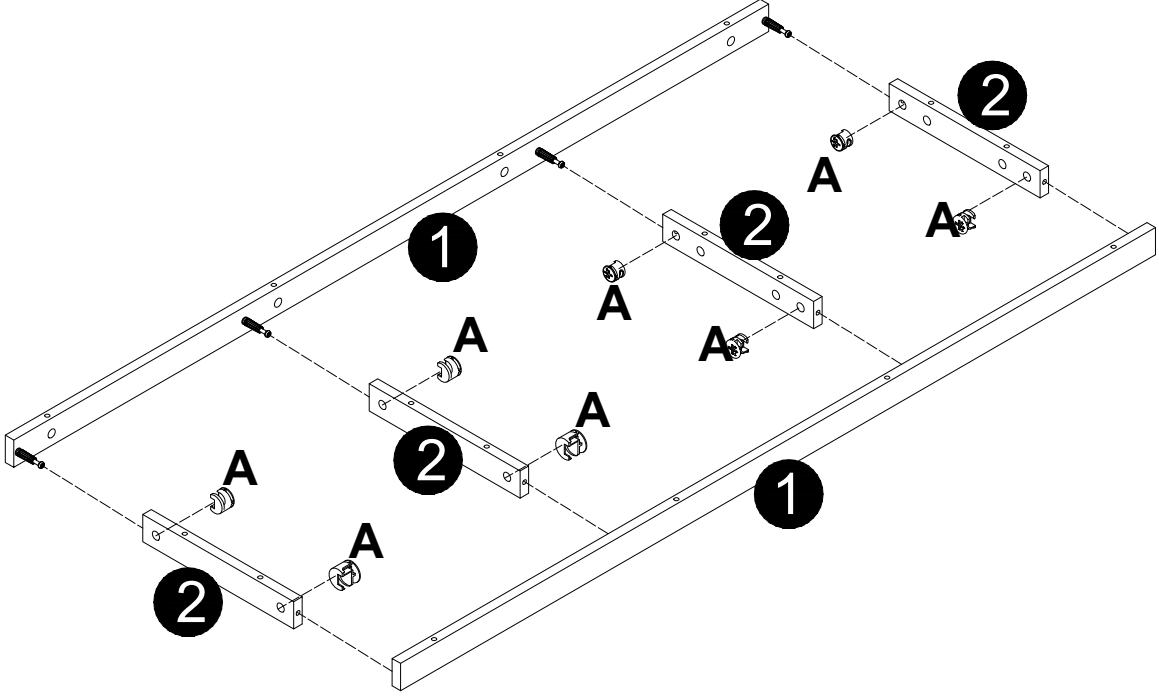
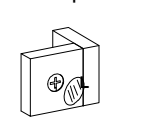
Step 2




Step 3



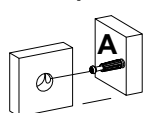
Step 4



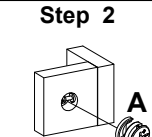
4

A

Ø15x12mm
16 pcs

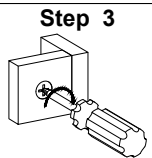
Step 1



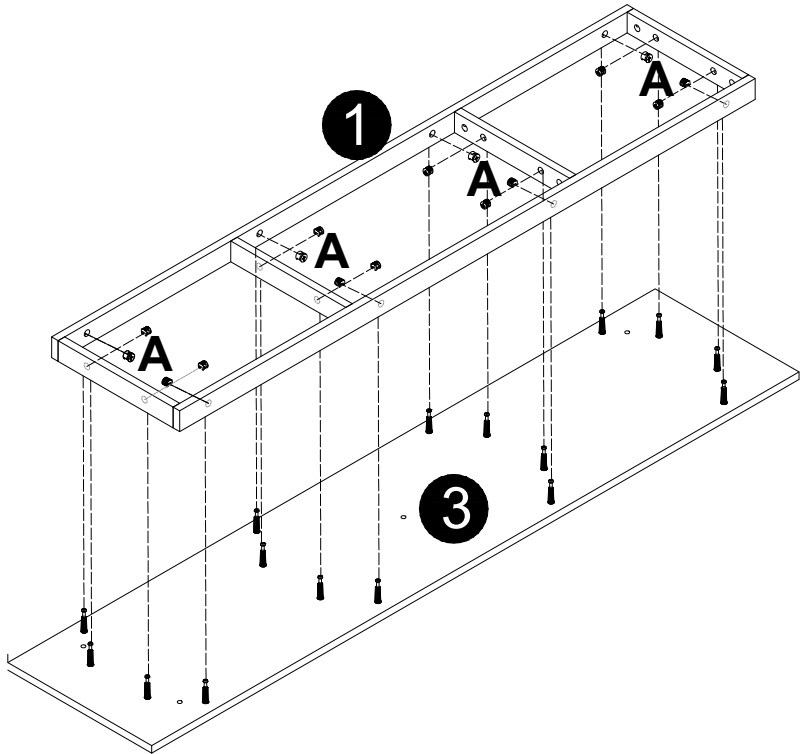

Step 2




Step 3

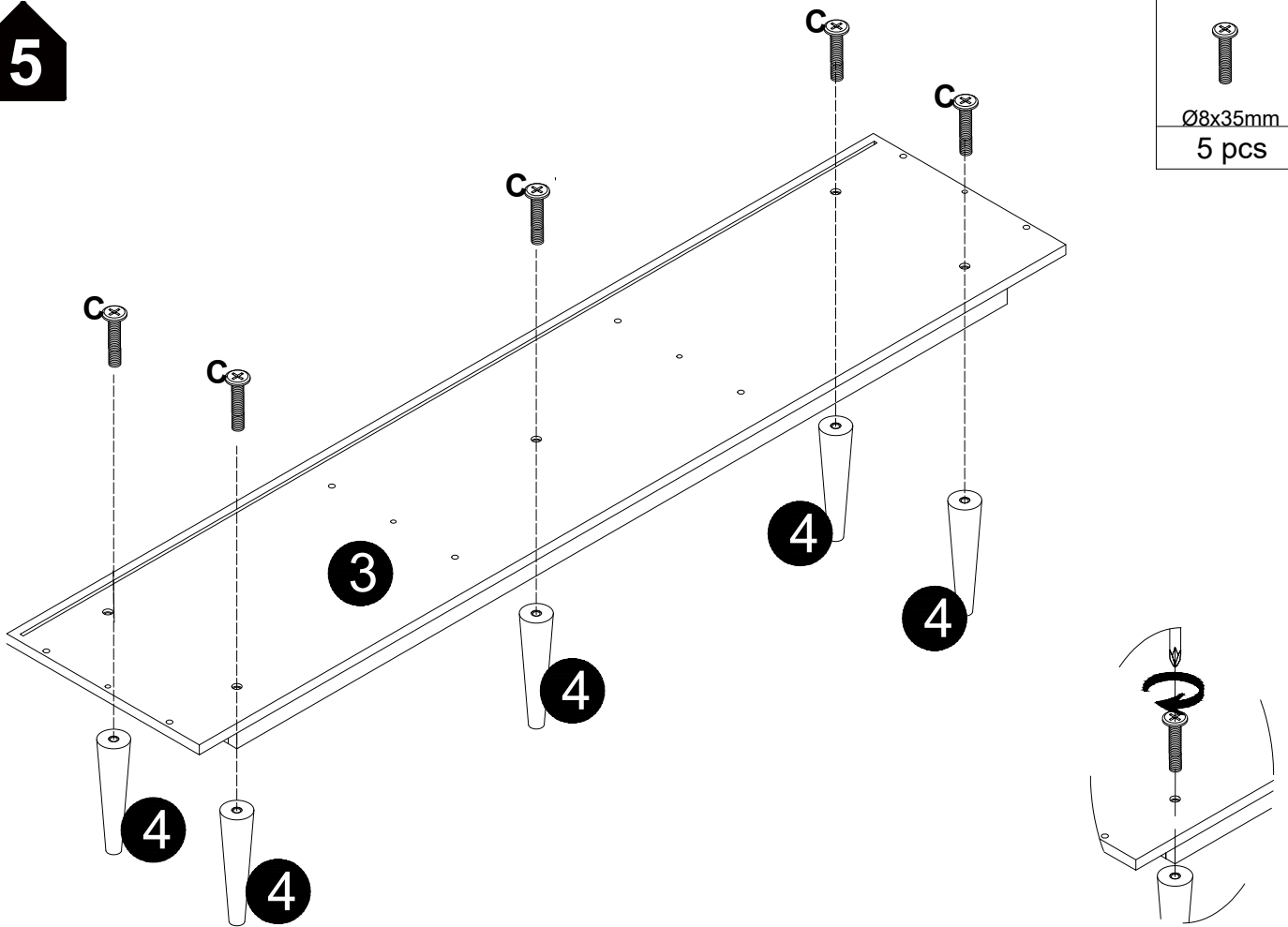


Step 4


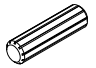


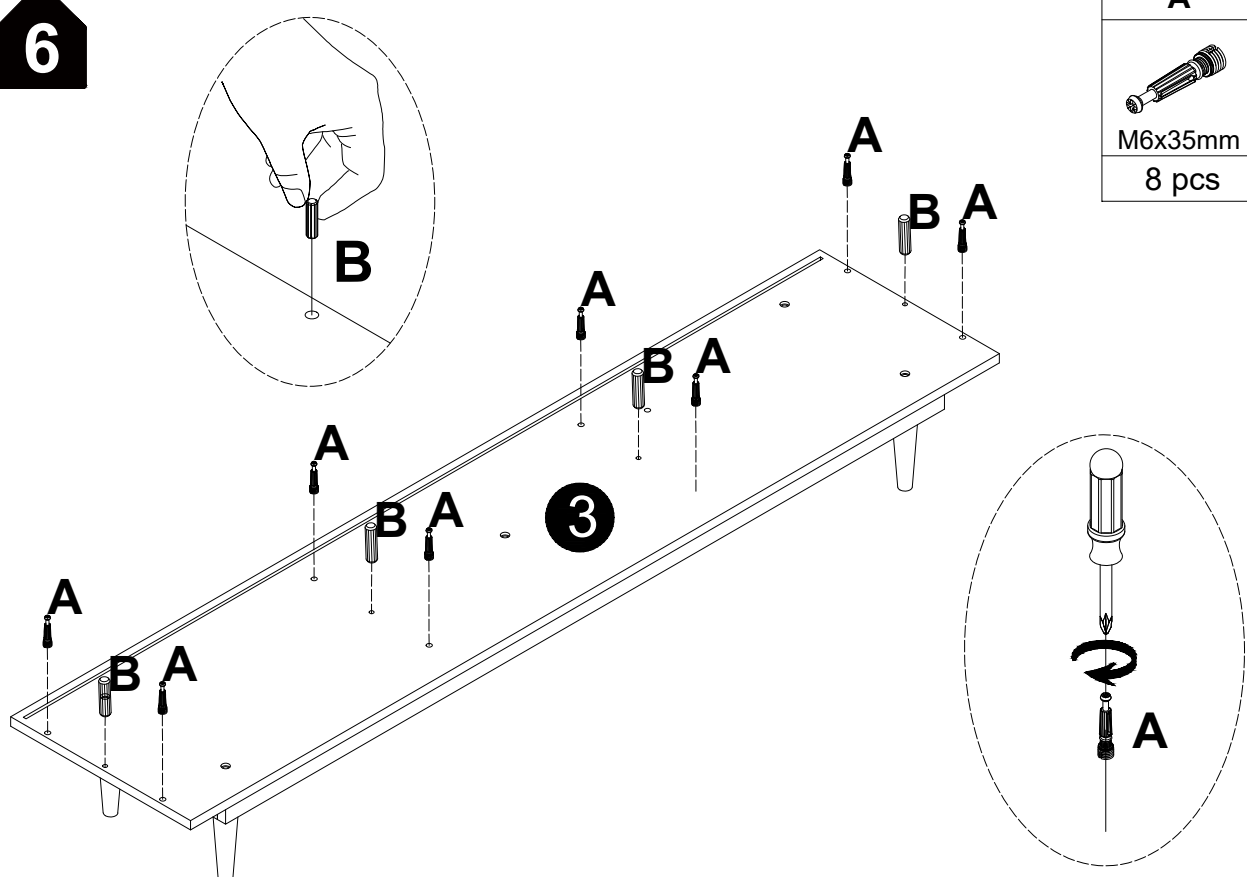
5

C

Ø8x35mm
5 pcs

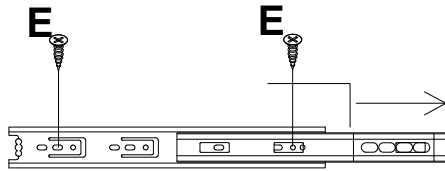




6

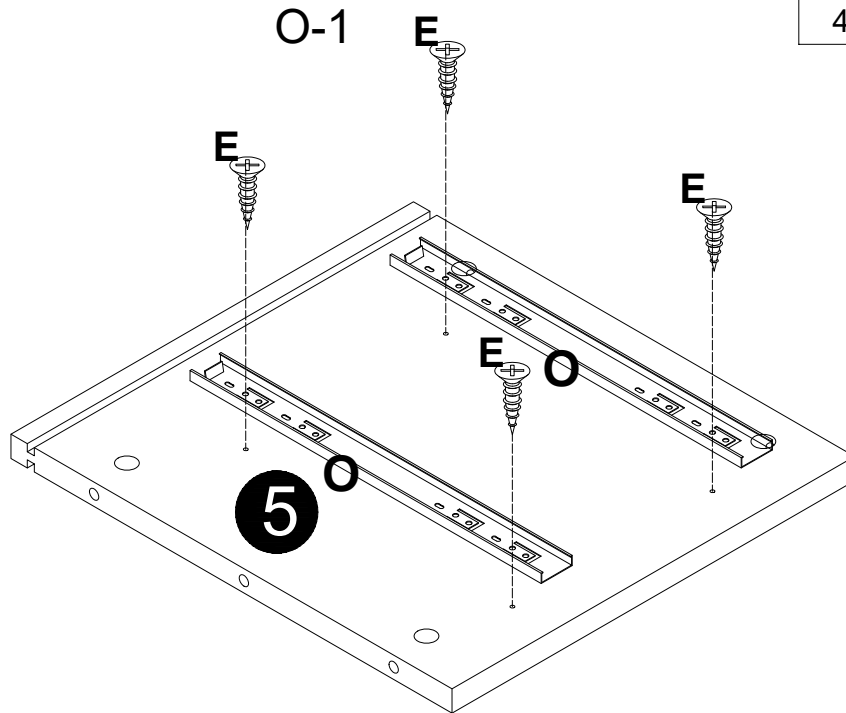
A	B
	
M6x35mm	Ø8x30mm
8 pcs	4 pcs



7

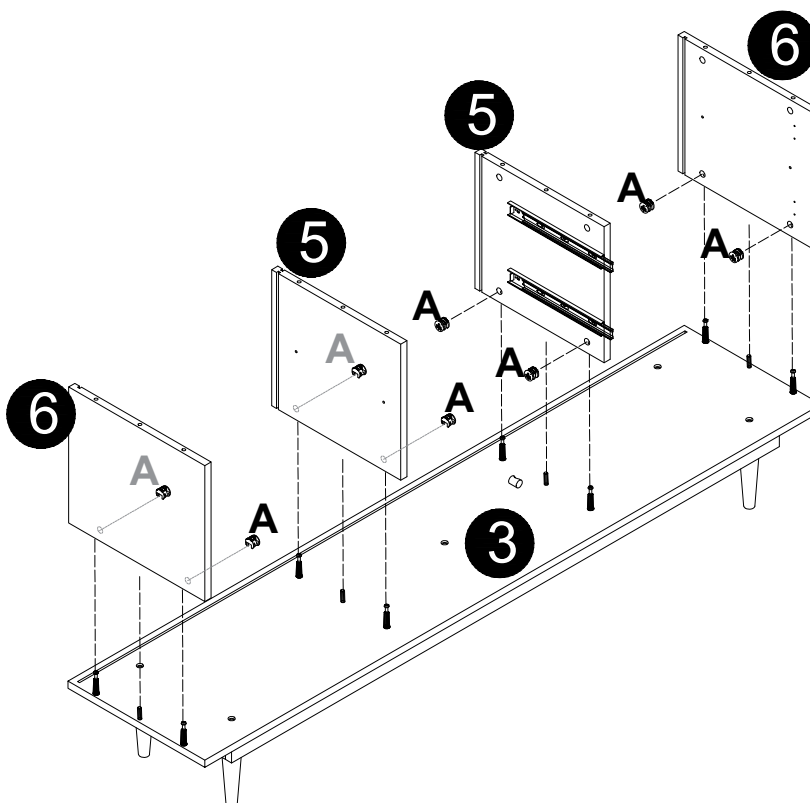
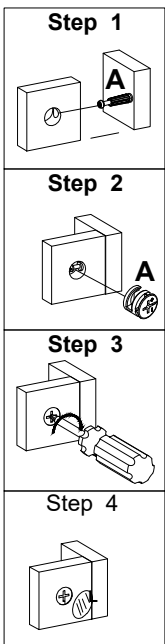



O	E
 300mm	 Ø3.5x14mm
4 pcs	8 pcs



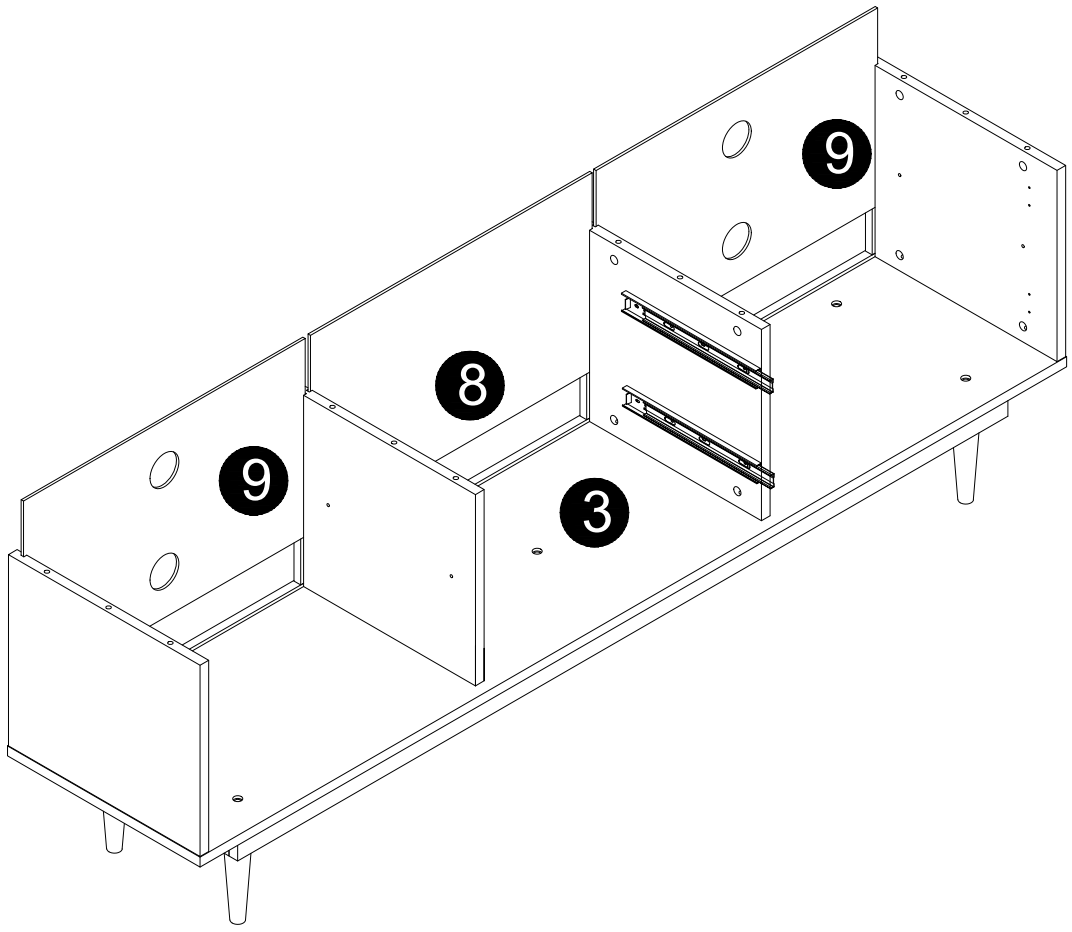
X2

8

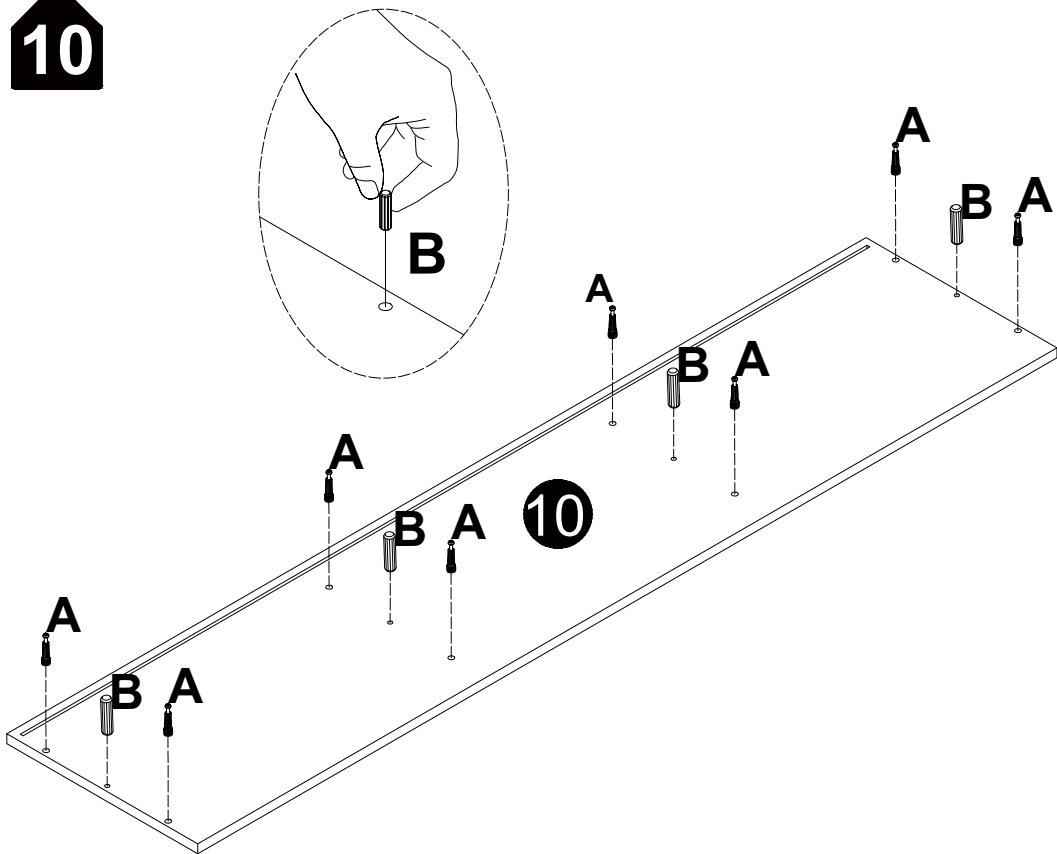



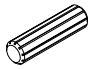
A
 Ø15x12mm
8 pcs

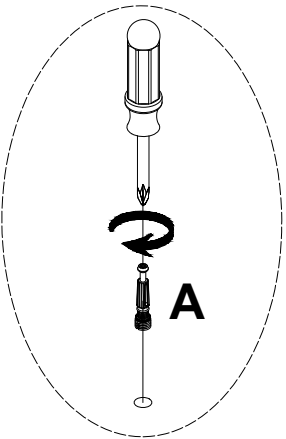
9



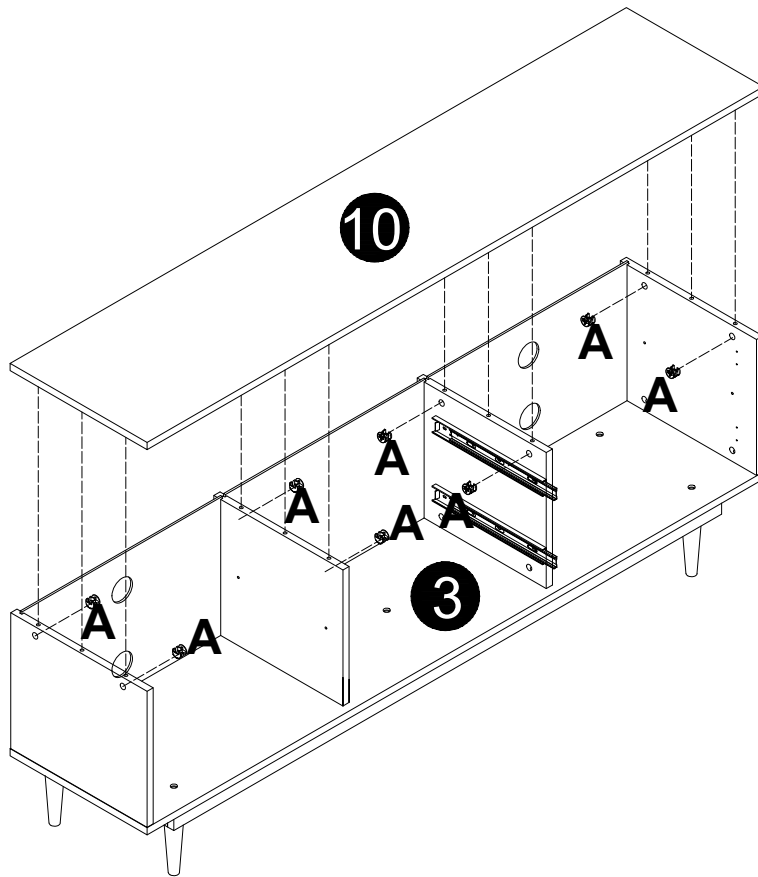
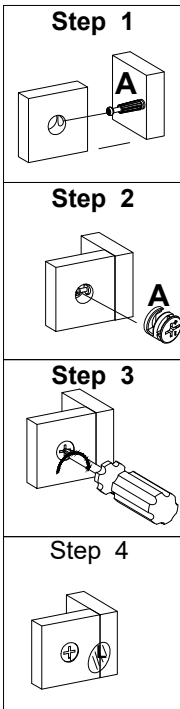
10




A	B
	
M6x35mm	Ø8x30mm
8 pcs	4 pcs

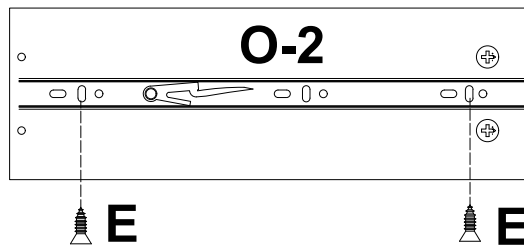




11

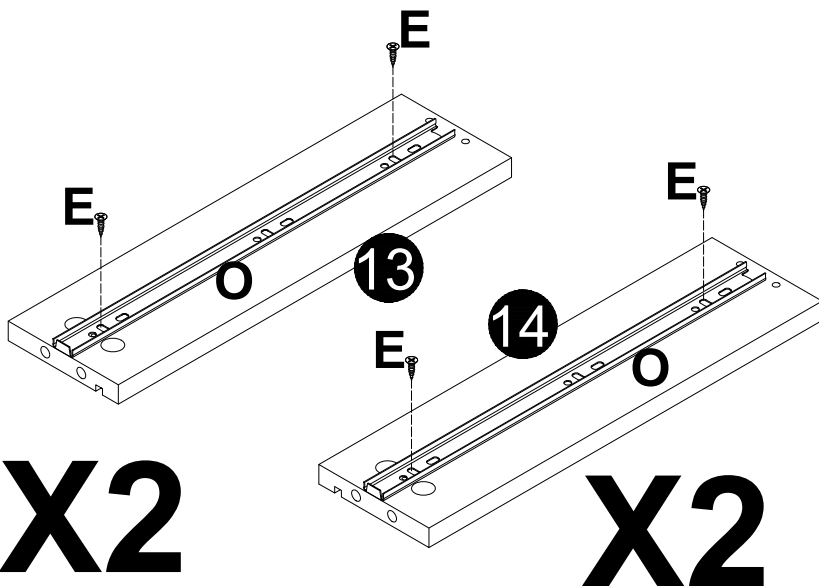


A

Ø15x12mm
8 pcs

12



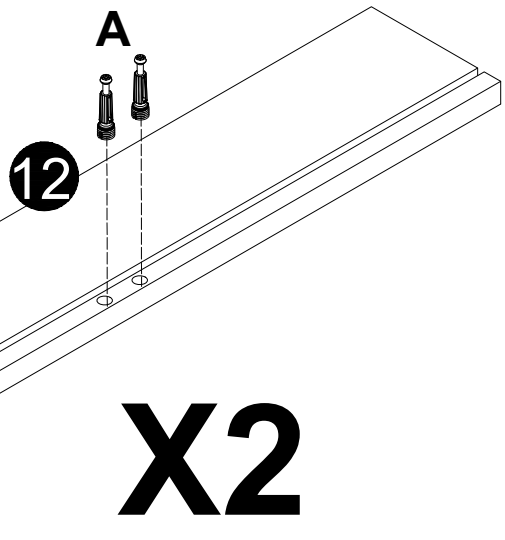
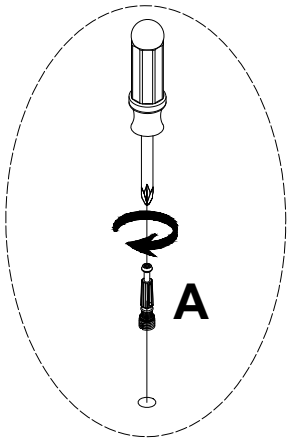
O	E
	
4 pcs	Ø3.5x14mm
4 pcs	8 pcs




X2

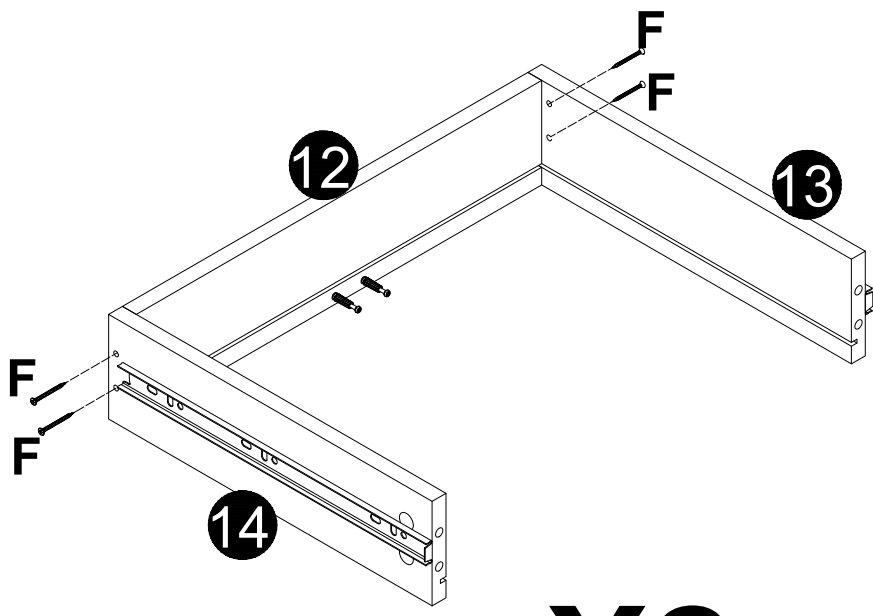
X2


13




A

M6x35mm
4 pcs

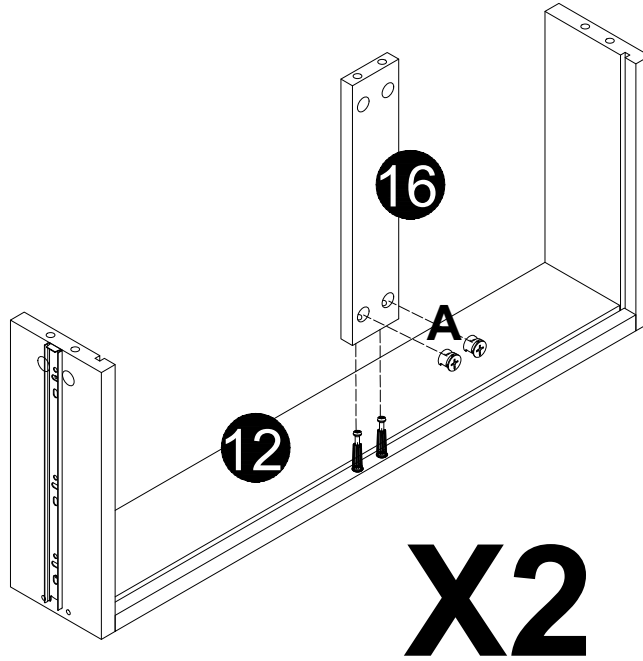
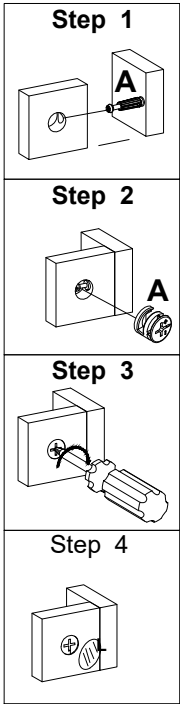
14



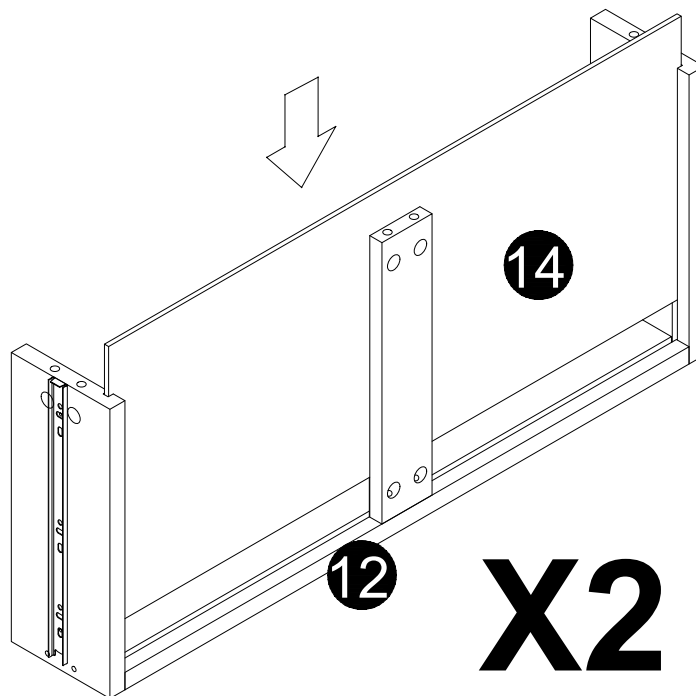
F

Ø3.5x35mm
8 pcs

15

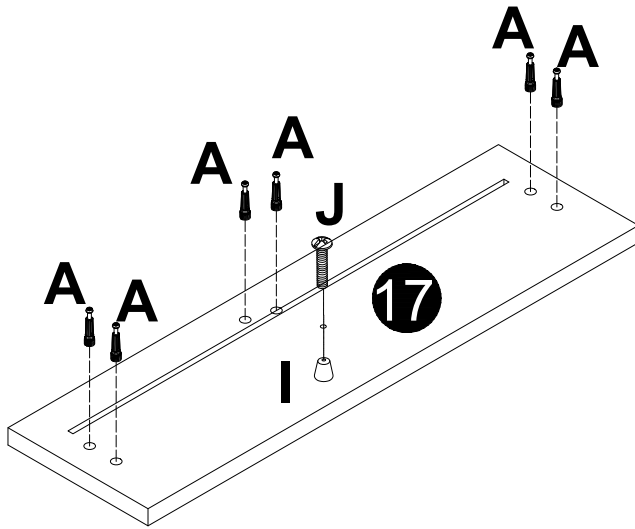
A

Ø15x12mm
4 pcs



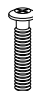


16



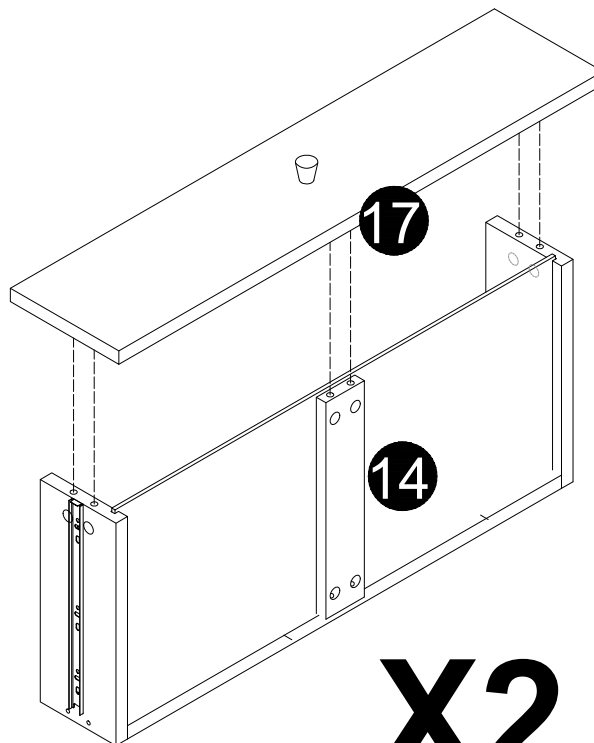
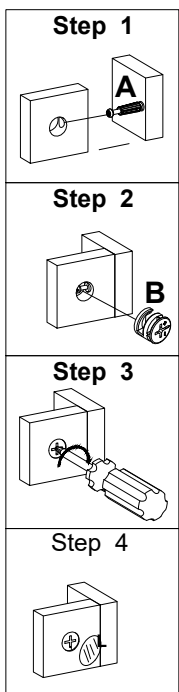
17




A	I
 M6x35mm 12 pcs	 2 pcs
J	
 M4x22mm 2 pcs	

X2


18

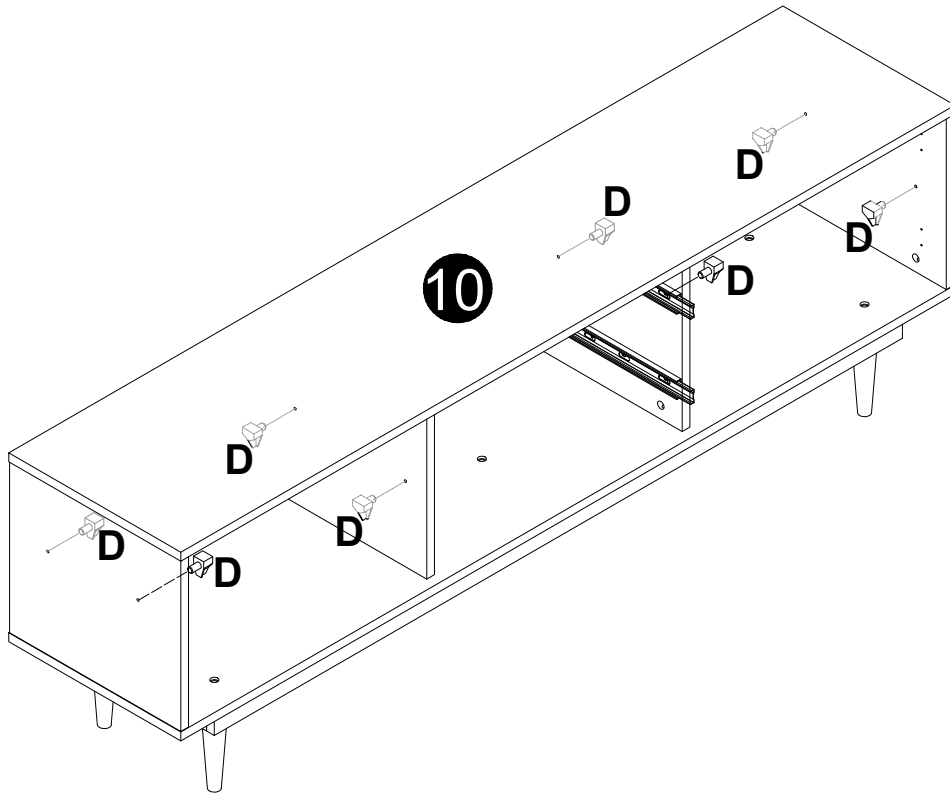


A
 Ø15x12mm 12 pcs

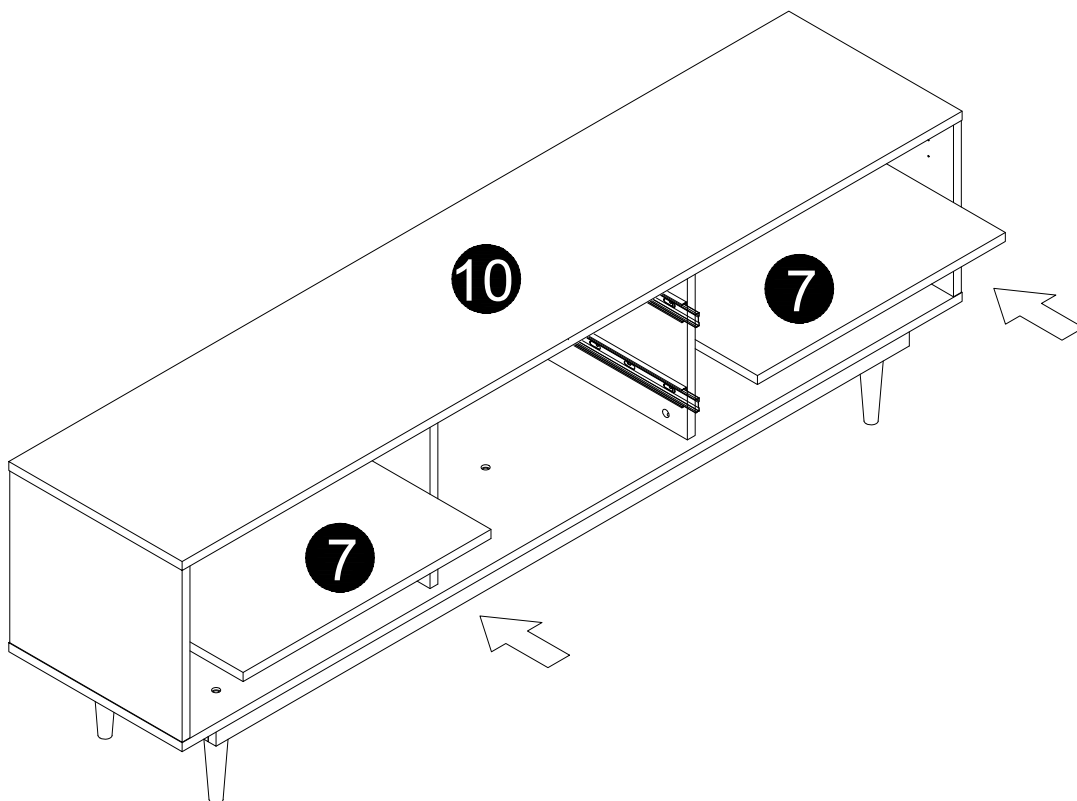
X2

19

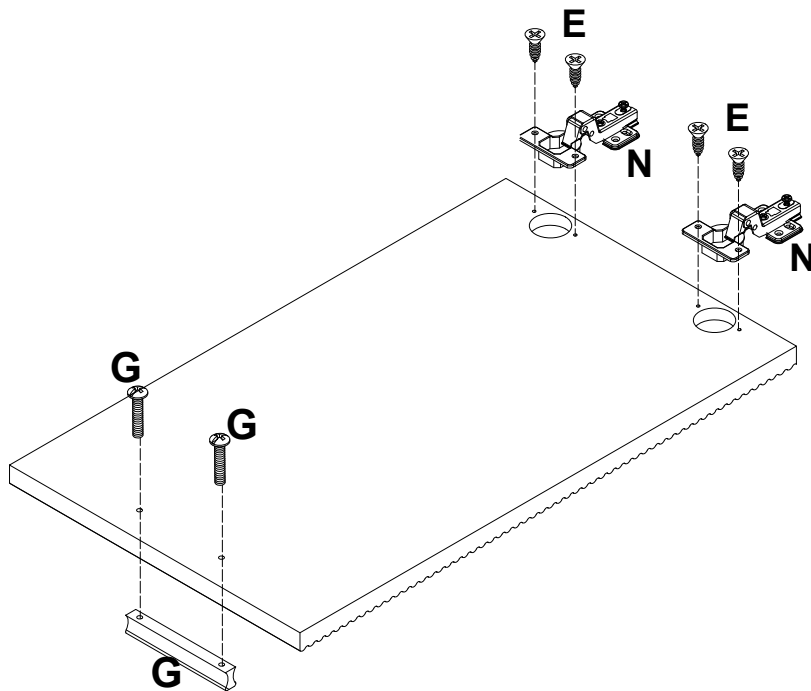
D

8 pcs

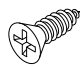
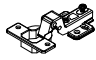

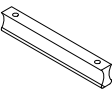


20



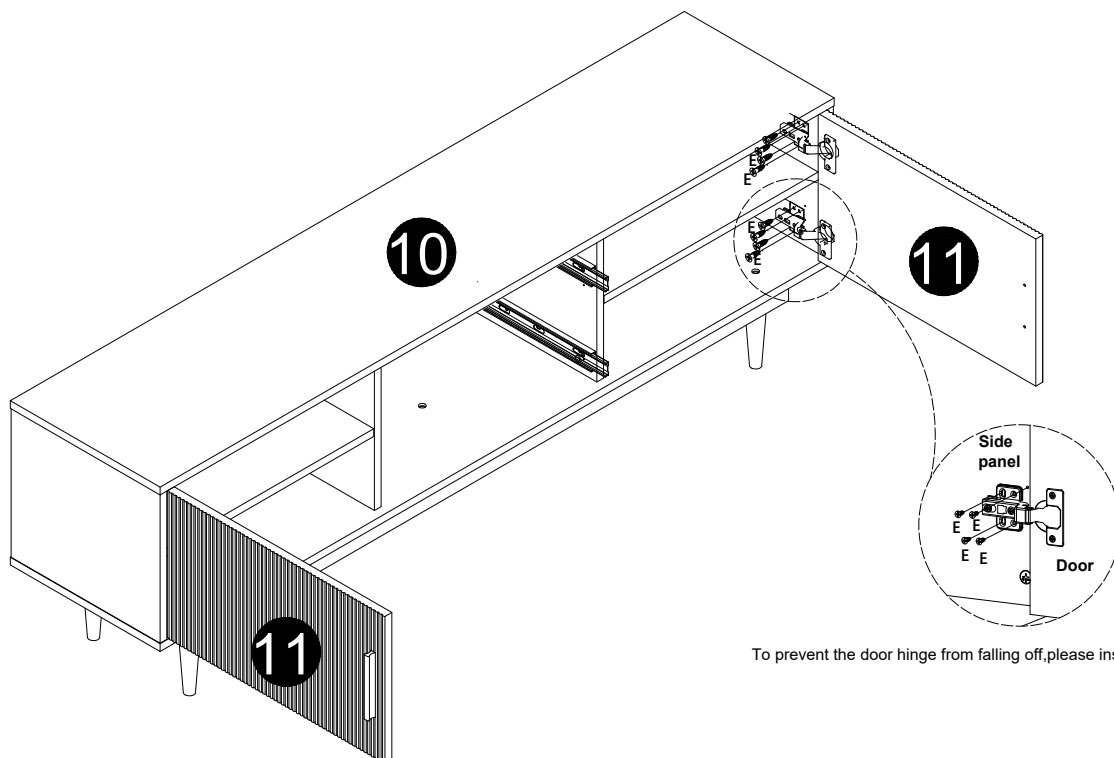
21

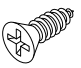


E	N
 M3.5x14mm	
8 pcs	4 pcs
G	G
 M4x22mm	
4 pcs	2 pcs

X2

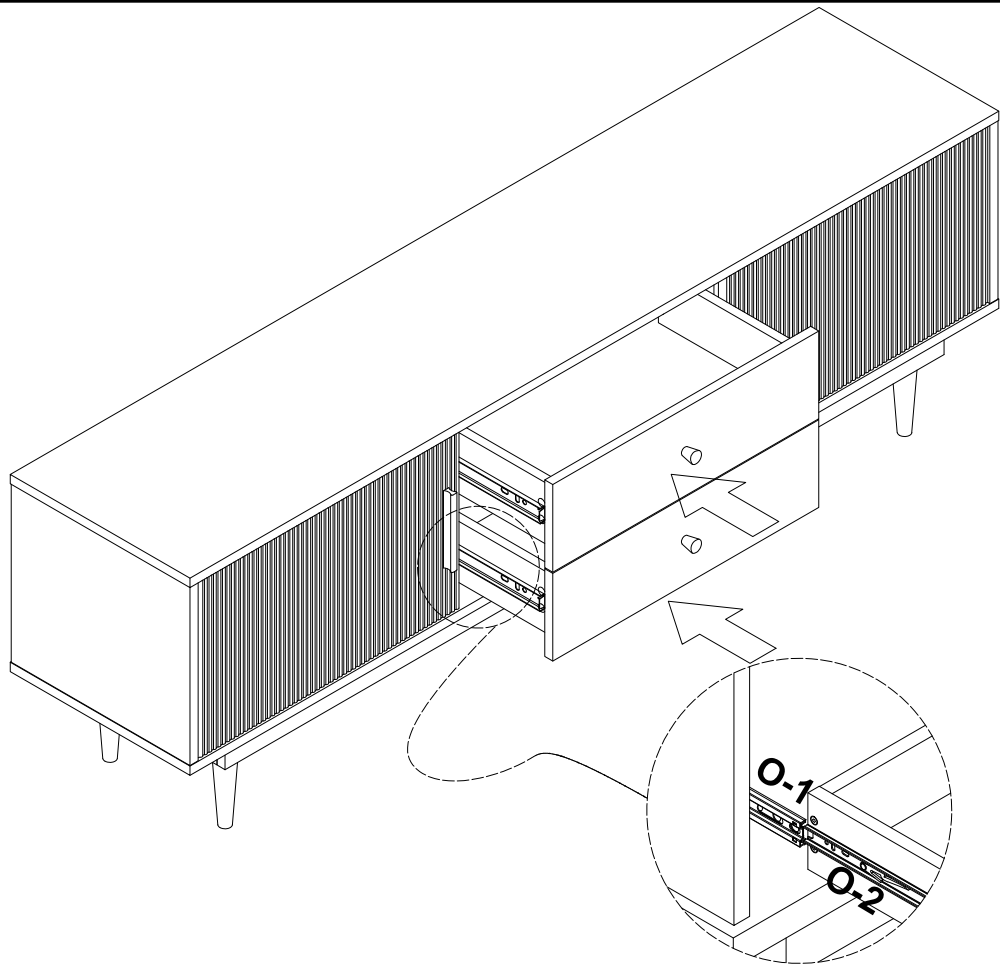
22



E
 M3.5x14mm
16 pcs




To prevent the door hinge from falling off, please install 4 screws

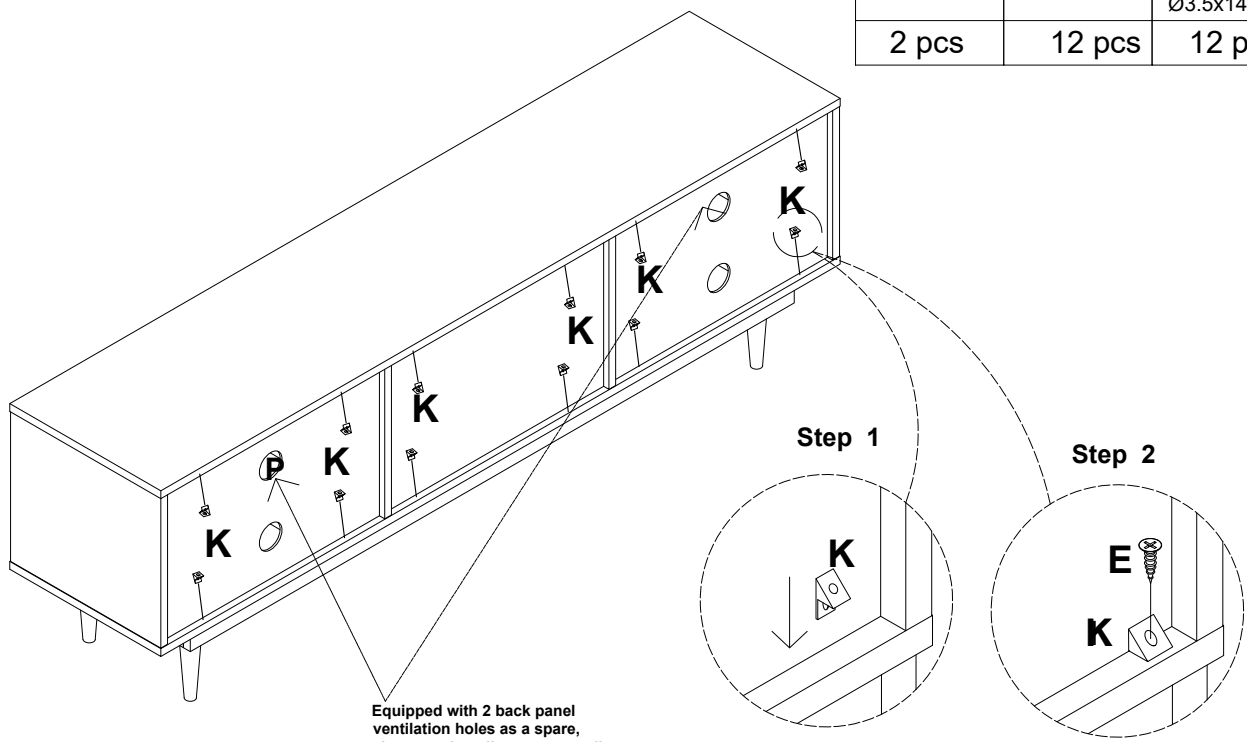
23



Align the "O-2" with the "O-1" guideway and gently push it in to complete the assembly

24

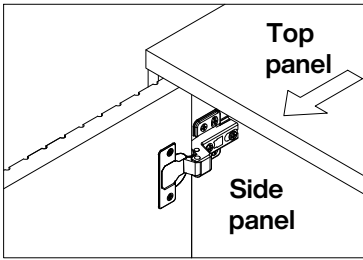
P	K	E
		
		Ø3.5x14mm
2 pcs	12 pcs	12 pcs



Equipped with 2 back panel ventilation holes as a spare, choose to install or not according to your needs.

Step 1

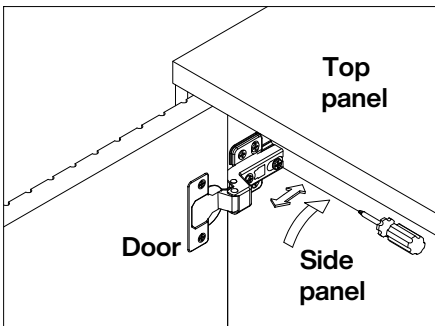
Open the door.



TO ADJUST YOUR DOORS TO MAKE THE GAPS MORE EVEN (OPTIONAL).

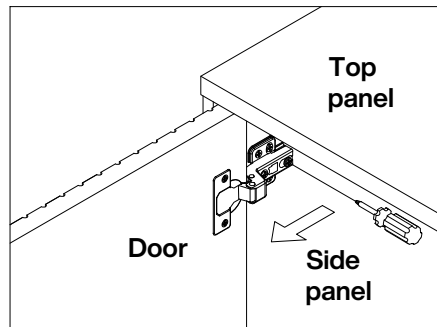
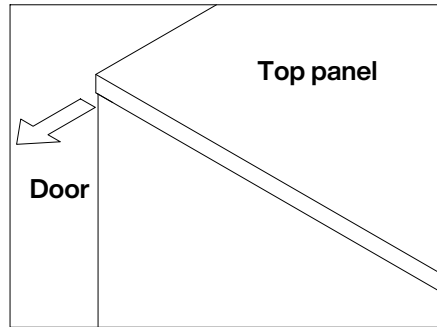
Step 2

Adjust the door panel to be flush with side panel and top panel edge.



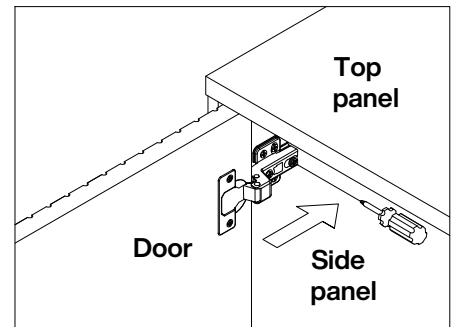
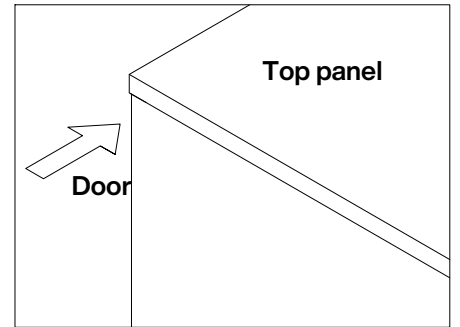
Loosen the screw indicated a little, adjust the hinge to right position (see step 2a & 2b), then tighten the screw.

Step 2a MOVE DOOR OUT



Pull the hinge forward a little.

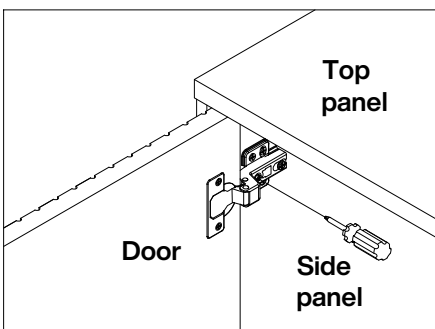
Step 2b MOVE DOOR INSIDE



Pull the hinge back a little.

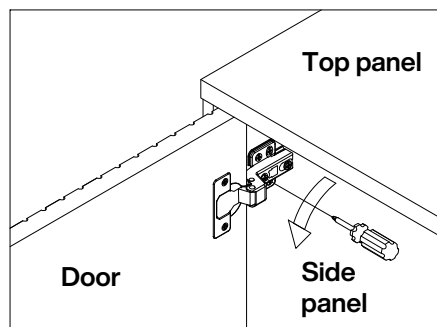
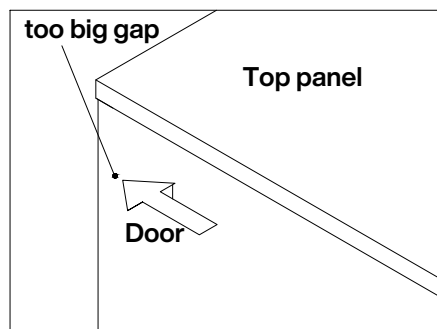
Step 3

Adjust the gap between door panel and side panel.



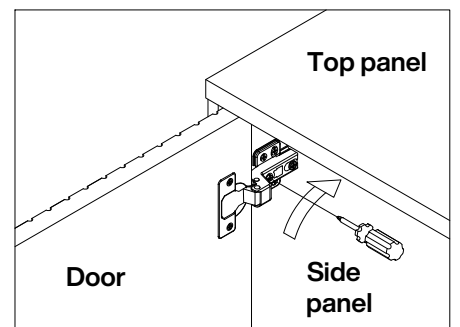
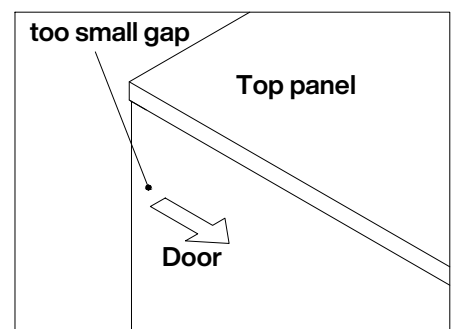
Loosen or tighten the screw indicated a little to adjust the gap between the door panels, adjust the hinge to right position (see step 3a & 3b).

Step 3a MOVE DOOR LEFT



Turn the screw clockwise a little as shown to make the gap small.

Step 3b MOVE DOOR RIGHT



Turn the screw counterclockwise a little as shown to make the gap big.

Thank you for your support!

