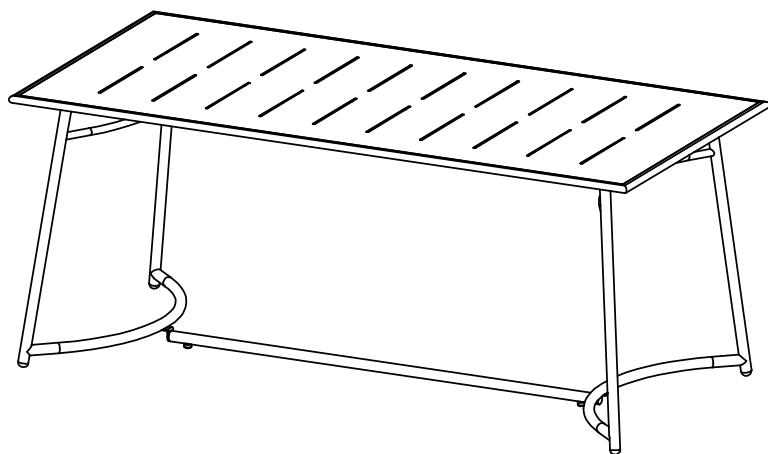


Instruction manual
180CM RECTANGULAR
DINING TABLE



CONTENTS

Safety and care advice	1
Components	2
Assembly instructions	4
Copyright	7

⚠ SAFETY AND CARE ADVICE ⚠

PLEASE READ THESE INSTRUCTIONS CAREFULLY AND KEEP FOR FUTURE REFERENCE

- **Warning:** Please lift with care.
- Check you have all the components and tools listed on pages 2 and 3.
- Remove all fittings from the plastic bags and separate them into their groups.
- Keep children and animals away from the work area, small parts could choke if swallowed.
- Make sure you have enough space to lay out the parts before starting.
- Do not stand or put weight on the product, this could cause damage.
- Assemble the item as close to its final position (in the same room) as possible.
- Assemble on a soft level surface to avoid damaging the unit or your floor (use opened out unit carton).



- We do not recommend the use of power drill/drivers **for inserting screws**, as this could damage the unit. Only use hand screwdrivers.
- Dispose of all packaging carefully and responsibly.

CARE AND MAINTENANCE

- Only clean using a damp cloth and mild detergent, do not use bleach or abrasive cleaners.
- From time to time check that there are no loose screws on this unit.
- This product should not be discarded with household waste. Take to your local authority waste disposal center.

Note *If required the next page can be cut out and used as reference throughout the assembly. Keep this page with these instructions for future reference.*

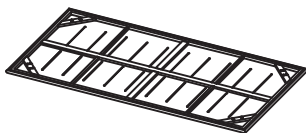
COMPONENTS

Ensure the following components are in the box before proceeding with assembly:

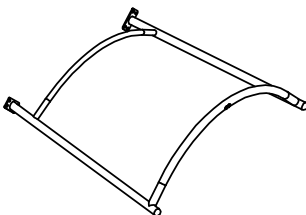


**2 PERSON
ASSEMBLY
RECOMMENDED**

1



2



3



PART LIST

1	Top	x1	2	Leg	x2
3	Support bar	x1			



COMPONENTS — FITTINGS

Please check you have all the fittings listed below:

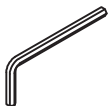
A x20



B x20






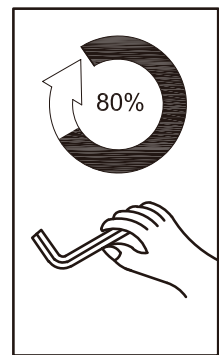
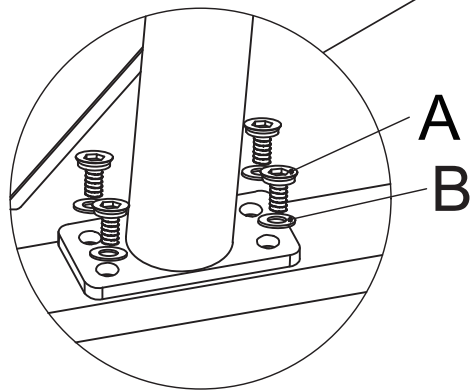
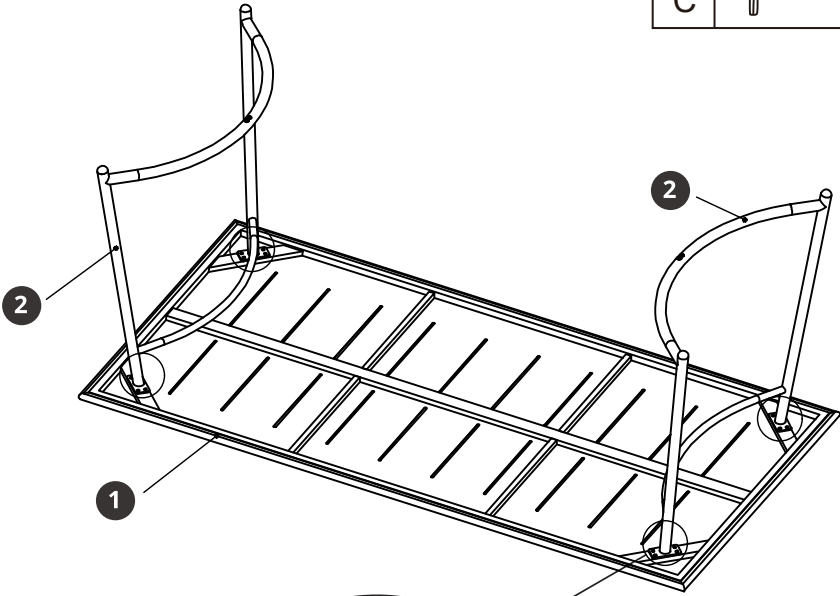
C x1



ASSEMBLY INSTRUCTIONS

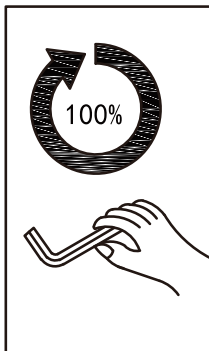
Step 1




A		16
B		16
C		1

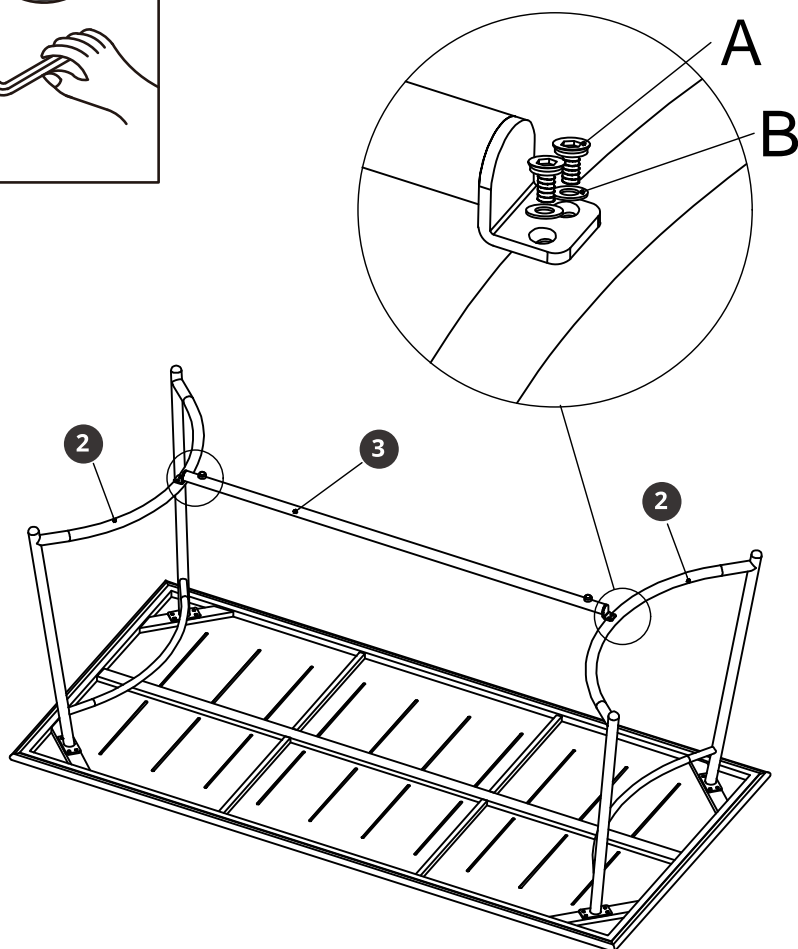


ASSEMBLY INSTRUCTIONS

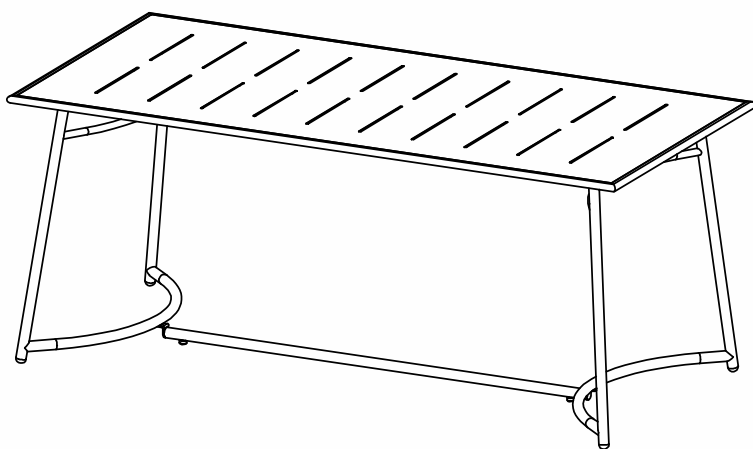
Step 2



A		4
B		4
C		1



ASSEMBLY INSTRUCTIONS



Congratulations! Now you have finished assembling the product.