

# ASSEMBLY INSTRUCTION

Thank you for purchasing this quality product. Be sure to check all packing material carefully for small parts which may have come loose inside the carton during shipment. Separate, identify and count all parts and hardware. Compare with the parts list to be sure all parts are present.

**IMPORTANT : PLEASE READ INSTRUCTION BEFORE STARTING THE ASSEMBLY.**

**"DO NOT TIGHTEN SCREWS UNTIL COMPLETELY ASSEMBLED"**

**"DO NOT OVERTIGHT ANY HARDWARE"**

**WARNING : SMALL PARTS AND HARDWARE NOT FOR CHILDREN UNDER 3 YEARS. ADULT ASSEMBLY REQUIRED.**

## **PLEASE TAKE NOTE**

**\*\*This product requires assembly by two adults.**

**\*\*Some assembly steps require additional support from a second person.**

## TABLE OF CONTENTS

HARDWARES LIST

PAGE 2

PARTS LIST

PAGE 3 - 4

PARTS' LOCATION

PAGE 5

ASSEMBLY STEPS

PAGE 6 - 17

ASSEMBLY COMPLETED

PAGE 18

ANTI-TIPPING INSTALLMENT  
INSTRUCTIONS

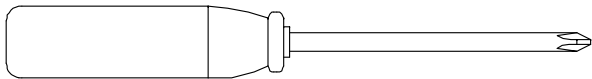
PAGE 19

PAY ATTENTION ITEMS

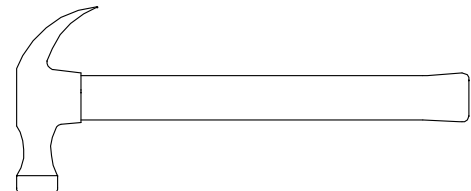
PAGE 20

## ASSEMBLY TOOLS REQUIRED

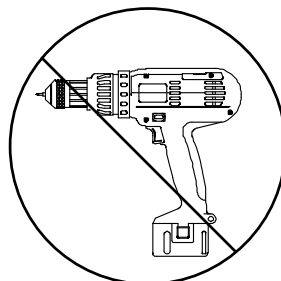
**1. Screwdriver (not provide)**



**2. Hammer (not provide)**

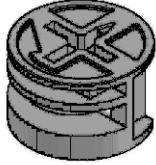
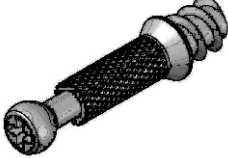

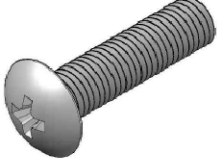

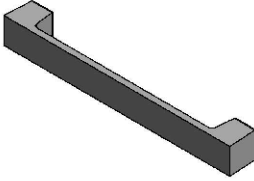
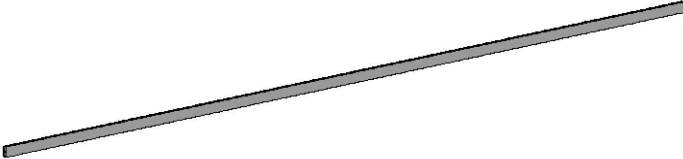
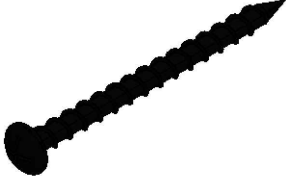
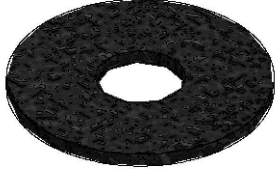


Skip the power trip this time.



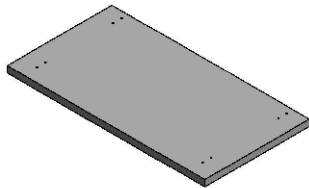
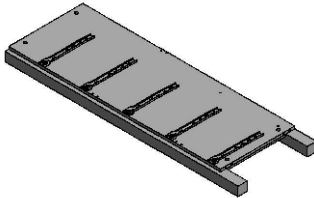
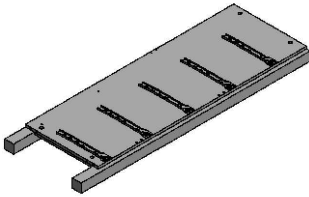
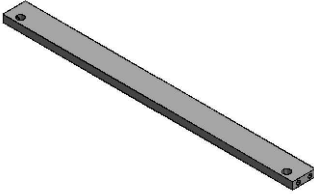
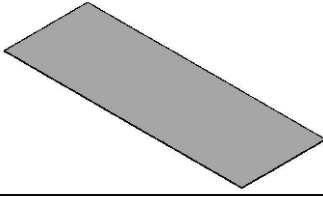
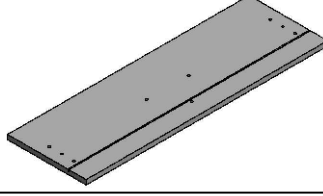
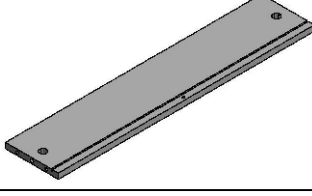
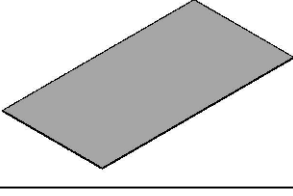
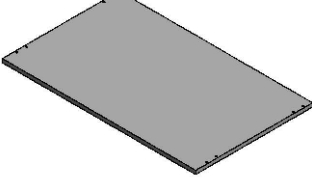
# ASSEMBLY INSTRUCTION

## HARDWARES LIST

ITEM	DESCRIPTION	DRAWING	QTY
A	MINIFIX CAM LOCK		48 PCS
B	MINIFIX CAM BOLT		48 PCS
C	WOOD DOWEL (M6 x 25MM)		54 PCS
D	TRUSS M-SCREW (16MM)		10 PCS
E	6/8" NAIL		18 PCS
F	HANDLE		5 PCS
G	PLASTIC STRIP (H SHAPE)		1 PC
H	PAN HEAD SCREW M4 x 50mm		1 PC
I	FLAT WASHER M6 x 19mm		1 PC

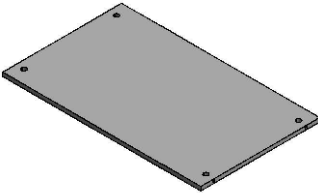
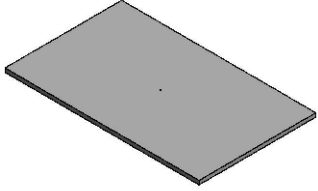
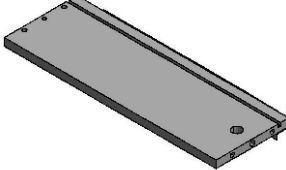
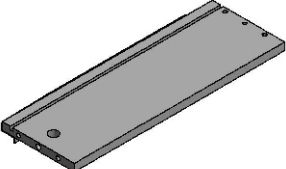
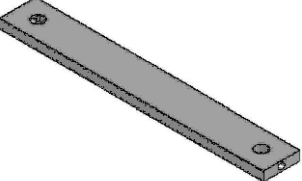
# ASSEMBLY INSTRUCTION

## PARTS LIST

ITEM	DESCRIPTION	DRAWING	QTY
C1	TOP PANEL		1 PC
C2	LEFT PANEL		1 PC
C3	RIGHT PANEL		1 PC
C4	SUPPORT RAIL		3 PCS
C5	BACK PANEL		2 PCS
C6	DRAWER HEAD		5 PCS
C7	DRAWER BACK PANEL		5 PCS
C8	DRAWER BOTTOM PANEL		5 PCS
C9	BOTTOM PANEL		1 PC

# ASSEMBLY INSTRUCTION

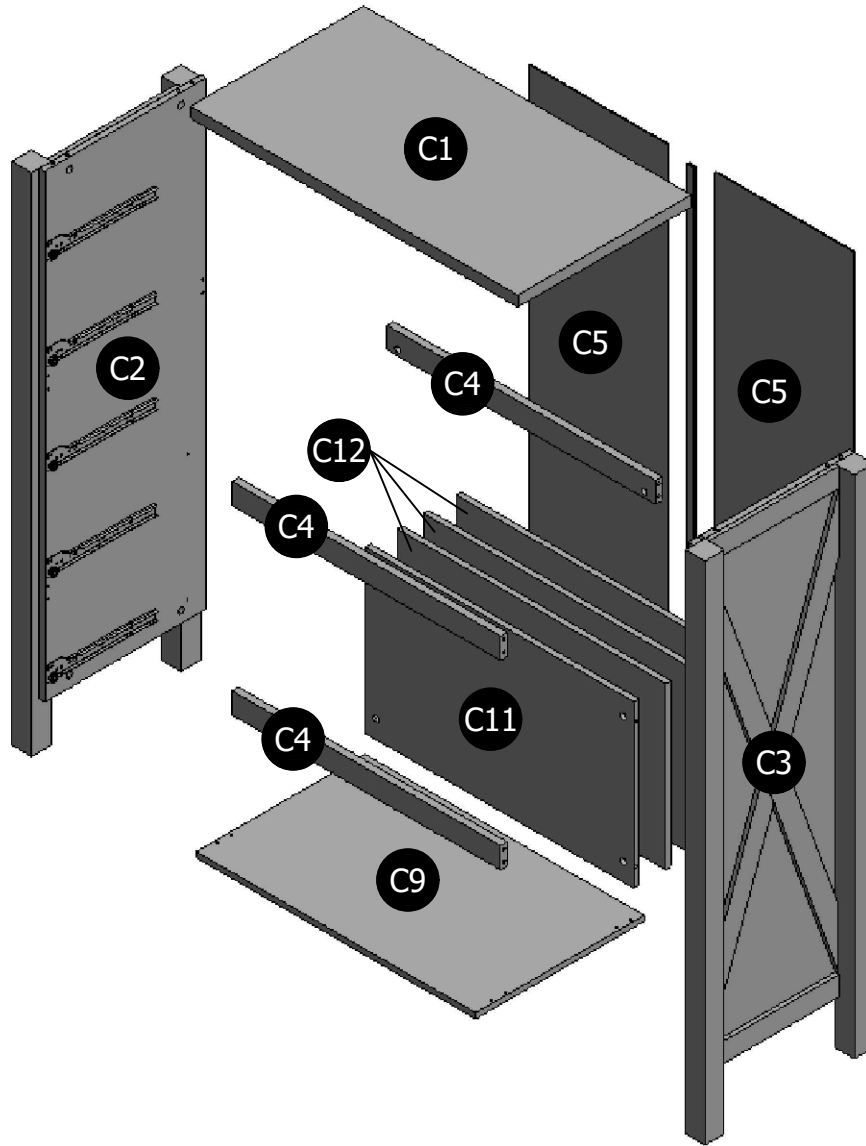
## PARTS LIST

ITEM	DESCRIPTION	DRAWING	QTY
C11	FRONT TIPPING PANEL		1 PC
C12	BACK TIPPING PANEL		3 PCS
19	DRAWER LEFT PANEL		5 PCS
20	DRAWER RIGHT PANEL		5 PCS
21	DRAWER BOTTOM SUPPORT RAIL		5 PCS

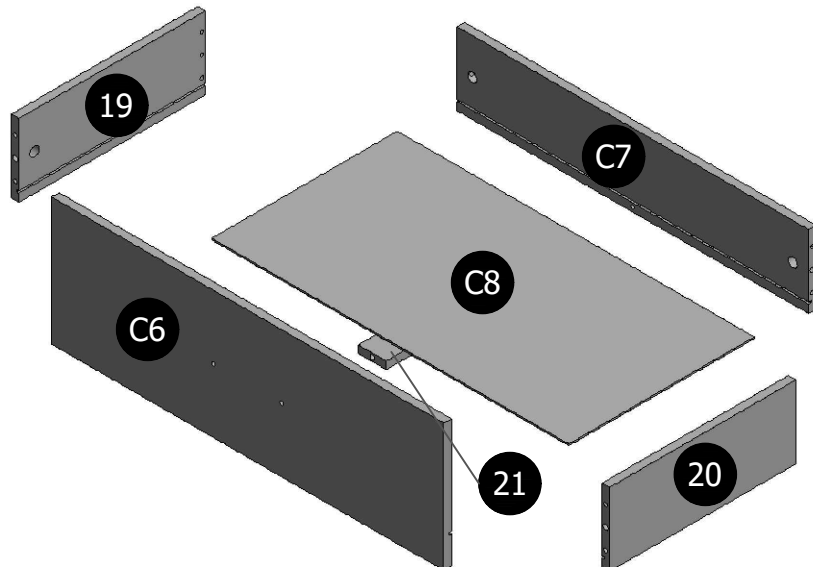
# ASSEMBLY INSTRUCTION

## PARTS ' LOCATION

NIGHTSTAND x 1 PC



DRAWER x 5 PCS

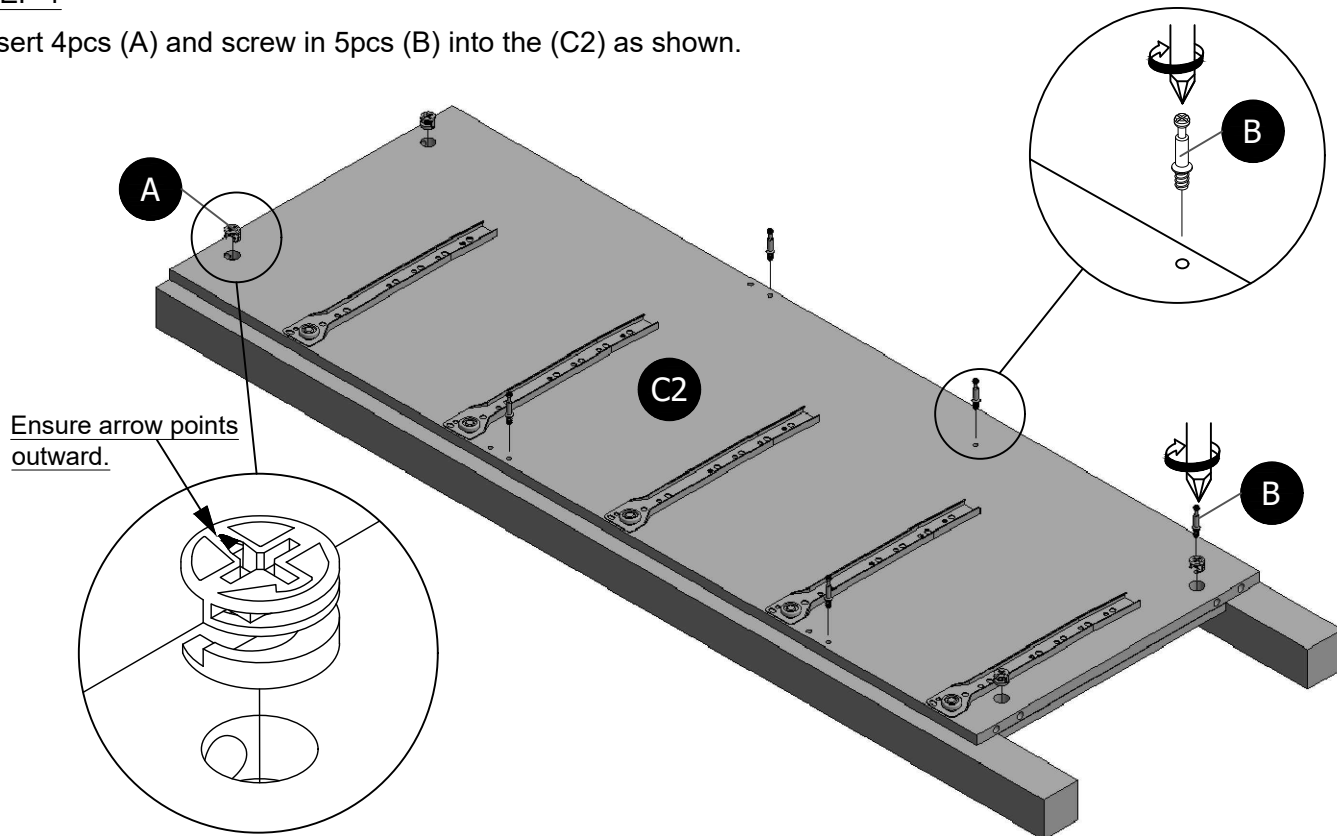


# ASSEMBLY INSTRUCTION

## ASSEMBLY STEPS

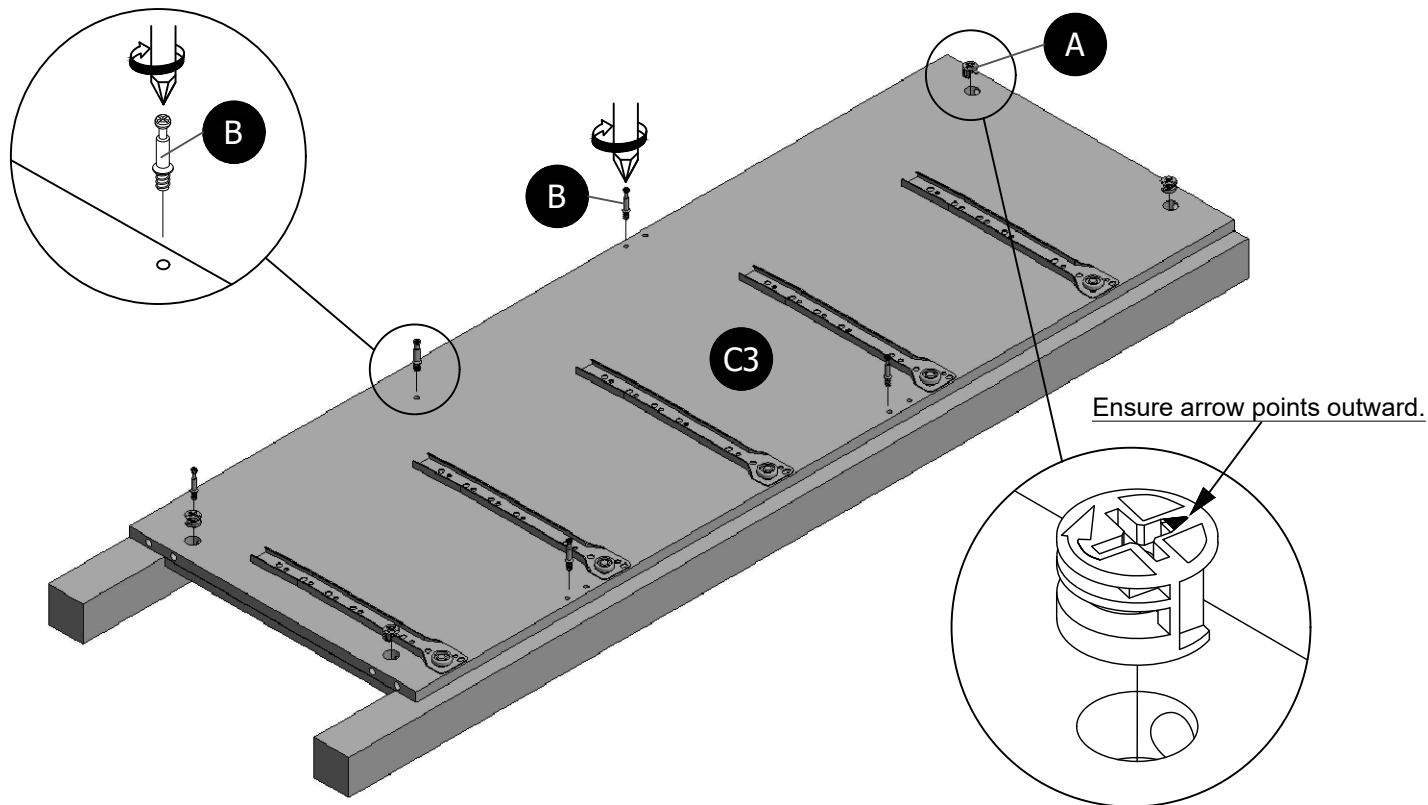
### STEP 1

Insert 4pcs (A) and screw in 5pcs (B) into the (C2) as shown.



### STEP 2

Insert 4pcs (A) and screw in 5pcs (B) into the (C3) as shown .

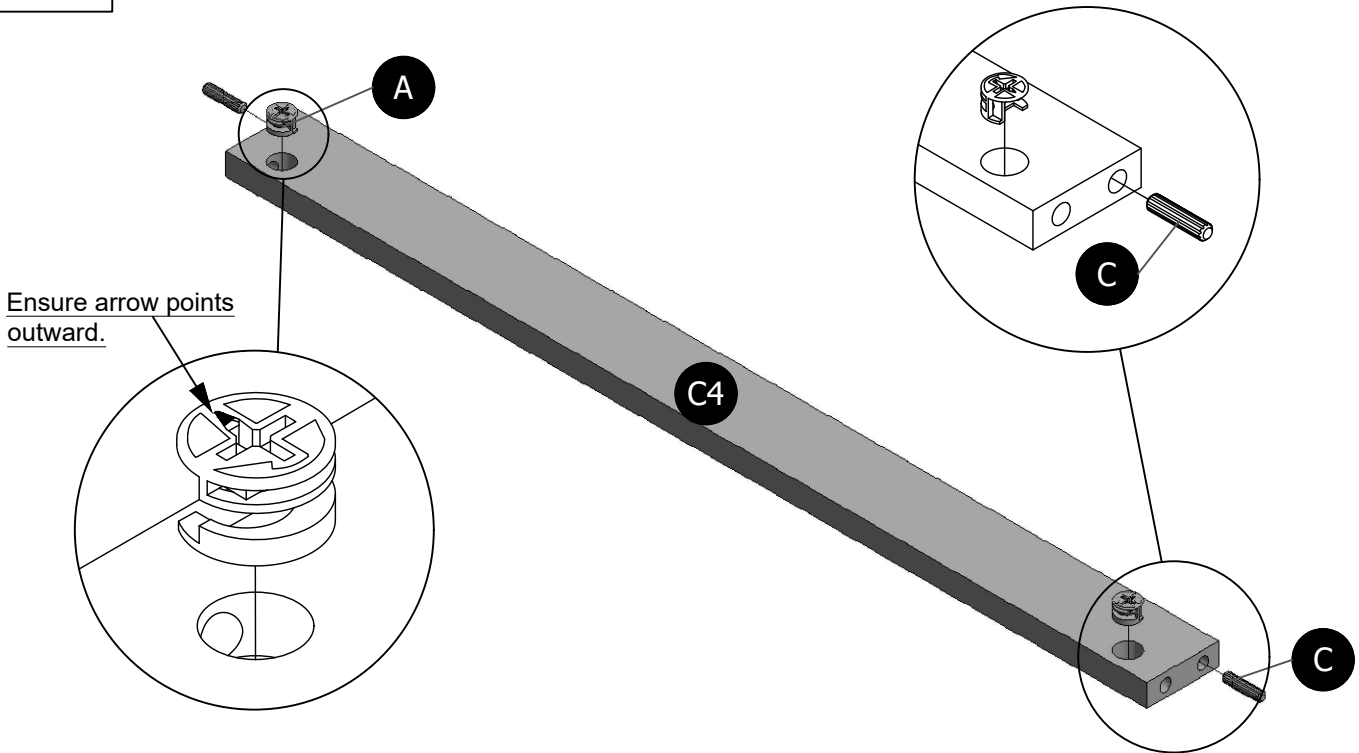


# ASSEMBLY INSTRUCTION

## STEP 3

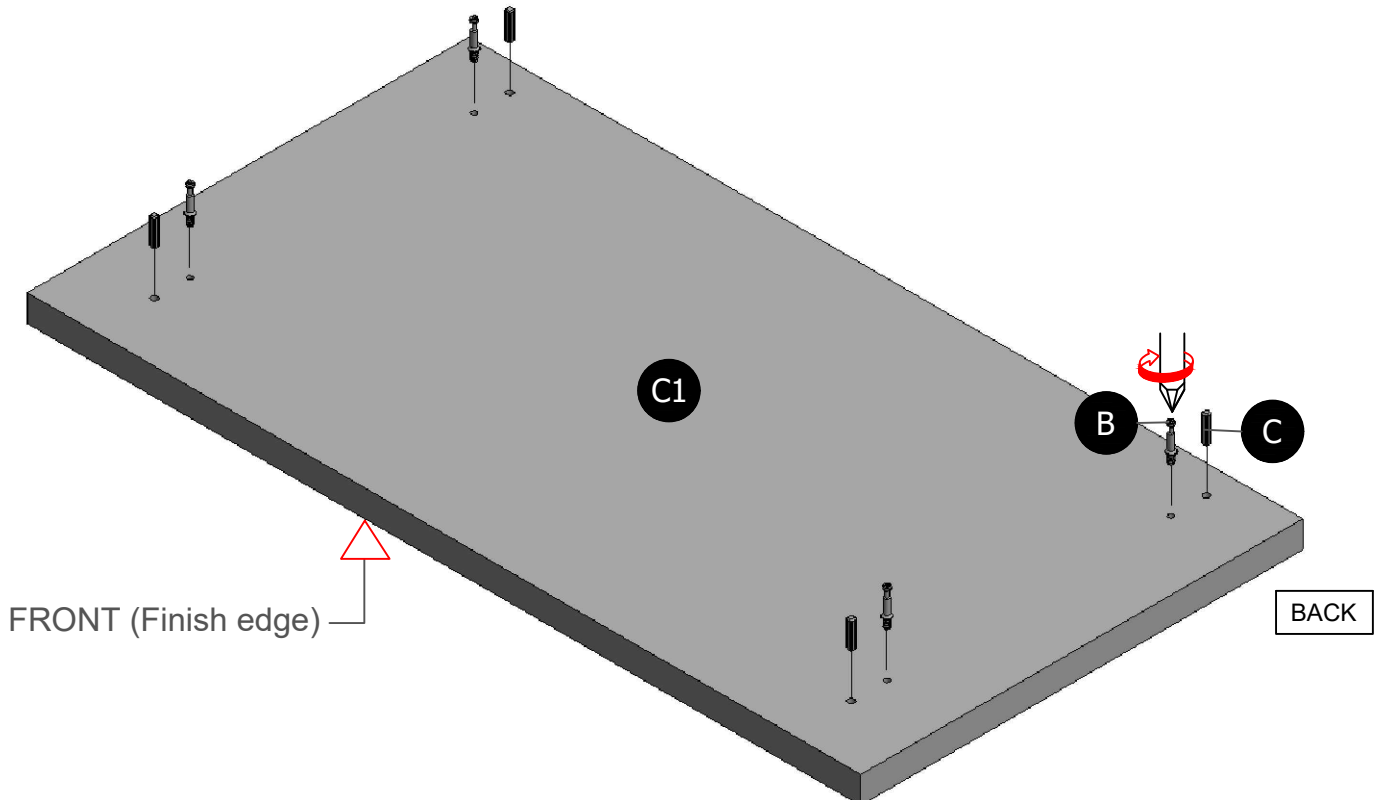
Insert 2pcs (A) & (C) into the (C4) as shown .

**x 3**



## STEP 4

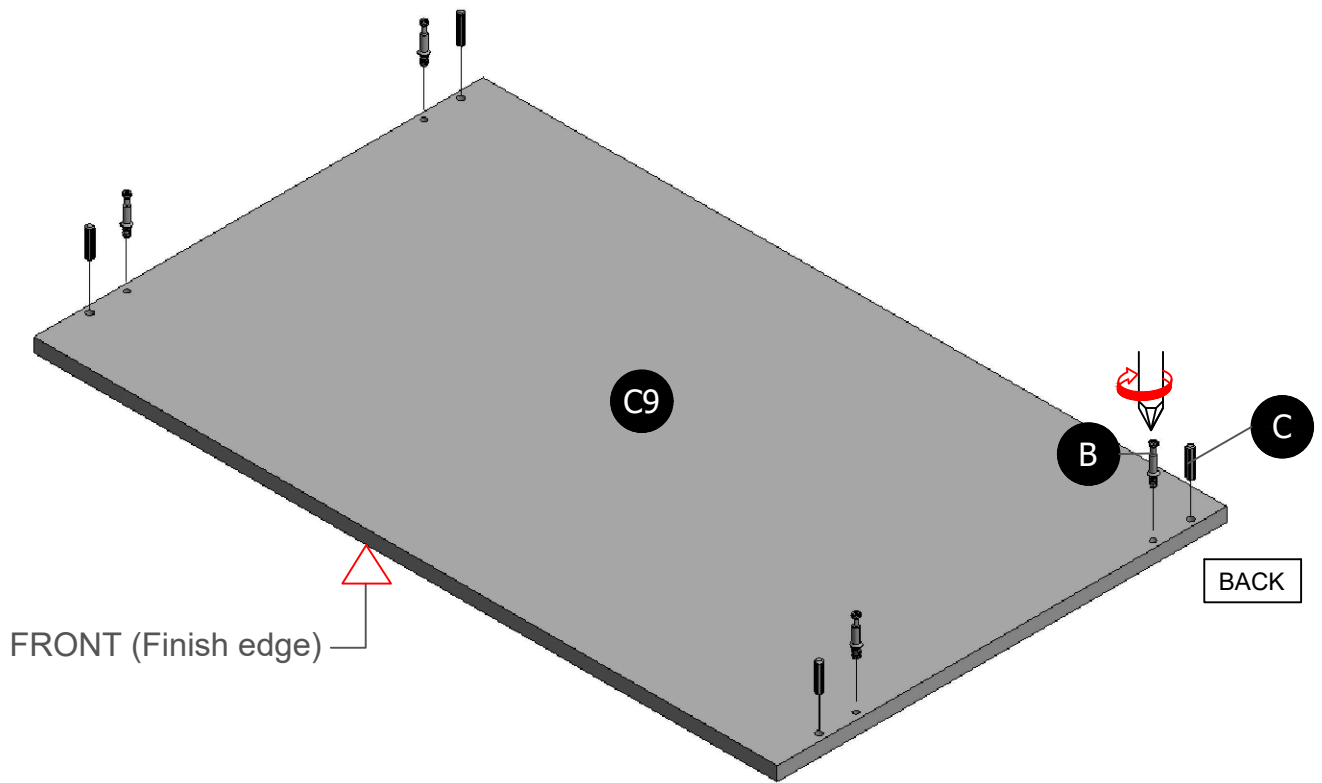
Insert 4pcs (C) and screw in 4pcs (B) into the (C1) as shown.



# ASSEMBLY INSTRUCTION

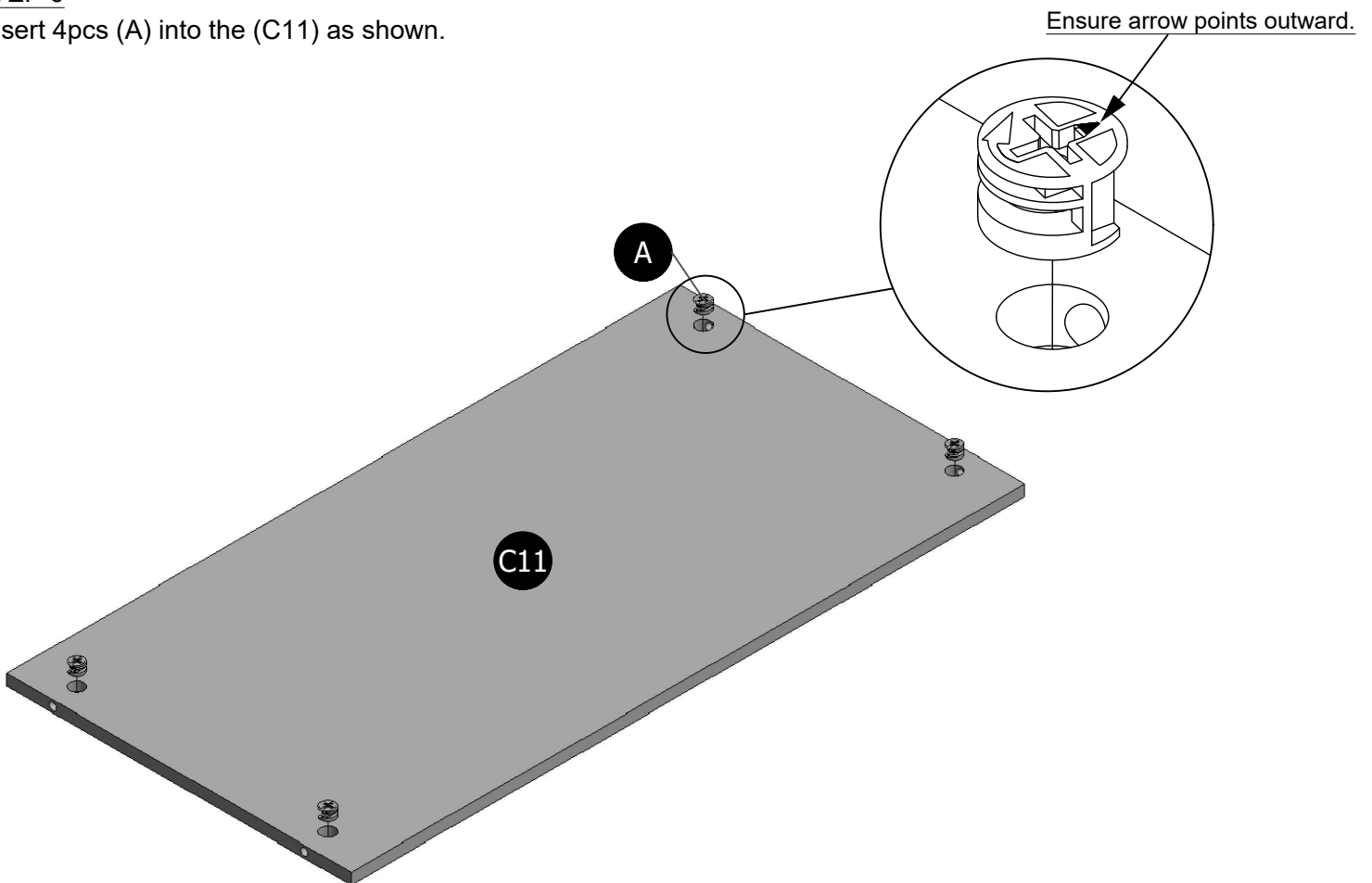
## STEP 5

Insert 4pcs (C) and screw in 4pcs (B) into the (C9) as shown.



## STEP 6

Insert 4pcs (A) into the (C11) as shown.

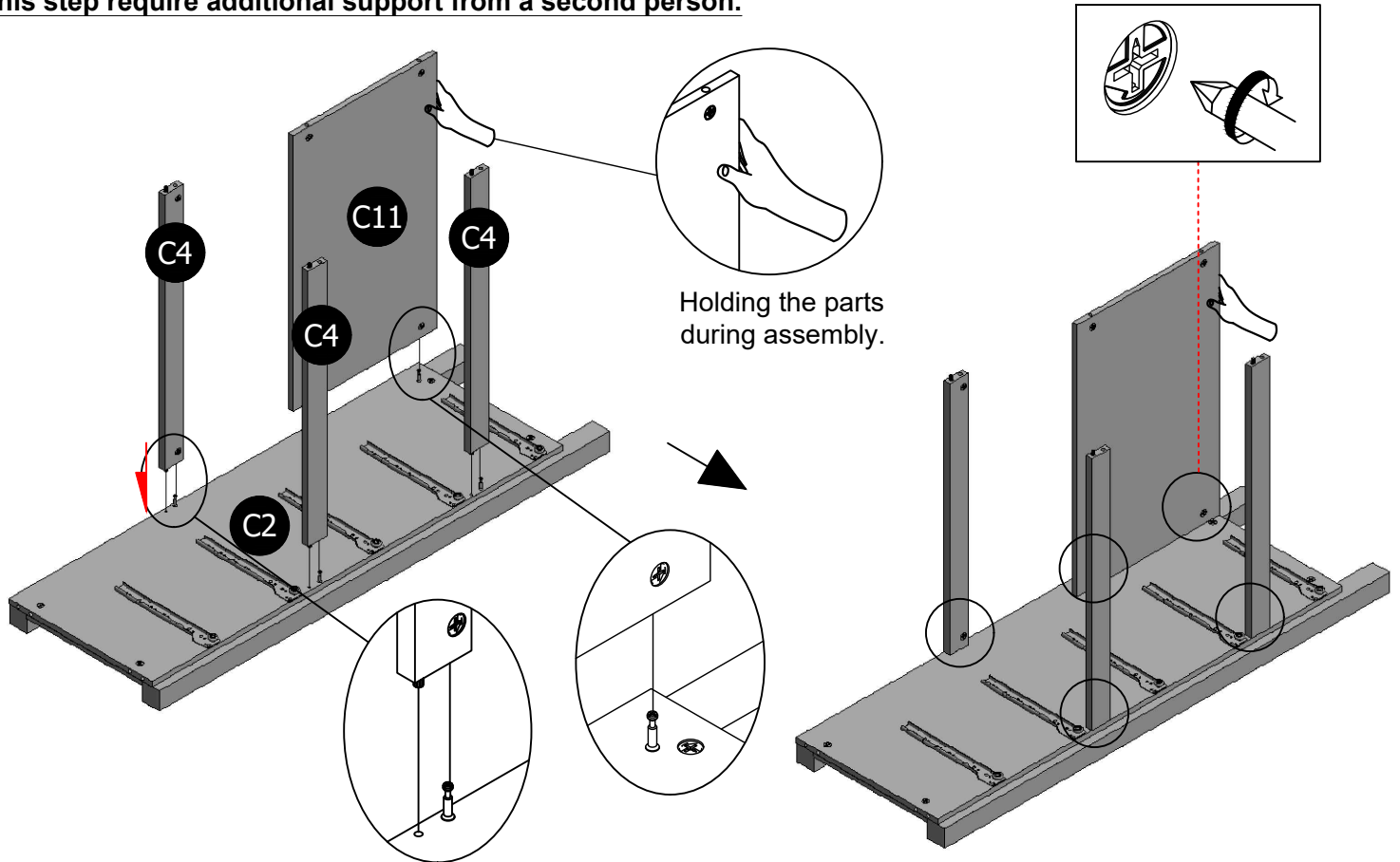


# ASSEMBLY INSTRUCTION

## STEP 7

Combine (C4) & (C11) into (C2), then tighten 5pcs (A) as shown.

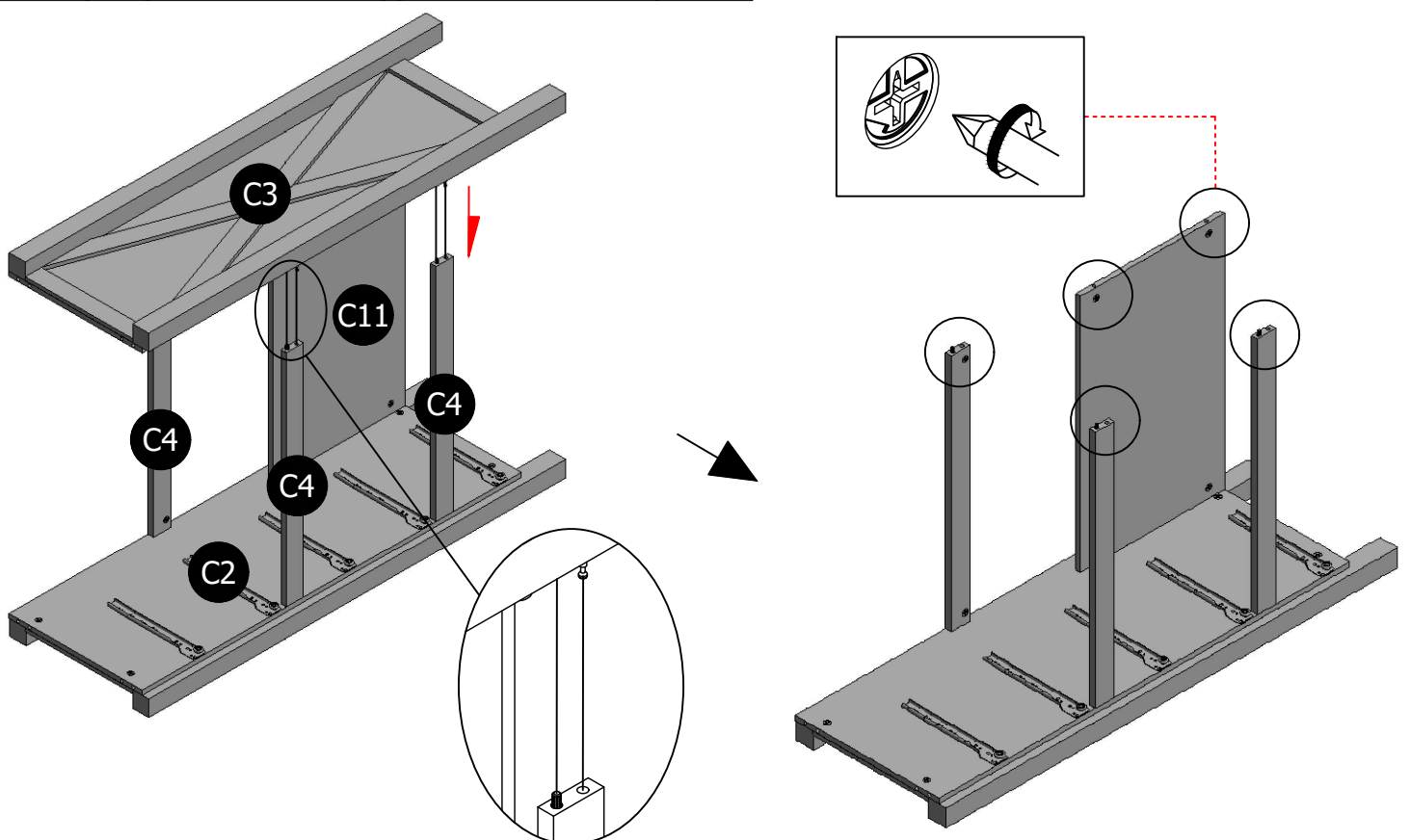
**\*\*This step require additional support from a second person.**



## STEP 8

Combine (C3) into (C4) & (C11), then tighten 5pcs (A) as shown.

**\*\*This step require additional support from a second person.**

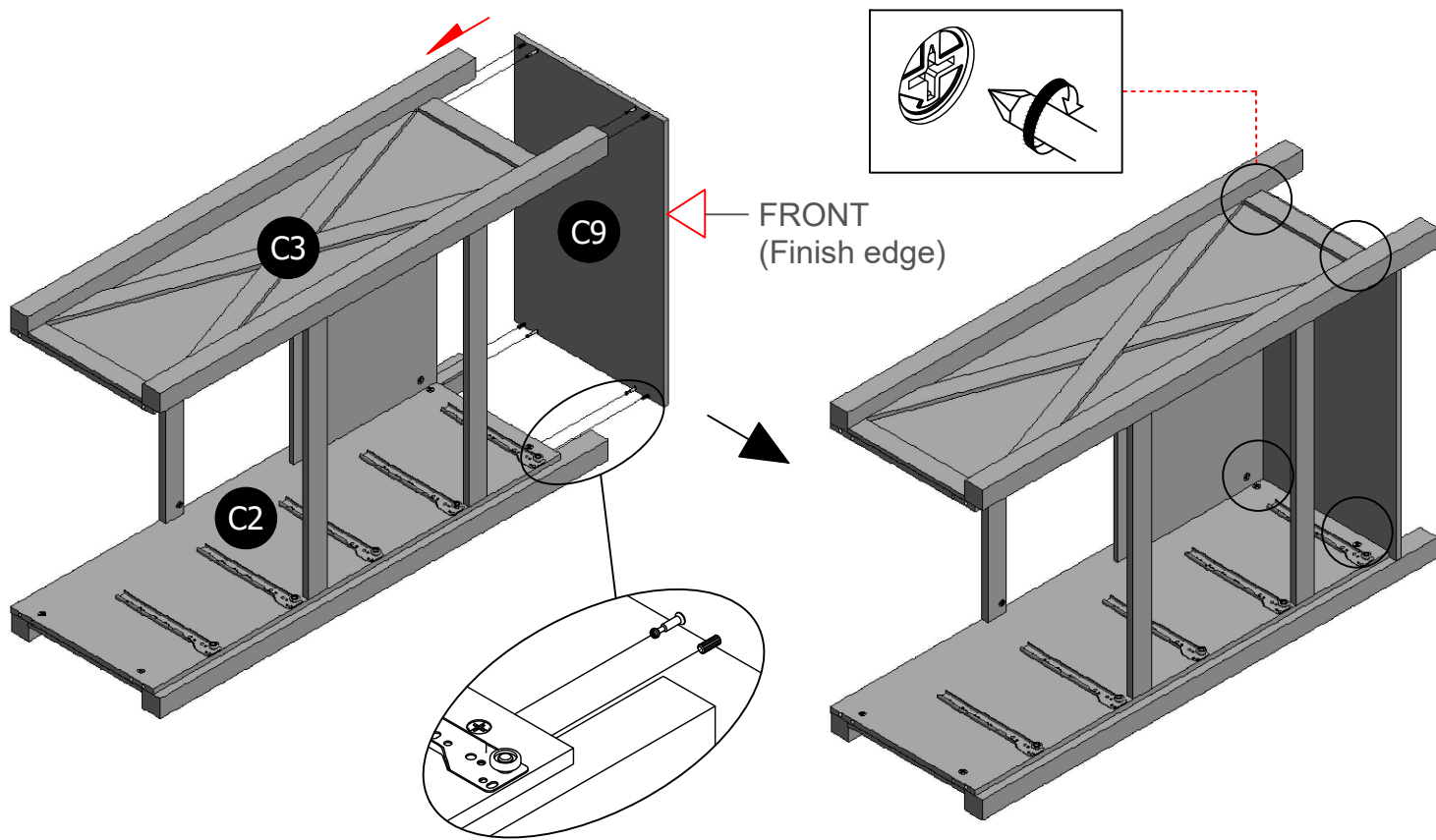


# ASSEMBLY INSTRUCTION

## STEP 9

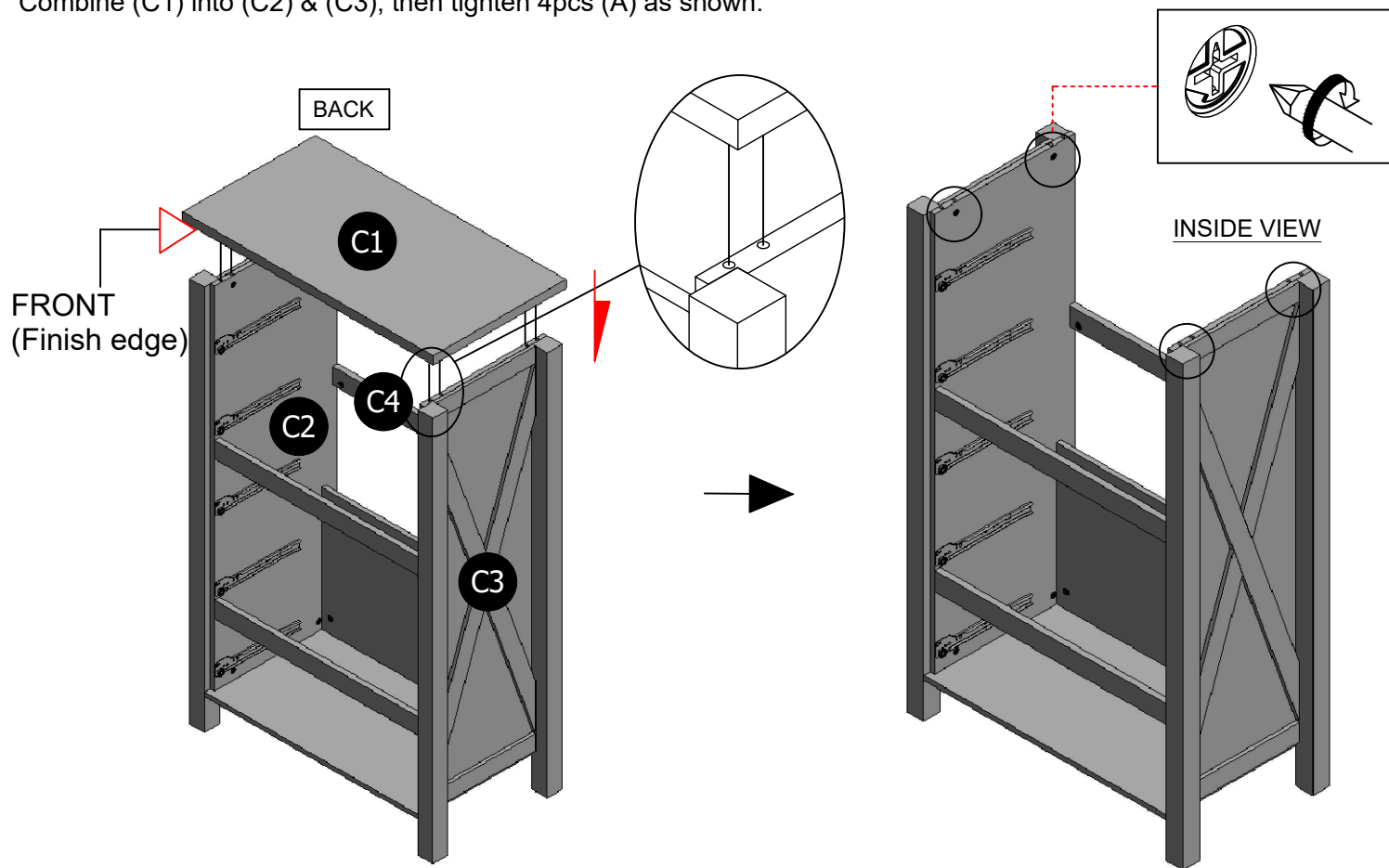
Combine (C9) into (C2) & (C3), then tighten 4pcs (A) as shown.

**\*\*This step require additional support from a second person.**



## STEP 10

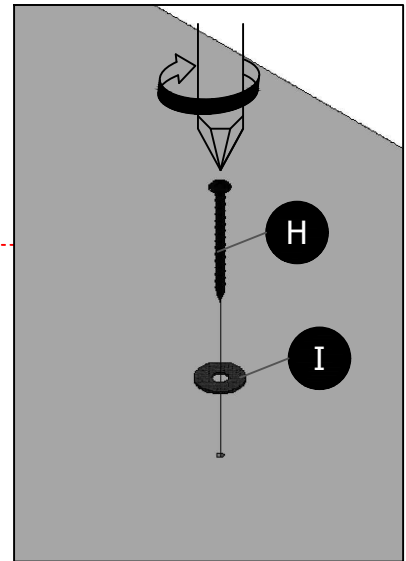
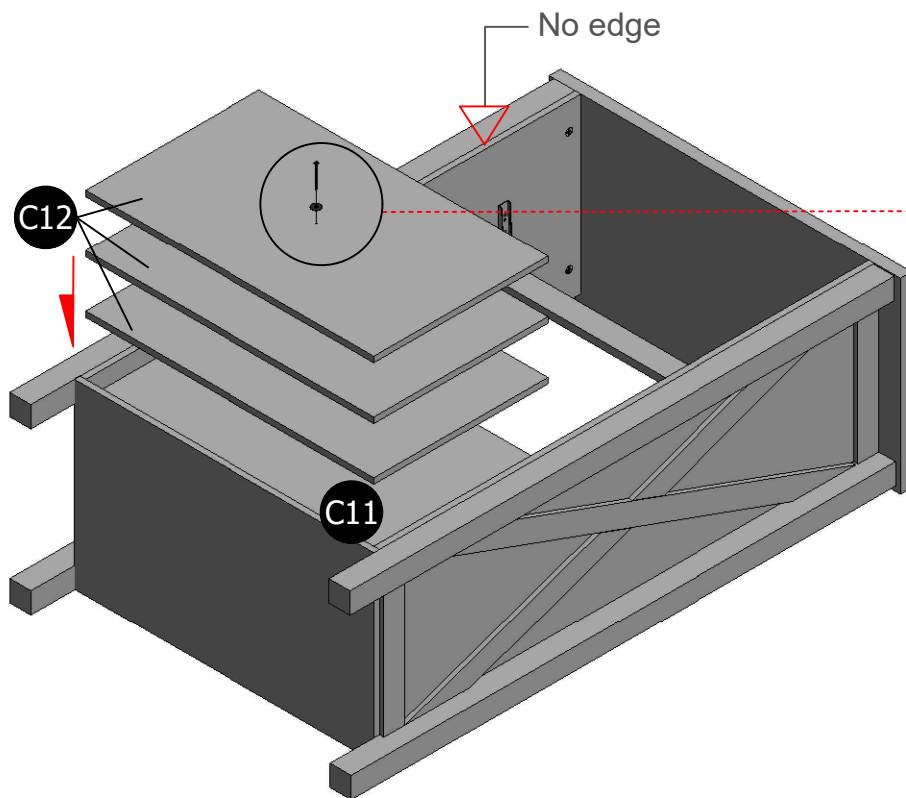
Combine (C1) into (C2) & (C3), then tighten 4pcs (A) as shown.



# ASSEMBLY INSTRUCTION

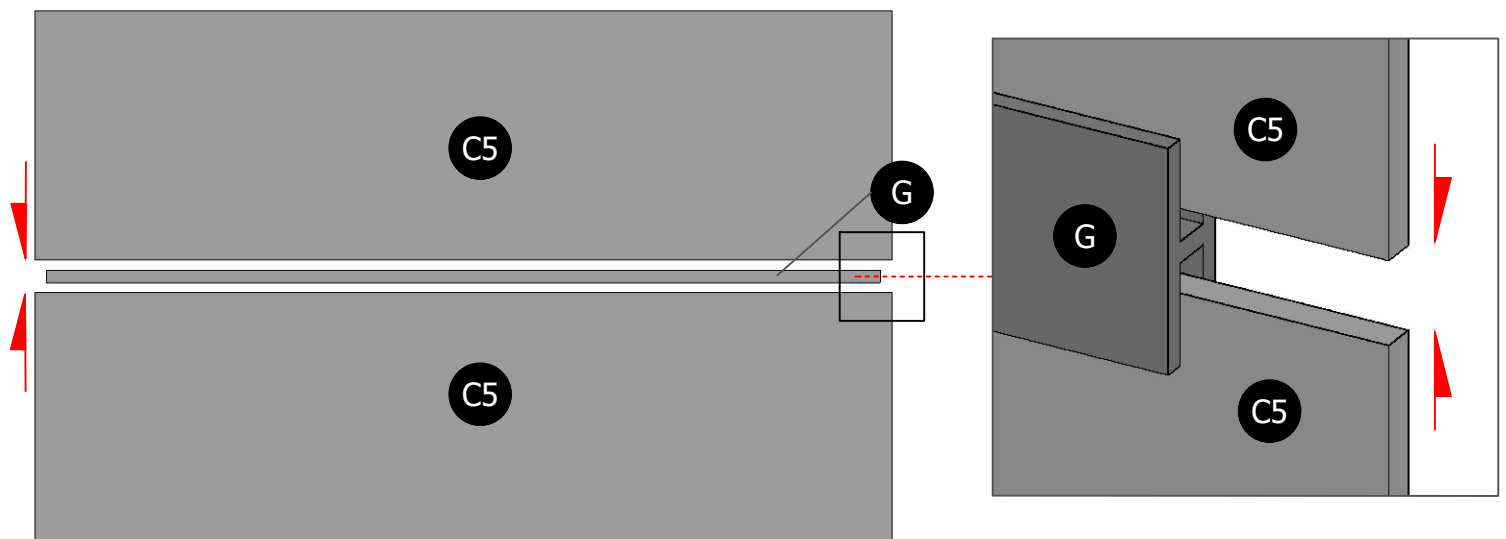
## STEP 11

Insert the (I) into the (H), then screw in the (H) to secure (C11) & (C12) as shown.



## STEP 12

Insert the (C5) into the (G) as shown. Direction of the side with colored paper must be the same.

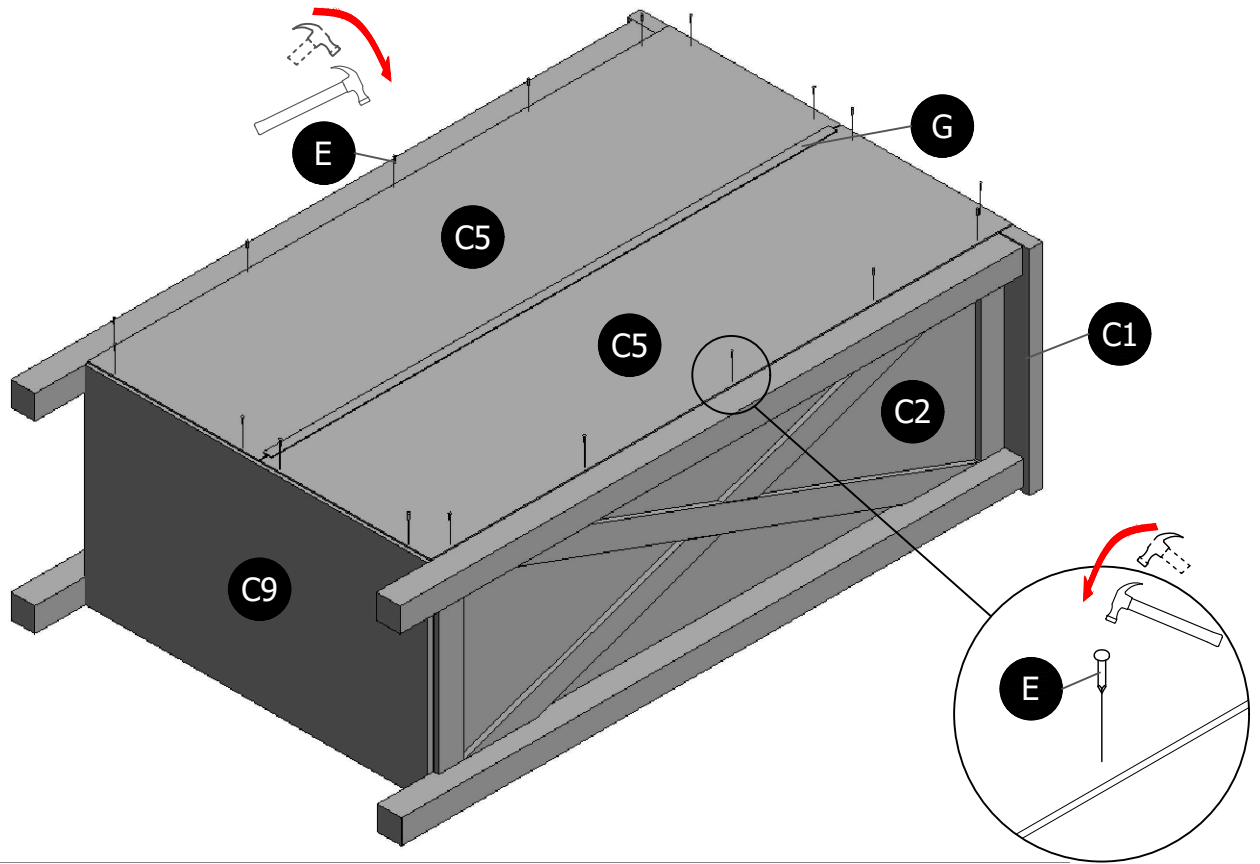


# ASSEMBLY INSTRUCTION

## STEP 13

Secure the (C5) to the frame using 18pcs (E) as shown. Colored paper face to outside.

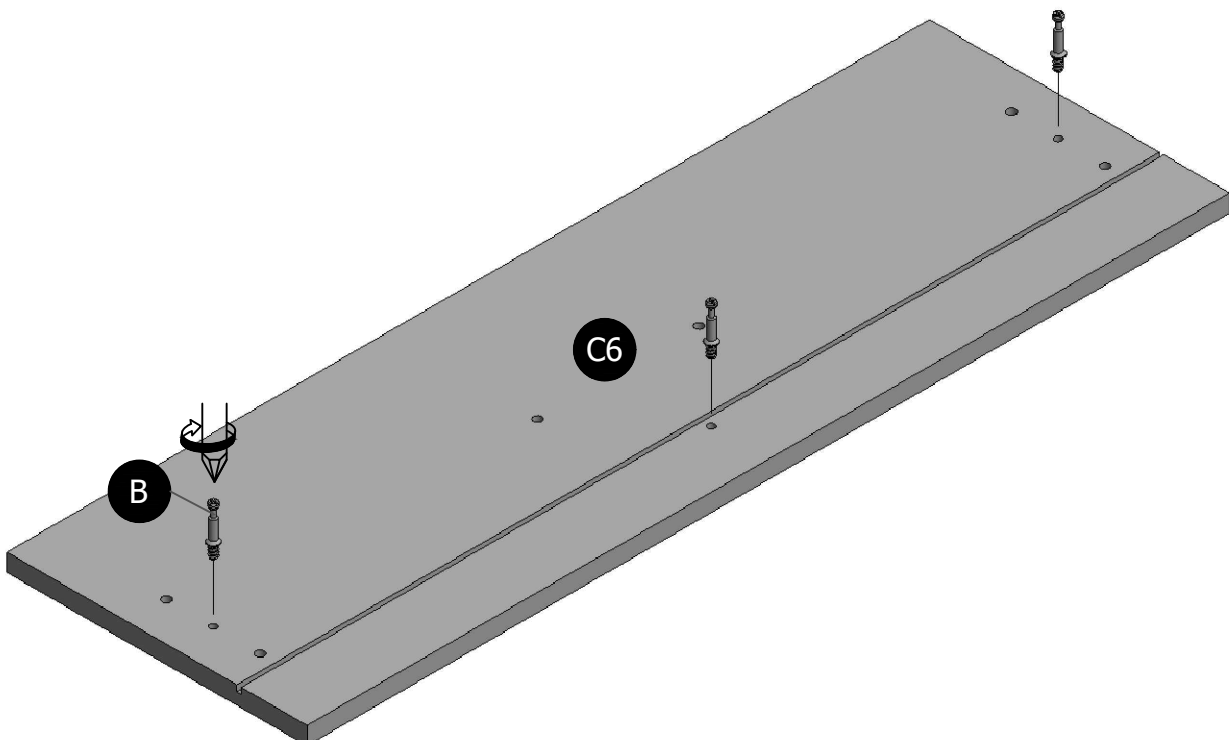
**\*\*This step require additional support from a second person.**



## STEP 14

Screw in 3pcs (B) to the (C6) as shown.

**x 5**

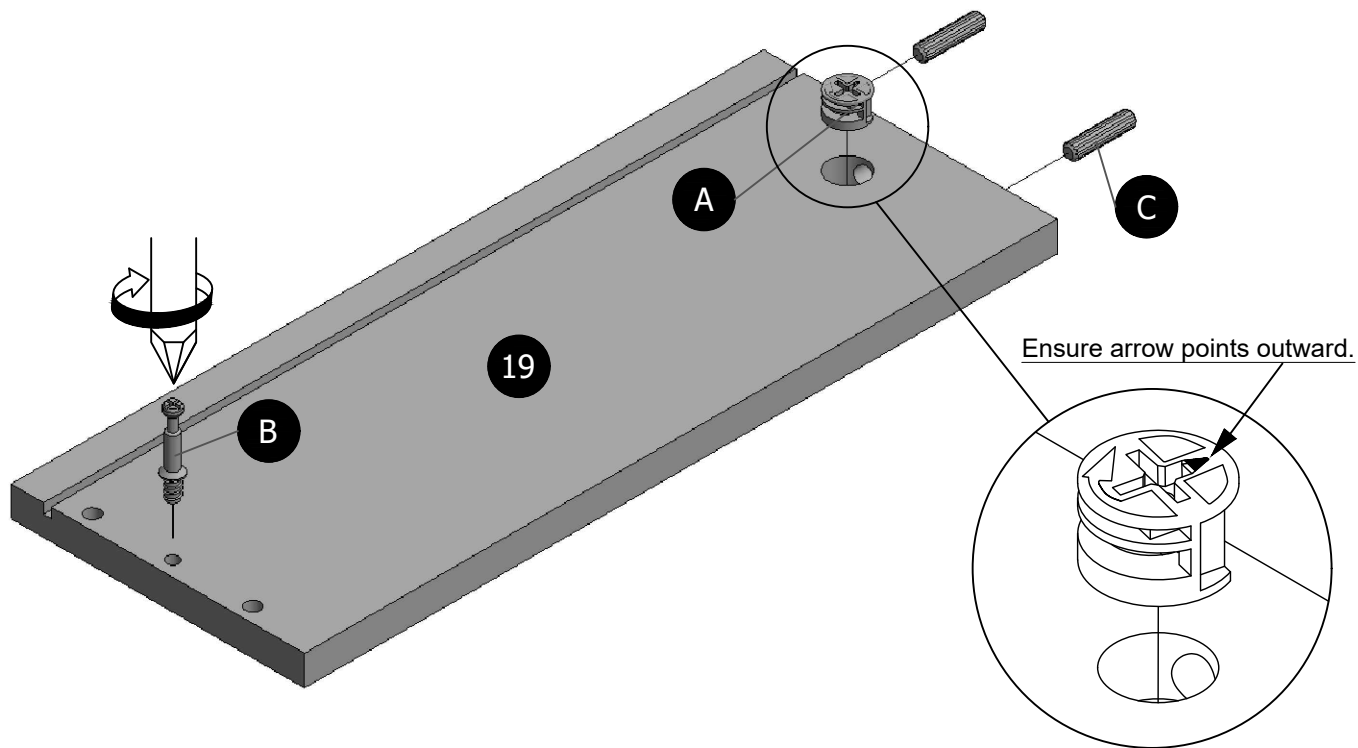


# ASSEMBLY INSTRUCTION

## STEP 15

Insert 1pc (A) & 2pcs (C) into the (19), then screw in 1pc (B) as shown.

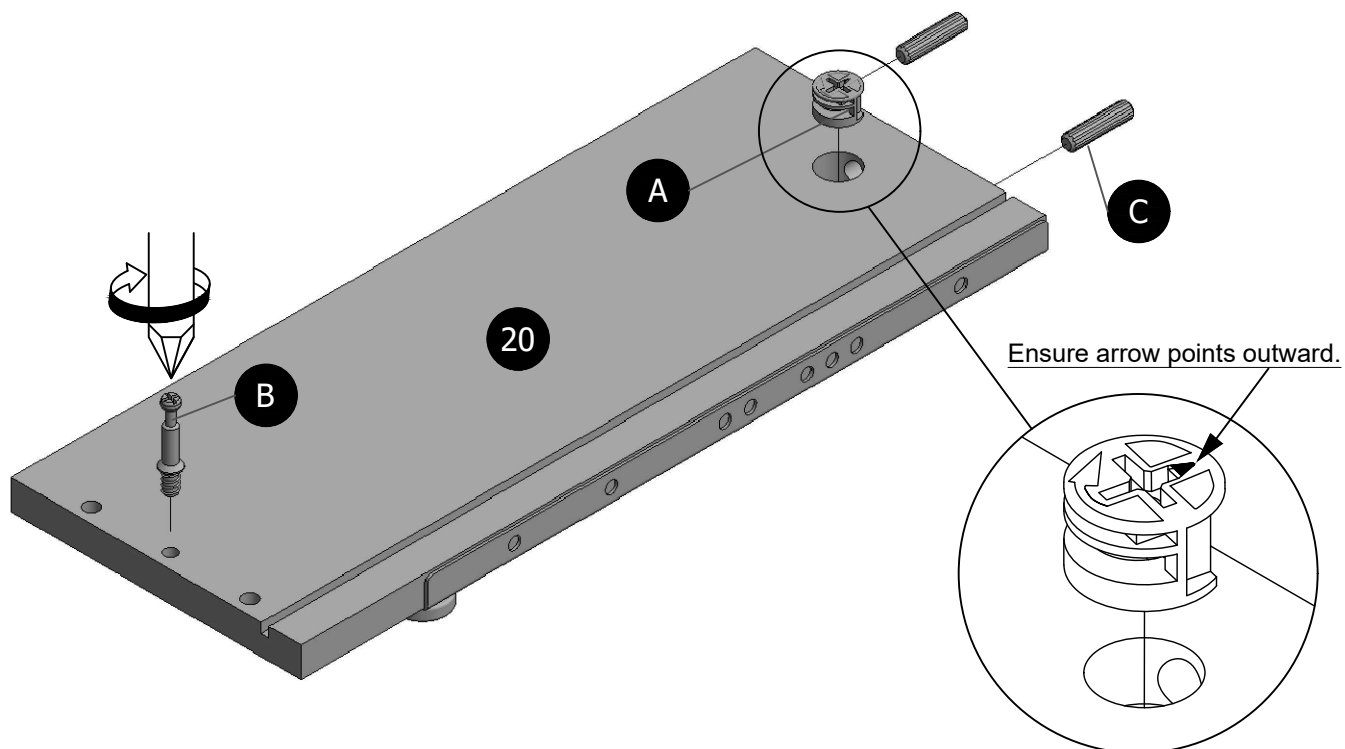
**x 5**



## STEP 16

Insert 1pc (A) & 2pcs (C) into the (20), then screw in 1pc (B) as shown.

**x 5**

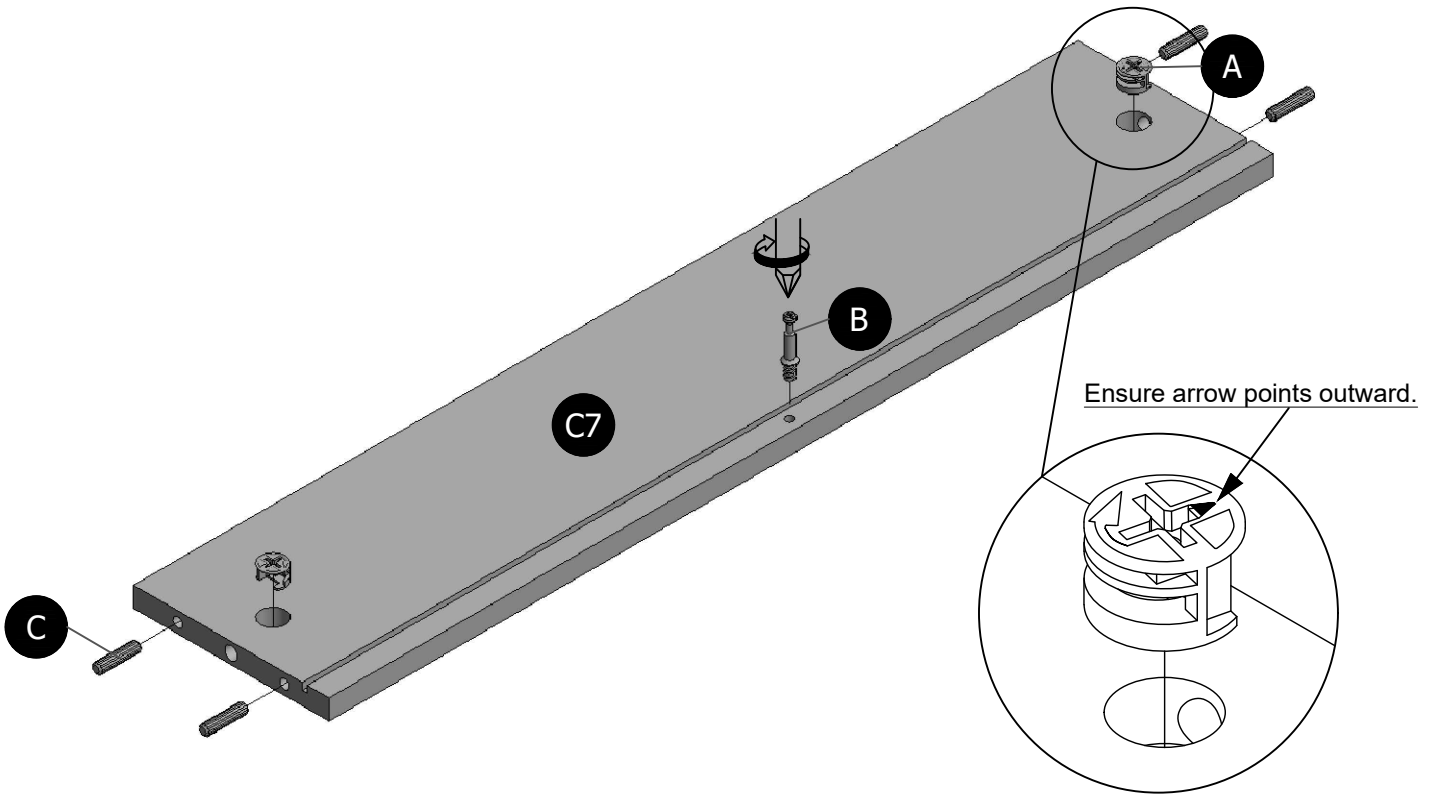


# ASSEMBLY INSTRUCTION

## STEP 17

Insert 2pcs (A) & 4pcs (C) into the (C7), then screw in 1pc (B) as shown.

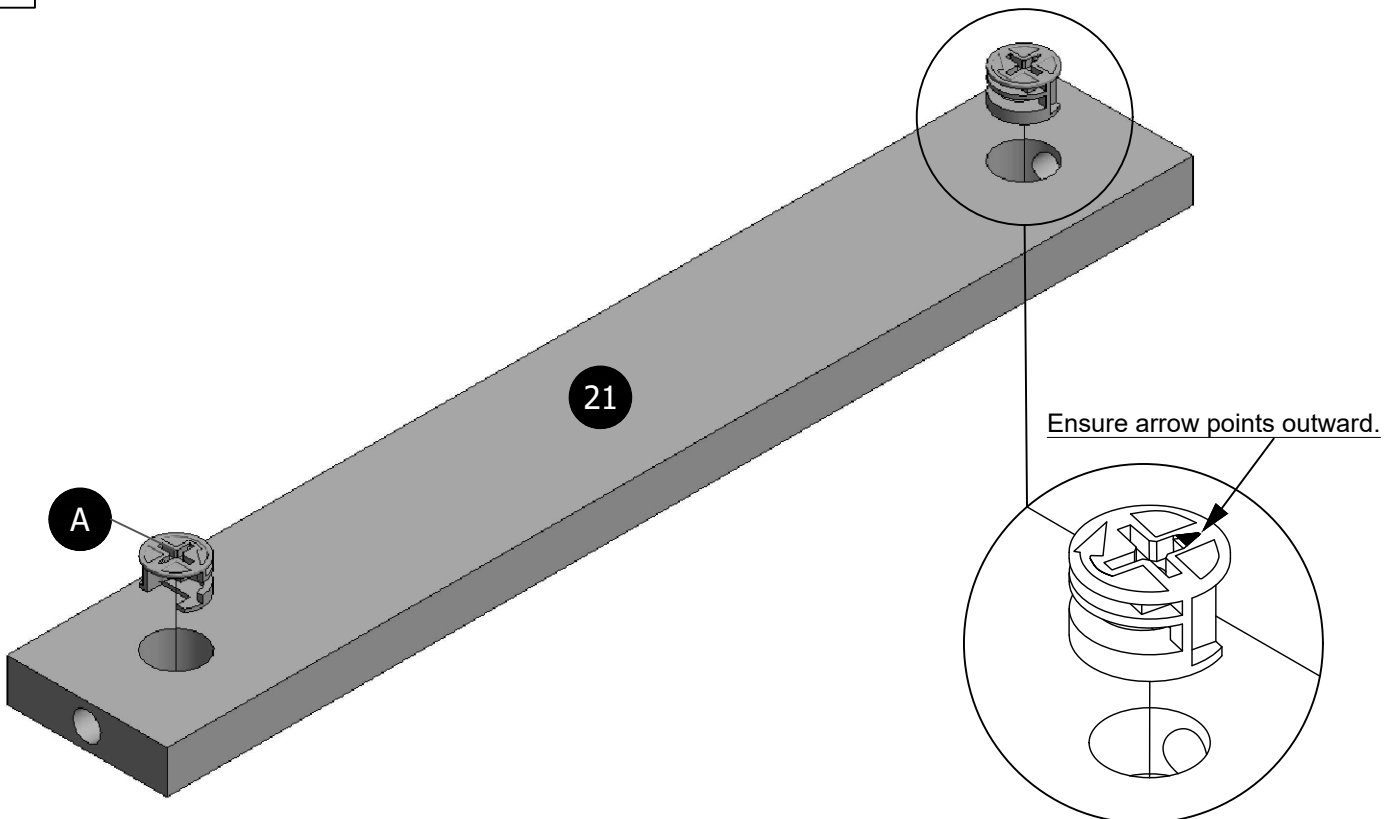
**x 5**



## STEP 18

Insert 2pcs (A) into the (21) as shown.

**x 5**

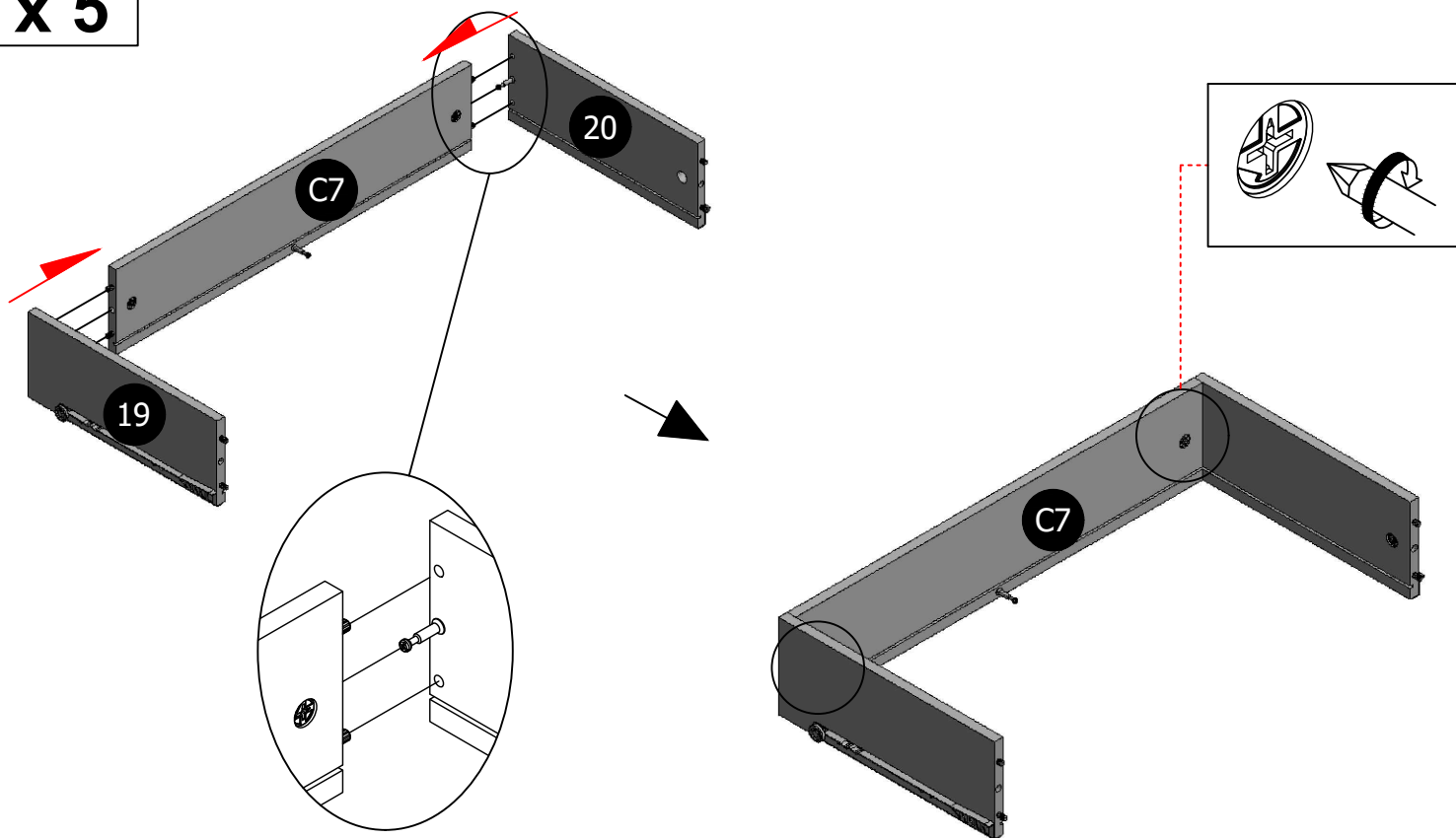


# ASSEMBLY INSTRUCTION

## STEP 19

Combine (19) & (20) into (C7), then tighten 2pcs (A) as shown.

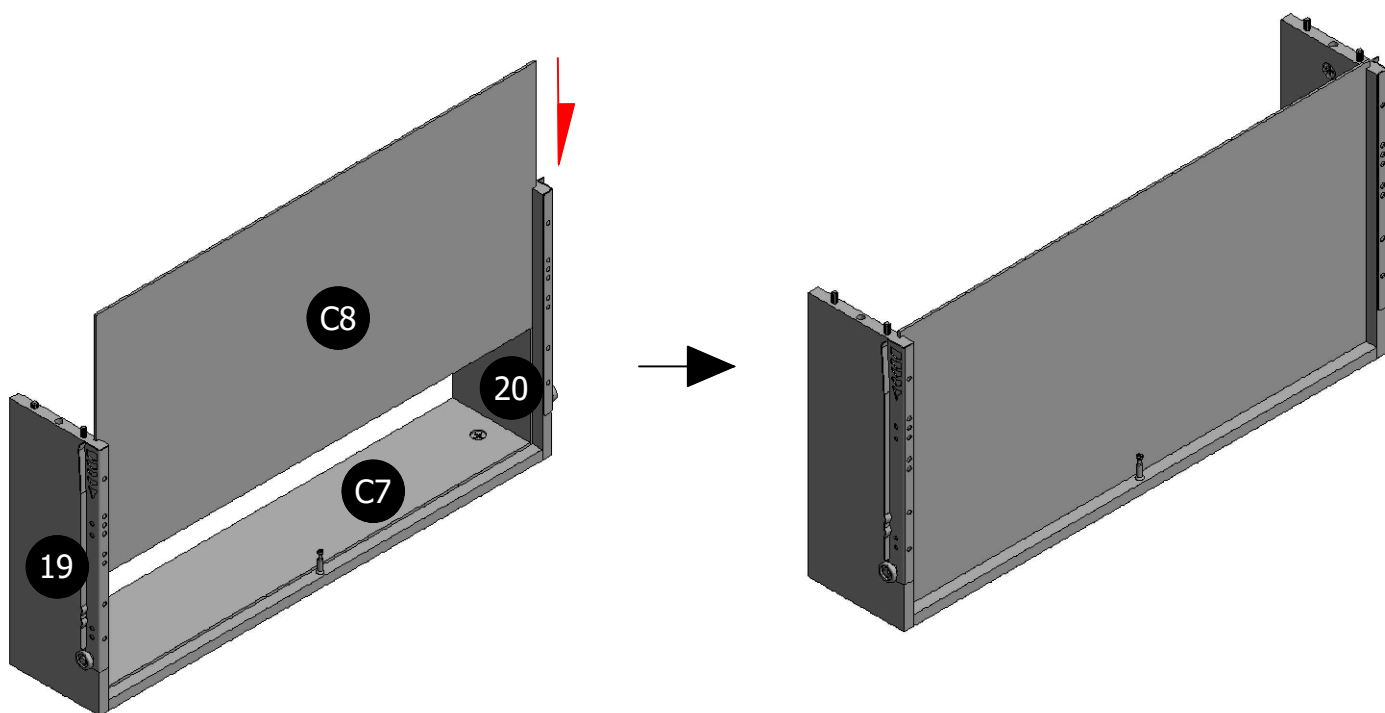
**x 5**



## STEP 20

Insert (C8) into the drawer groove as shown.

**x 5**

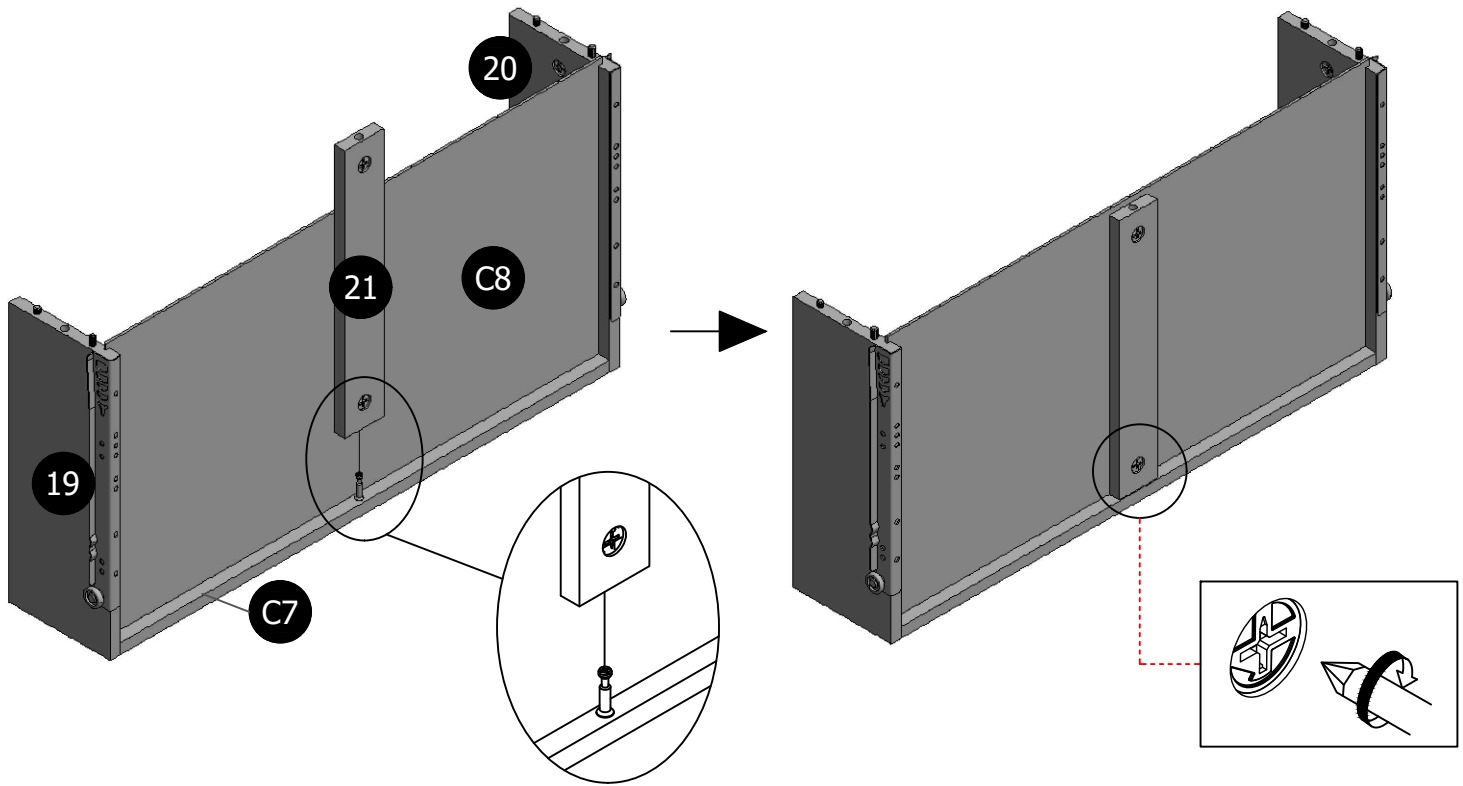


# ASSEMBLY INSTRUCTION

## STEP 21

Combine the (21) onto the (C7), then tighten 1pc (A) as shown.

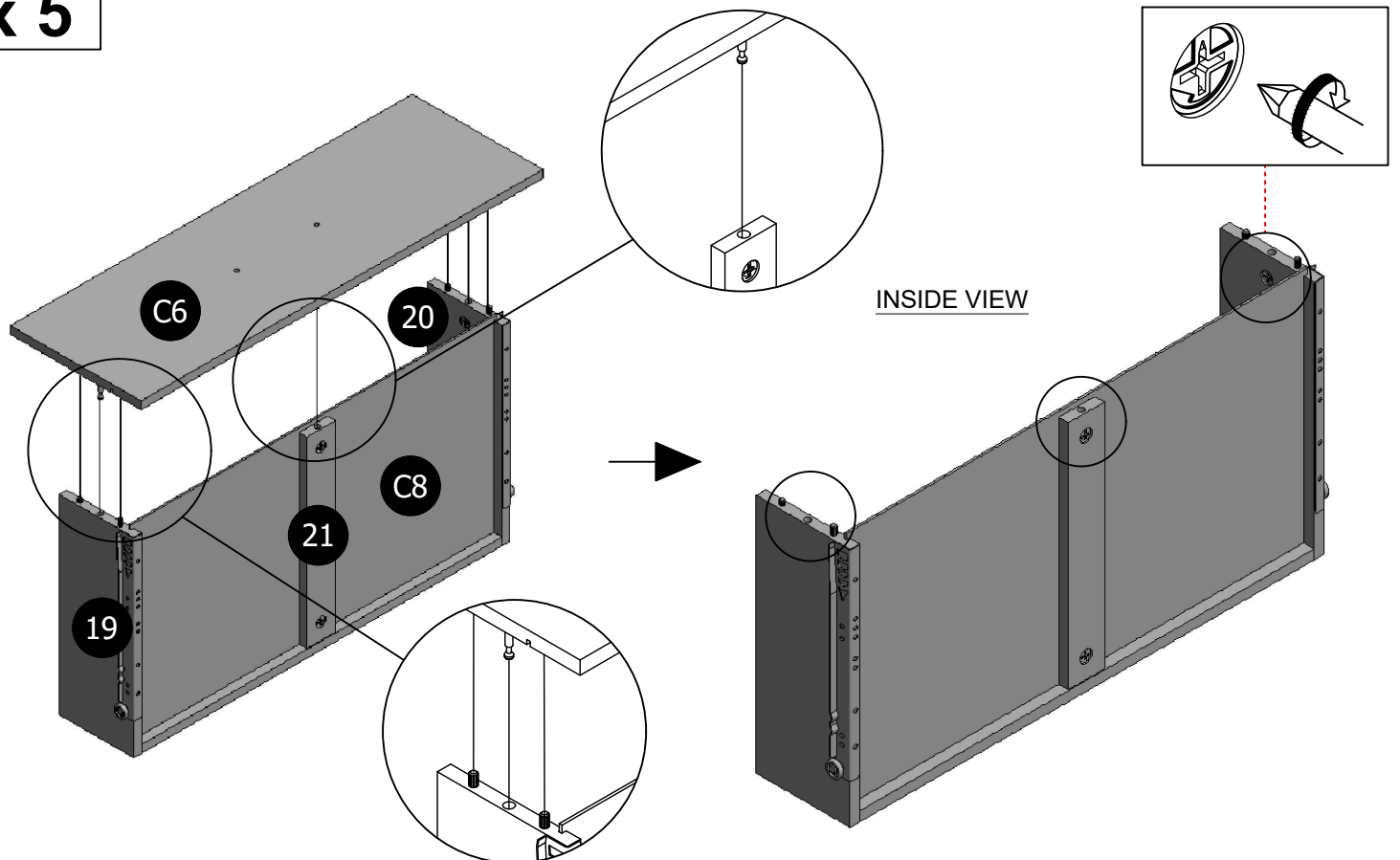
**x 5**



## STEP 22

Combine the (C6) to the drawer frame, then tighten 3pcs (A) as shown.

**x 5**

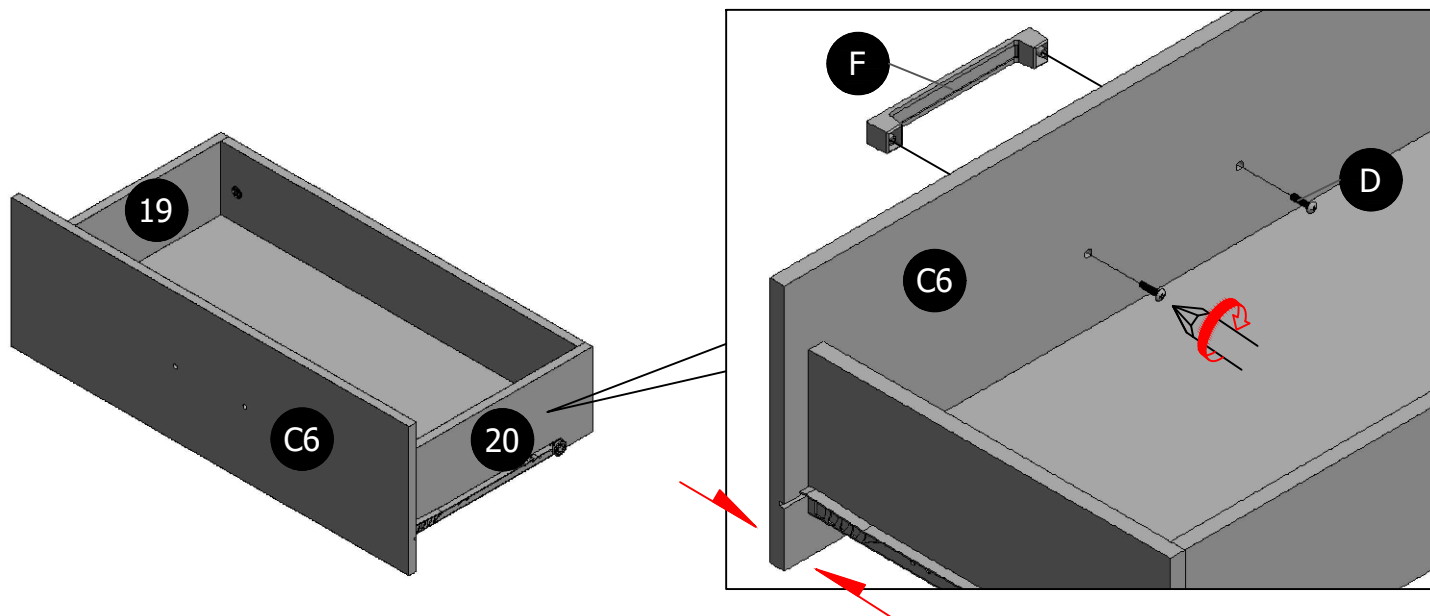


# ASSEMBLY INSTRUCTION

## STEP 23

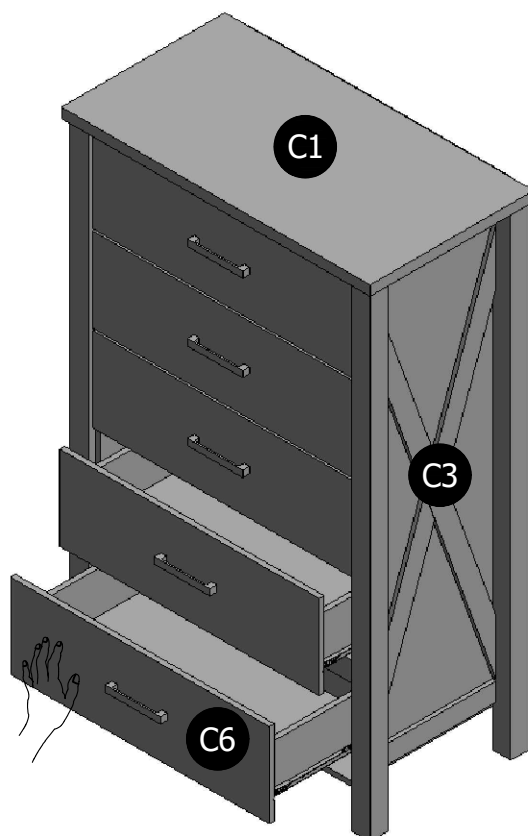
Screw 2pcs (D) into the (F) as shown.

**x 5**



## STEP 24

Align the position then push the 5pcs drawer to inside exactly by your hand.



# ASSEMBLY INSTRUCTION

STEP 25



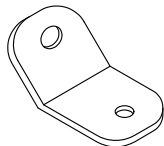
**ASSEMBLY COMPLETED**

# WALL STUD

## SAFETY BRACKET INSTRUCTIONS

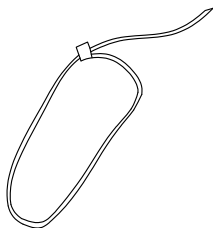
Part Enclosed

A) Bracket



2x

B) Safety Strap



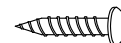
1x

C) 50mm Pan Head Screw



1x

D) 17mm Pan Head Screw



1x

**IMPORTANT** Tipping can injure young children. Use of this safety hardware is highly recommended. This safety hardware, when properly installed, can provide furniture protection against unexpected accidental tipping of furniture due to improper use.

### Step 1

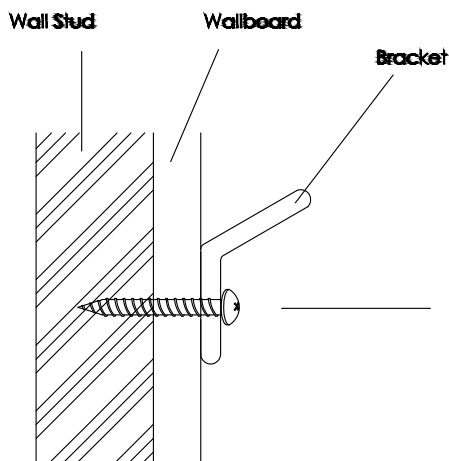
Attach a bracket to the wall board with the 2" screw provided

It is recommended that you locate a wall stud behind the furniture unit. If the wall stud is not used, a suitable "Hollow-Wall Anchor Bolt" (not provided) should be used in lieu of the wall stud.

Position the wall bracket on the stud about 1" below the top of furniture piece.

Mark the position for the bracket placement on the wall and drill a pilot hole into the stud.

Attach the bracket to the back of the furniture with the 2" screws provided.



### Step 2

To attach a bracket to the Furniture Frame below to top with the short screws provided.

Move the furniture piece temporarily to its final position to the wall.

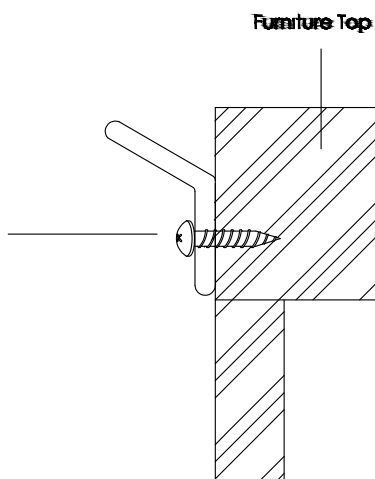
Mark the location of the bracket on the back of the furniture in relation to the previously mounted wall bracket.

Move the furniture piece away from the wall-mounted bracket and place the other bracket on the mark position on the back of the furniture piece.

Drill a pilot hole as shown in the figure or into the back furniture frame.

**Caution:** Make sure you do not drill completely through the back of the furniture.

Attach the bracket to the back of the furniture with the 5/8" screws provided.



### Step 3

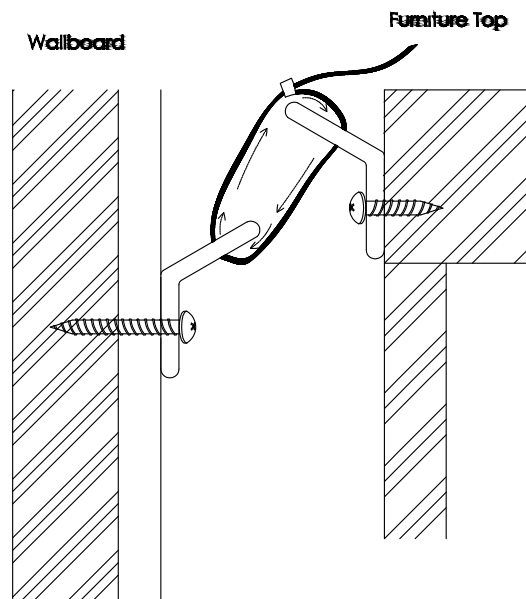
To Attach the safety strap

Move the furniture back to its final position.

Thread the safety strap through both of the mounted brackets as shown in the illustration.

Tighten the strap unit snug.

Do not over tighten.



**IMPORTANT** Make sure the brackets are firmly attached to the wall stud and furniture frame and the safety strap is snug.

**Warning:** This product is not to be a substitute for proper parental supervision, which is the only proper deterrent to prevent improper use of this unit. The manufacturer assumes no liability for improper installation or excessive loads placed on the safety straps, bracket or mounting screws. This hardware will not insure against tipping.

**Note:** For taller or heavier pieces of furniture, two safety brackets may be installed.

This sticker was stucked at one of the DRAWER LEFT PANEL(20).



Place the drawer which stucked a warning label in the top as shown.

