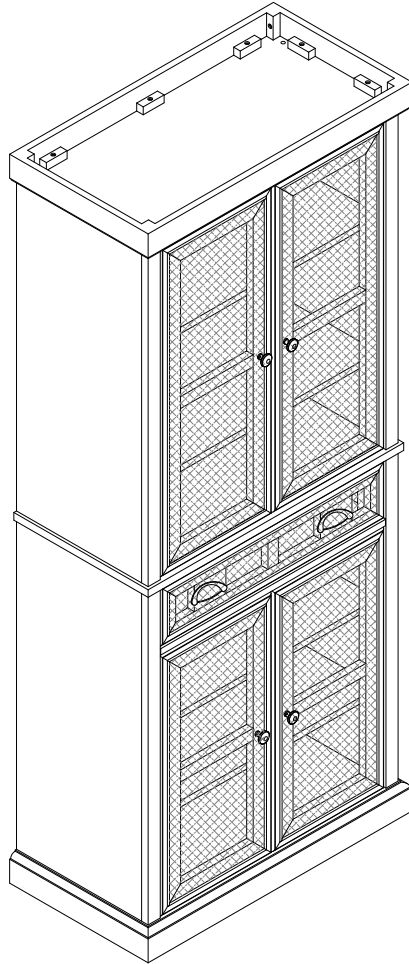


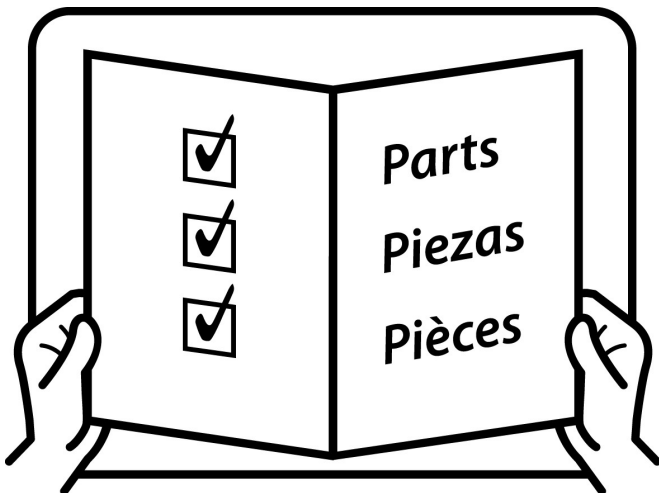
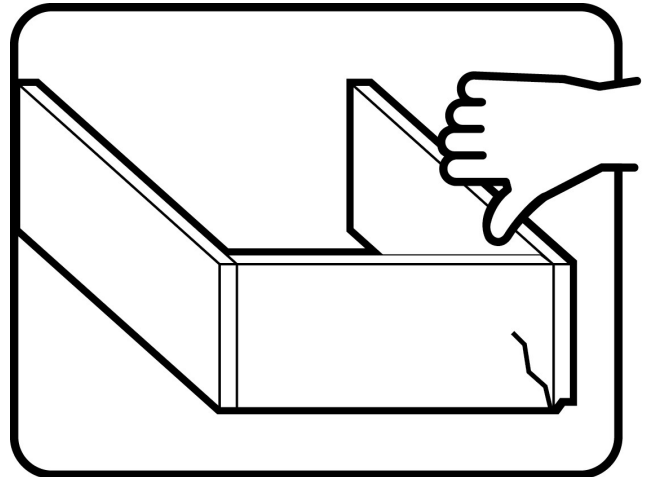
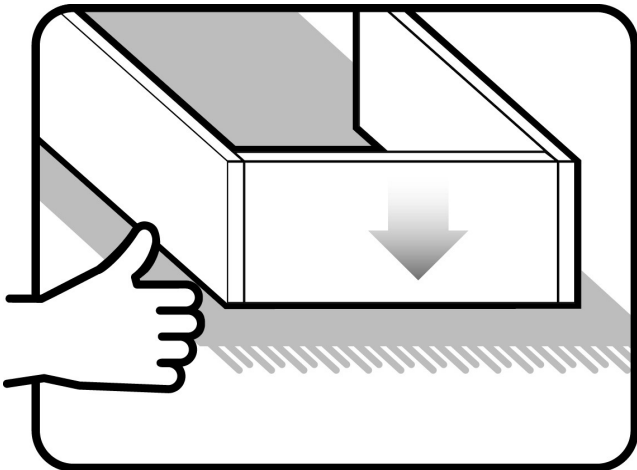
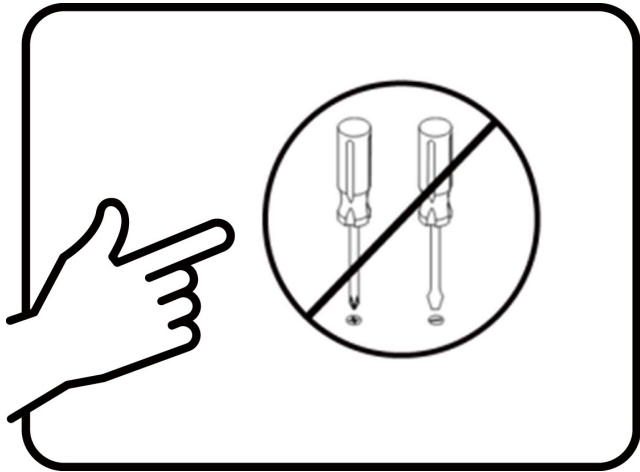
# Assembly | Asambllea | Assemblage



Product number | Número de producto | Numéro de produit

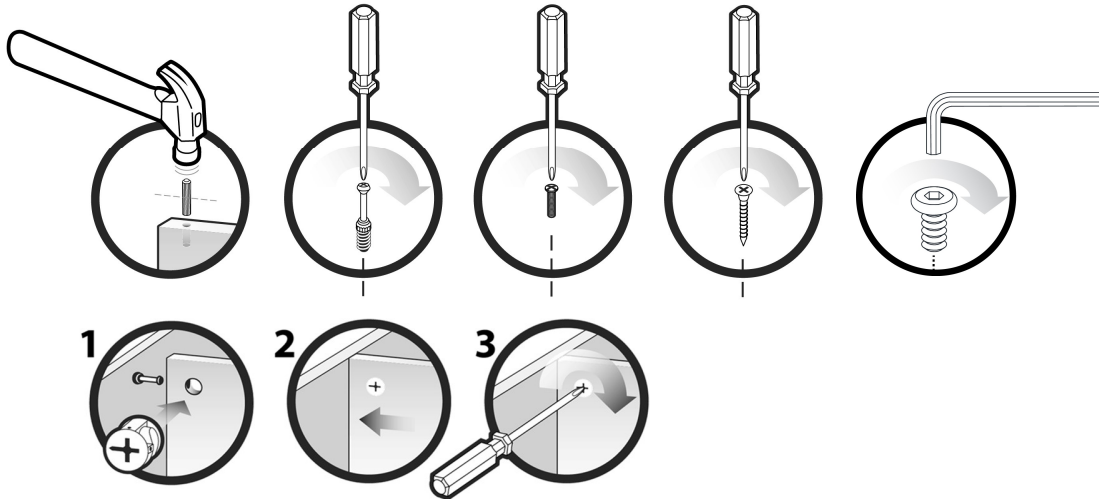
Thank you for your purchase! | ¡Gracias por tu compra! | Merci pour votre achat!

# Assembly | Asamblea | Assemblage

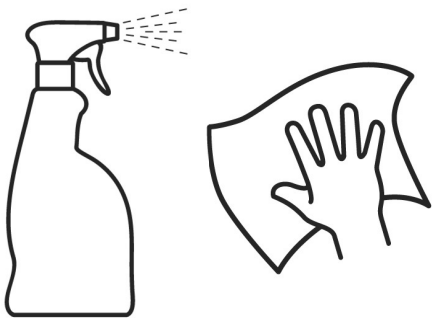


# Assembly | Asambla | Assemblage

Techniques | Técnicas | Techniques



Care | Cuidado | Entretien



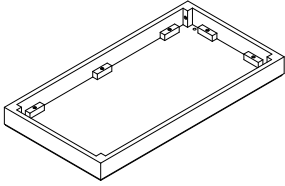
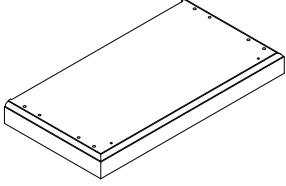
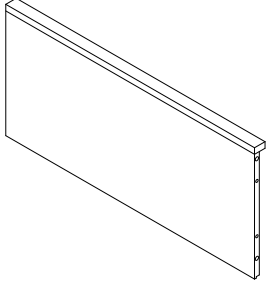
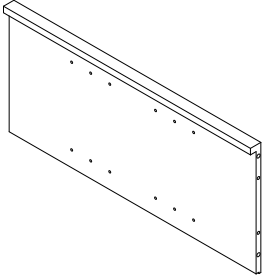
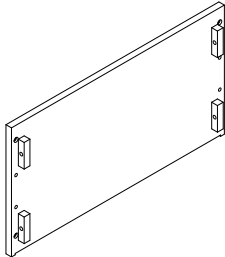
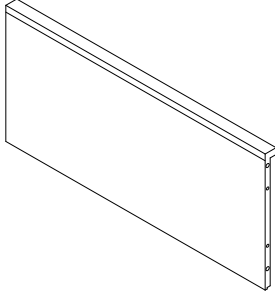
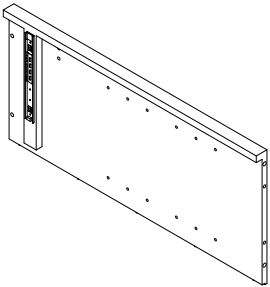
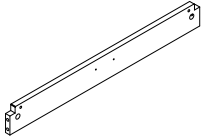
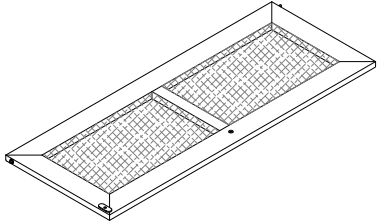
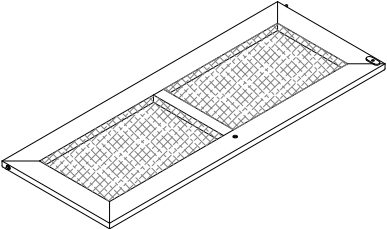
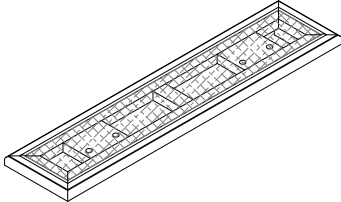
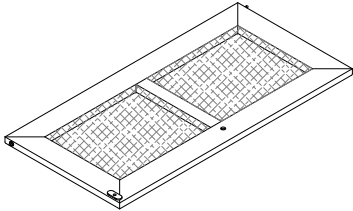
Safety | Seguridad | Sécurité



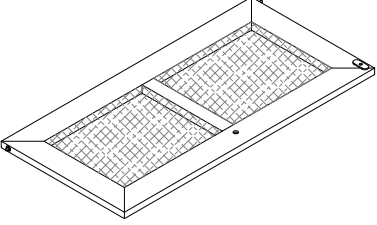
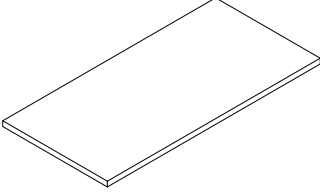
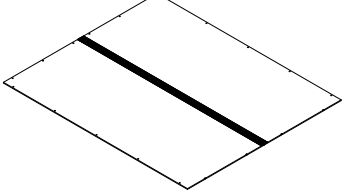
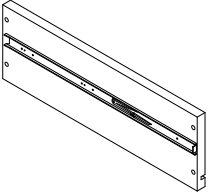
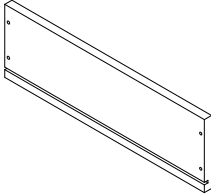
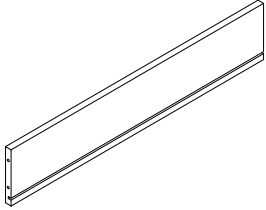
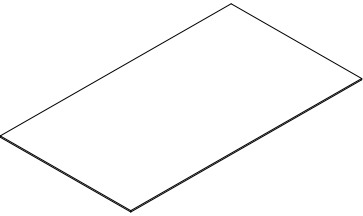
Note! | ¡Nota! | Remarque!




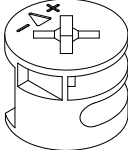
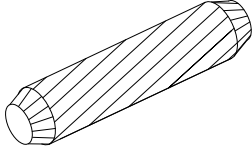
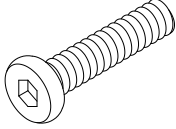

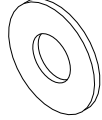
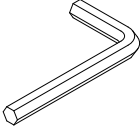
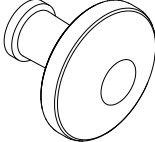
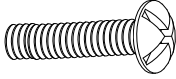
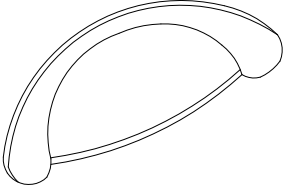

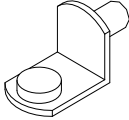
# Assembly | Asambla | Assemblage

<p>A x1</p>  <p>Top panel</p>	<p>B x1</p>  <p>Bottom panel</p>	<p>C x1</p>  <p>Up Left side panel</p>
<p>D x1</p>  <p>Up Right side panel</p>	<p>E x1</p>  <p>Middle fixed shelf</p>	<p>F x1</p>  <p>Down Left side panel</p>
<p>G x1</p>  <p>Down Right side panel</p>	<p>H x1</p>  <p>Across panel</p>	<p>I x1</p>  <p>Up Left door panel</p>
<p>J x1</p>  <p>Up Right door panel</p>	<p>K x1</p>  <p>Drawer front panel</p>	<p>L x1</p>  <p>Down Left door panel</p>

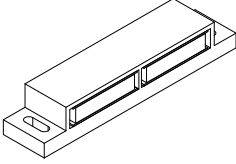
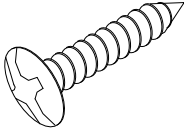

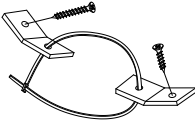
# Assembly | Asambllea | Assemblage

<p>M x1</p>  <p>Down Right door panel</p>	<p>N x4</p>  <p>Adjustable shelf panel</p>	<p>O x2</p>  <p>Back panel</p>
<p>P x1</p>  <p>Left drawer side panel</p>	<p>Q x1</p>  <p>Right drawer side panel</p>	<p>R x1</p>  <p>Drawer back panel</p>
<p>S x1</p>  <p>Drawer bottom panel</p>		

# Assembly | Asamblea | Assemblage

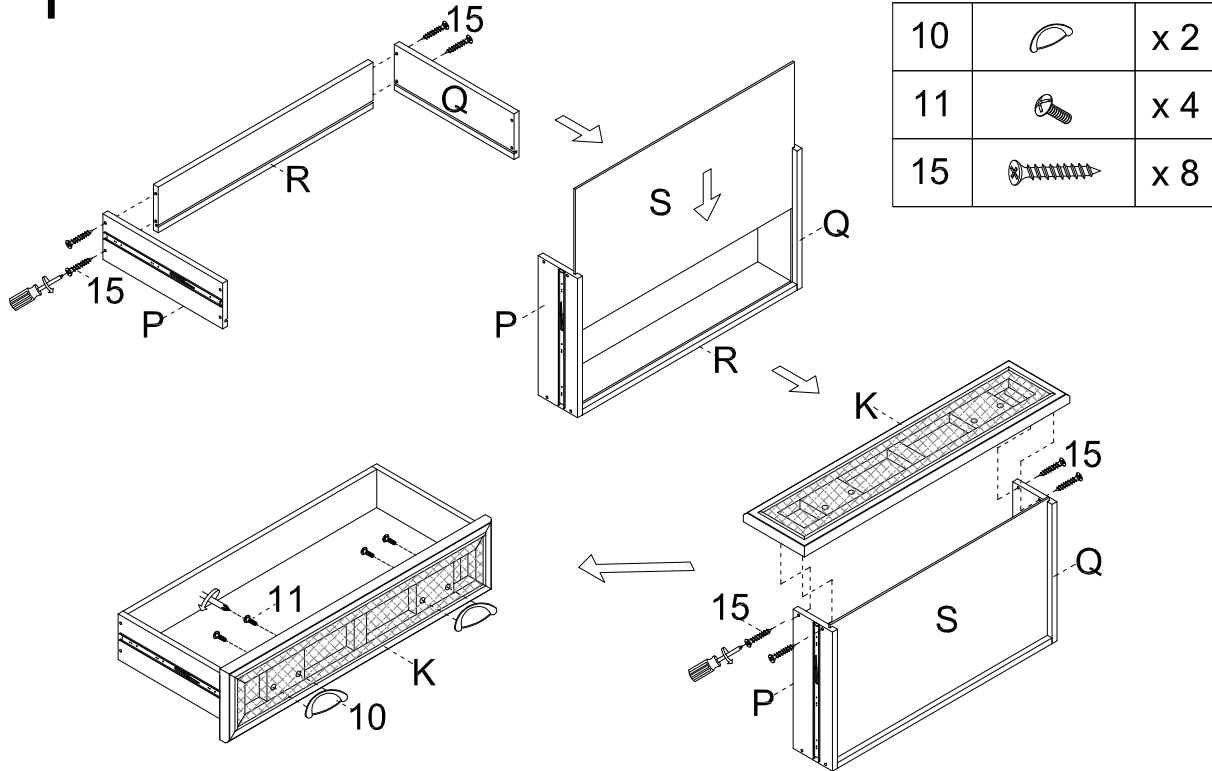
<p>1 <span style="float: right;">x2</span></p>  <p>Cam bolt</p>	<p>2 <span style="float: right;">x2</span></p>  <p>Cam lock</p>	<p>3 <span style="float: right;">x20</span></p>  <p>Wood dowel</p>
<p>4 <span style="float: right;">x16</span></p>  <p>Bolt <math>\phi 1/4" \times 1-1/4"</math></p>	<p>5 <span style="float: right;">x12</span></p>  <p>Spring washer</p>	<p>6 <span style="float: right;">x12</span></p>  <p>Flat washer <math>\phi 1/4" \times 16\text{mm}</math></p>
<p>7 <span style="float: right;">x1</span></p>  <p>Allen wrench</p>	<p>8 <span style="float: right;">x4</span></p>  <p>Knobs</p>	<p>9 <span style="float: right;">x4</span></p>  <p>Bolt <math>\phi 5/32" \times 25\text{mm}</math></p>
<p>10 <span style="float: right;">x2</span></p>  <p>Handle</p>	<p>11 <span style="float: right;">x4</span></p>  <p>Bolt <math>\phi 5/32" \times 12\text{mm}</math></p>	<p>12 <span style="float: right;">x16</span></p>  <p>Shelf pin</p>

# Assembly | Asambla | Assemblage

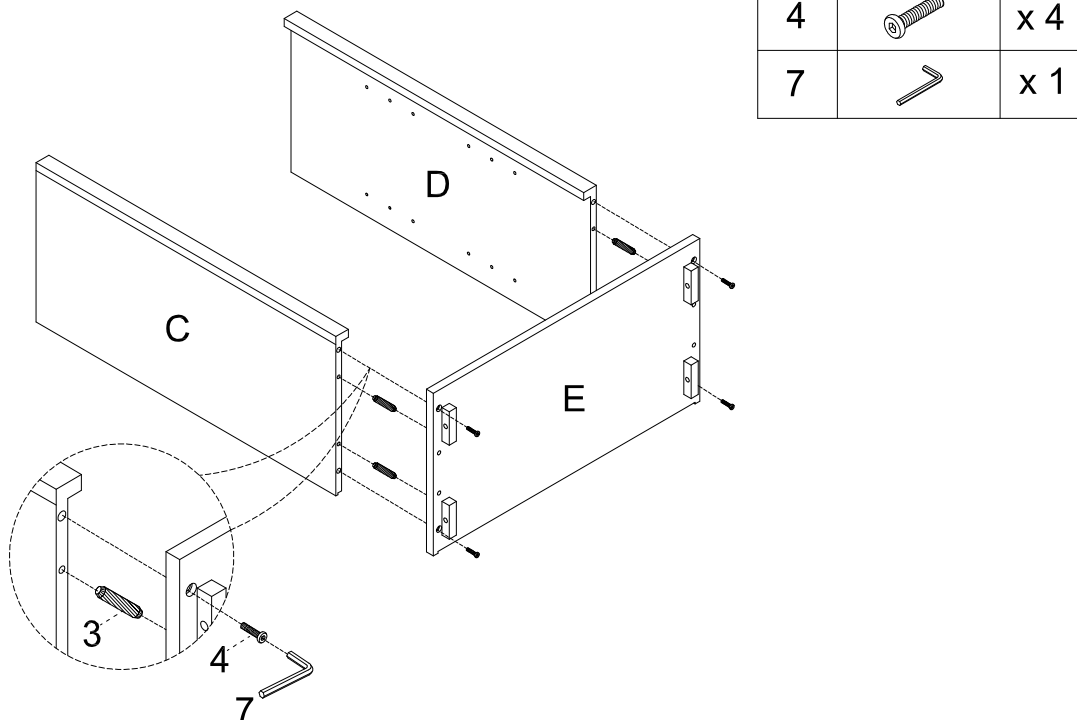
<p>13 <span style="float: right;">x2</span></p>  <p>Magnet</p>	<p>14 <span style="float: right;">x40</span></p>  <p>Screw <math>\phi 3 \times 14 \text{mm}</math></p>	<p>15 <span style="float: right;">x8</span></p>  <p>Screw <math>\phi 8 \times 25 \text{mm}</math></p>
<p>16 <span style="float: right;">x1</span></p>  <p>Tilting prevent screw</p>		

# Assembly | Asambla | Assemblage

1

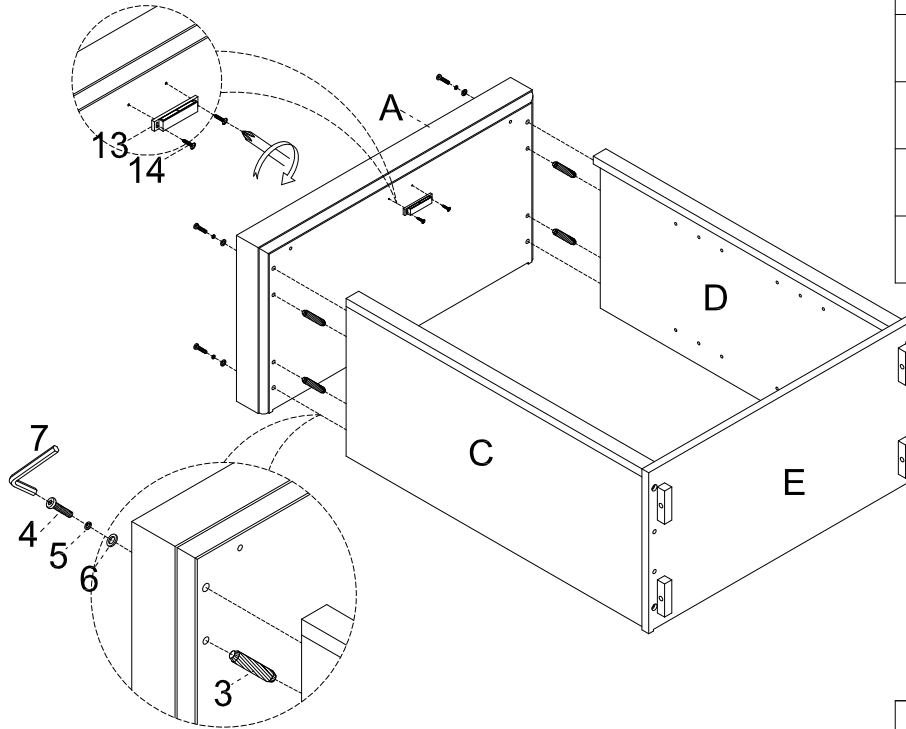


2



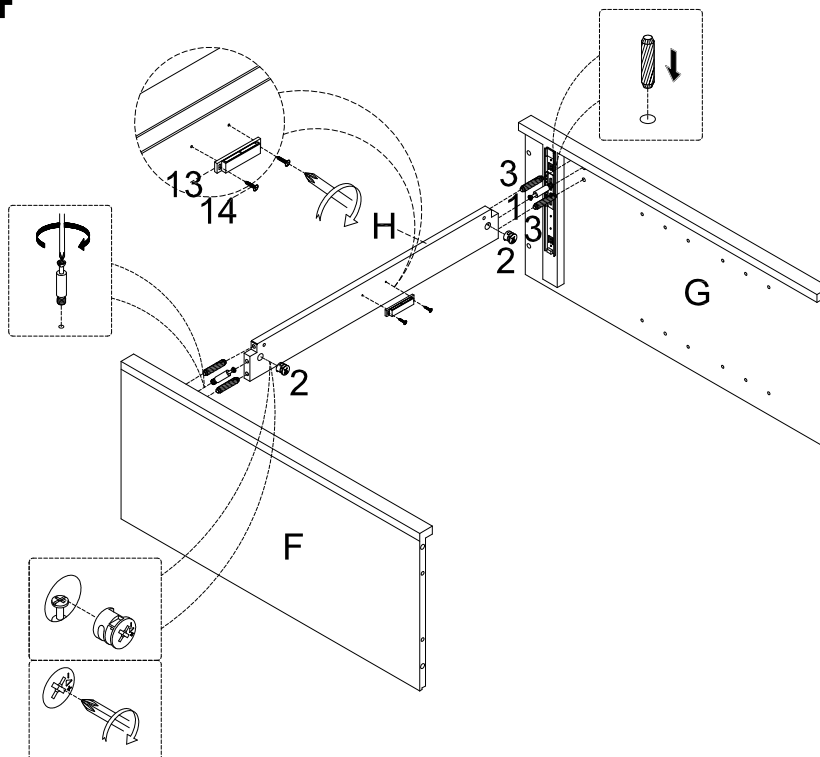
# Assembly | Asambla | Assemblage

3



3		x 4
4		x 4
5		x 4
6		x 4
13		x 1
14		x 2

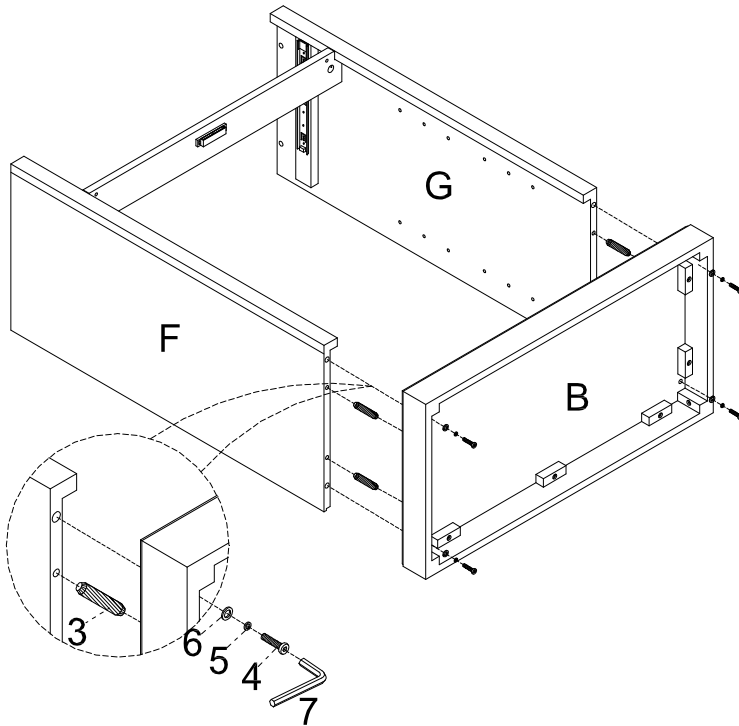
4







1		x 2
2		x 2
3		x 4
13		x 1
14		x 2

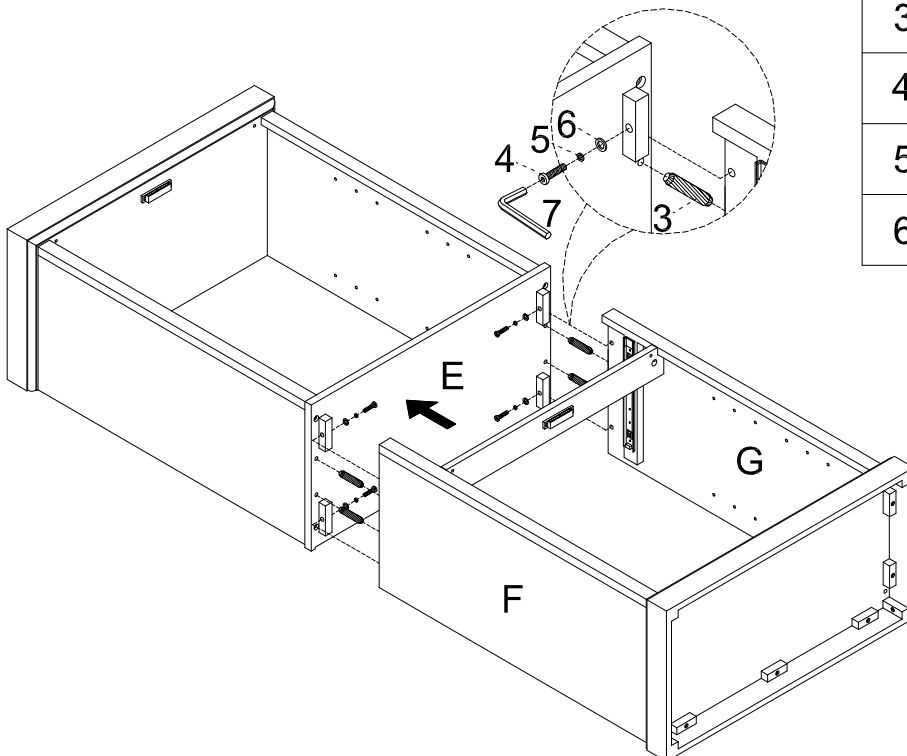
# Assembly | Asambla | Assemblage





5



3		x 4
4		x 4
5		x 4
6		x 4

6

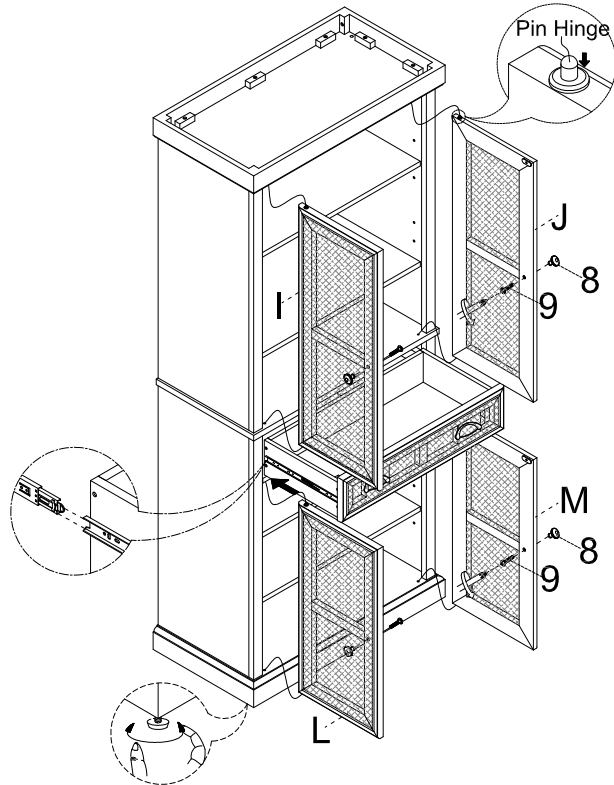




3		x 4
4		x 4
5		x 4
6		x 4



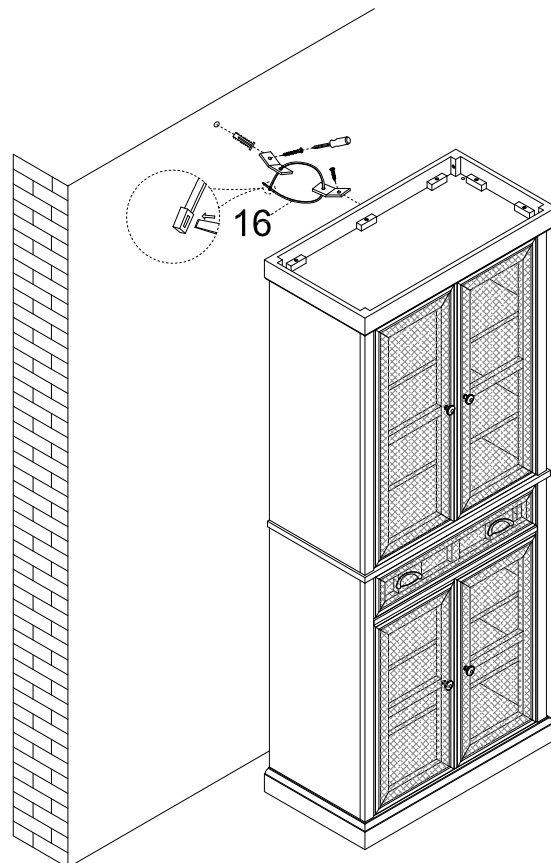
# Assembly | Asambla | Assemblage

9



8		x 4
9		x 4

10



# Assembly | Asambllea | Assemblage

Please move glider to the front end before inserting male glide

