

# Shoe Cabinet

Product ID. QBT47



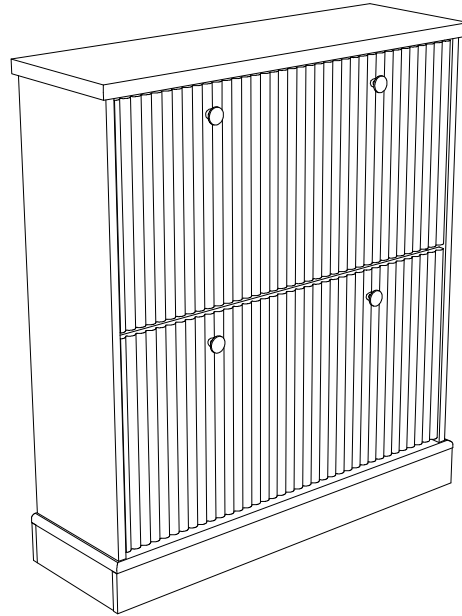
Scan for Support  
[support@garvee.com](mailto:support@garvee.com)



Distributed by  
**GARVEE**.com

V251008X3EJ

# Assembly Instruction



## Trouble shooting:

**Missing / Wrong / Broken parts and installation issues**



**Send email with your question pic, order No. and  
screenshot of order details to:  
[support@garvee.com](mailto:support@garvee.com)**



**Respond within 24 hours**



**Issue resolved**

**THIS INSTRUCTION BOOKLET CONTAINS IMPORTANT SAFETY INFORMATION.  
PLEASE READ AND KEEP FOR FUTURE REFERENCE.**



1. Check all the components & screws are intact before assembling .
2. If you notice any pieces are missing or damaged please do not assemble and contact us immediately .
3. Please send an email with you order number and issues,we will respond within 24 hours.

**Customer Service Team :[support@garvee.com](mailto:support@garvee.com)**

**Two people are needed**

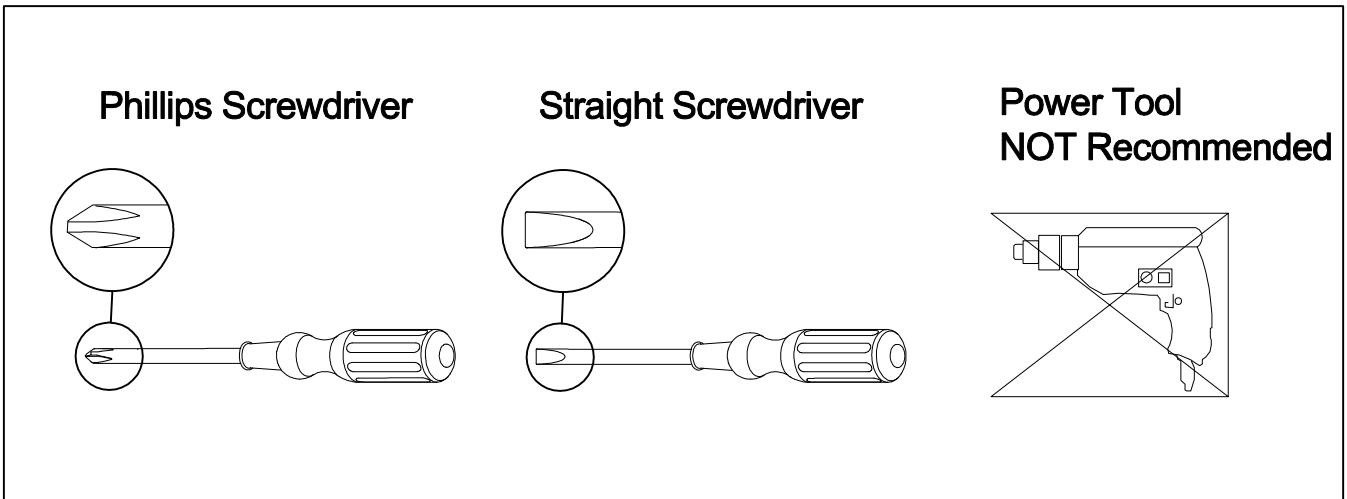


**IMPORTANT SAFETY INFORMATION**

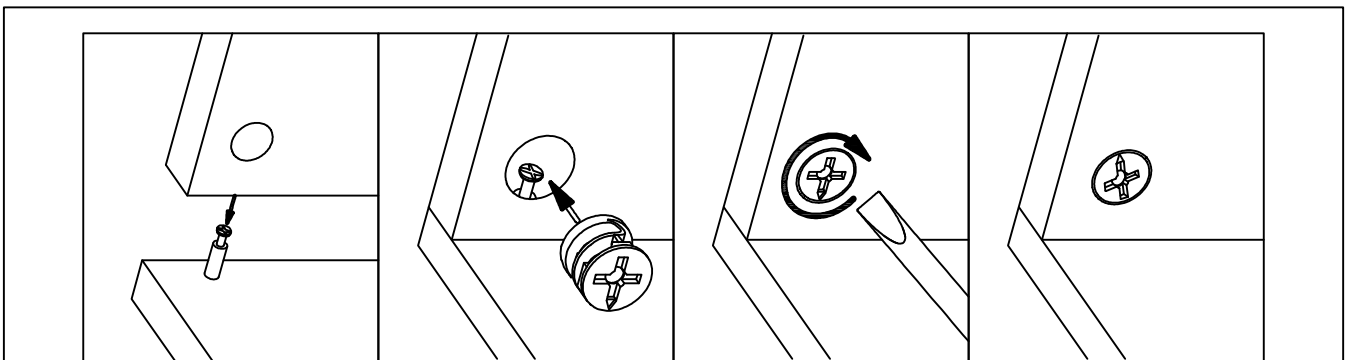
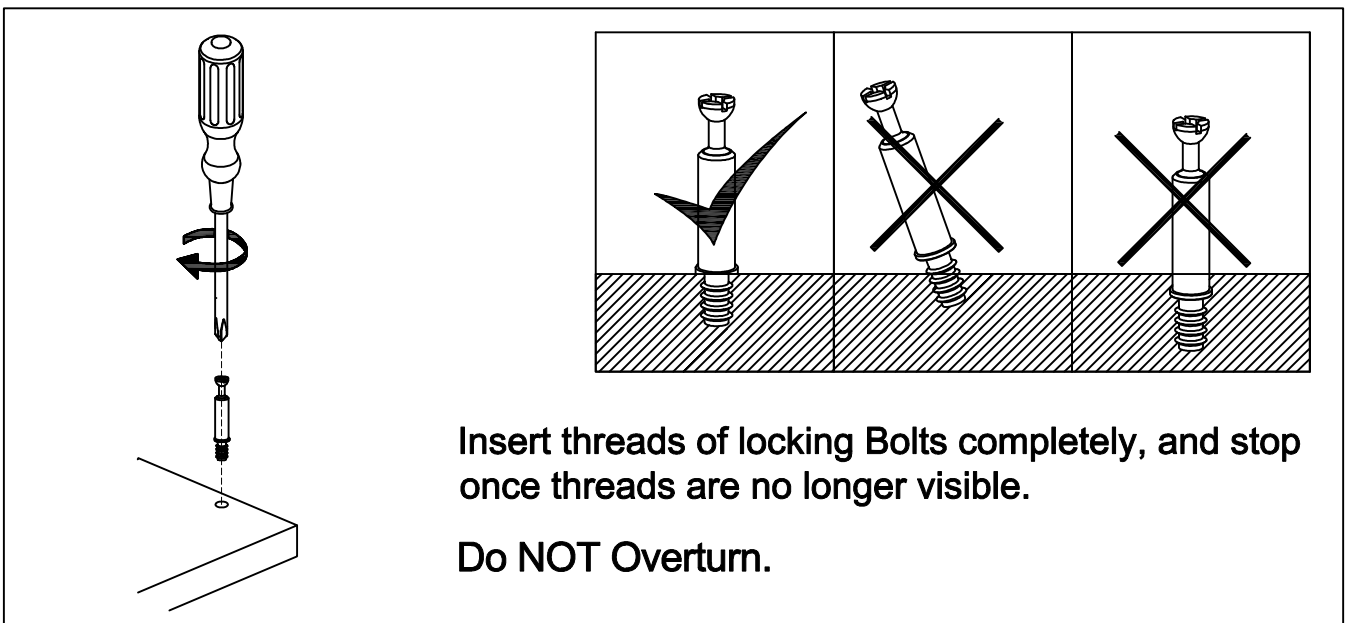
- Please carefully read the following instructions and caution warnings before assembling the product.
- Following this guide will ensure that you install, use and maintain the product properly.
- Please keep this installation and user manual/instructions for future reference in case you need to disassemble the product.
- Never allow children to climb onto the product. Ensure that you have special safety measures when children are around on their own.
- Be sure to check that all parts of the product are intact after you open the package.
- Do not assemble if you notice serious damage such as cracks or bends.
- During installation, please use work gloves for hand safety.
- Please assemble the unit on carpeted floor or the flat cardboard box to avoid scratching the surface or your floor while assembling on the floor.
- To assemble, please use the complimentary installation tools (Phillips screwdriver).  
Pay more attention to the direction of components at each steps.
- Check the stability of the bolts, tighten up them after one or more months whenever required.
- It is recommended that two people work together to assemble the product.

**RETURN POLICY**

- Please contact us directly within 30 days after receiving.
- Ensure the product is in a good condition with the original box and all original certificates of purchase, manuals, and accessories attached.

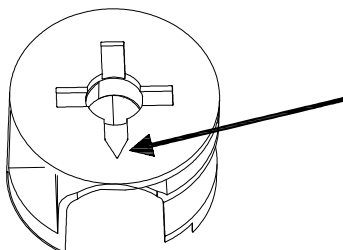


**To ensure proper assembly, please read the following guides:**



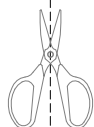
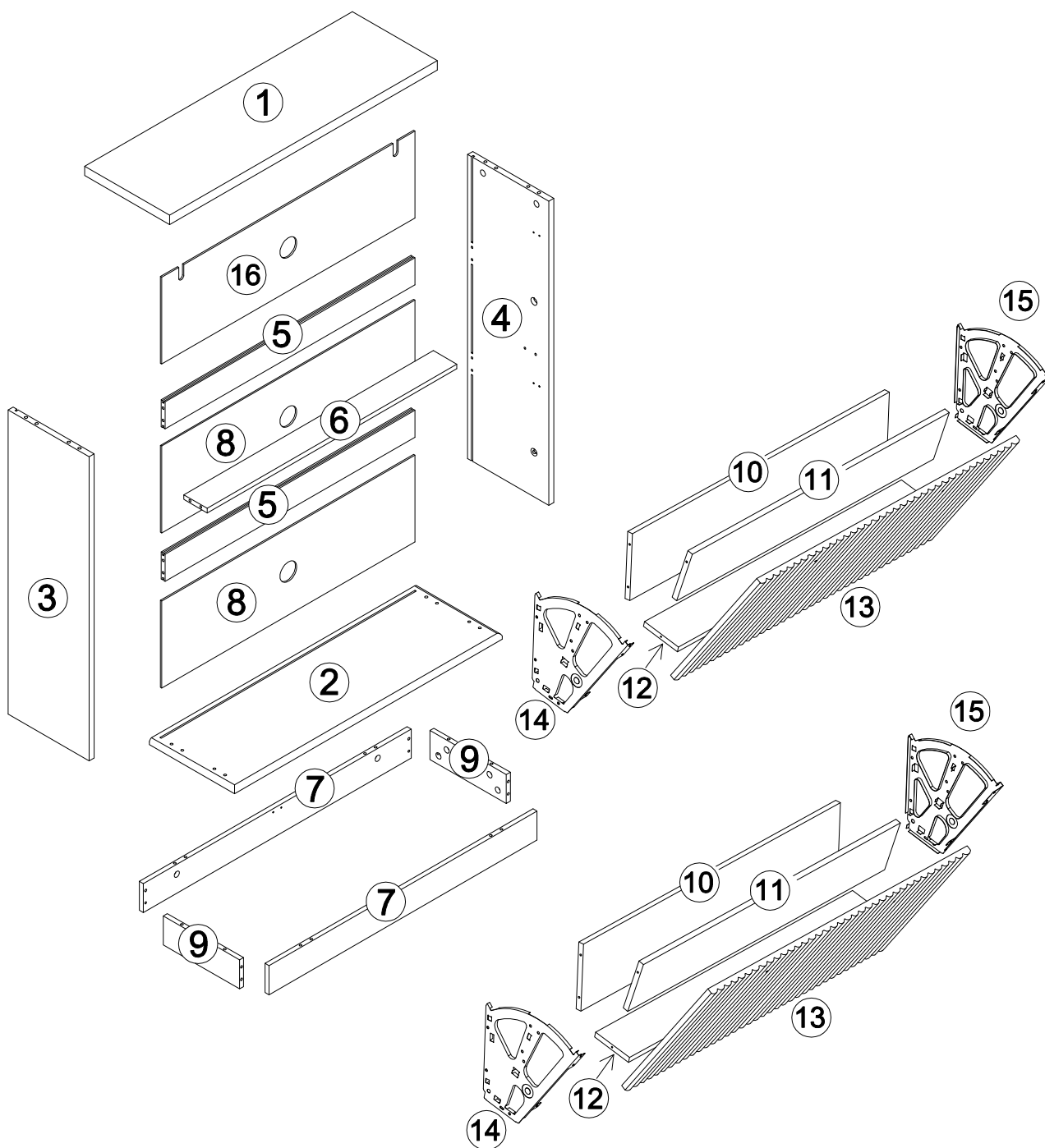
Reference this guide when assembling all Cam Locks.

Do NOT Overturn.

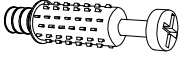
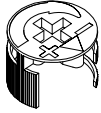


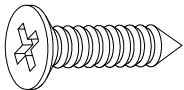
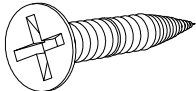
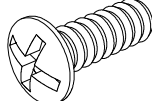

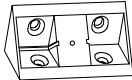
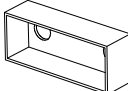
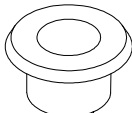
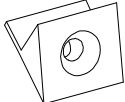
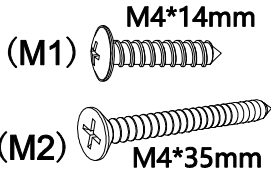
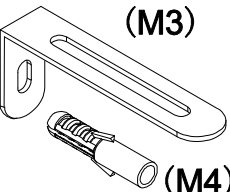
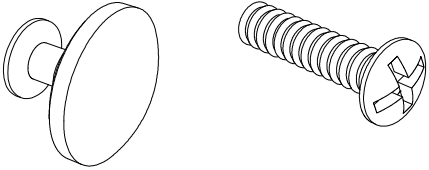


Notice:  
"Pointer Arrow" on cam face the Bolt  
when inserting the cam.

Part Nr.	Qty	Part Nr.	Qty	Part Nr.	Qty
1	1pc	2	1pc	3	1pc
4	1pc	5	2pcs	6	1pc
7	2pcs	8	2pcs	9	2pcs
10	2pcs	11	2pcs	12	2pcs
13	2pcs	14	2pcs	15	2pcs
16	1pc				

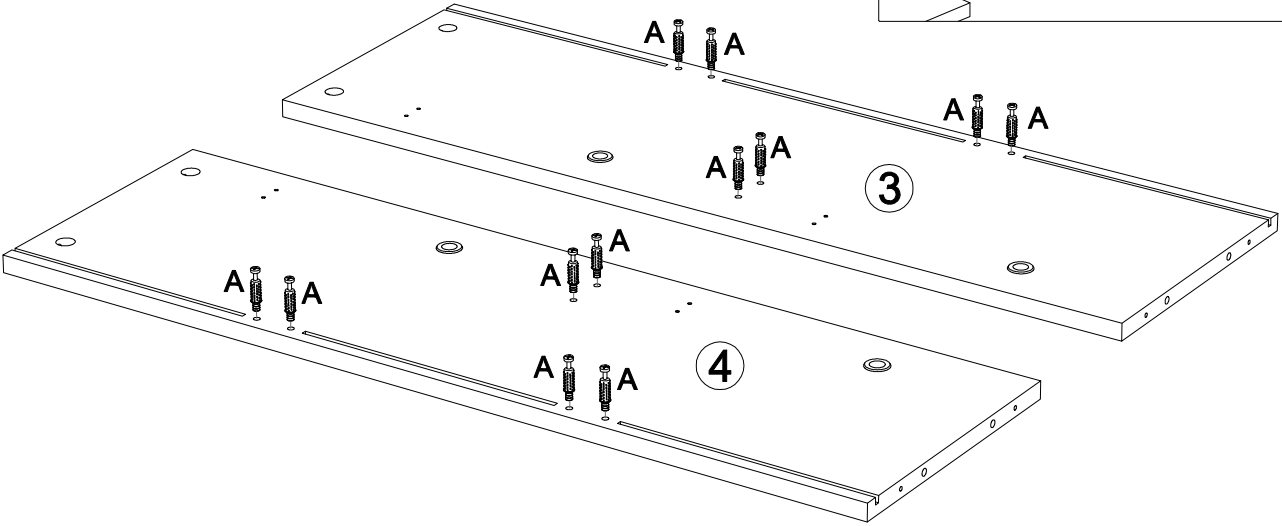
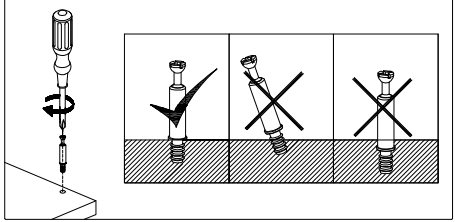
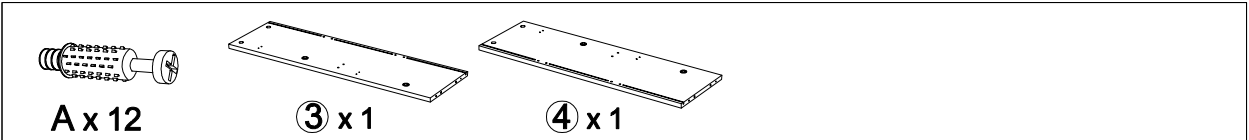


Please cut if you need, but keep for the future use after assembling

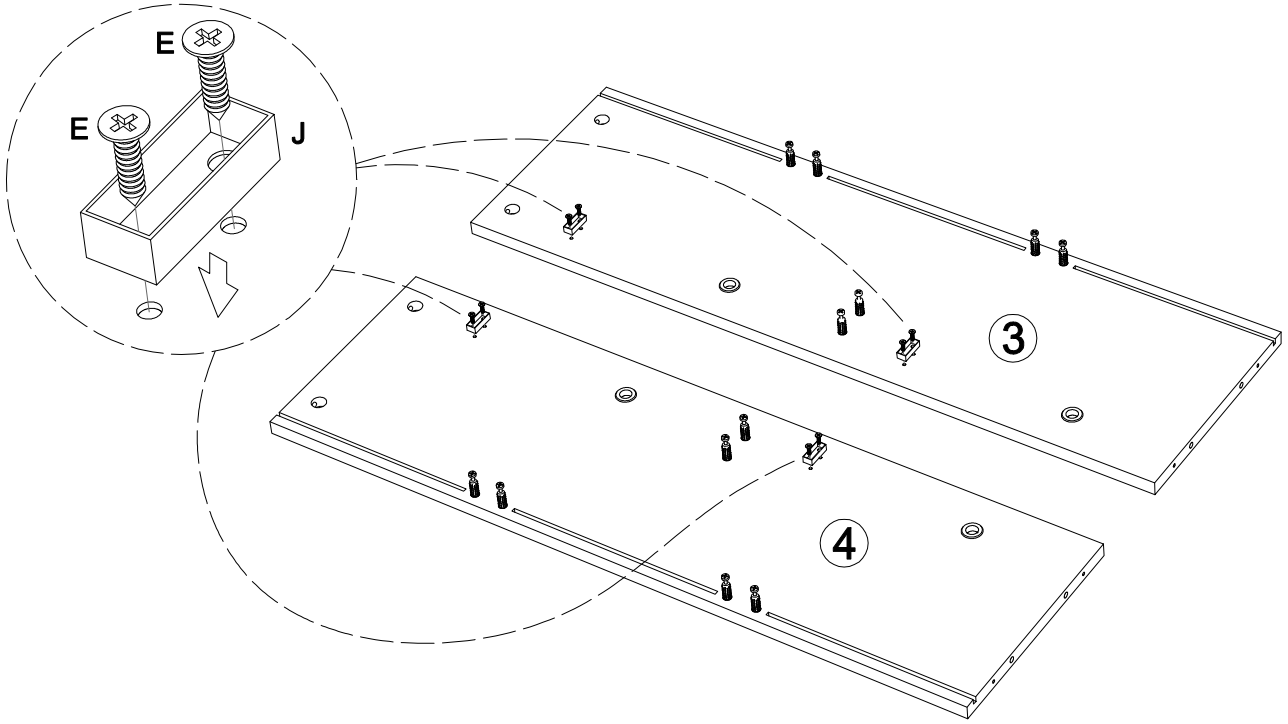
<p><b>A x 28+2</b></p>  <p><b>Ø6 x 34mm</b></p>	<p><b>B x 28+2</b></p>  <p><b>Ø15 x 10mm</b></p>	<p><b>C x 16+1</b></p>  <p><b>Ø6 x 30mm</b></p>	<p><b>D x 4</b></p>  <p><b>M5 x 38mm</b></p>
<p><b>E x 44+4</b></p>  <p><b>M3.5 x 12mm</b></p>	<p><b>F x 12+1</b></p>  <p><b>M3.5 x 14mm</b></p>	<p><b>G x 4</b></p>  <p><b>M4 x 8mm</b></p>	<p><b>H x 1</b></p> 
<p><b>I x 2</b></p> 	<p><b>J x 4</b></p> 	<p><b>K x 4</b></p> 	<p><b>L x 12</b></p> 
<p><b>M x 2</b></p>  <p><b>M4*14mm (M1)</b> <b>M4*35mm (M2)</b></p>  <p><b>(M3)</b> <b>(M4)</b></p>		<p><b>N x 4</b></p> 	

**PRODUCT ASSEMBLY**

**1**

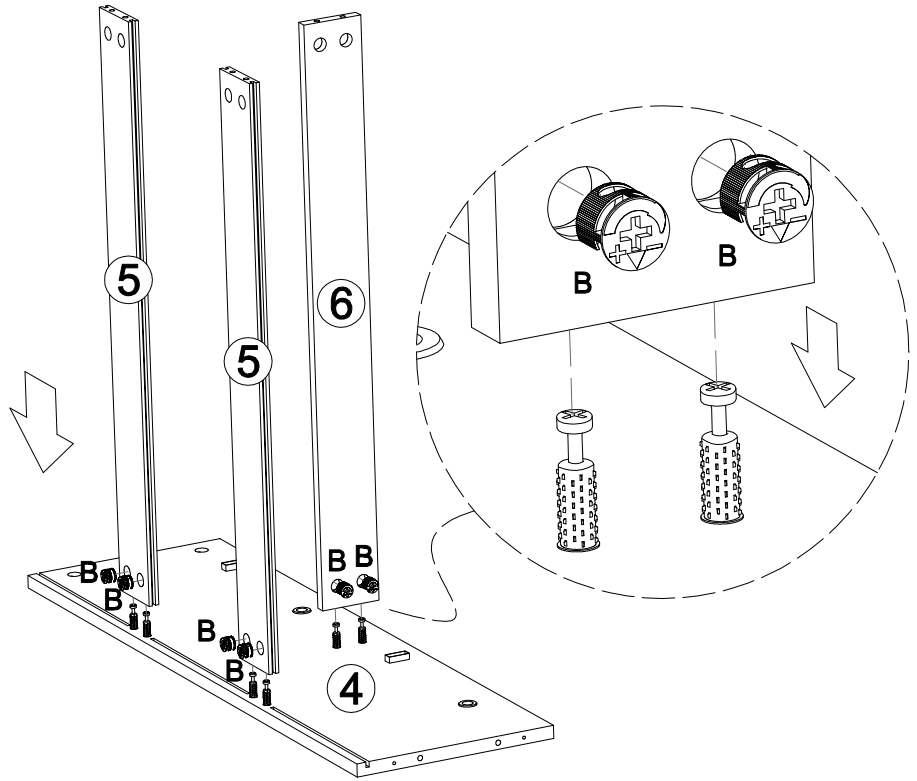
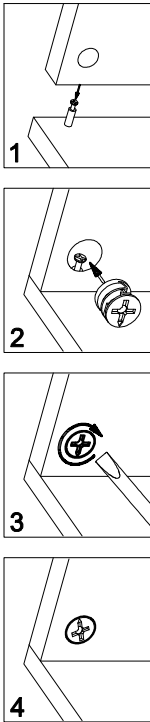
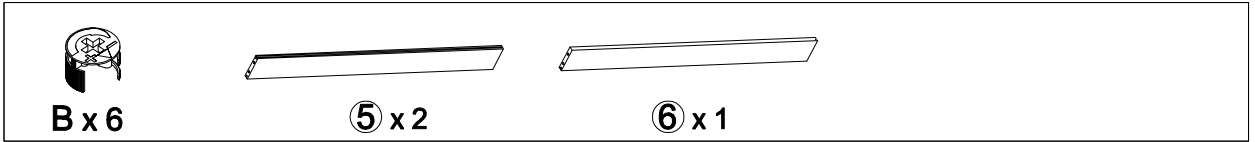


**2**

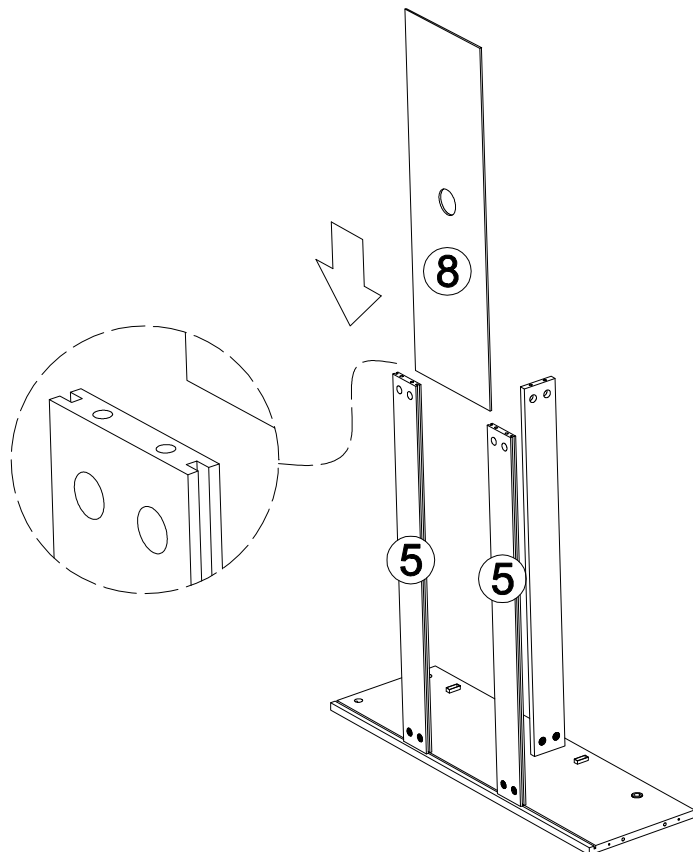


PRODUCT ASSEMBLY

3



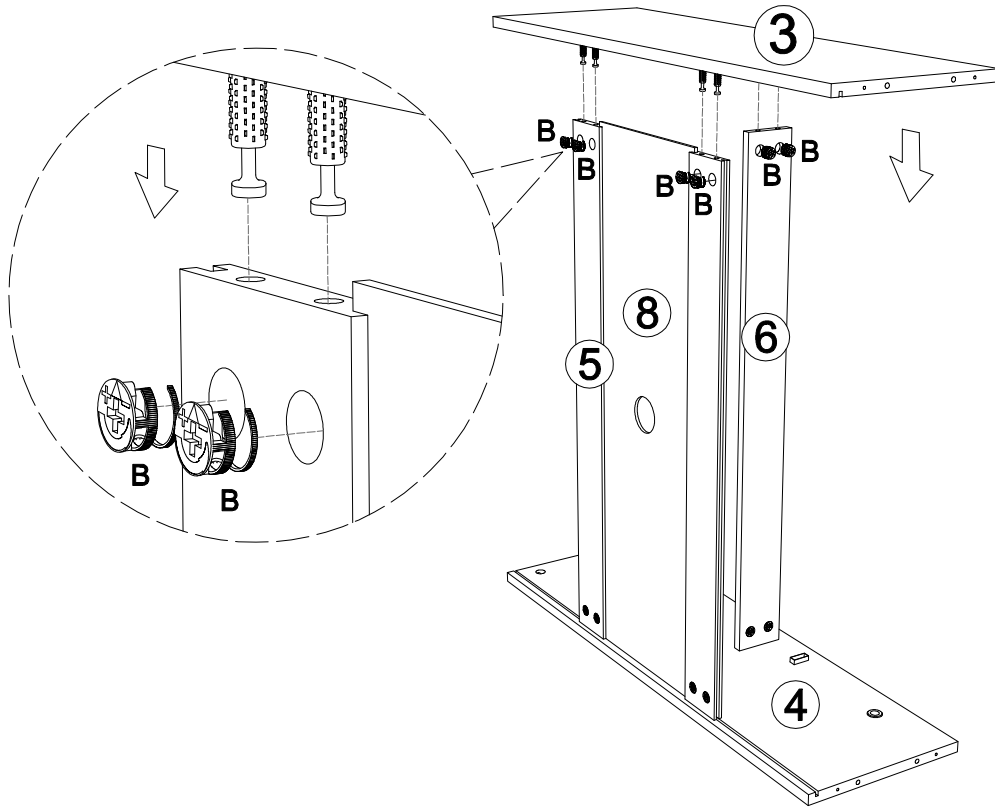
4



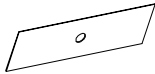
5



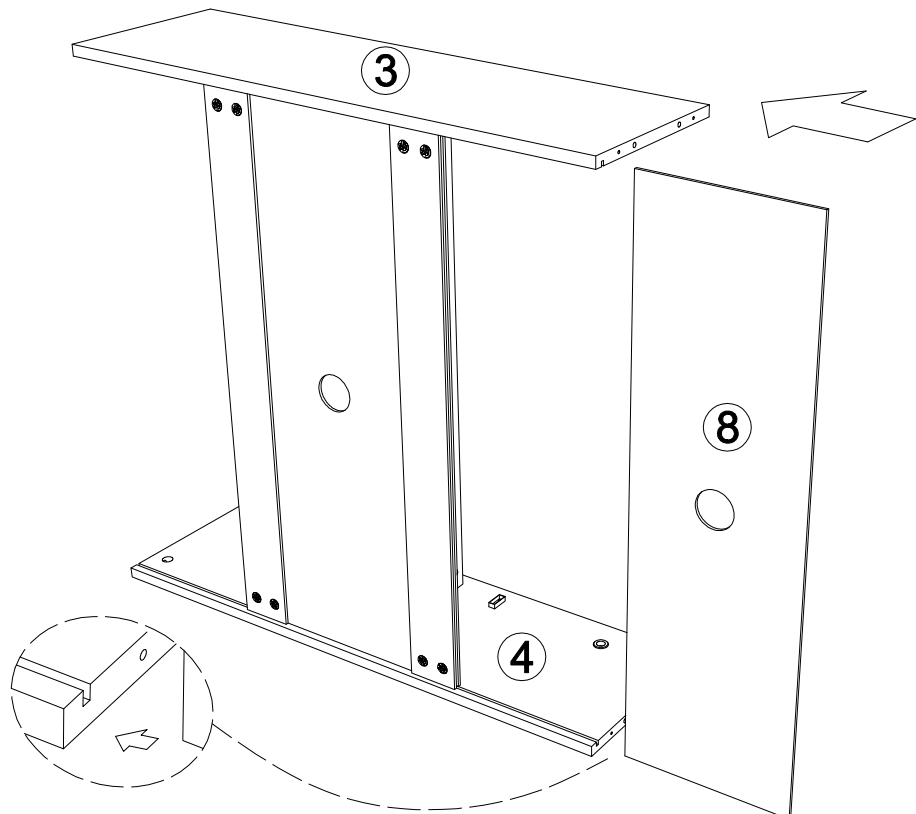
B x 6



6

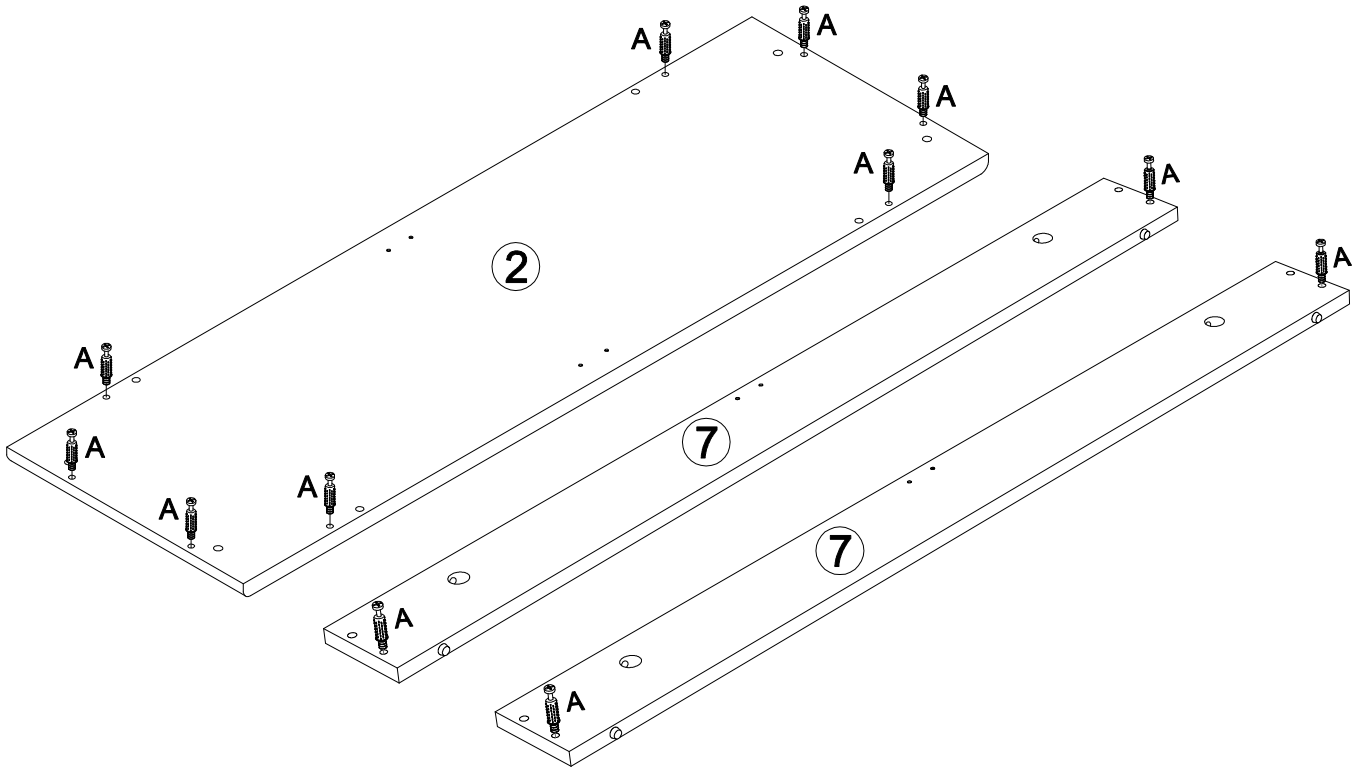
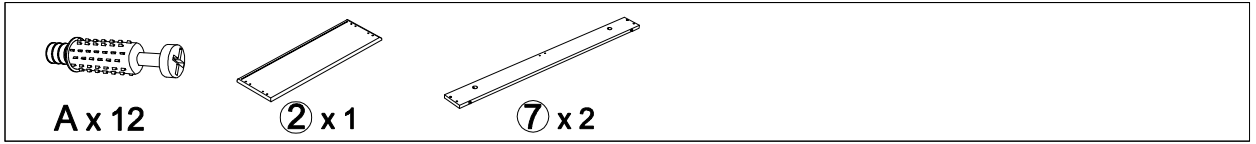


8 x 1

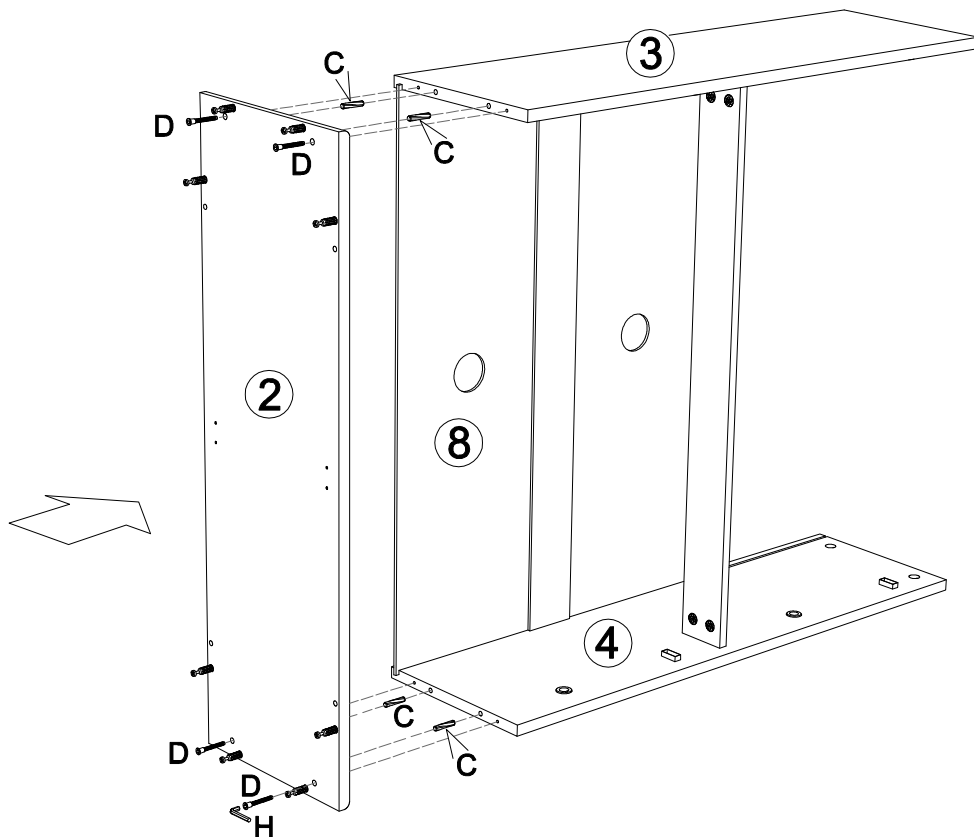
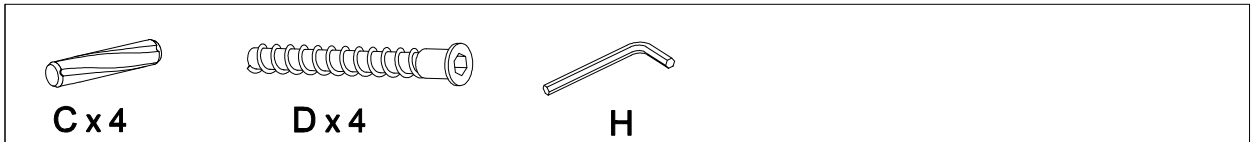


PRODUCT ASSEMBLY

7

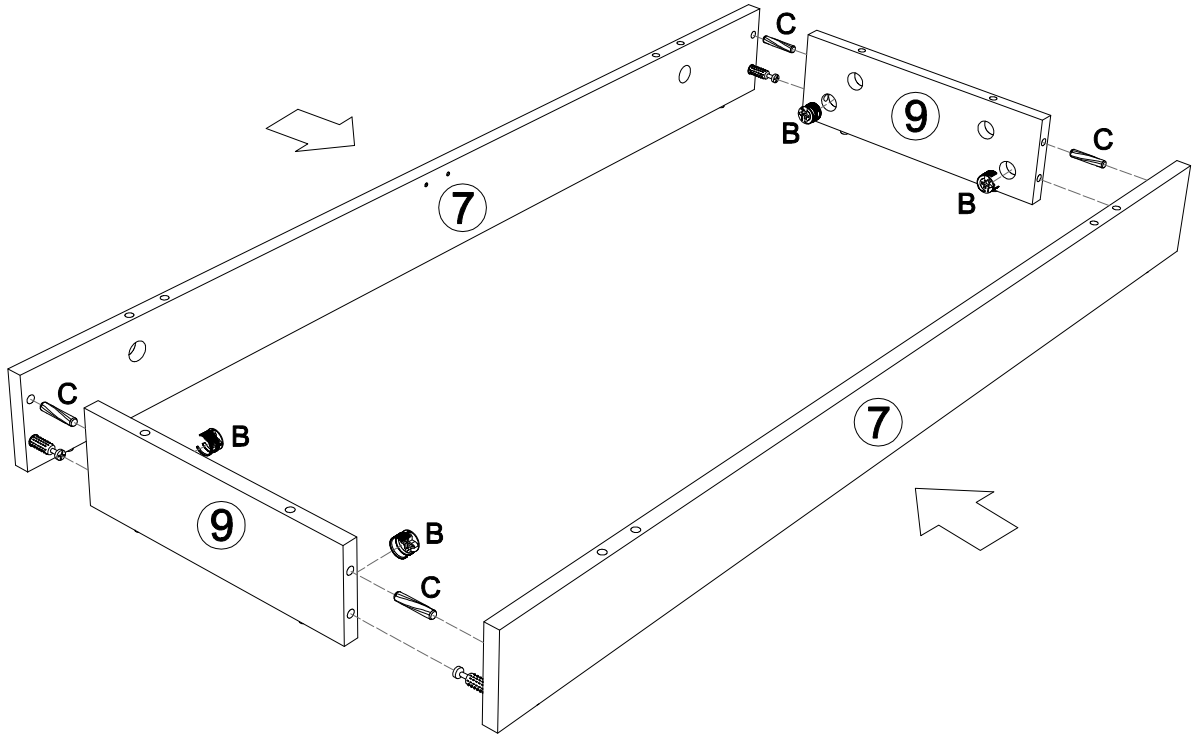
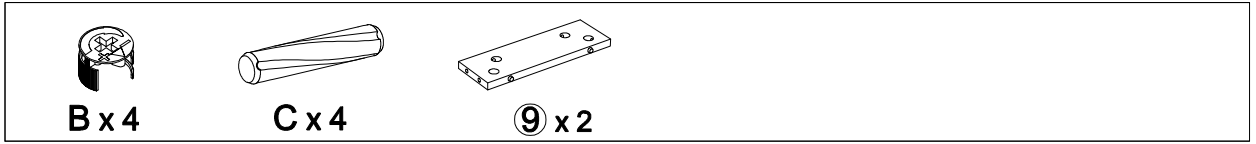


8

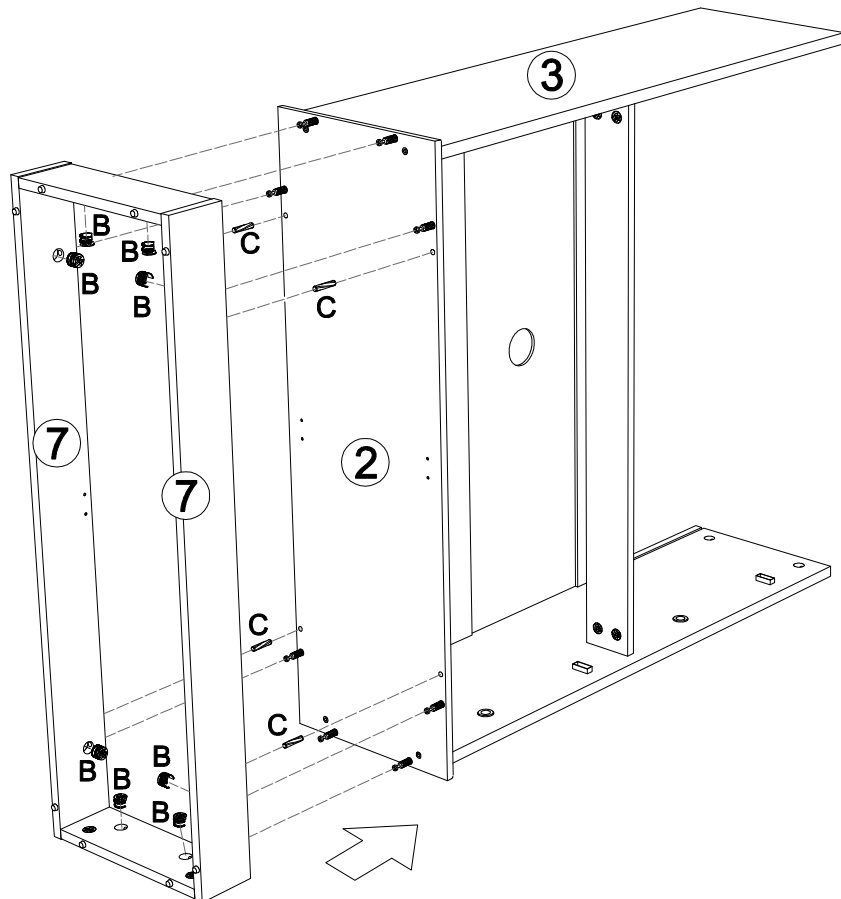
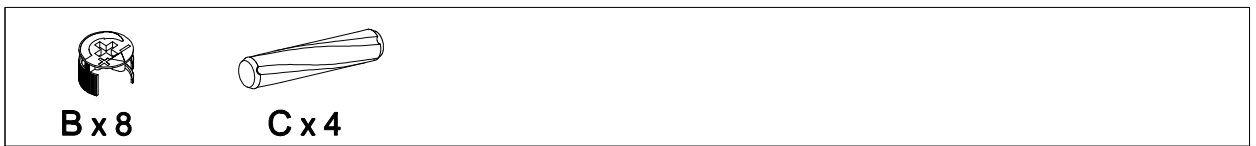


PRODUCT ASSEMBLY

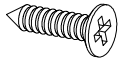
9



10



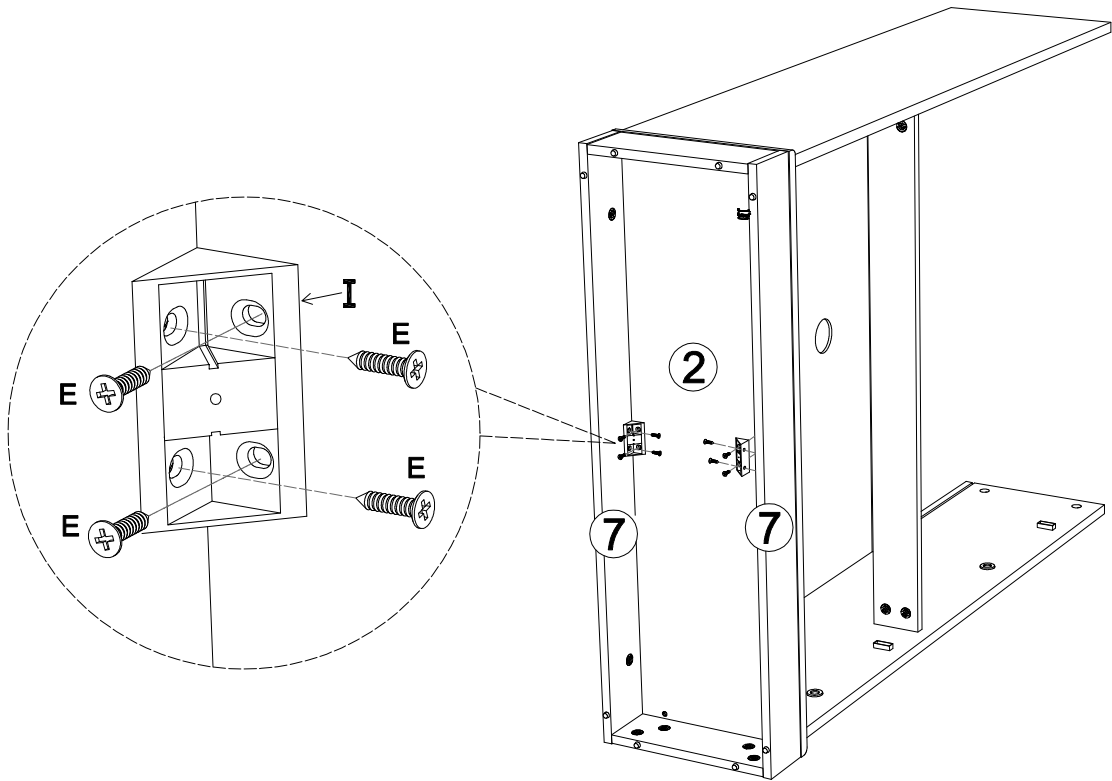
11



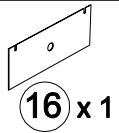
E x 8



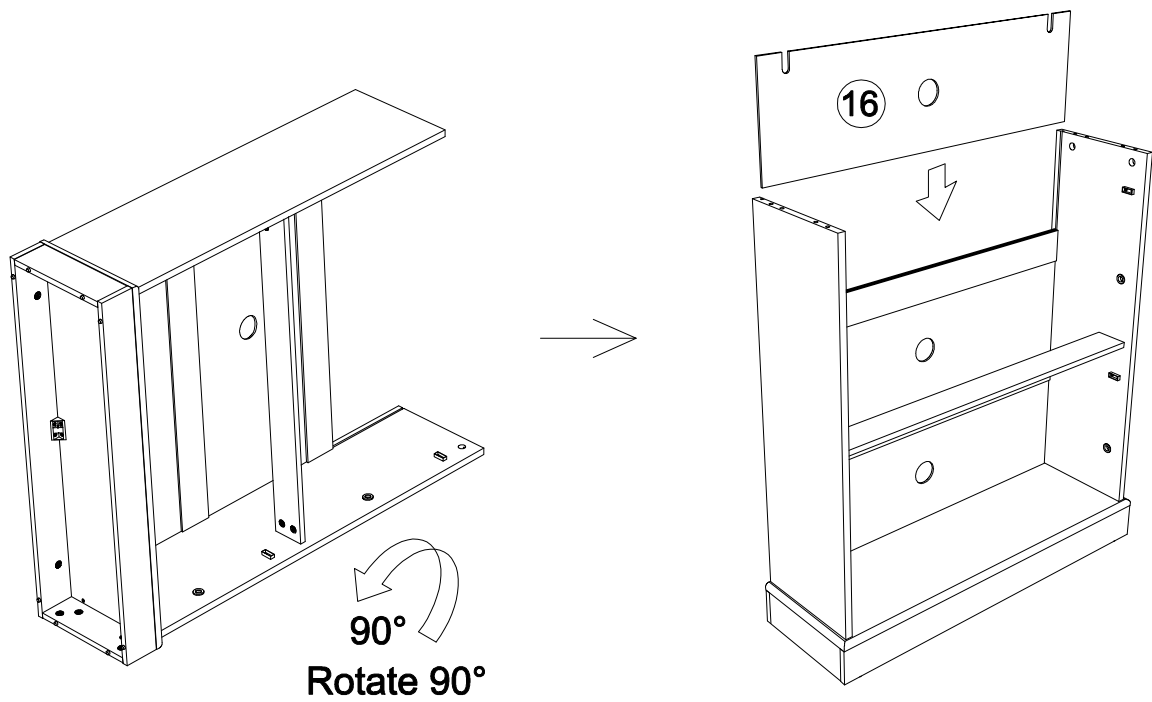
I x 2



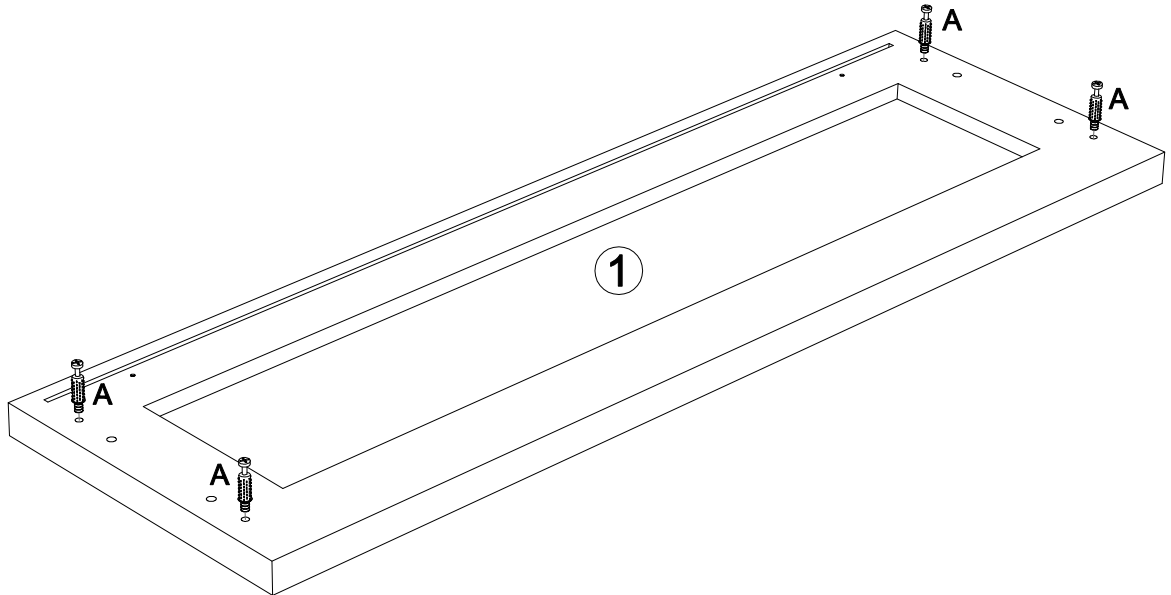
12



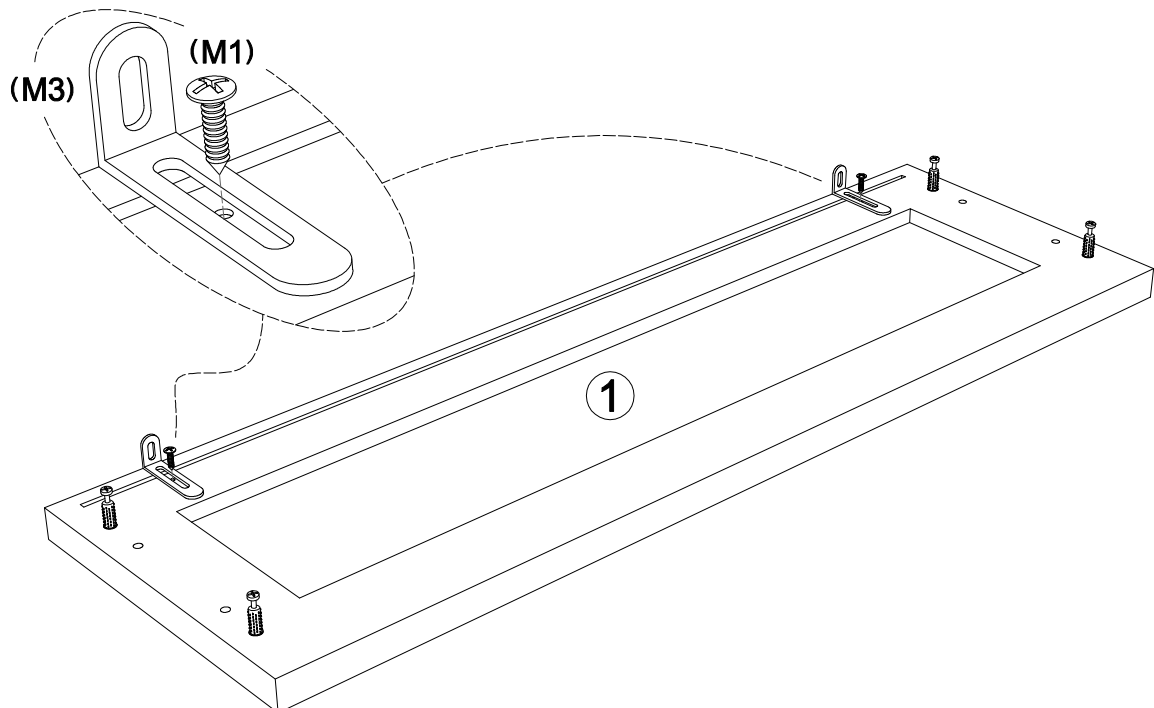
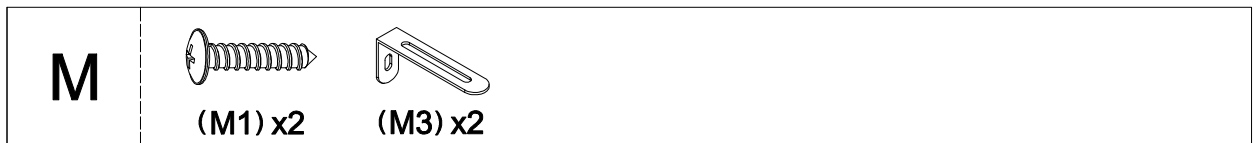
16 x 1



13



14



Do not fully tighten the adjustable wall bracket (M3) onto panel ① until the end of step 17

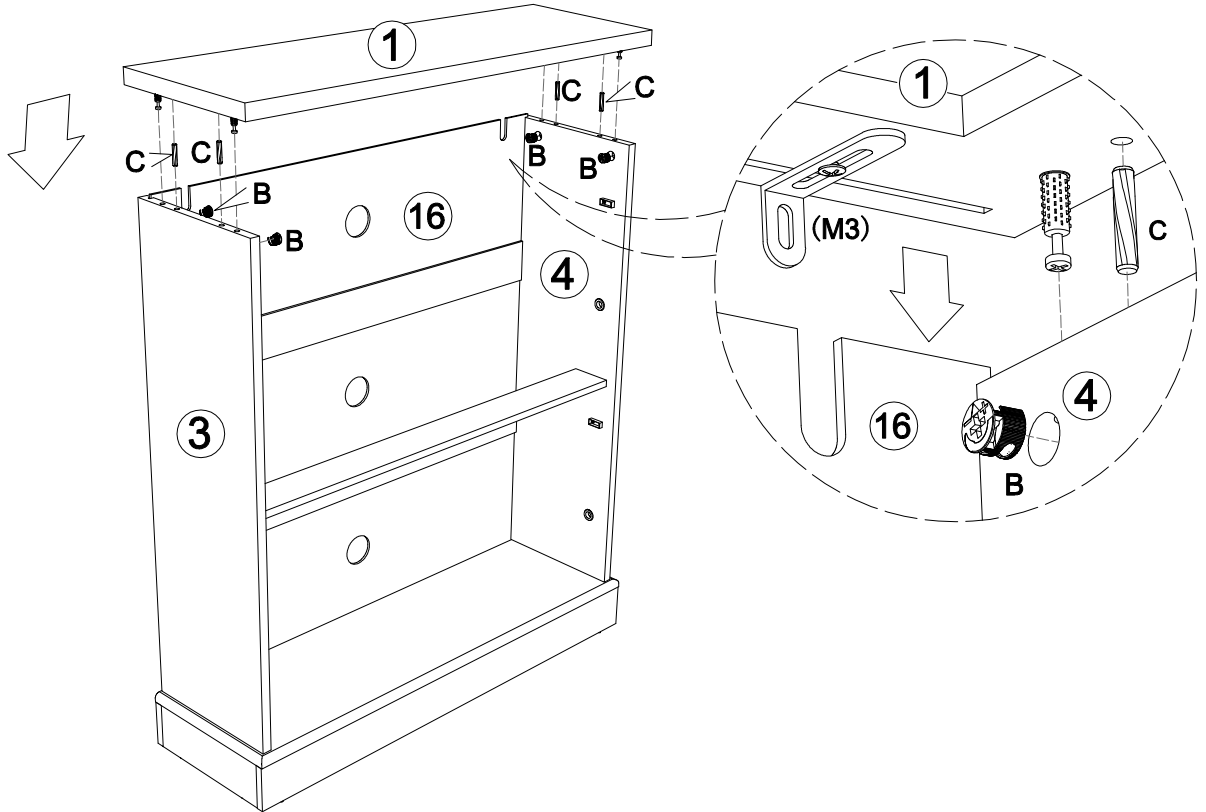
15



B x 4



C x 4



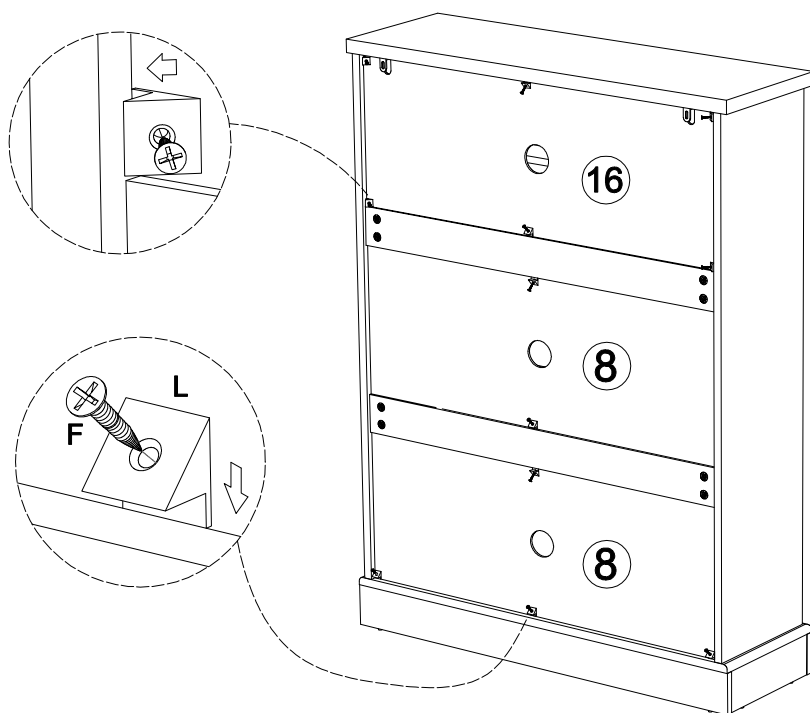
16



F x 12

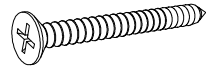


L x 12

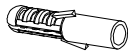


17

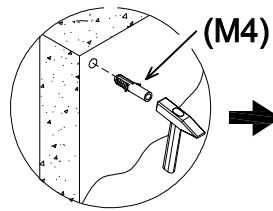
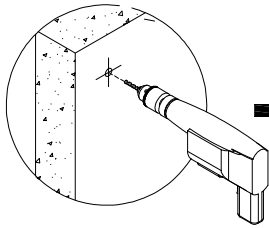
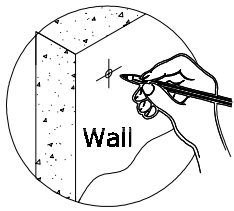
M



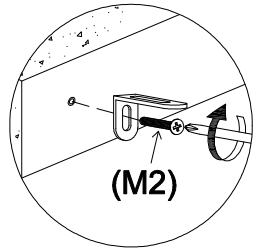
(M2) x2



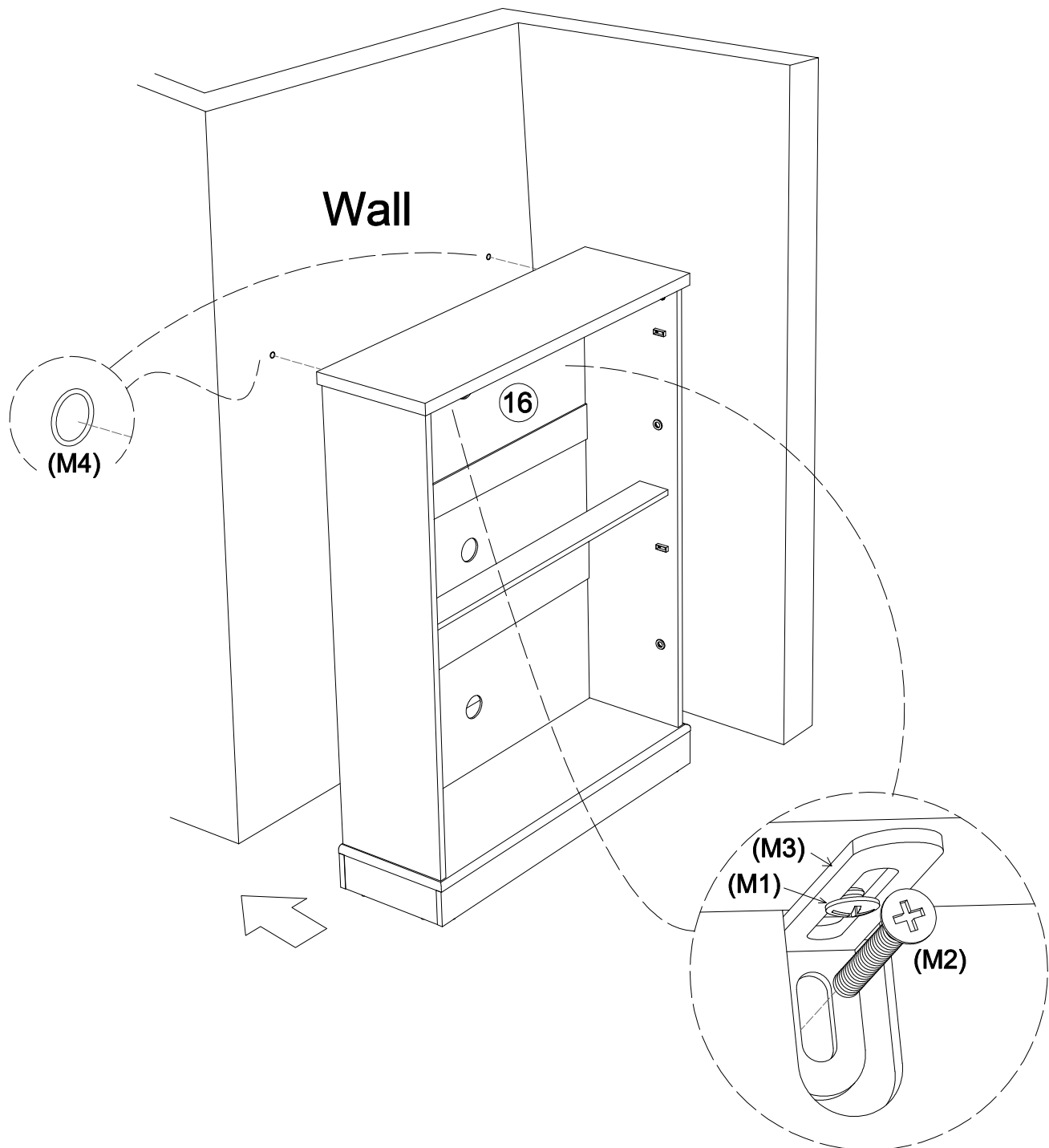
(M4) x2



(M4)



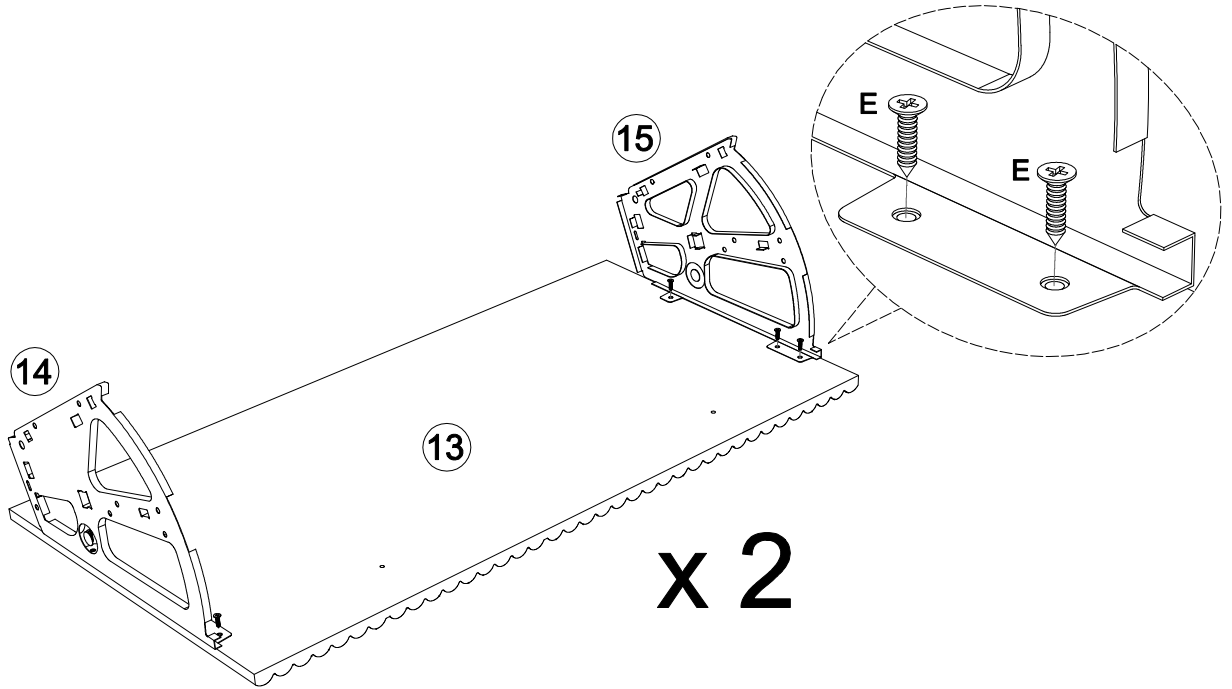
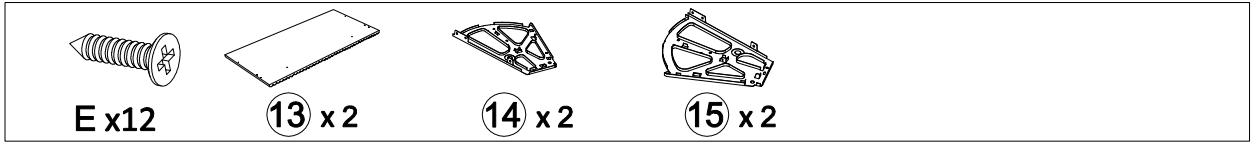
(M2)



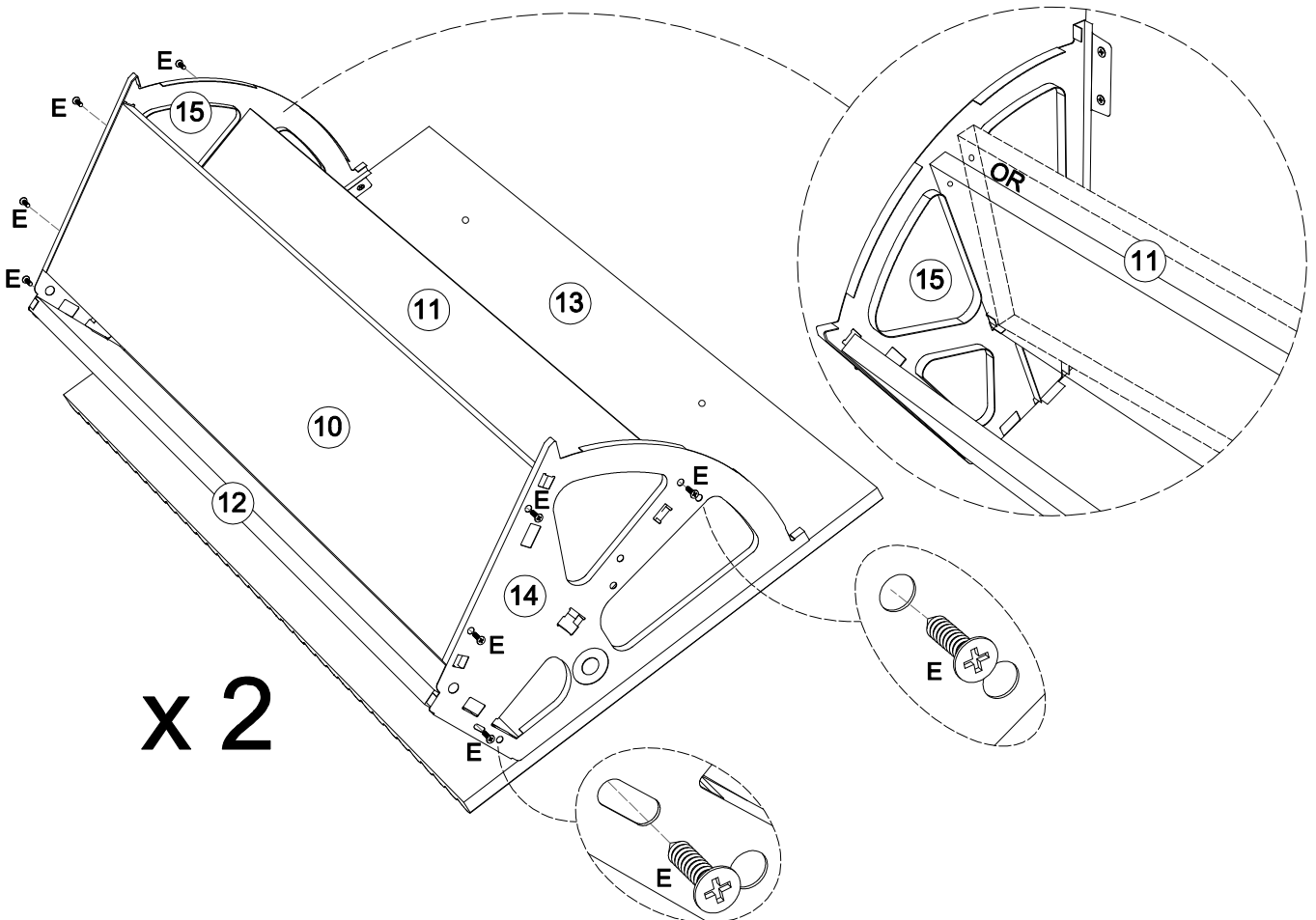
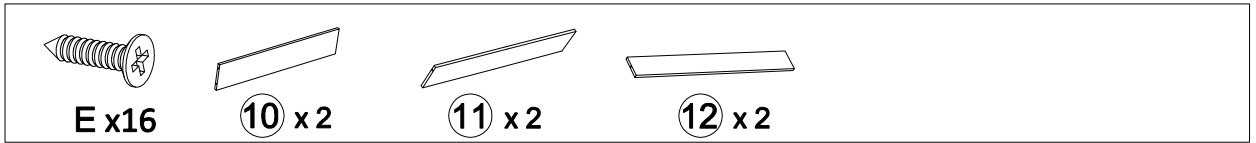
Fully tighten Screw # M1 after Screw # M2 tightened

PRODUCT ASSEMBLY

18



19



PRODUCT ASSEMBLY

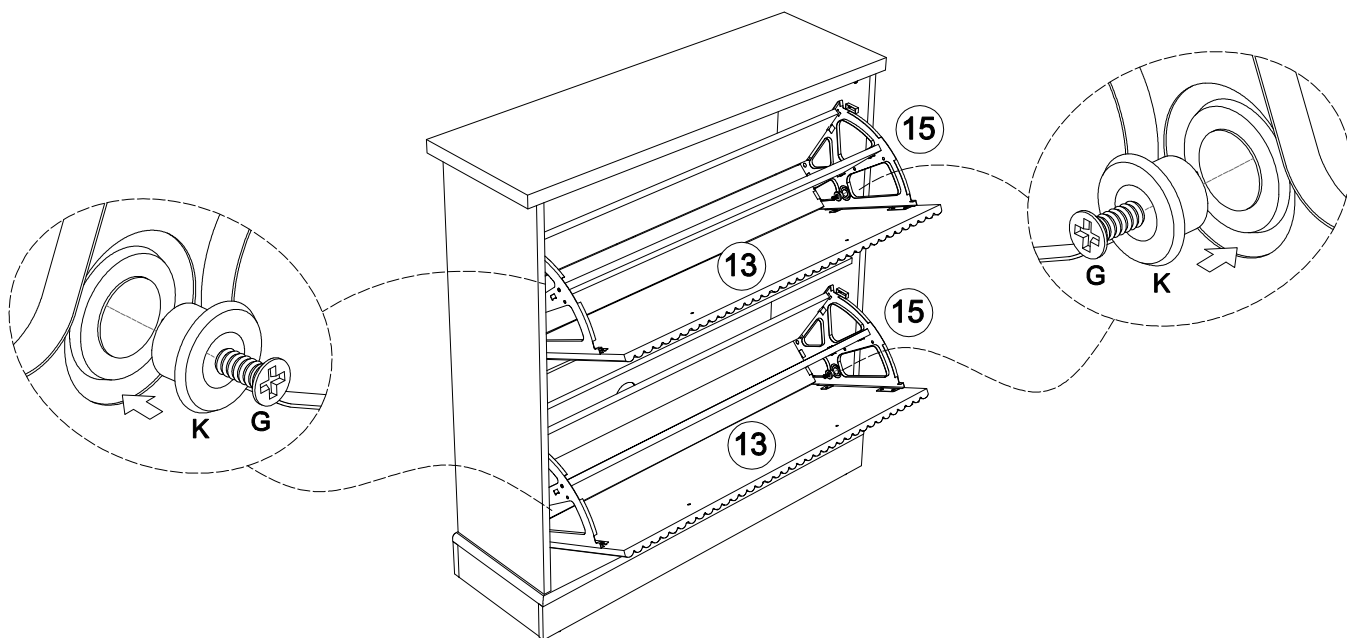
20



G x 4



K x 4



21



N x 4

