

ASSEMBLY INSTRUCTIONS



Fine Furniture for every stage of life

Sectional

ASSEMBLY INSTRUCTIONS

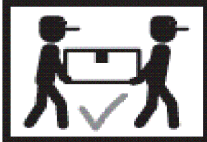
ASSEMBLY TIPS:

- 1.Remove hardware from box and sort by size.
- 2.Please check to see that all hardware and parts are present prior to start of assembly.
- 3.Please follow attached instructions in the same sequence as numbered to assure fast & easy assembly.



WARNING

- 1.Don't attempt to repair or modify parts that are broken or defective. Please contact the store immediately.
- 2.This product is for home use only and not intended for commercial establishments.



ASSEMBLY TIME

5 MINUTES

PARTS IDENTIFICATION

B1 (BOX 1)

A LEFT LAF SEAT



1PC

B LEFT LAF BACK



1PC

C CONSOLE BACK



1PC

D RIGHT LAF BACK



1PC

E ADAPTER



1PC

F POWER CABLE



1PC

B2 (BOX 2)

G WEDGE SEAT



1PC

H LEFT WEDGE BACK



1PC

I RIGHT WEDGE BACK



1PC

B3 (BOX 3)

J RIGHT RAF SEAT



1PC

K LEFT RAF BACK



1PC

L RIGHT RAF BACK



1PC

E ADAPTER



1PC

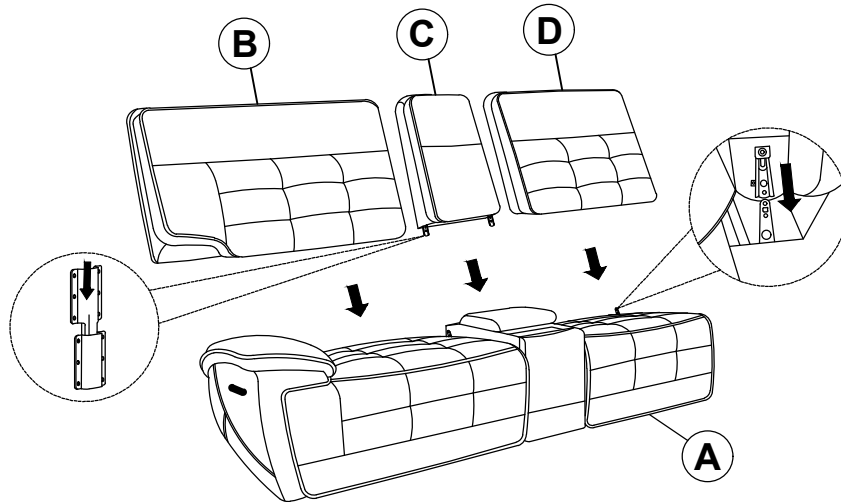
F POWER CABLE



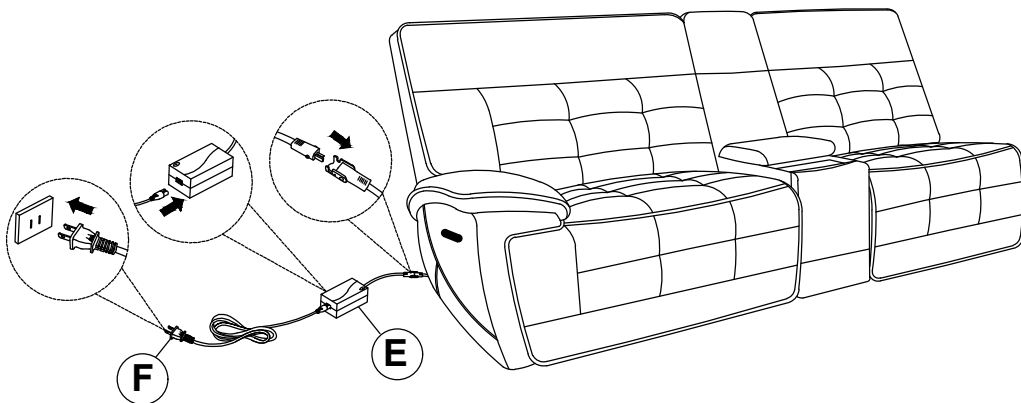
1PC

ASSEMBLY INSTRUCTIONS

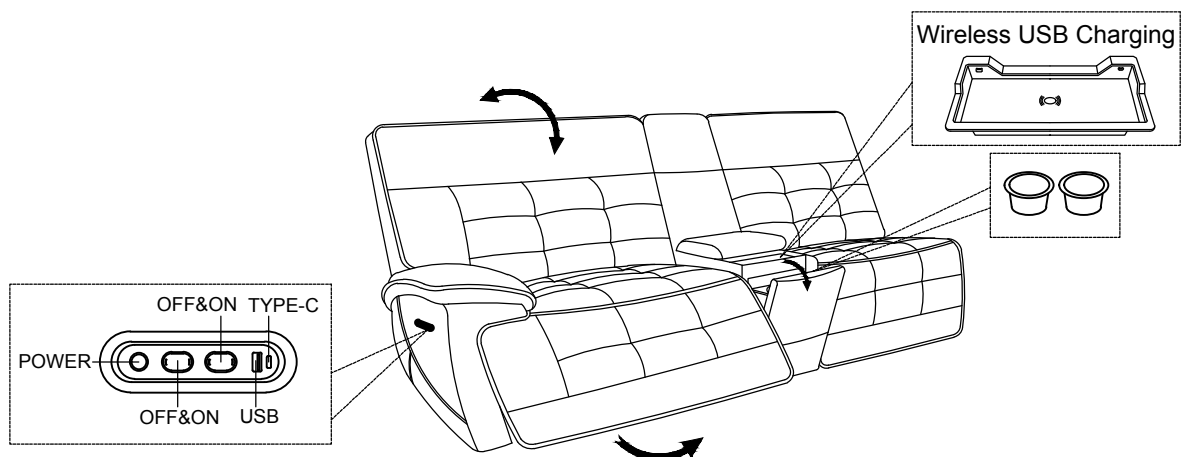
STEP 1



STEP 2

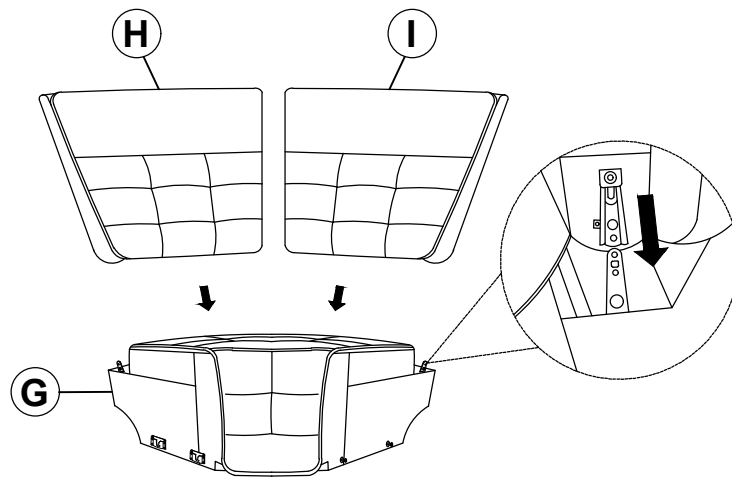


STEP 3

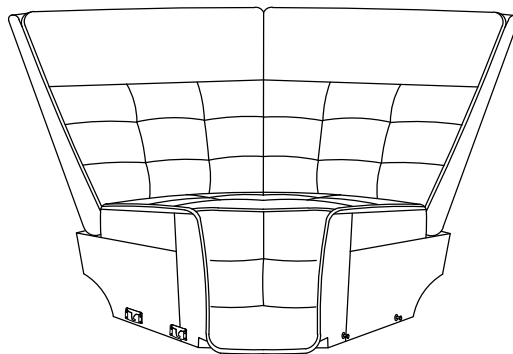


ASSEMBLY INSTRUCTIONS

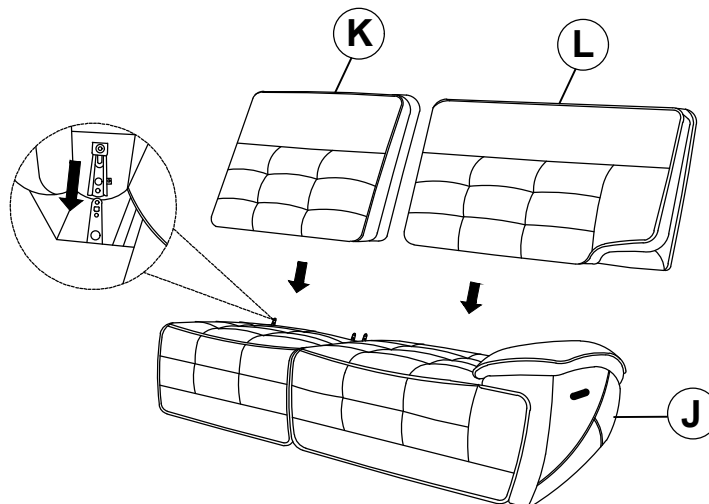
STEP 4



STEP 5

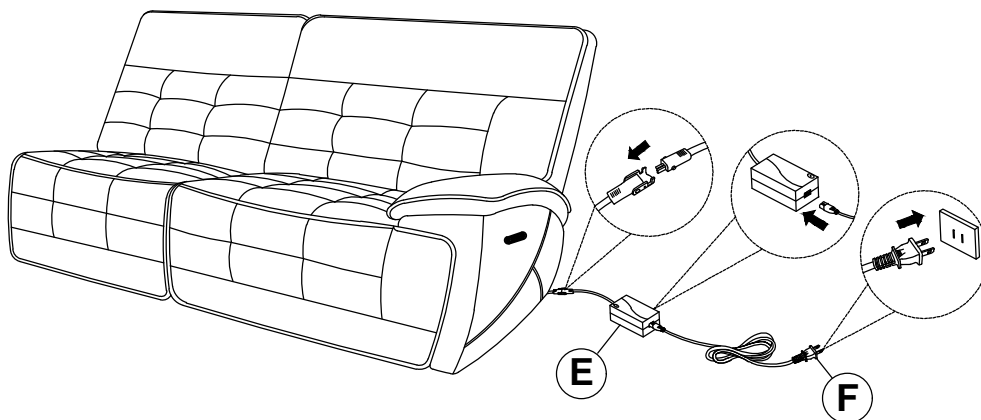


STEP 6

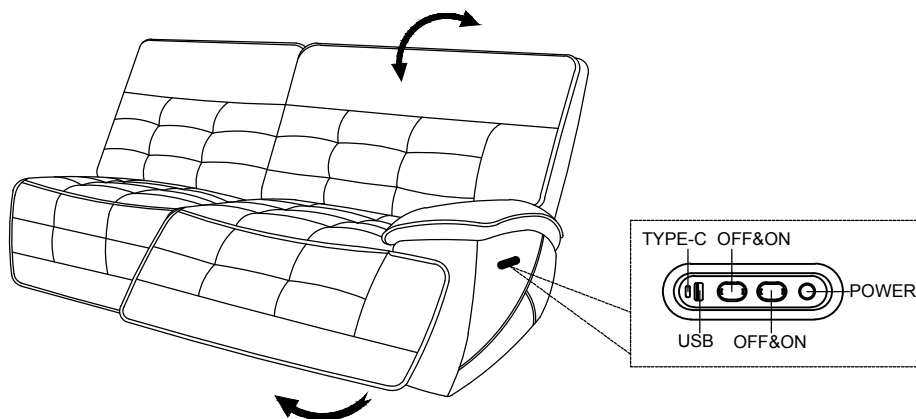


ASSEMBLY INSTRUCTIONS

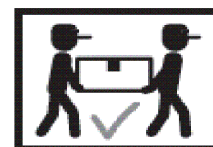
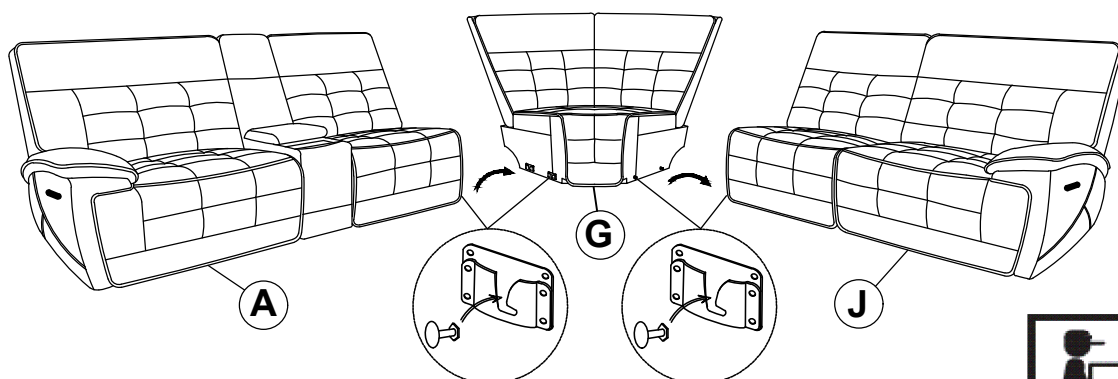
STEP 7

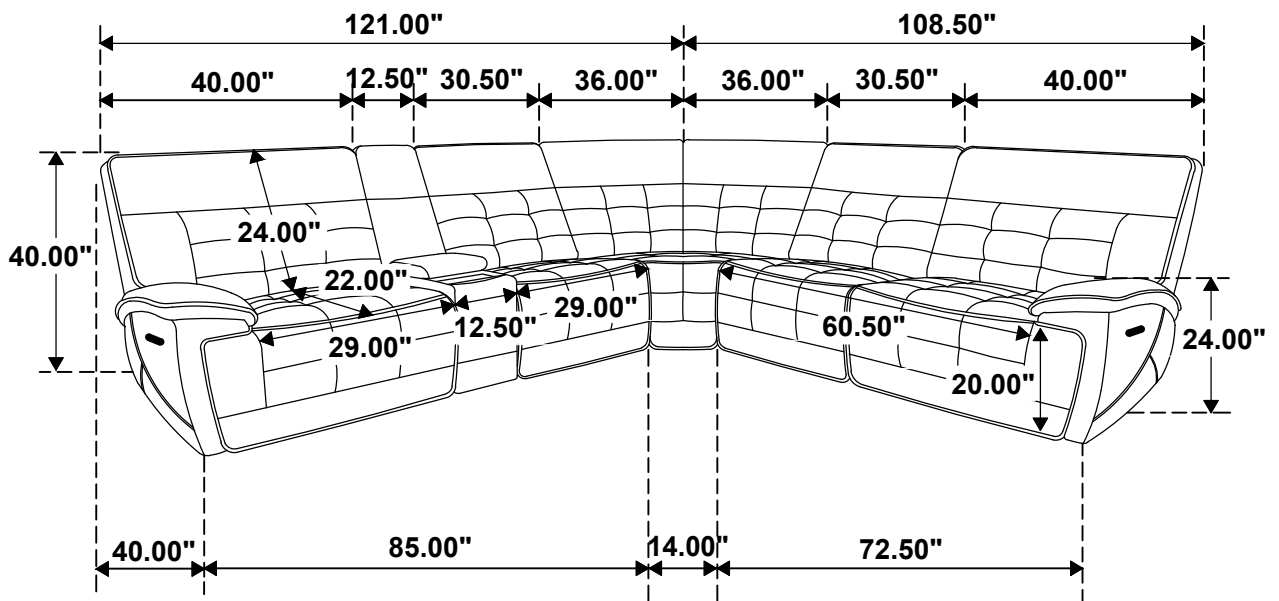


STEP 8



STEP 9 **COMPLETE**





Note: Dimension tolerance $\pm 5\%$