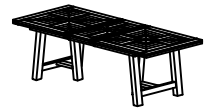


ASSEMBLY INSTRUCTIONS



Read instruction carefully prior for assembly

Thank you for purchasing this quality product. check carefully for small parts which may have come loose during shipment. Remove all components from pack and place on soft surface to prevent scratching the finish during assembly. Identify and count all parts as specified below.

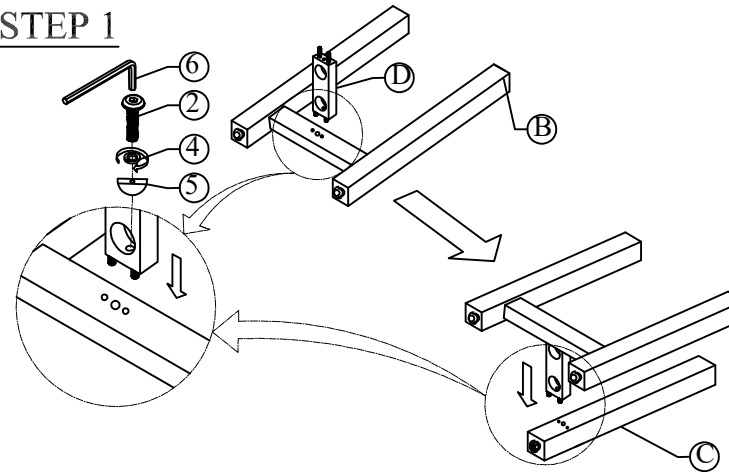
Hardware List

No.	Item	Picture	Q'ty
1	Bolt 5/16"*38mm		16
2	Bolt 5/16"*45mm		4
3	Flat Washer 5/16"*19*2mm		16
4	Spring Washer 5/16"*13.2*1.8mm		20
5	Washer half Moom		4
6	Allen Key M4		1

Part List

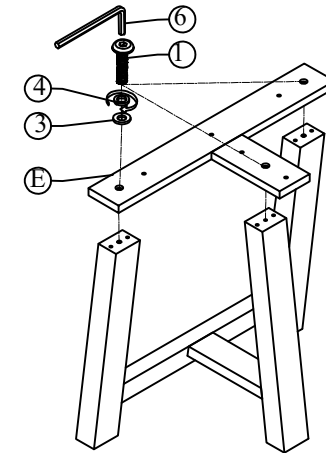
No.	Item	Picture	Q'ty
A	Table Top		1
B	Leg Frame		2
C	Center Leg		2
D	Stretcher		2
E	Mount Plate		2
F	Table Leaf		1

STEP 1



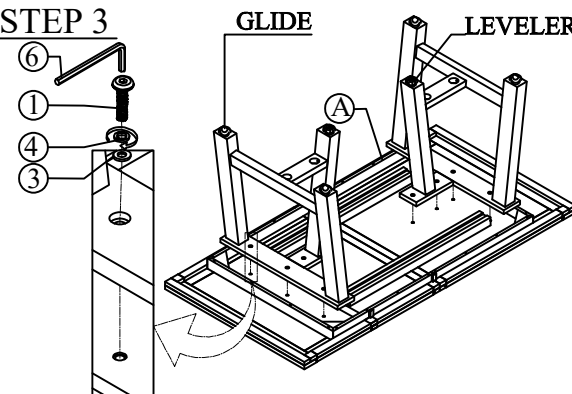
Connect Leg Frame (B) with Center Leg (C) by Stretcher (D) and secure them

STEP 2



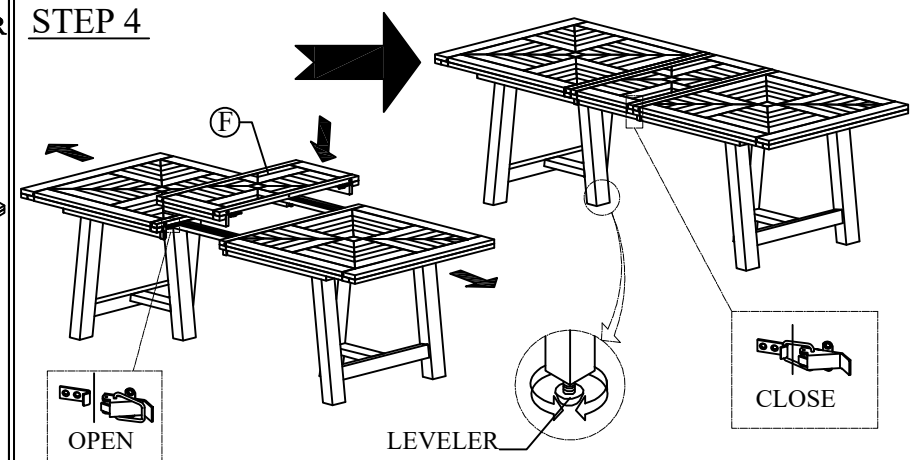
Attach Mount Plate (E) with Leg Frame.

STEP 3



Attach Leg Frame with Top table (A).

STEP 4



Open the lock and lay Table Leaf (F) on the top, then lock them. Adjust leveler if needed.