

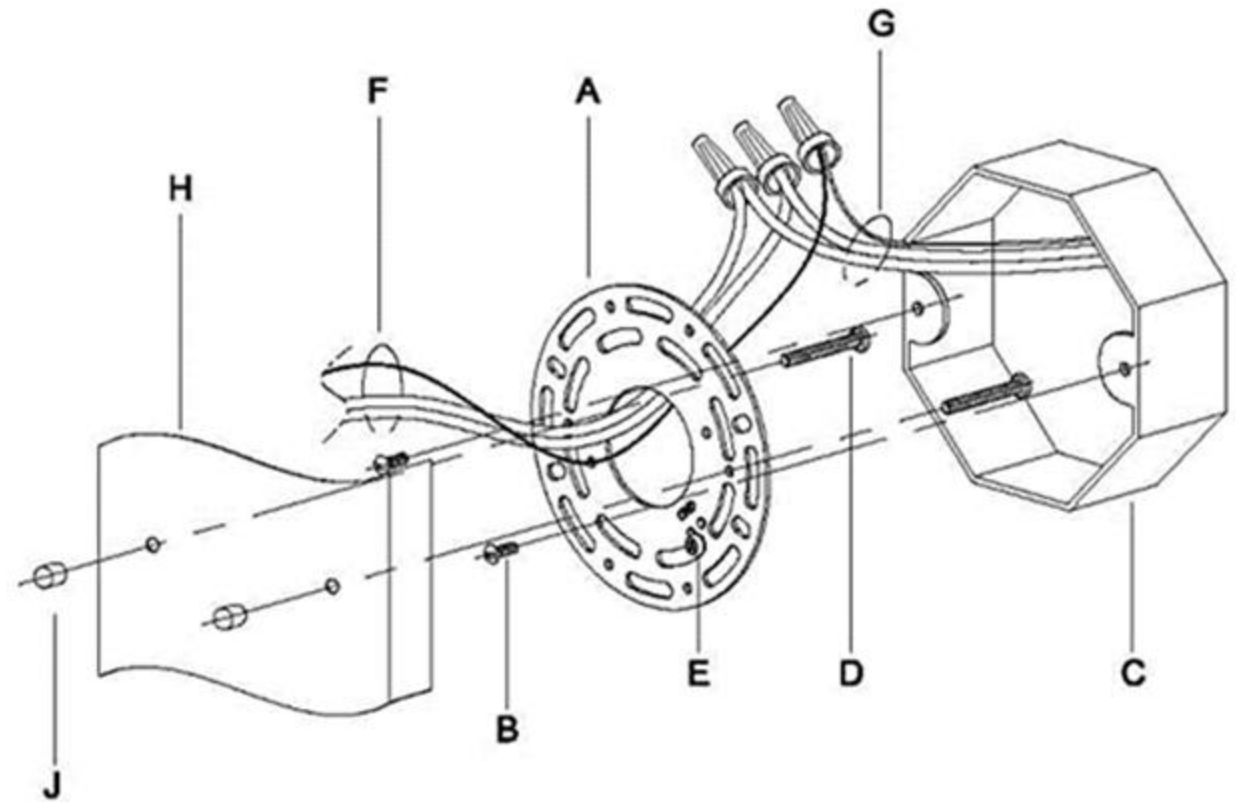
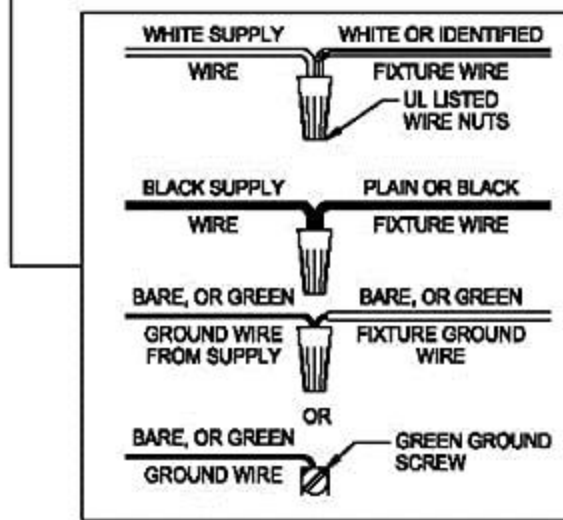
Assembly & Installation Instructions

CAUTION: Read instructions carefully and turn electricity off at main circuit breaker panel before beginning installation.

7-Light Pendant

CANOPY MOUNTING & WIRE CONNECTION ASSEMBLY STEPS:

1. D,E → A
2. K → D
3. B,A → C
4. F → G
5. H,J → D



FIXTURE ASSEMBLY STEPS:

Install the E26 bulb after attaching the chassis to the wall



E26 Bulb

Bulb not Included

