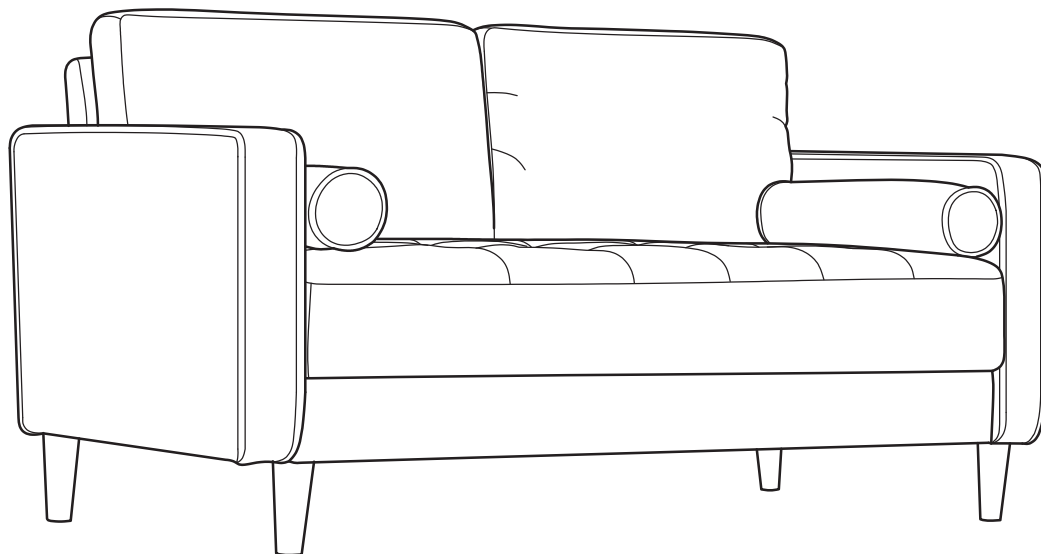


## ASSEMBLY INSTRUCTIONS

---



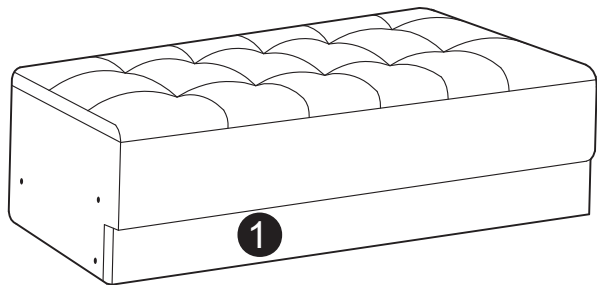
### **WARNING**

- This product has been designed for seating two (2) average adults. To prevent injury and damage to this unit, PROHIBIT jumping on it.
  - This product is designed for home use and not intended for commercial use.
  - Children under the age of 5, small infants and babies should not sleep alone on this product for safety reasons.
  - Recommended # of people needed for handling: 2 (however it is always better to have an extra hand.)
  - THIS INSTRUCTION BOOKLET CONTAINS **IMPORTANT** SAFETY INFORMATION. PLEASE READ AND KEEP FOR FUTURE REFERENCE.
-

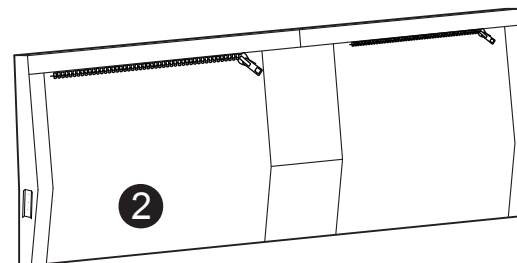
---

# PARTS

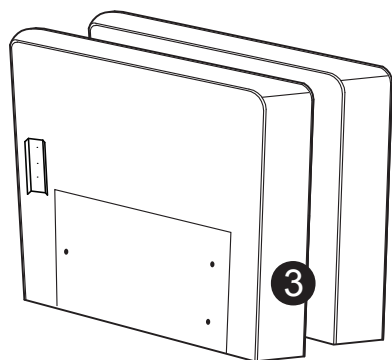
---



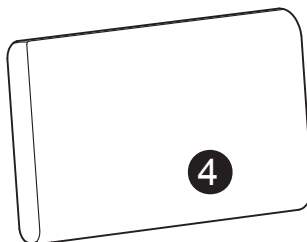
Sofa Body  
QTY:1



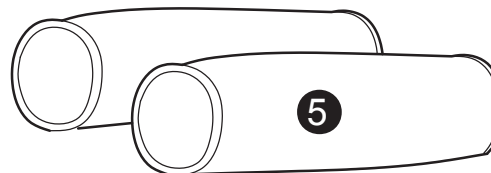
Backrest  
QTY:1



Arm  
QTY:1 Pair



Back Cushion  
QTY:2



Pillow  
QTY:2

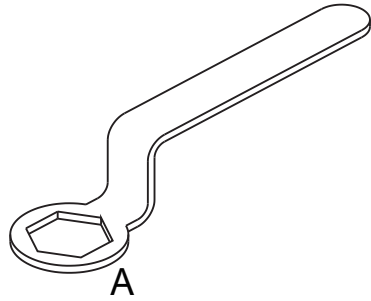


Leg  
QTY:4

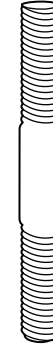
---

# HARDWARE

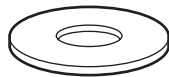
---



A  
Spanner  
14mm  
QTY : 1 PC



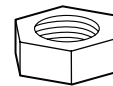
B  
Threaded Rod  
M8 x 70mm  
QTY : 6 PCS



C  
Washer  
M8 x 22mm  
QTY : 6 PCS



D  
Spring Washer  
M8  
QTY : 6 PCS



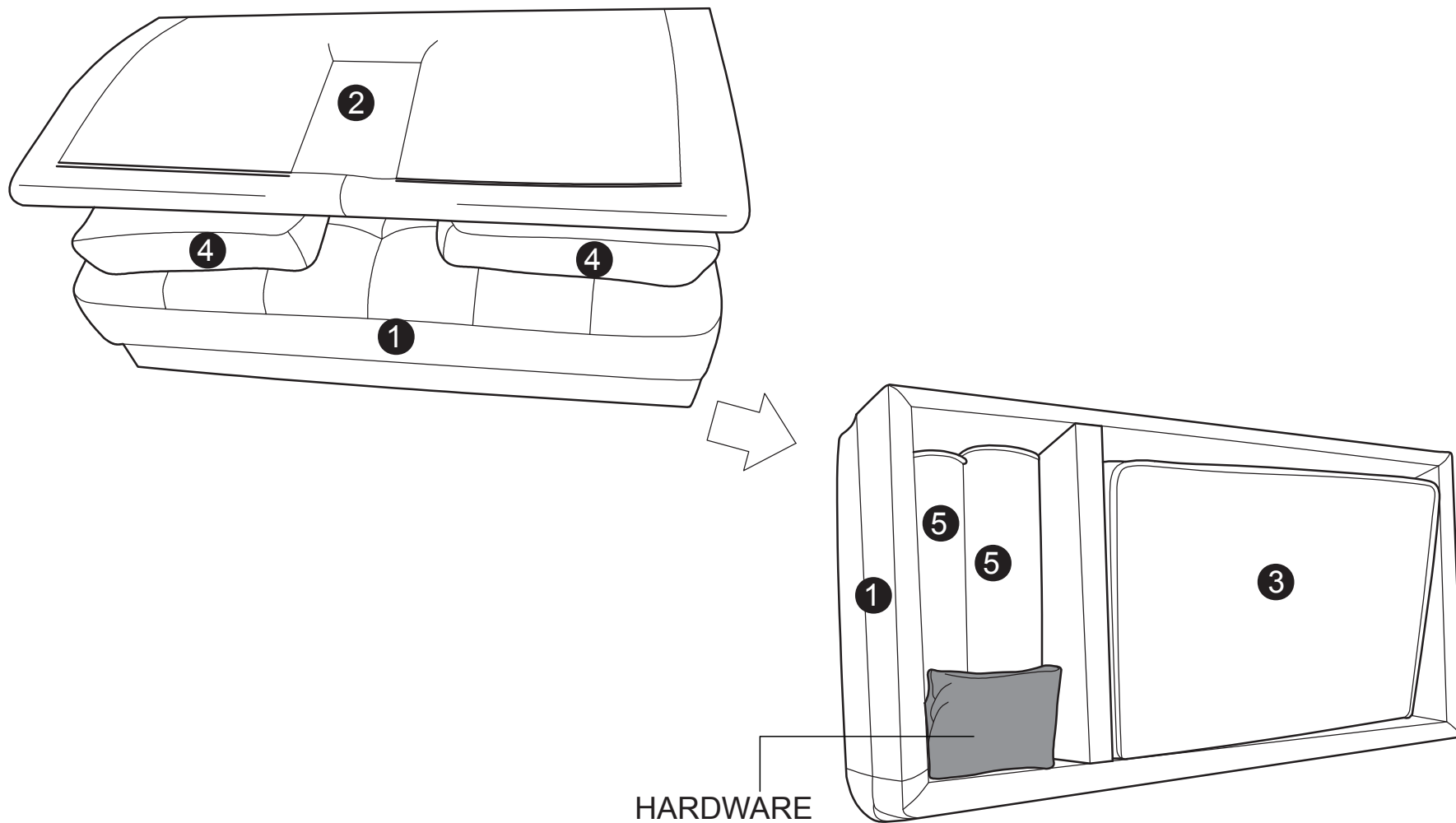
E  
Nut  
M8  
QTY : 6 PCS



F  
Plastic Cap  
M8  
QTY : 6 PCS

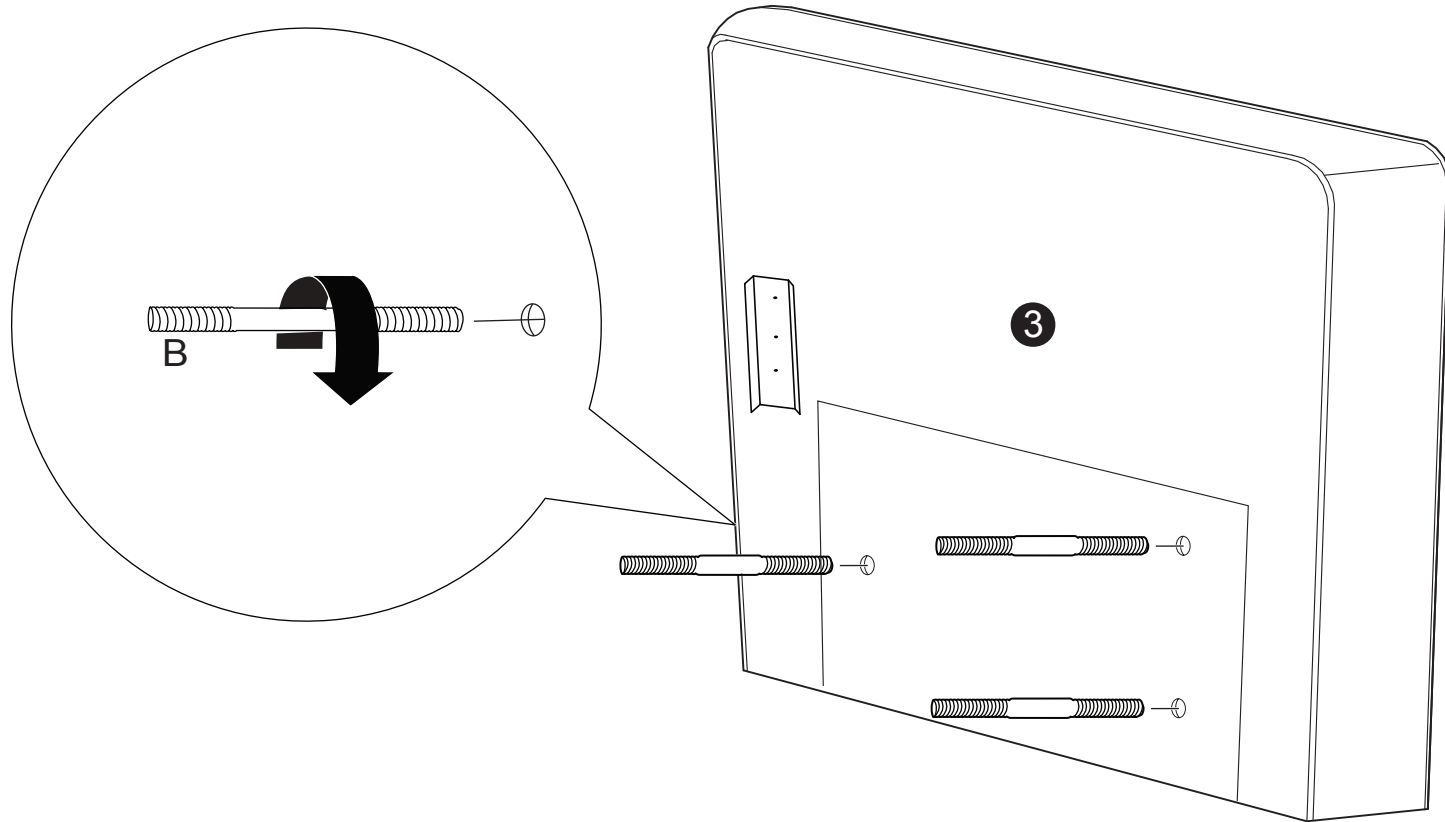
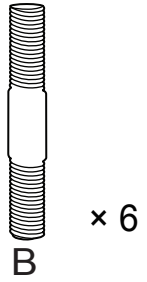
---

Step 1 :



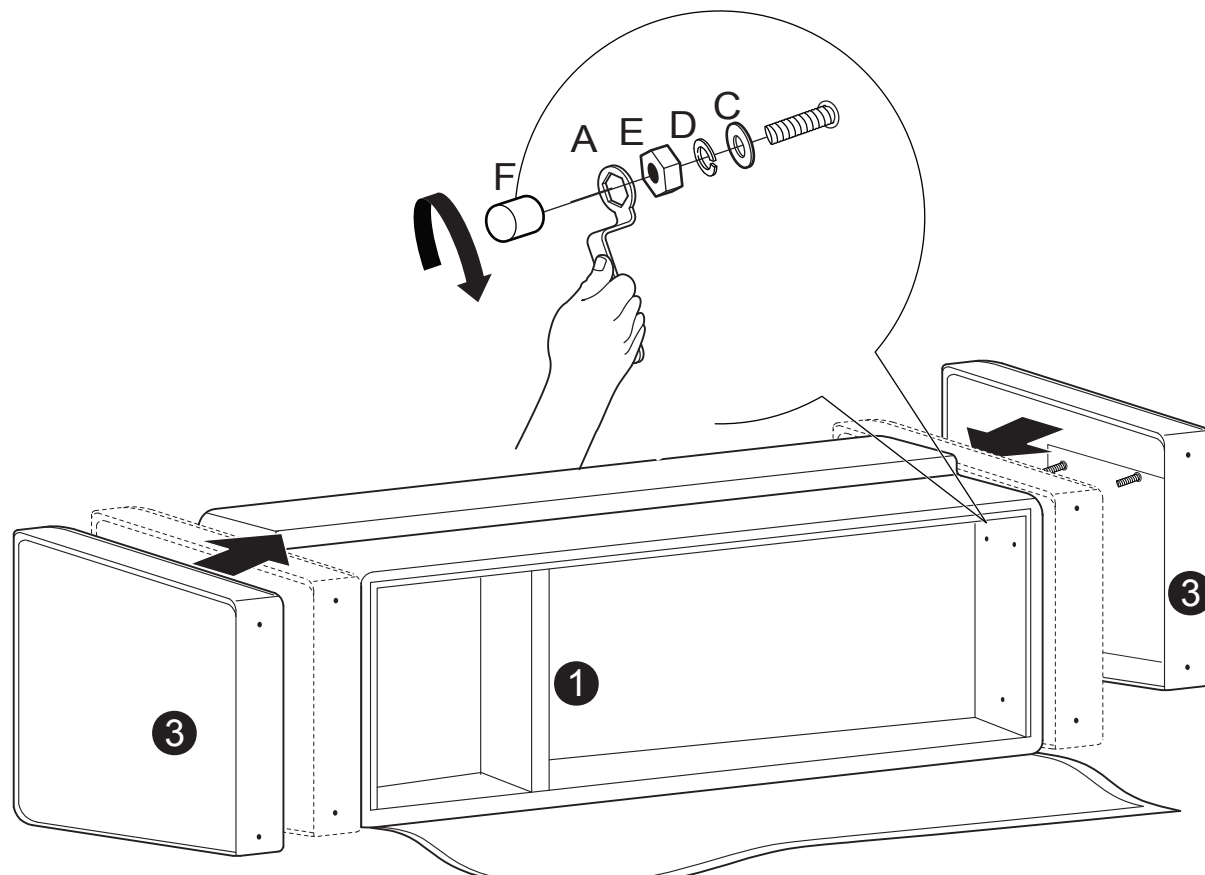
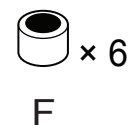
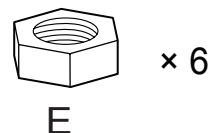
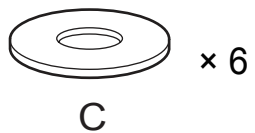
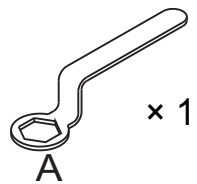
---

Step 2 :



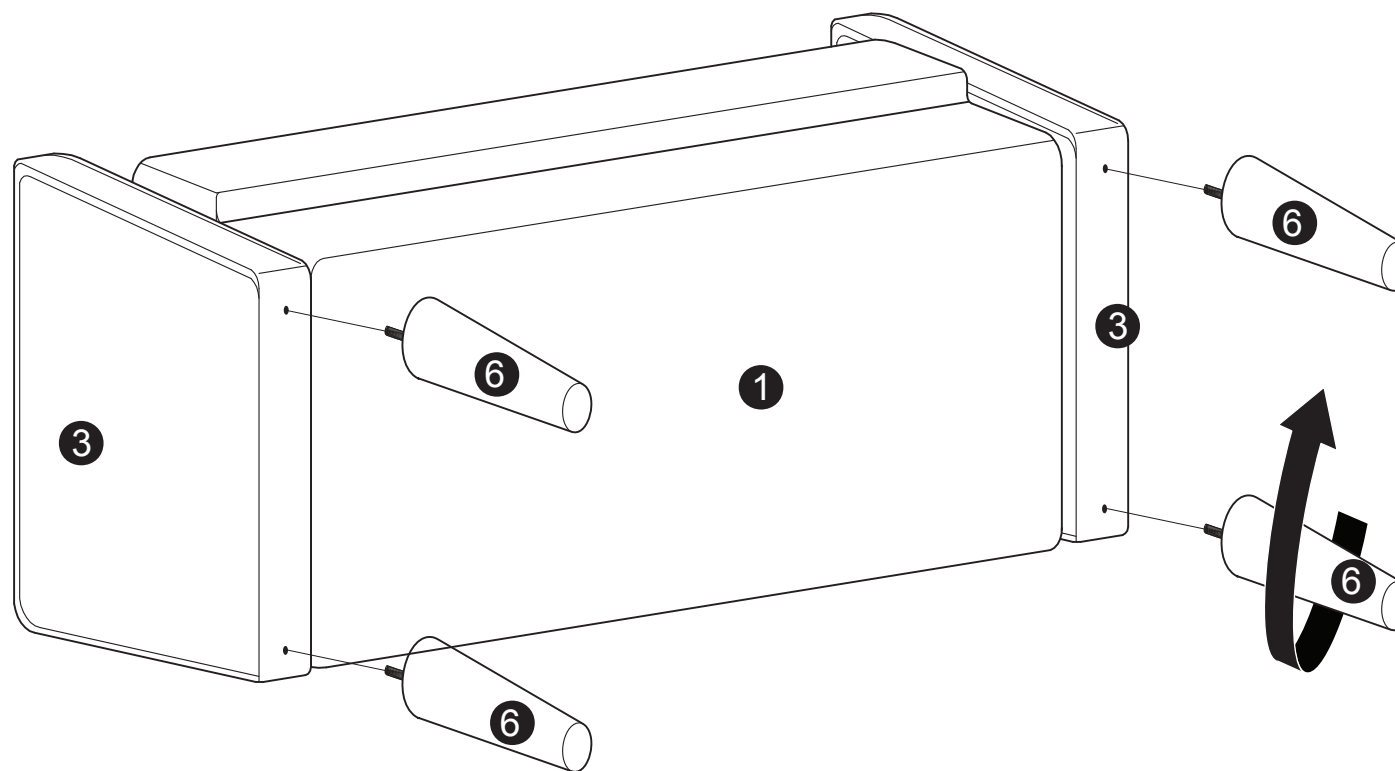
---

Step 3 :



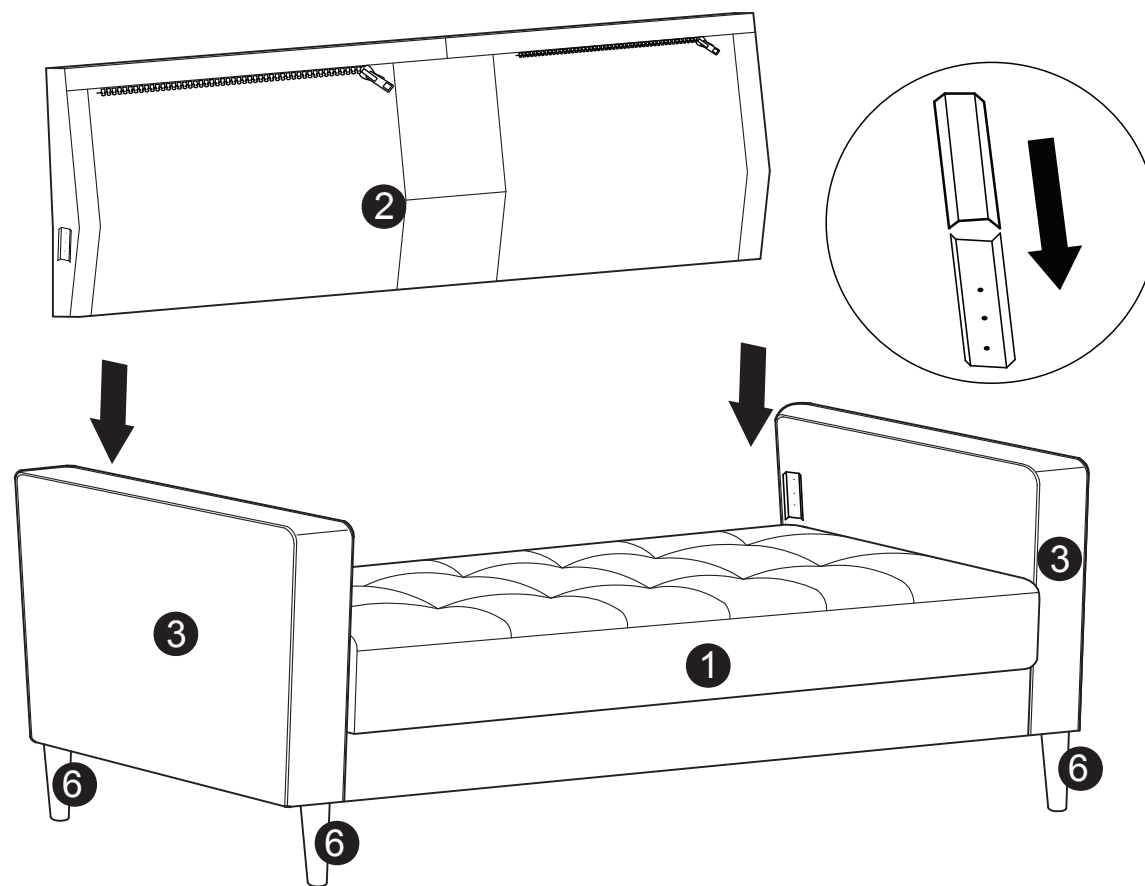
---

Step 4:



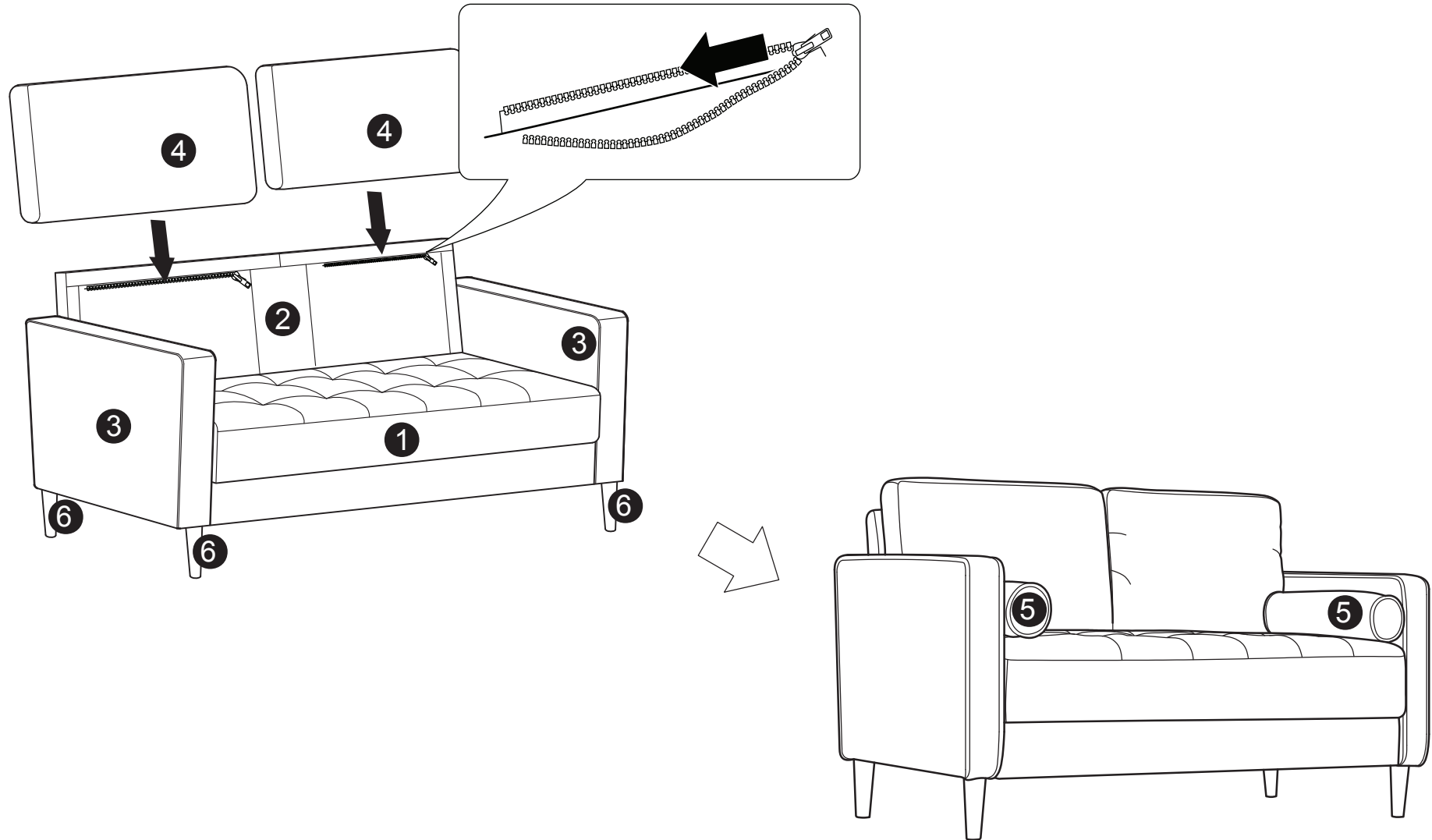
---

Step 5 :



---

Step 6 :



---

INSTALLATION COMPLETE :

