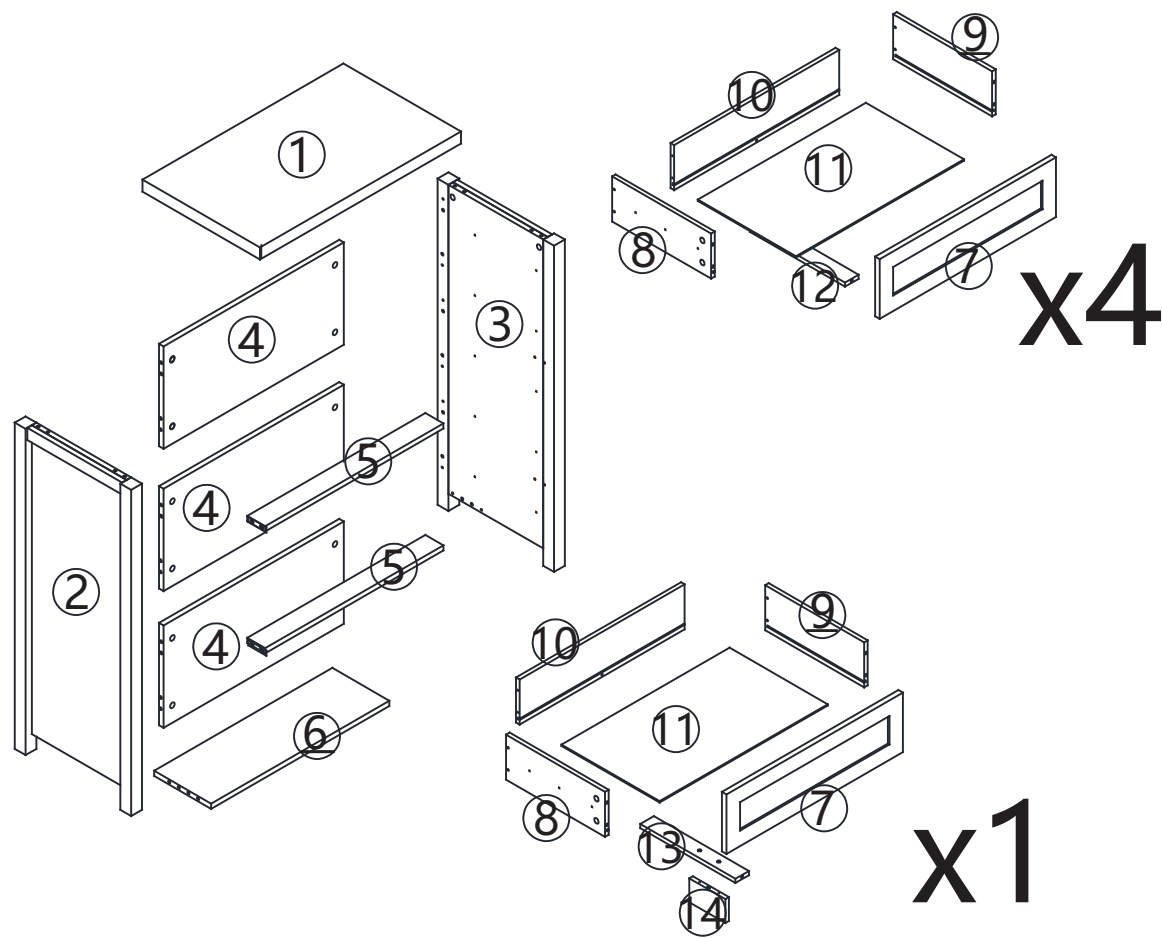
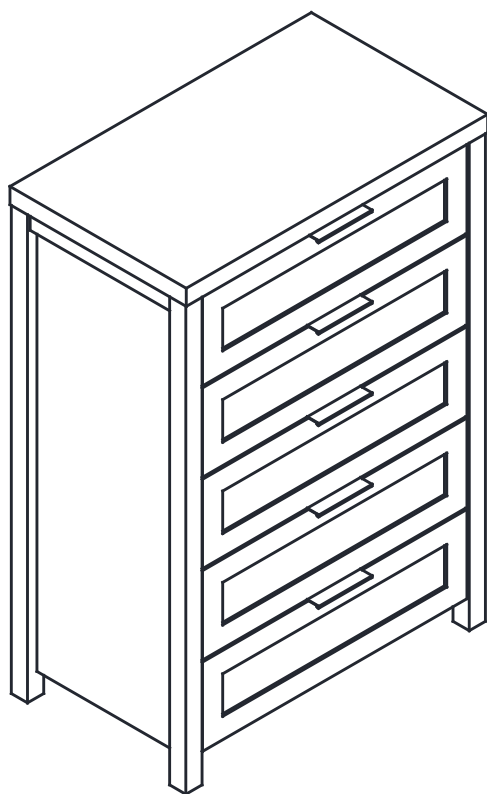









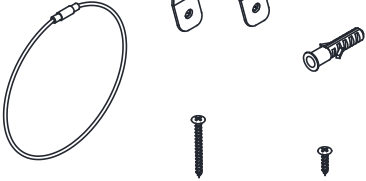
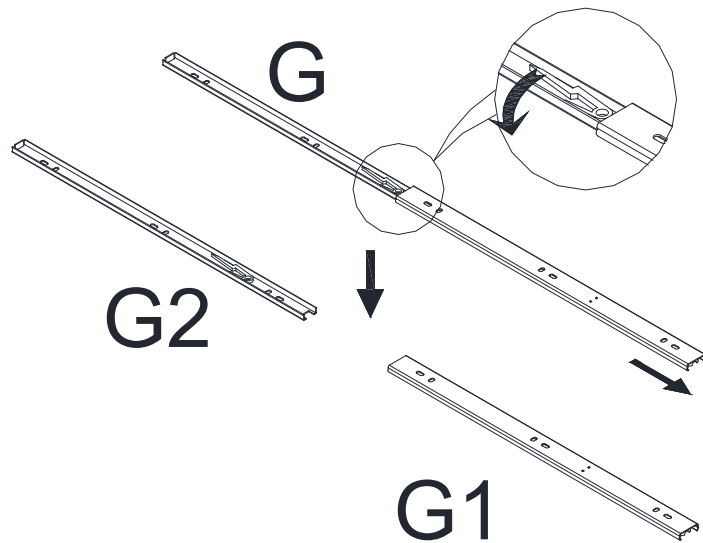


Parts list



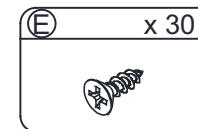
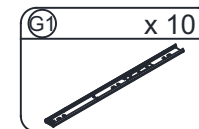
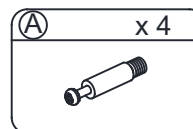
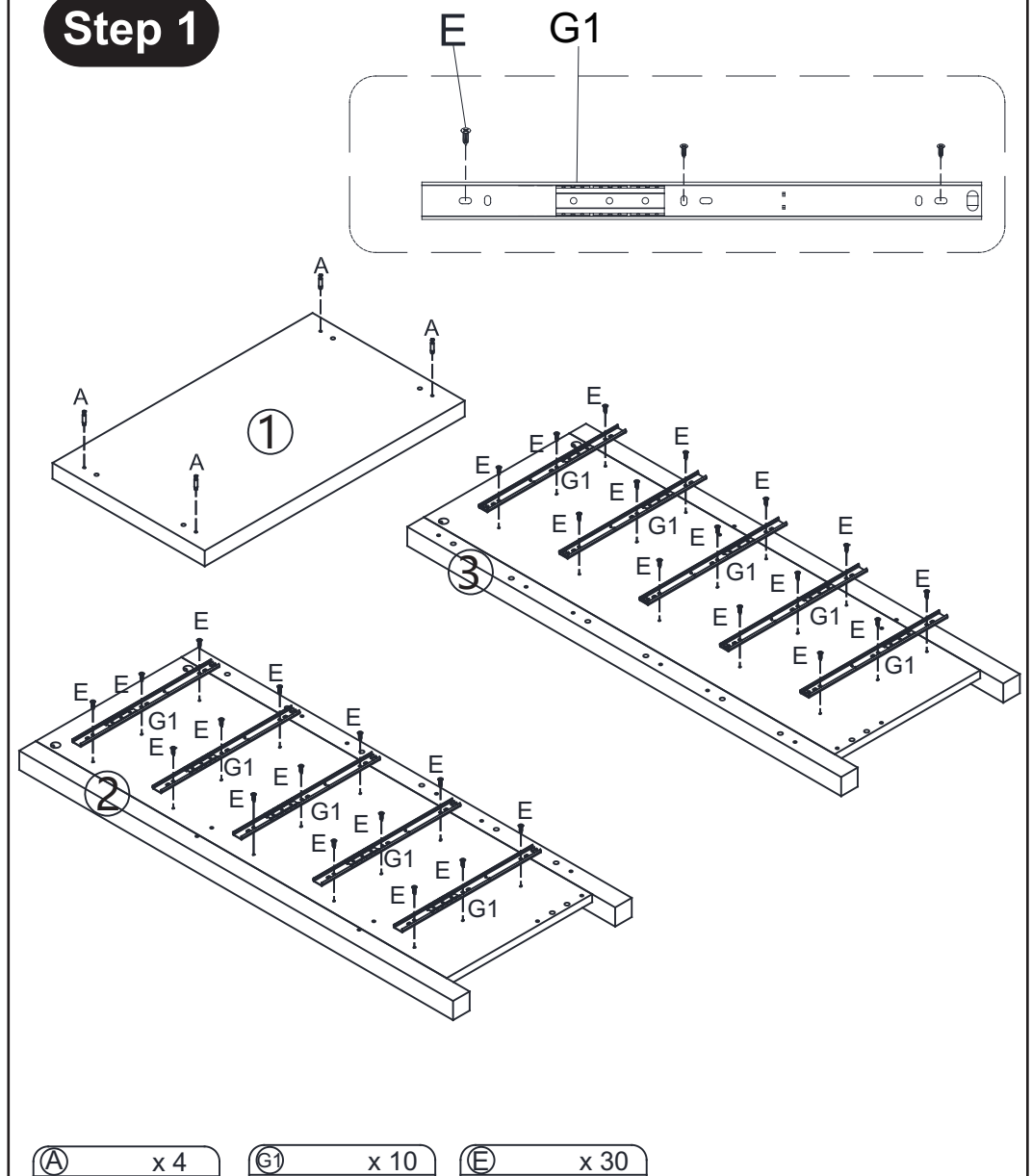
Hardware list

A x53 	B x53 	C x21 $\phi 8*30\text{MM}$ 	D x27 $\phi 4*35\text{MM}$ 	E x70 $\phi 3*12\text{MM}$ 
F x5 	G x5 	H x2 		
I x53 				

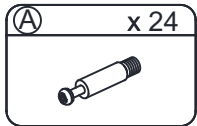
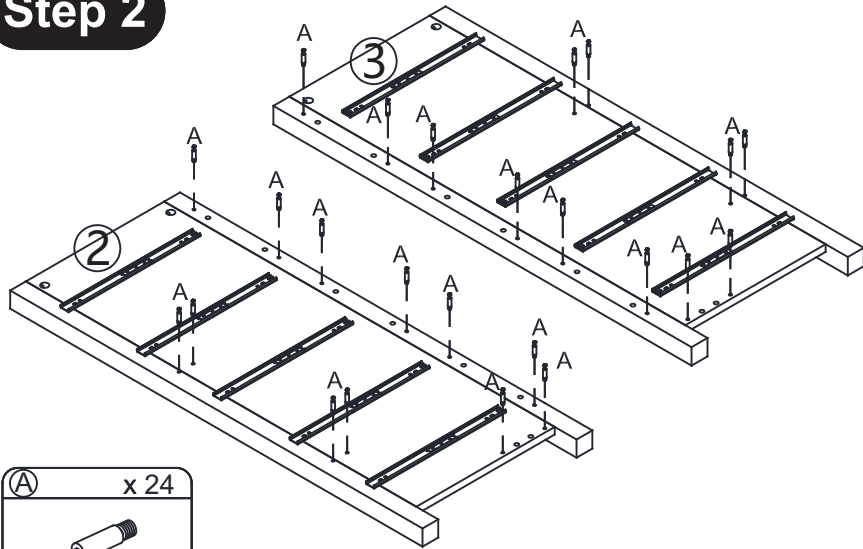


Flip the switch to separate G into G1G2

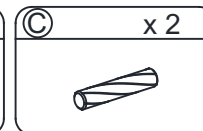
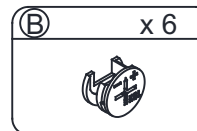
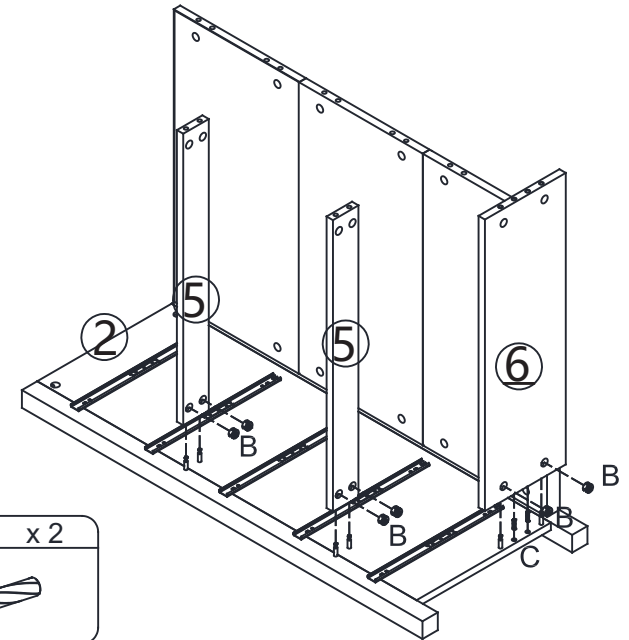
Step 1



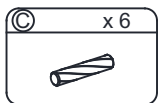
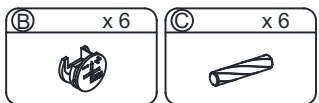
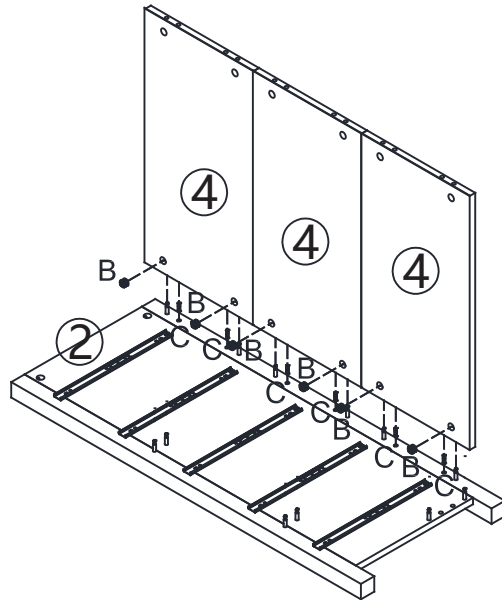
Step 2



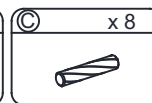
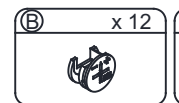
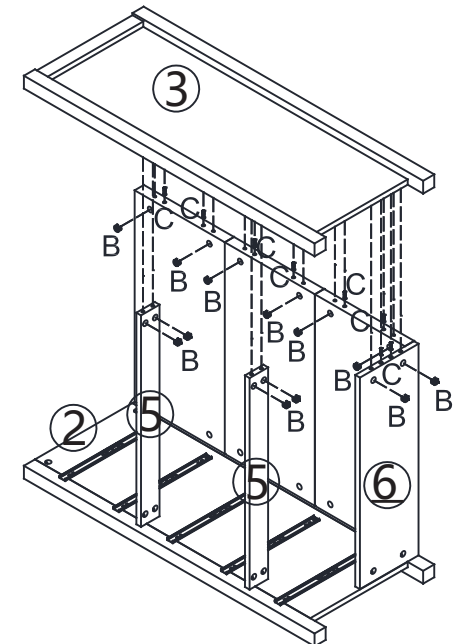
Step 4



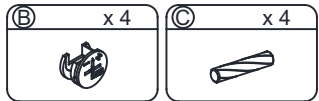
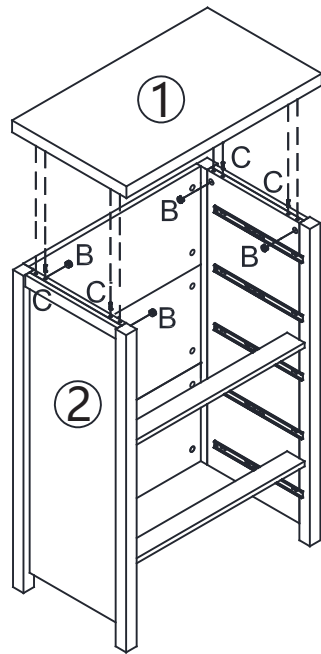
Step 3



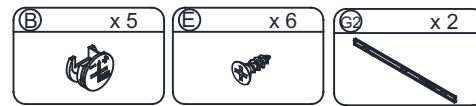
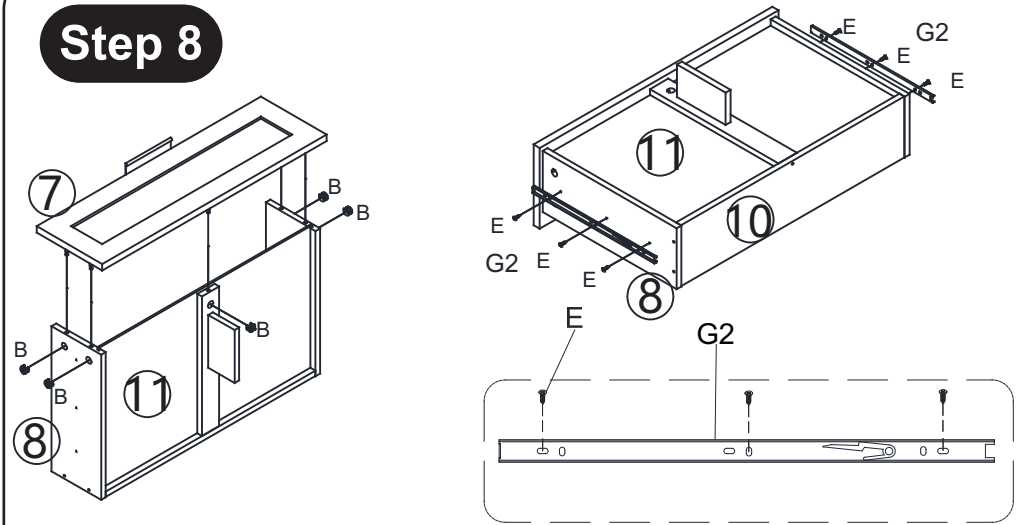
Step 5



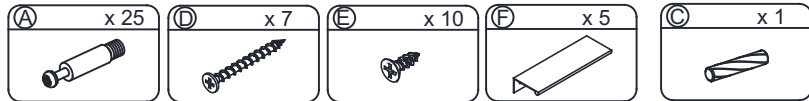
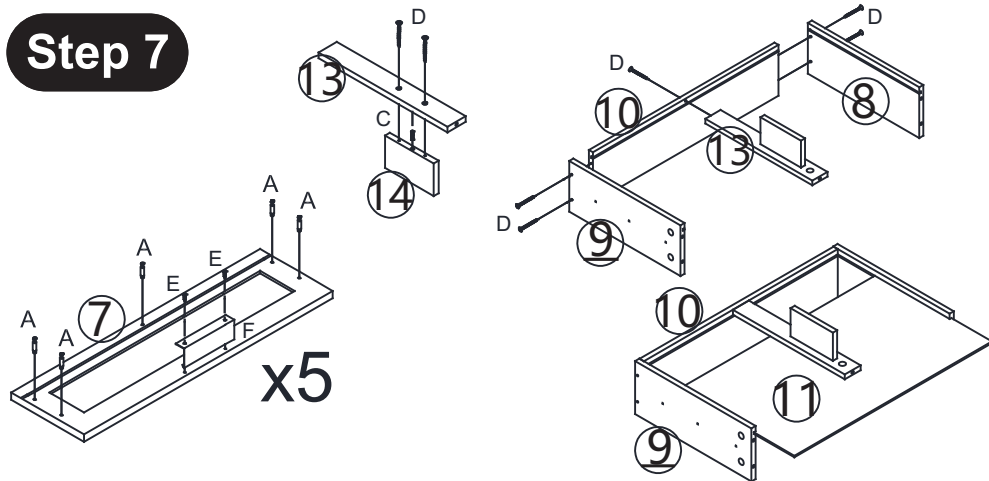
Step 6



Step 8

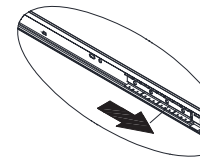


Step 7



Step 9

Install the drawer:

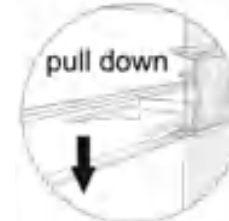


Slide out the iron groove first and then install the drawer.

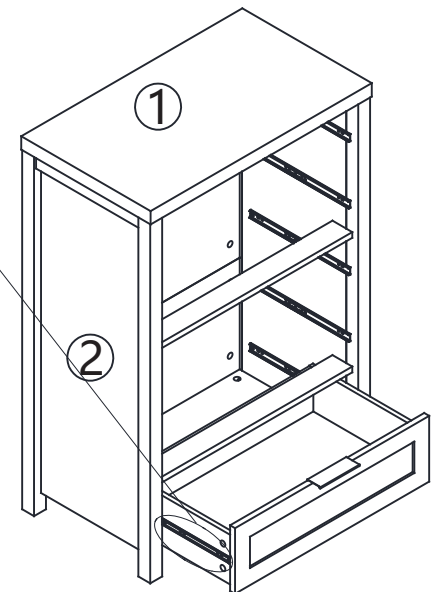
Take out the drawer:



Left drawer slides

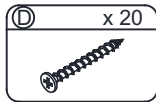
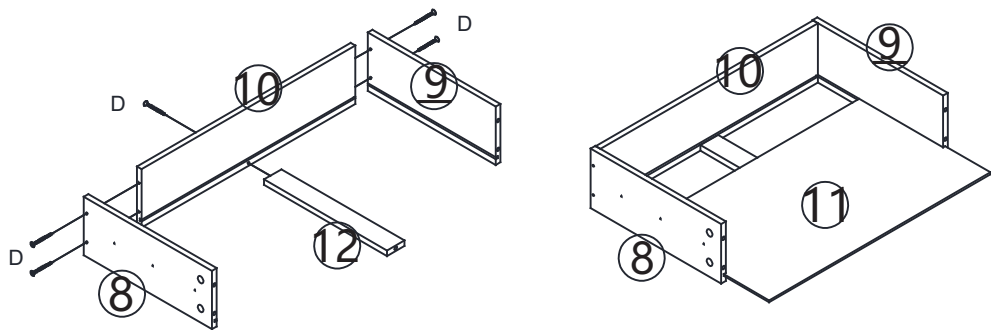


Right drawer slides

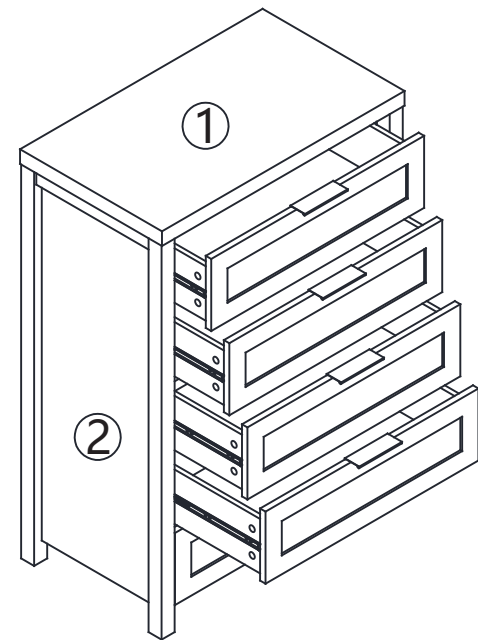
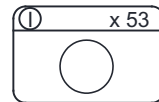
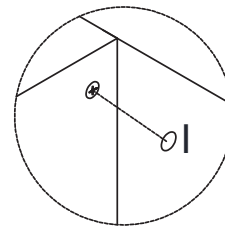


Step 10

x4

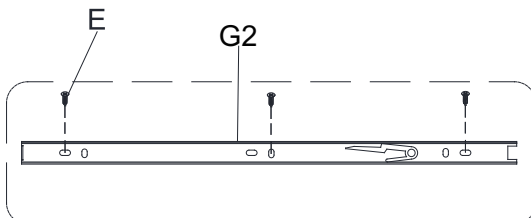
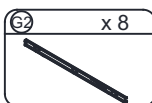
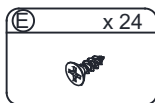
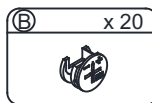
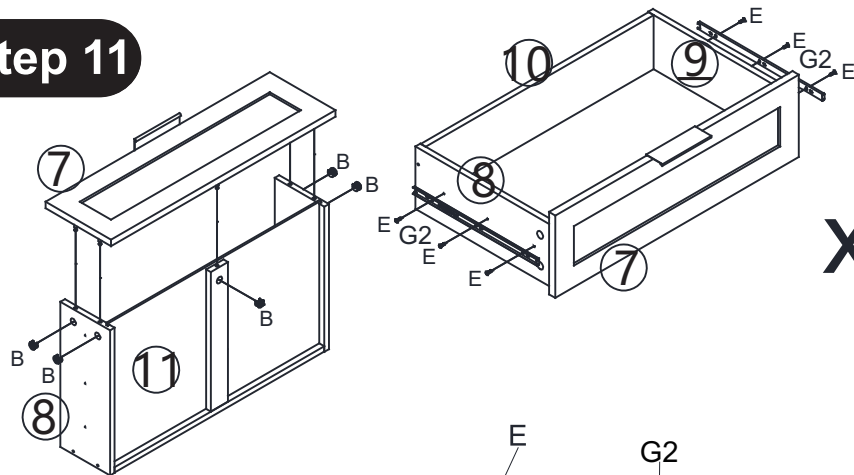


Step 12

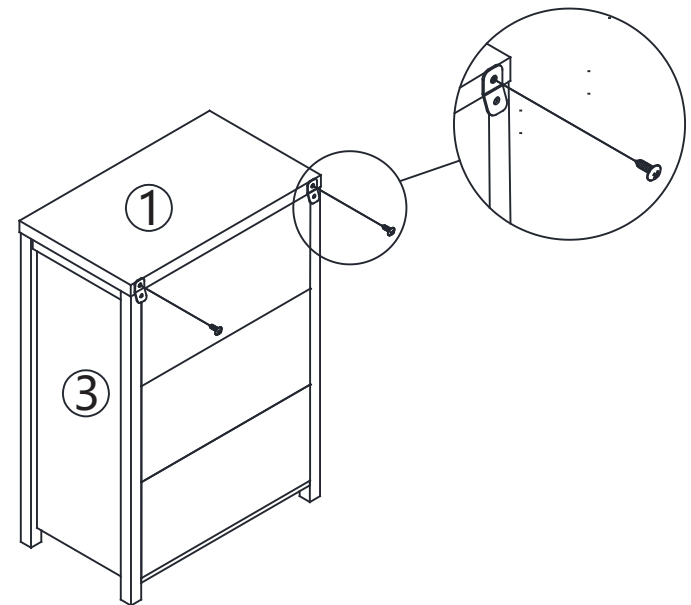
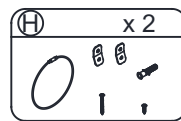
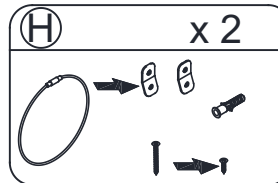


Step 11

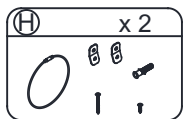
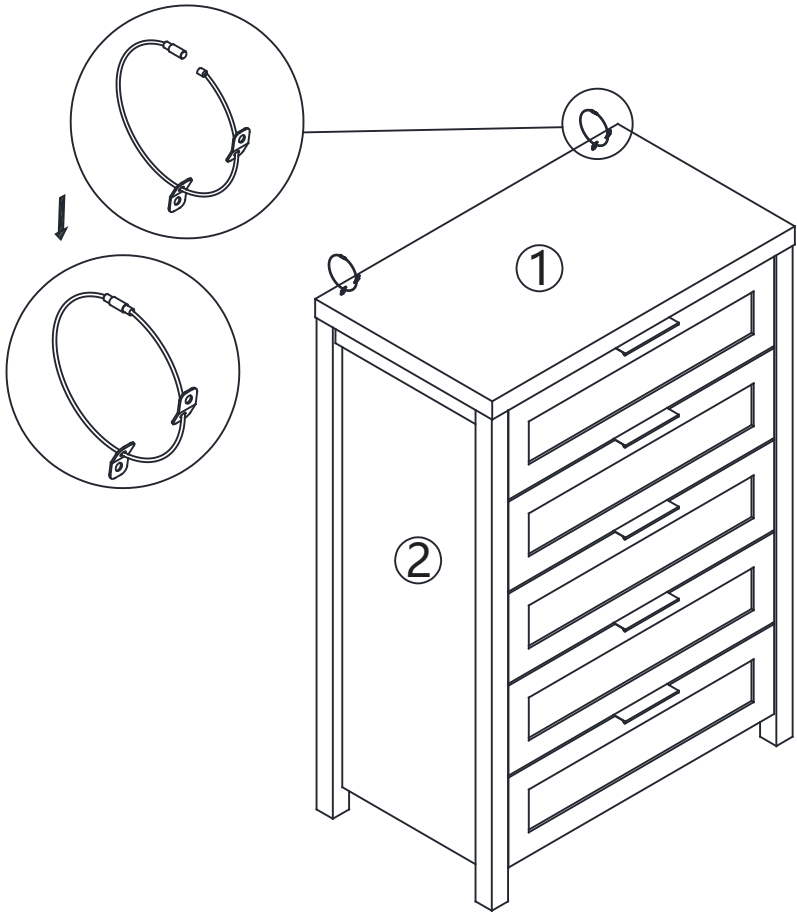
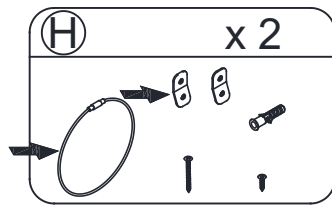
x4



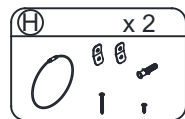
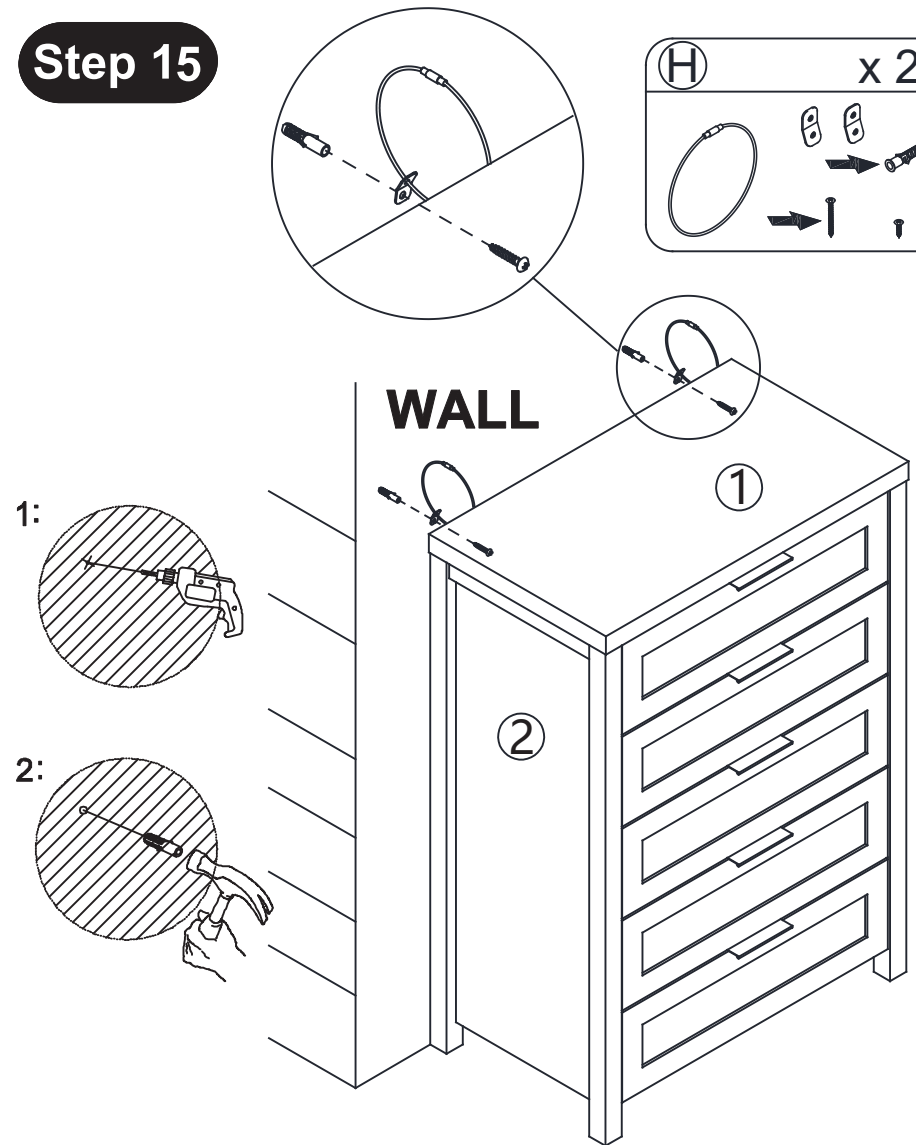
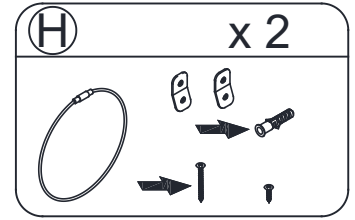
Step 13



Step 14



Step 15



WARNING



Children have died from furniture tipover. To reduce the risk of furniture tipover:

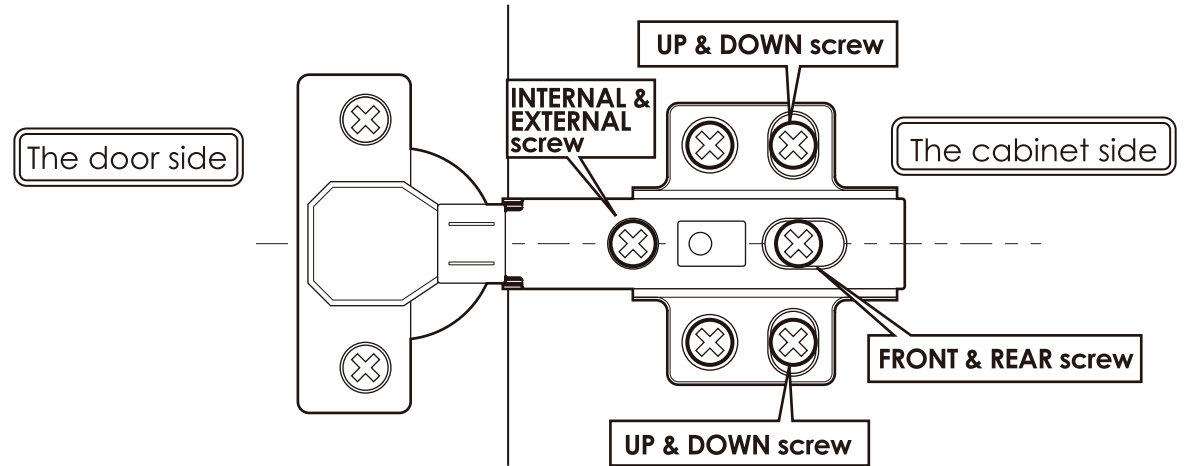
- **ALWAYS** install Anti-tip device provided.
- **NEVER** put a TV on this product.
- **NEVER** allow children to stand, climb or hang on drawers, doors, or shelves.
- **NEVER** open more than one drawer at a time.
- **Place heaviest items in the lowest drawers.**

***This is a permanent label.
Do not remove!***

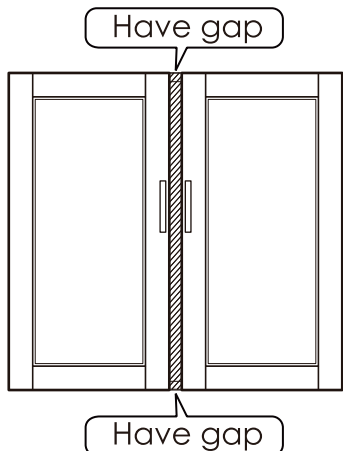
Adjusting the door

- Before adjusting the hinge, please check whether the cabinet is skewed.
- If the skew can not be repaired, please remove the anti-tipping device first, then adjust the cabinet to vertical position.
- Please adjust the hinge with the door open.
- Please operate it with more than 2 people, one person holds the door and the other one adjusts the screw.
- Have trouble adjusting the door? Please check out our video on adjusting the door via

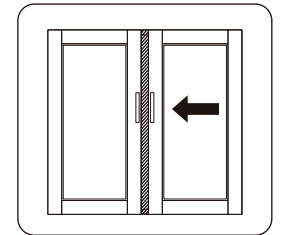
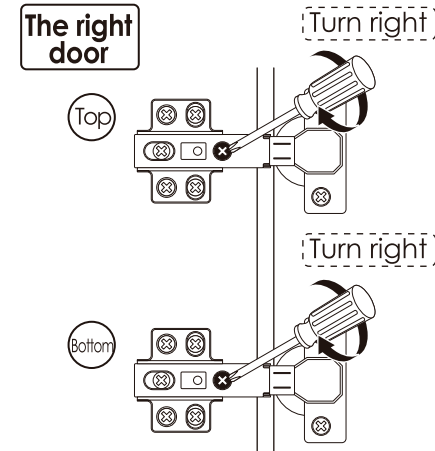
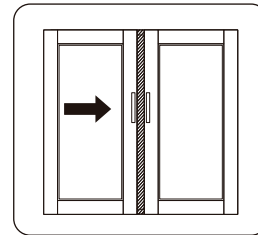
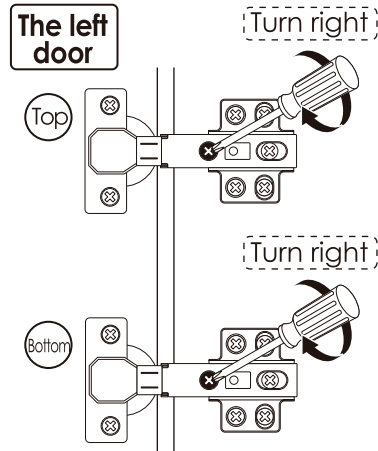
Components Name



Obvious gaps between doors or Doors don't look closed



1 Turn "internal & external screw" to the right can make the door approach inside. Please adjust the doors little by little.



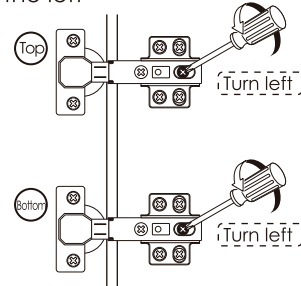
※ If the 2 doors are overlap, please turn the "internal & external screw" to the left.

When door is crooked



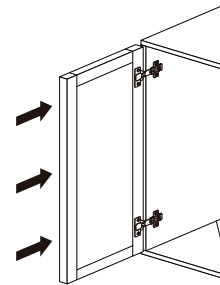
Please take the following steps to adjust first.

- 1 Rotate the "front and rear screws" to the left

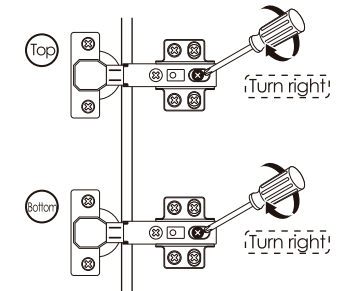


※ After adjusting the "front and rear screw", the door still does not change, please turn the "internal & external screw" to the right slightly.

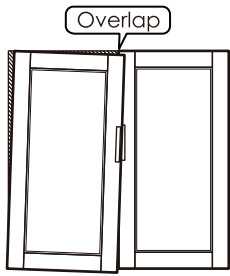
- 2 Push the door to the cabinet



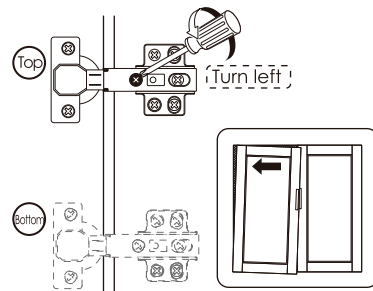
- 3 Rotate the "front and rear screws" to the right



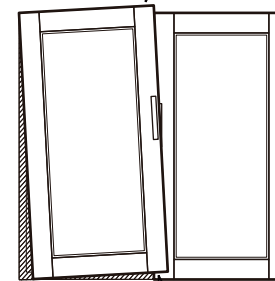
When door is leaning



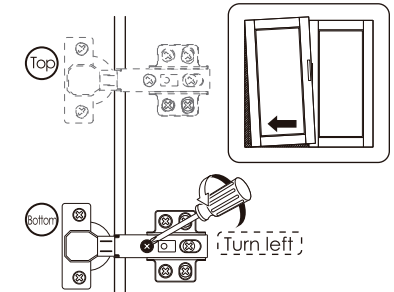
- 1 Turn "internal & external screw" to the left can make the top of the door tilted outward.



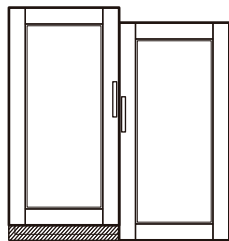
Protruding to the upside



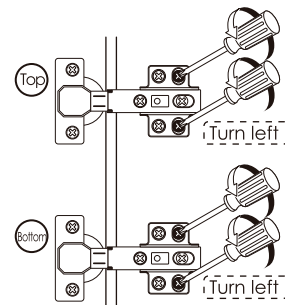
- 1 Turn "internal & external screw" to the left can make the bottom of the door tilted outward.



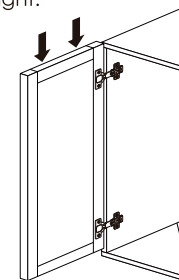
When the door is higher on top



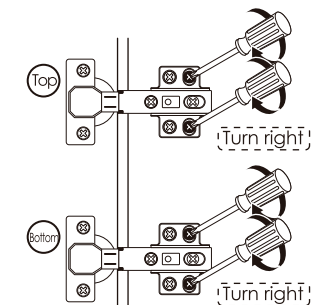
- 1 Turn "up & down screw" to the left



- 2 Lower the door's height so that 2 doors are of the same height.

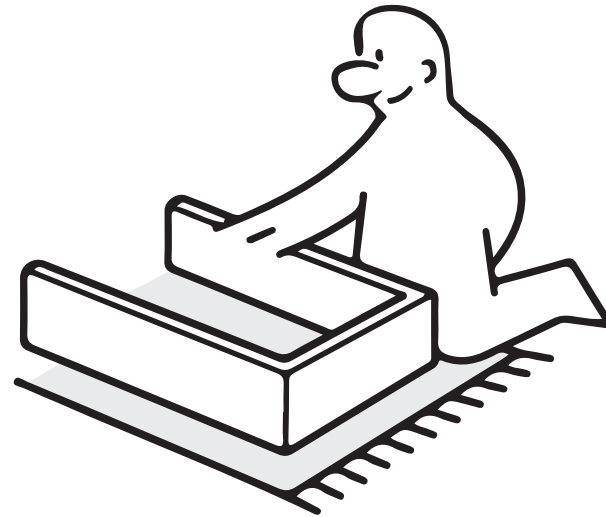
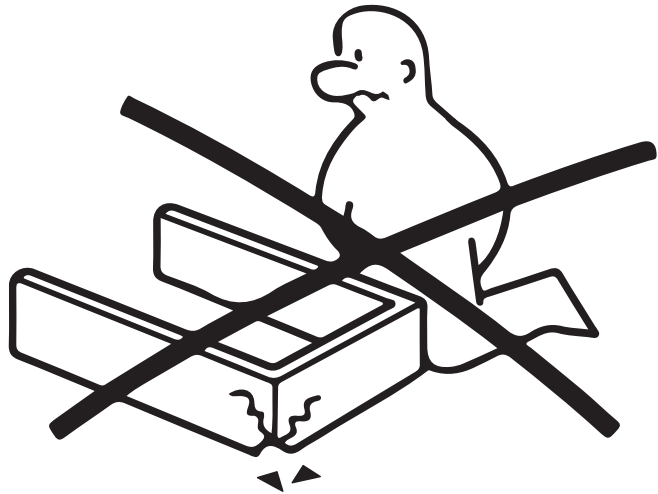


- 3 Turn "up & down screw" to the right



※ If the door is lower on bottom, please lift up the left door slightly on step 2

※ **Stay Scratch-Free: Safeguard Your Furniture by Assembling on Carpet.**



※ **Stuck in Assembly Limbo? Contact Our Support Team for Quick Solutions!**

