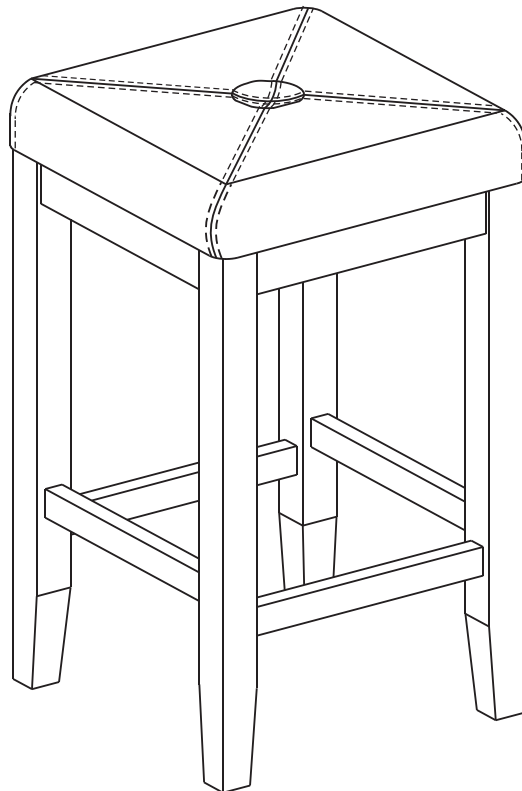
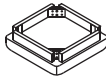









Square Upholstered Seat Bar Stool



ASSEMBLY INSTRUCTIONS

DESCRIPTION: 24 " / 29" Square Upholstered Seat Bar Stool

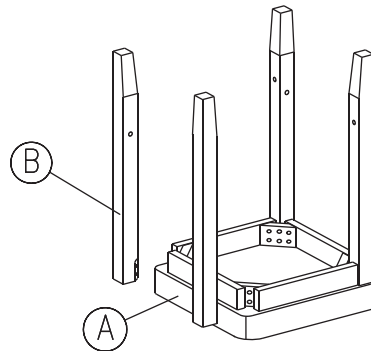
| Part Lists | | | |
|------------|-------------------------|---|--------|
| No. | Description | Sketch | Q'ty |
| A | SEAT FRAME |  | 1 PC |
| B | LEG (RIGHT AND LEFT) |  | 2 PAIR |
| C | SIDE STRETCHER |  | 4 PCS |

| Hardware Lists | | | |
|----------------|-------------------|---|-------|
| No. | Description | Sketch | Q'ty |
| a | BOLT (5/16 x 60") |  | 8 PCS |
| b | SPRING WASHER |  | 8 PCS |
| c | FLAT WASHER |  | 8 PCS |
| d | ALLEN WRENCH |  | 1 PC |
| e | SCREW(#8X1-1/2") |  | 8 PCS |

Step 1

Attach left and right legs (B) to the seat frame (A) using the bolts (a), spring washers (b) and flat washers (c) as shown in Figure 1. **Do not tighten bolts at this time.**

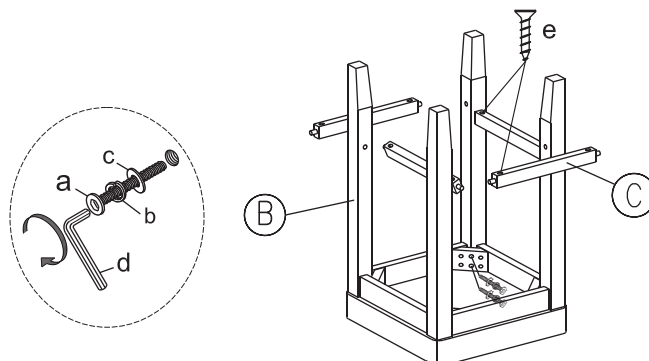
Note: The left and right legs (B) are marked "R" & "L".



Step 3

Insert the side stretchers (C) into the left and right legs (B) as shown in Figure 2.

Note: If you have trouble inserting the stretchers, loosen the bolts (a) slightly to allow for extra space.



Step 4

Ensure that the side stretchers (C) are flush with legs (B). Secure with screws (e) using Phillips head screw driver. Finger-tighten the bolts (a).

Step 5

Turn stool upright on its legs and place on a flat, level floor. Make sure that the stool is level and square. Tighten all bolts (a) completely with supplied Allen wrench (d).