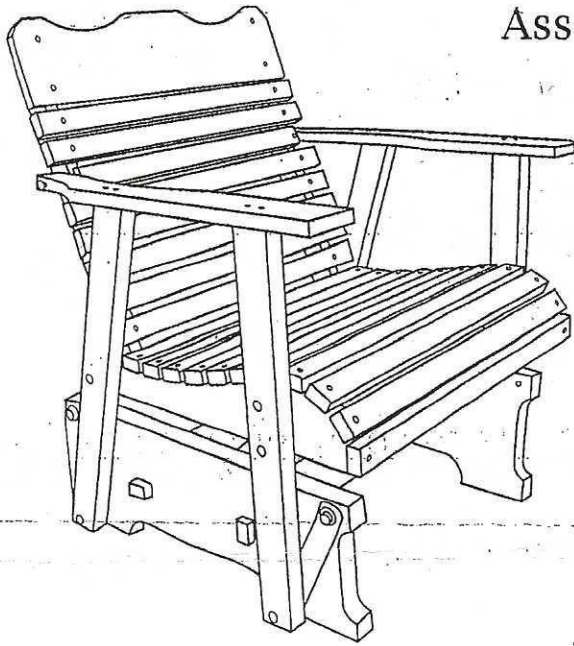


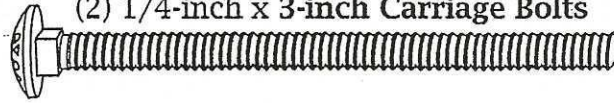
# 2-Foot Glider

## Assembly Instructions

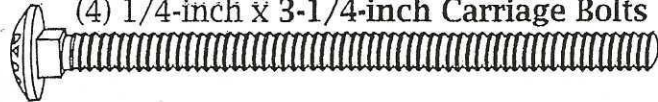


### Parts List

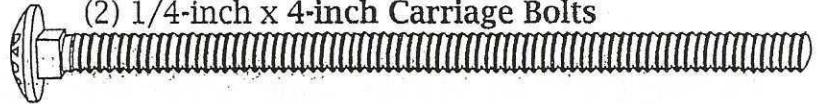
(2) 1/4-inch x 3-inch Carriage Bolts



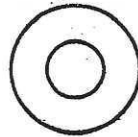
(4) 1/4-inch x 3-1/4-inch Carriage Bolts



(2) 1/4-inch x 4-inch Carriage Bolts



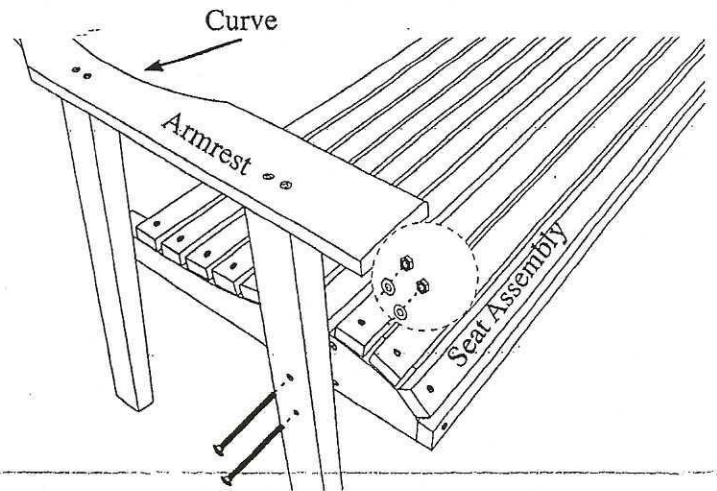
(8) 1/4-inch Washers (8) 1/4-inch Nuts



\* Tools required: 7/16-inch wrench, hammer

### 1. Armrest to Seat Assembly

Select proper armrest. (Curve side goes towards seat)  
Insert two 3-1/4-inch carriage bolt through holes in front armrest support and seat assembly. Place a 1/4-inch washer and nut on end of bolts and tighten. Repeat on other side. **NOTE: Bolts should be inserted through seat assembly simultaneously to prevent alignment issues.**



### 2. Armrest to Seat and Backrest

Insert 4-inch carriage bolt through the bottom rear section of the armrest support, then through seat assembly and backrest. Place a 1/4-inch washer and nut on end of bolt. Nut will be tightened later. Repeat on other side.

