










# Assembly Instructions

Please look in the red bag for hardware packs and legs.

**Caution : You must read this before you proceed**

## Care & Maintenance

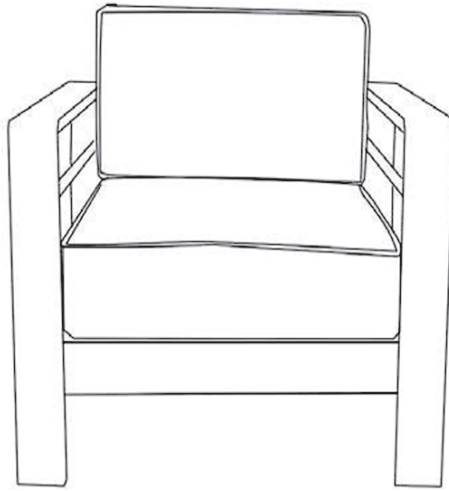
- ⊘  ● Not for commercial use. For residential use only.
- ⊘  ● Do not put hot items directly on furniture surface.
- ⊘  ● Do not clean furniture with harsh cleansers or polish.
- ✓  ● To obtain the longest lifespan of your outdoor products, minimizing exposure to direct sunlight is recommended.
- ⊘  ● Children should not climb or jump on the furniture.
- ⊘  ● Do not write on furniture without a padded barrier to protect the surface.
- ✓  ● To obtain the longest lifespan of your outdoor products, avoid extended and lengthy exposure to rain, snow, and direct sunshine. Whenever possible cover the product and /or place under patio or awnings.
- ⊘  ● Stains may be removed with mild soap solution and damp cloth.

- ✓  ● Dust and pick-up spills using a clean, non-colored, lint-free cloth.

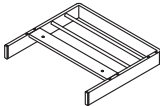
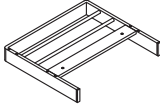
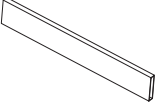
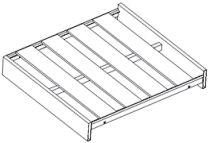
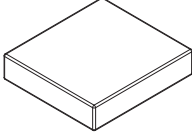
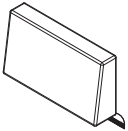
Please look in boxes for hardware packs and legs.

Sets often ship in multiple boxes and may arrive a day or two apart.

# Chair



## Parts List

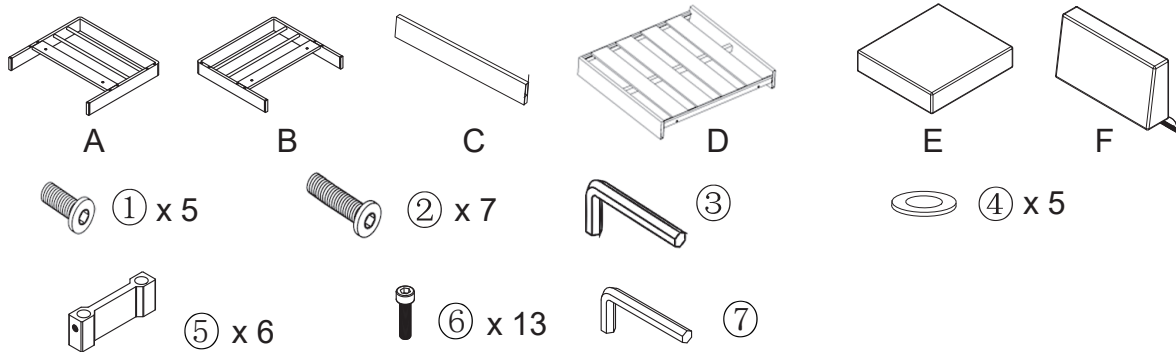
Label	Picture	Description	QTY
A		Left Side Panel	1
B		Right Side Panel	1
C		Back Support Bar	1
D		Seat	1
E		Seat Cushion	1
F		Back Cushion	1

# Hardware

Label	Picture	Description	QTY
①		Bolt (M6*20MM)	5
②		Bolt (M6*25MM)	7
③		Allen Wrench (4MM)	1
④		Washer	5
⑤		Inner Plug Connector	6
⑥		Bolt (M6*20MM)	13
⑦		Allen Wrench (5MM)	1

# Assembly Preparation

Before Beginning Assembly:



- Read instructions, cover to cover-



- Have 2 adults on hand for assembly-



- Do not assemble on flooring or carpet-



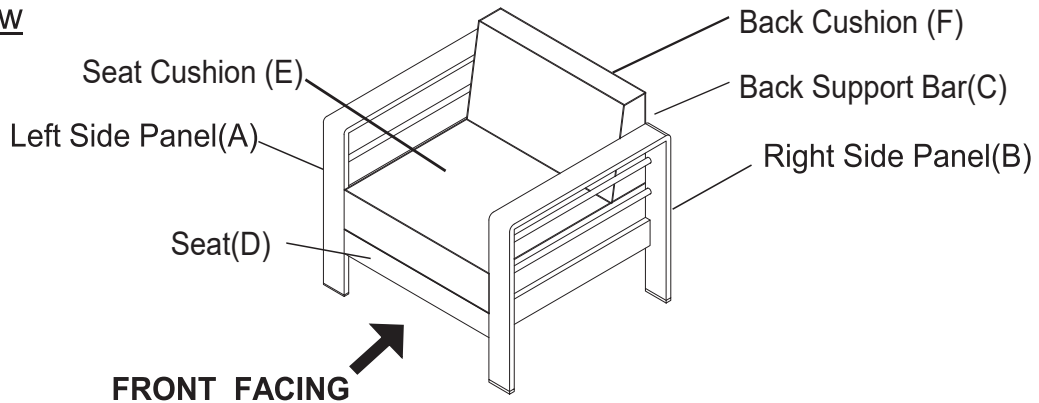
- Assemble on a clean non-marring surface (packing foam)-



- Save all packaging until finished-

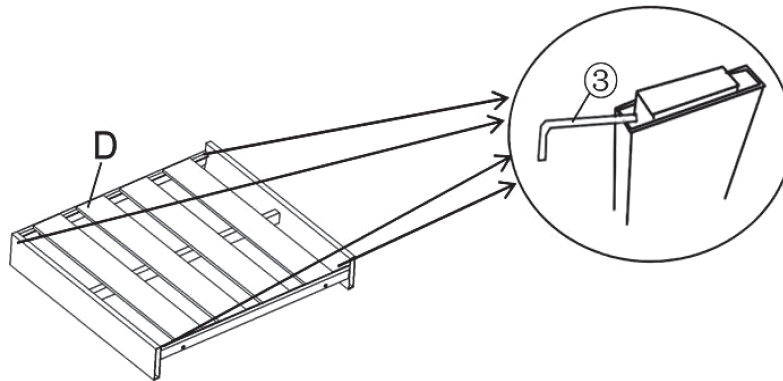
# Assembly Steps

## Overview



This Chair has multiple parts and may require up to some 30 minutes to assemble. To give you an overview of the Chair parts, the above picture is to help you put the various parts into perspective. Please read through the instructions below to familiarize yourself with the parts and steps before assembly.

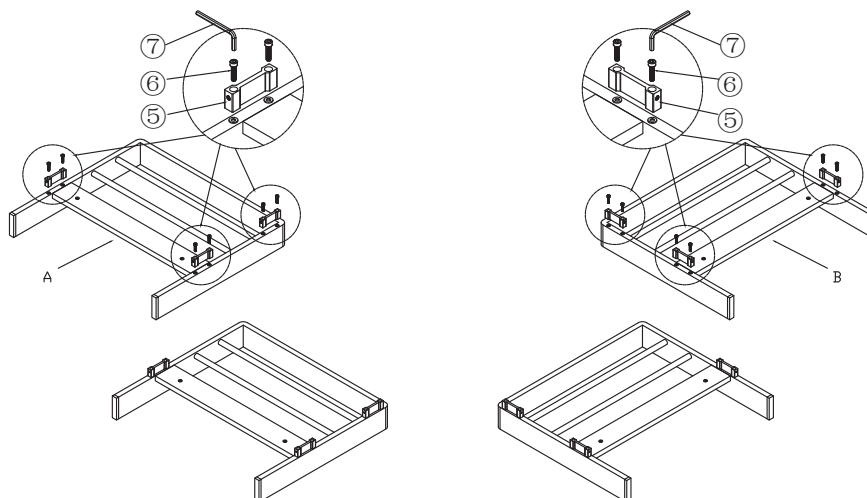
## Step 1



As shown above, use an inner hexagon Allen Wrench(③) to remove the plastic plug (to prevent aluminum deformation) from the four ends of the Seat(D).

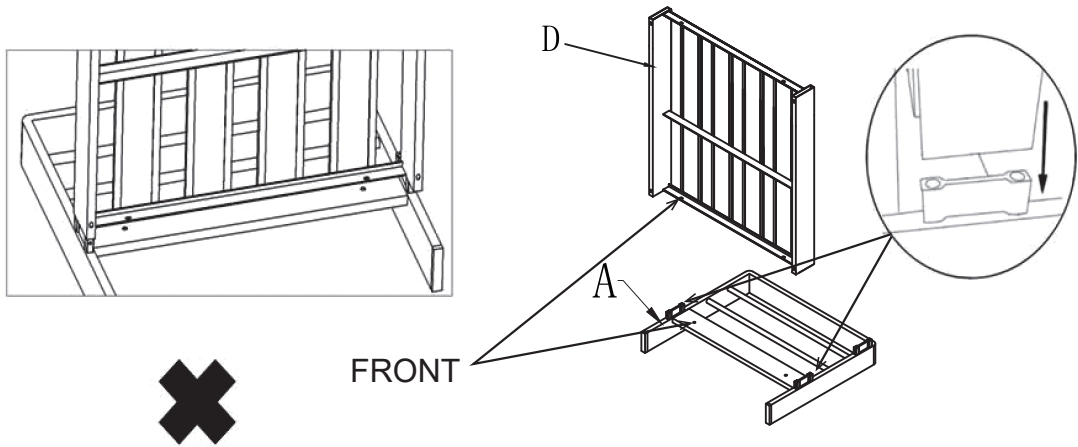
If necessary, please keep the plastic plug for repacking

## Step 2



Attach the Inner Plug Connector(⑤) to the Left & Right Side Panel (A & B), using Bolts (⑥) with Allen Wrench (⑦) .  
**Fully Tighten All the Bolts.**

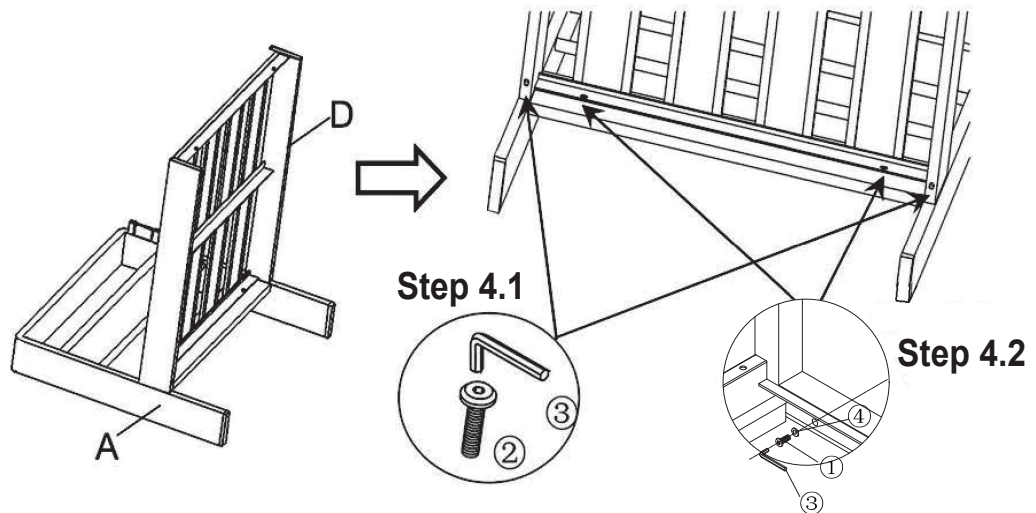
### Step 3



Attach the Seat(D) to the Left Side Panel(A) as shown above.

If you find Seat(D) misaligned with Left Side Panel(A), turn seat(D) upside down to match the installation location.

### Step 4

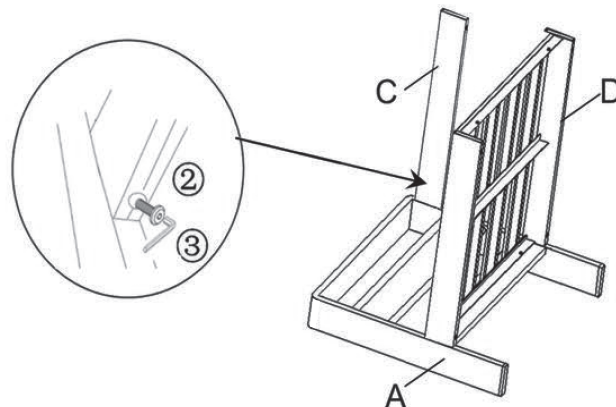


4.1) Attach Seat(D) and Left Side Panel(A) using Bolt(2) with Allen Wrench(3) as shown above.

4.2) Attach Seat(D) and Left Side Panel(A) using Bolt(1) and Washer(4) with Allen Wrench(3) as shown above.

**Do Not Fully Tighten the Bolts.**

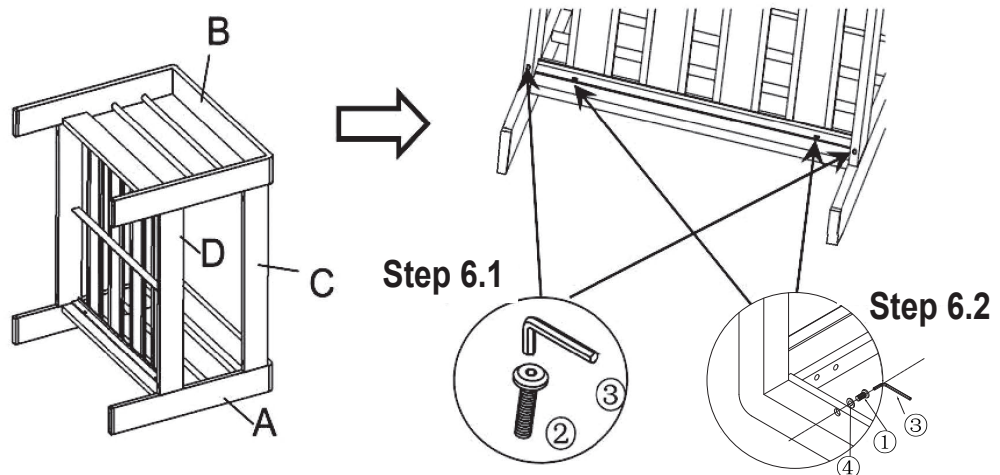
### Step 5



Attach the Back Support Bar(C) to the Left Side Panel(A) using Bolt(2) with Allen Wrench(3) as shown above.

**Do Not Fully Tighten the Bolt.**

## Step 6



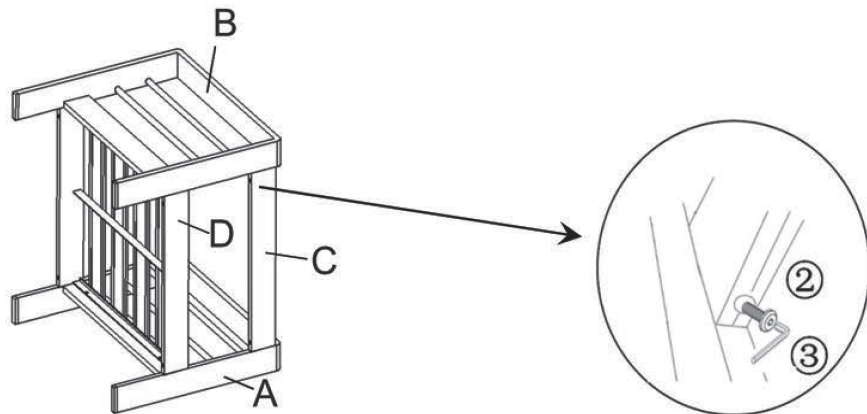
Attach the Right Side Panel(B) to the frame assembled in step 5.

6.1) Attach Right Side Panel(B) and Seat(D) using Bolts(2) with Allen Wrench(3) as shown above.

6.2) Attach Right Side Panel(B) and Seat(D) using Bolts(1) and Washers(4) with Allen Wrench(3) as shown above.

**Place the chair upright and test the stability. Then Fully Tighten all Bolts at all joints in sequence.**

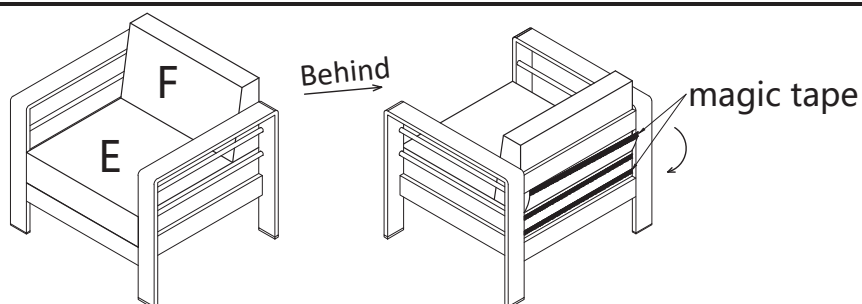
## Step 7



Attach the Right Side Panel(B) and Back Support Bar(C) using Bolt(2) with Allen Wrench(3).

**Fully Tighten the Bolt.**

## Step 8



Set up the single chair.

Place single chair on level. Check and ensure that all parts are fully connected.

Sit gently and carefully on the sofa.

This will help align all the parts at all the joints.

Then carefully leave the sofa and tighten all the bolts in sequence. Place the seat cushion (E) and back cushion (F) on the single chair, and attach the magic tape from the back cushion to the seat cushion.

Your single chair is ready.