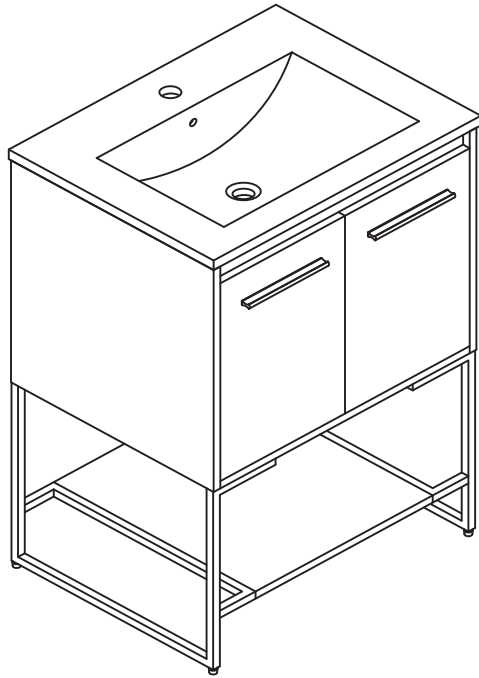
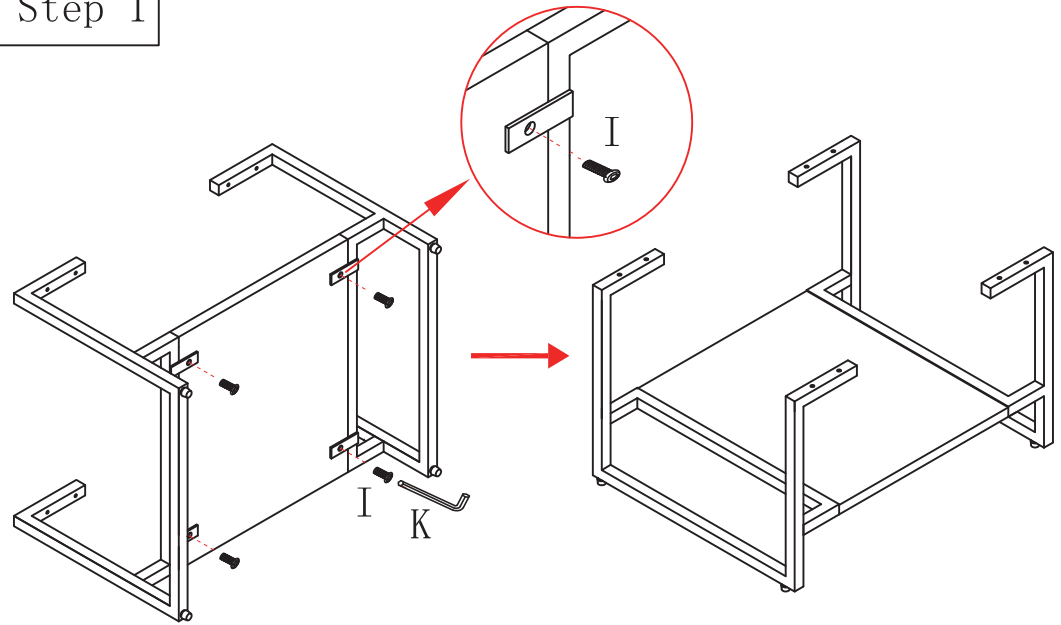


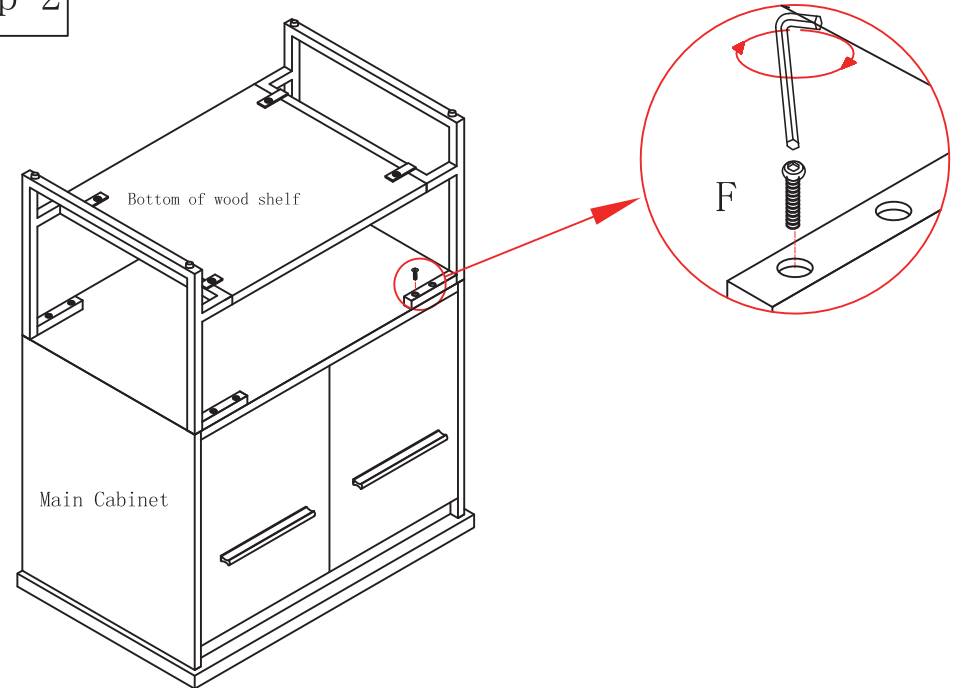
ASSEMBLY INSTRUCTIONS



Step 1



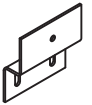








Step 2

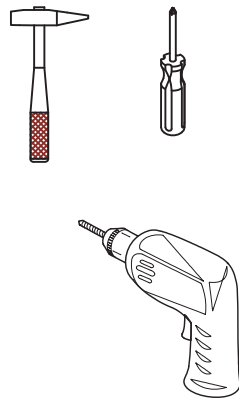


The main cabinet upside down.

Hardware

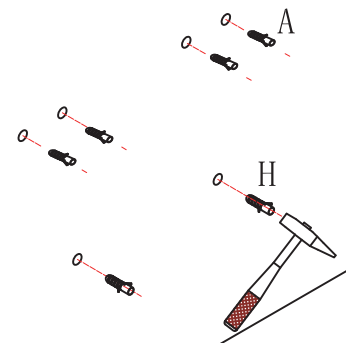
NO.	Parts	QTY	NO.	Parts	QTY
A	 (M6*1.18")	4	E	 (M6*2.36")	2
B		2	F	 (M6*1.02")	8
C	 (T4*1.38")	4	H	 (M8*1.57")	2
D	 (T4*0.55")	2	I	 (M6*0.55")	4
			K		1

Tools



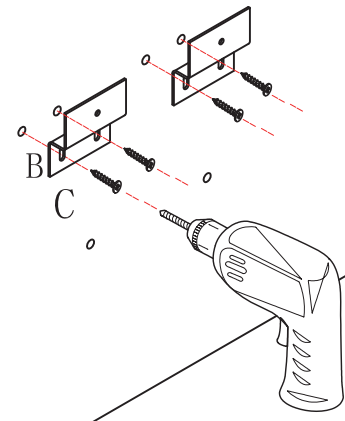
Step 3

Wall

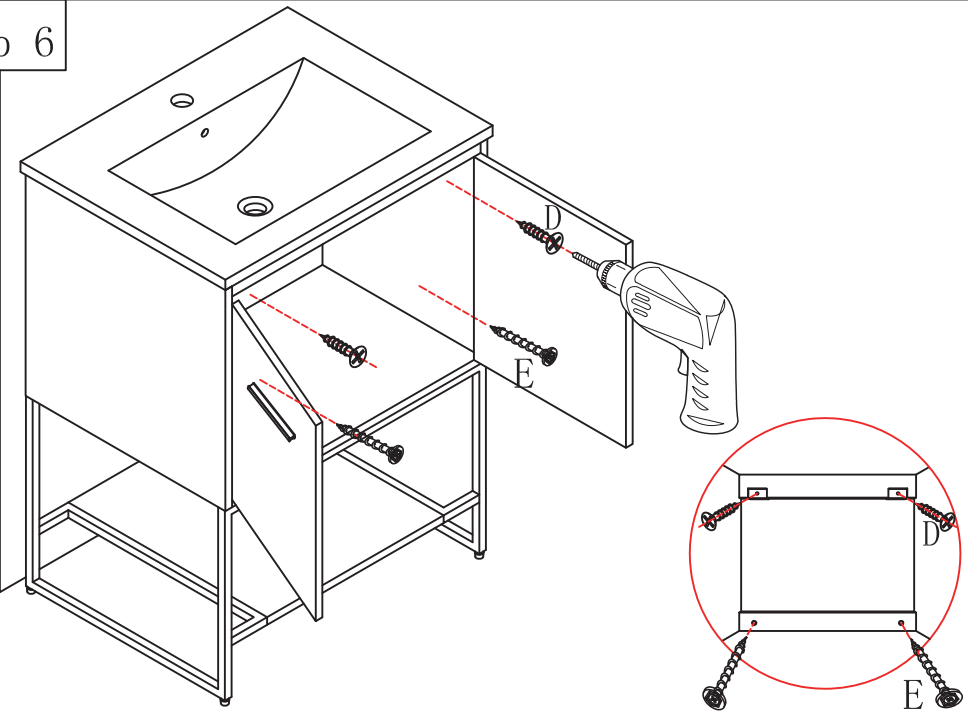


Step 4

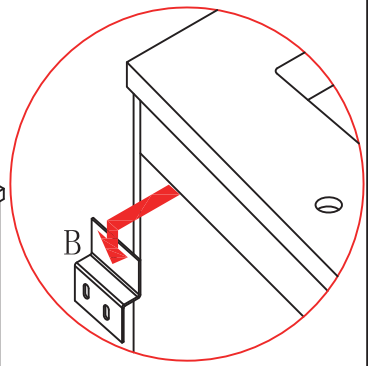
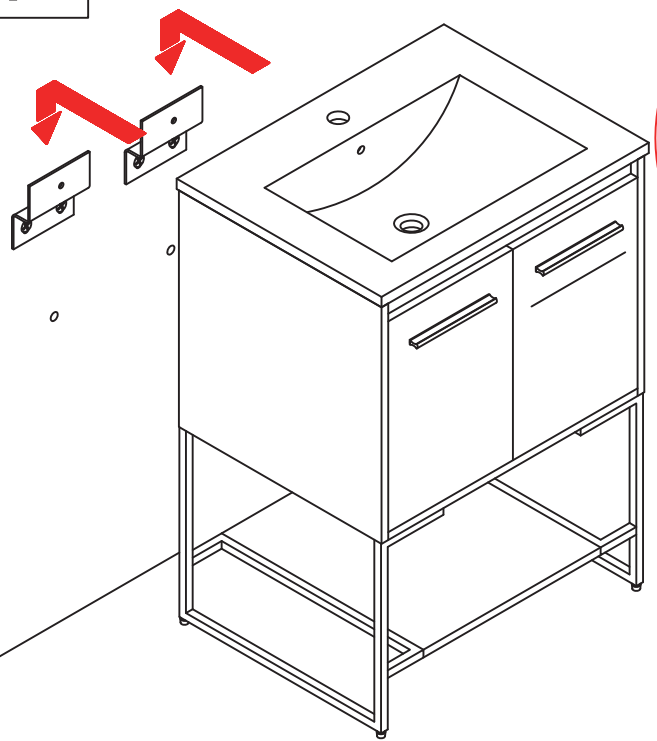
Wall



Step 6



Step 5



Finished

33.85"

