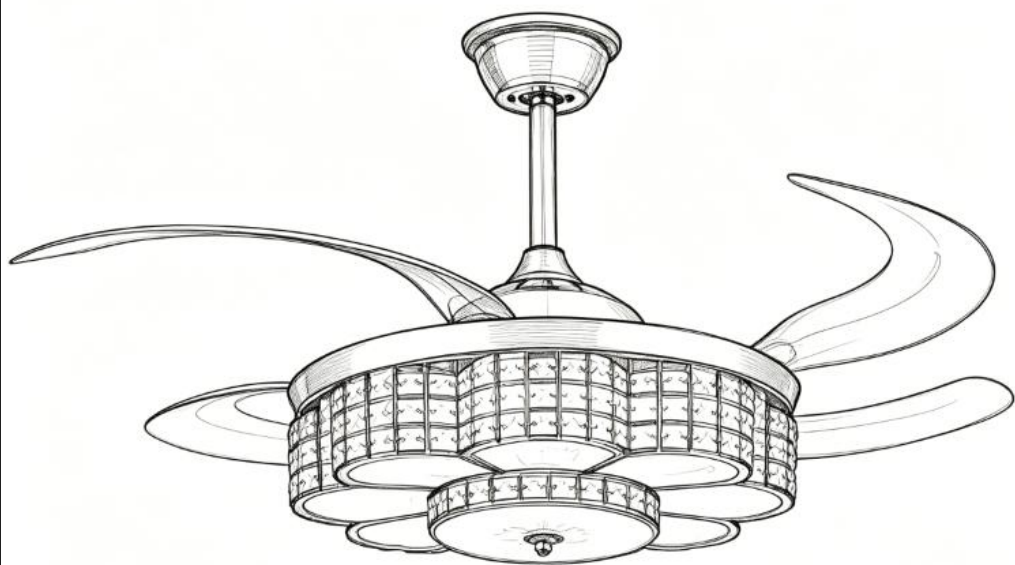


User Manual

CEILING FAN



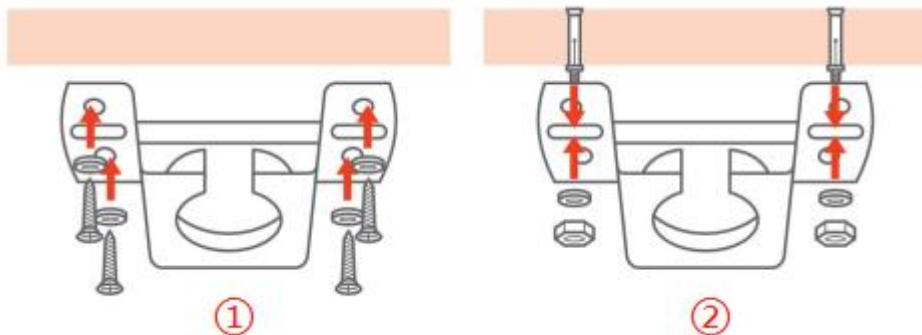
NOTE

If you found the Damaged Accessories, please contact us for Free Replacement.

Choose a way to install the hanging bracket

Fig. 1 Install on the wooden ceiling with screws passing through small 4 holes

Fig. 2 Install on the concrete ceiling, with screws passing through middle 2 holes

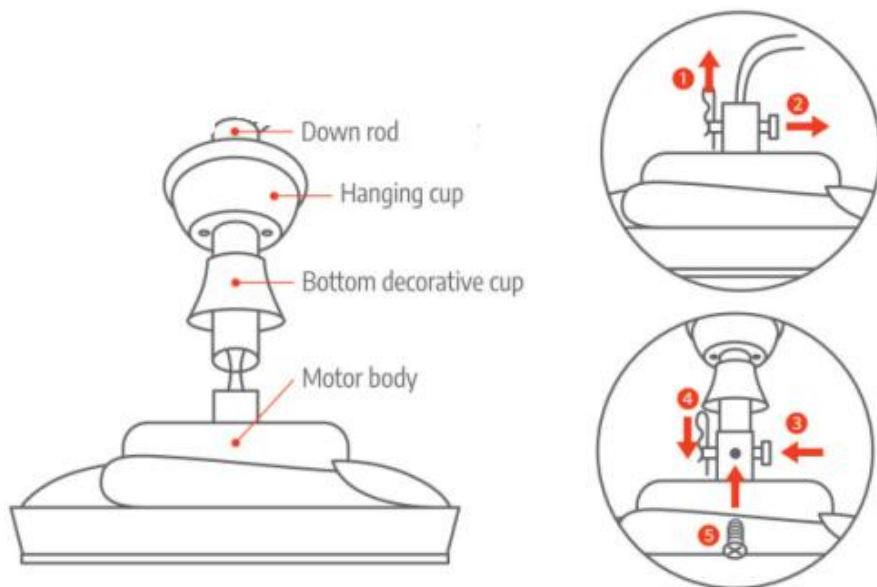


Install bottom decorative cup/hanging cup/hanger

STEP 1 Pull out the R pin and side pin on the down rod

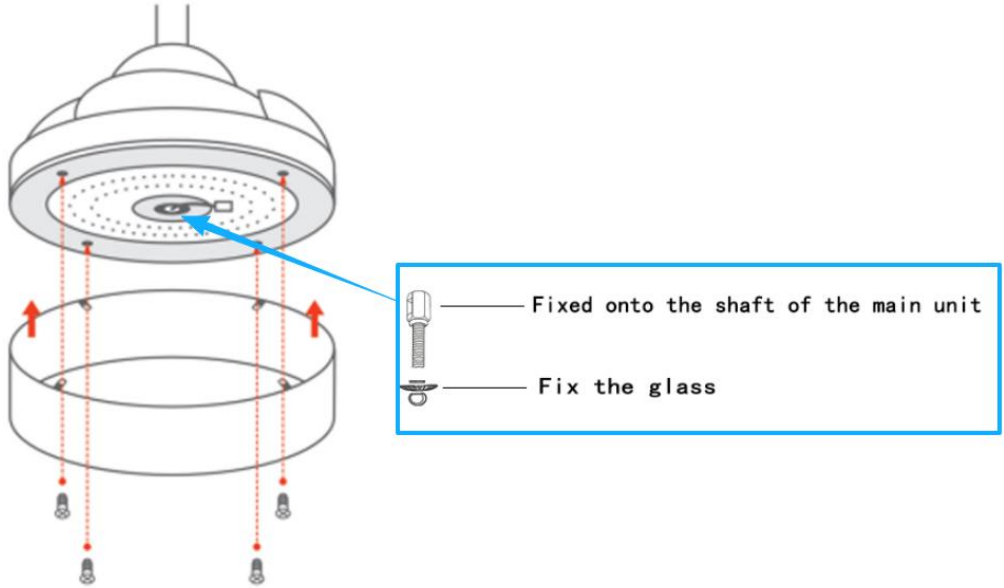
STEP 2 Make the down rod go through the bottom decorative cup , hanging cup, as shown in the drawing. Then let power cord go through the down rod from the bottom to the top. Insert the down rod into the motor interface. Tighten both sides screws to avoid fan light shaking.

STEP 3 Insert the side pin and fix it with R pin.



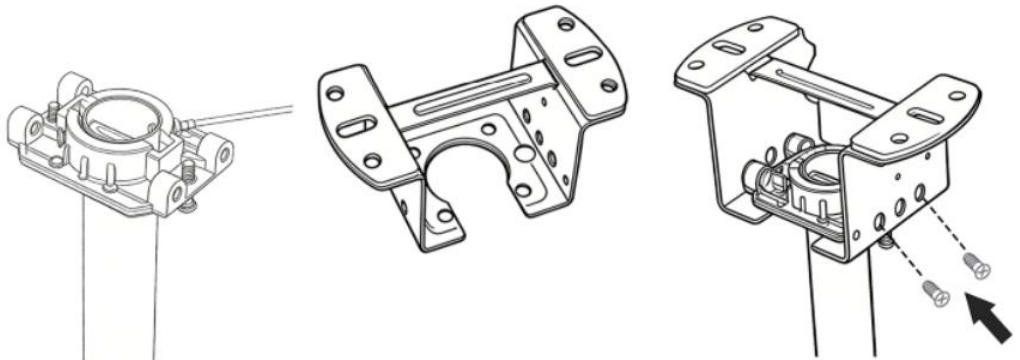
Installation of light source, driver, lampshade and speaker

- Connecting light source and drive.
- Remove the reserved screws on the base, align the lampshade with the arrow mark, then fasten the lampshade in place.
- Insert the semicircular glass pieces through the middle round opening, and place them one by one around the lampshade.
- Take out the reserved threaded rod, screw it onto the lower end of the motor, and fix the middle glass in sequence with the accessories.



Hanging the Motor

Lift the fan carefully and put the down rod ball assembly into the mounting bracket to ensure that the down rod ball is correctly locked in place.

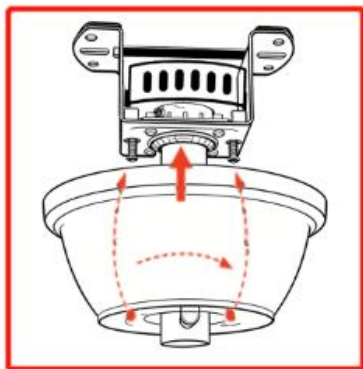
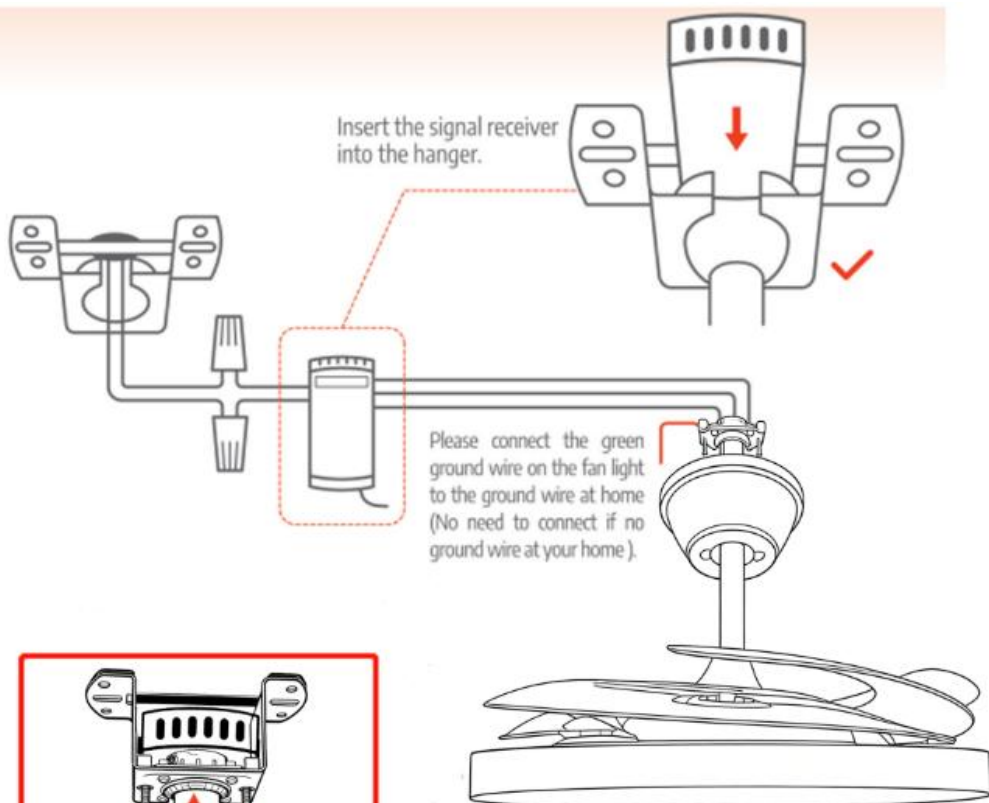


Connect the signal receiver&fix the hanging cup

Connect to the wires coming from the down rod.(same color connected together,fix them with terminal cap).The two wires at the other end of the signal receiver are connected to the home circuit.

After power on, it can be used normally, see Figure 2 to continue the installation.

As shown in Figure 2, fix the hanging cup.



②

Done, That's great !