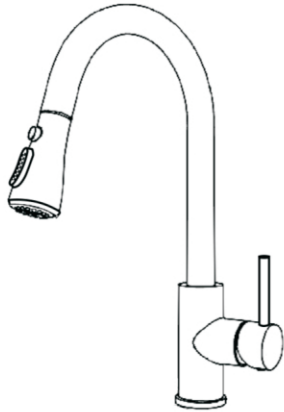


User Manual

Kitchen Sink Faucet with Pull Down Sprayer



Product Features:

1. Pull down kitchen sink faucet with brass core.
2. Using ceramic cartridge valve to control water volume and temperature.
3. One nozzle with two spray modes.
4. Single or three hole installation when using escutcheon.

Installation Tips:

- ① The nozzle button is activated when water passes through.
- ② After the weight is installed, the sprayer can be retracted well.
- ③ Before installing a new faucet, flush contaminants from the water supply line for 40-60 seconds until the water becomes clean.

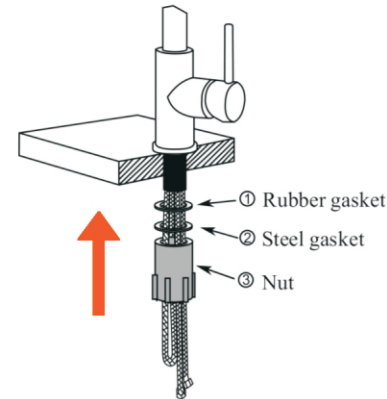
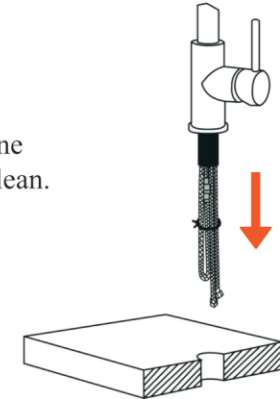
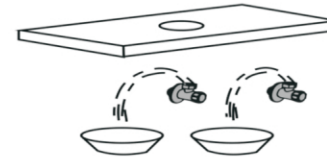
Tools:

Please prepare gloves, adjustable wrench and screwdriver before installation. For safety reasons, please wear gloves the whole time during installation.

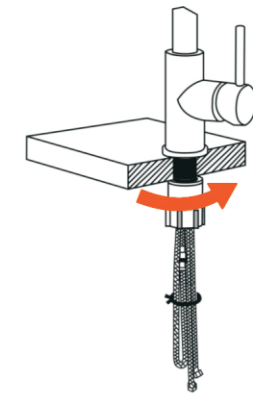


2. Place faucet and all hoses on the counter top.

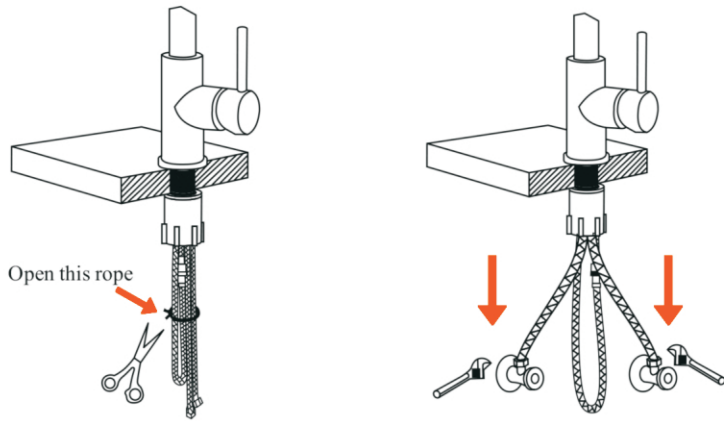
1. Flush contaminants from the water supply line for 40-60 seconds until the water becomes clean.



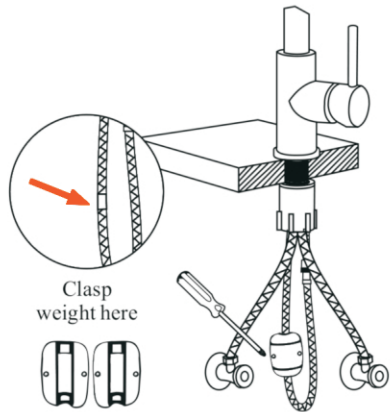
3. Place the rubber gasket, steel gasket and black nut according to the order shown in the picture.



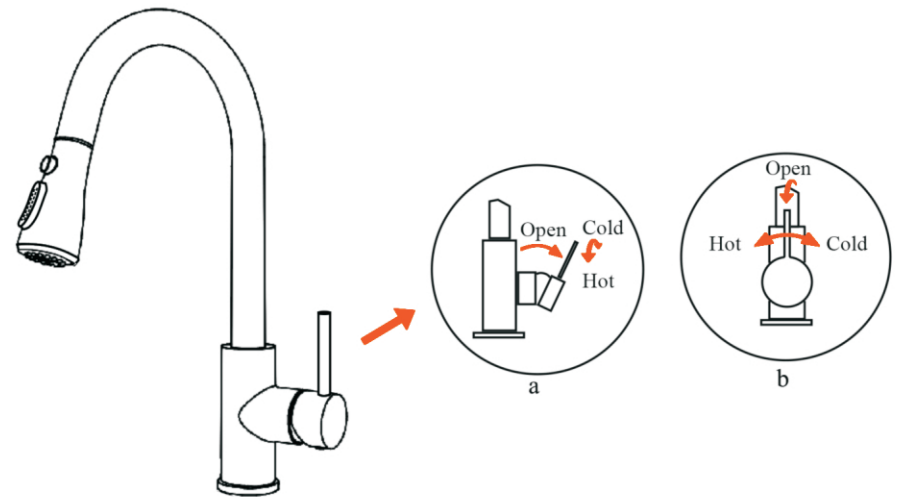
4. Tighten the black nut to the right side.



5. Loosen the rope, use a wrench to connect the hot and cold water hoses to the water supply. Be careful not to over tighten.
 (Each water hose has a washer for sealing, there is no need to use any Teflon tape for hose connections.)



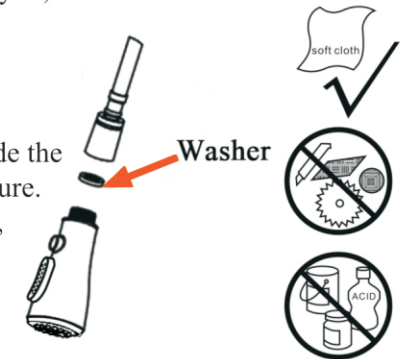
6. Use a screwdriver to open the weight, attach it to the white label position and screw it back on. Make sure the weight is on the side of the pull-down hose that connects to the nozzle.



Instruction :

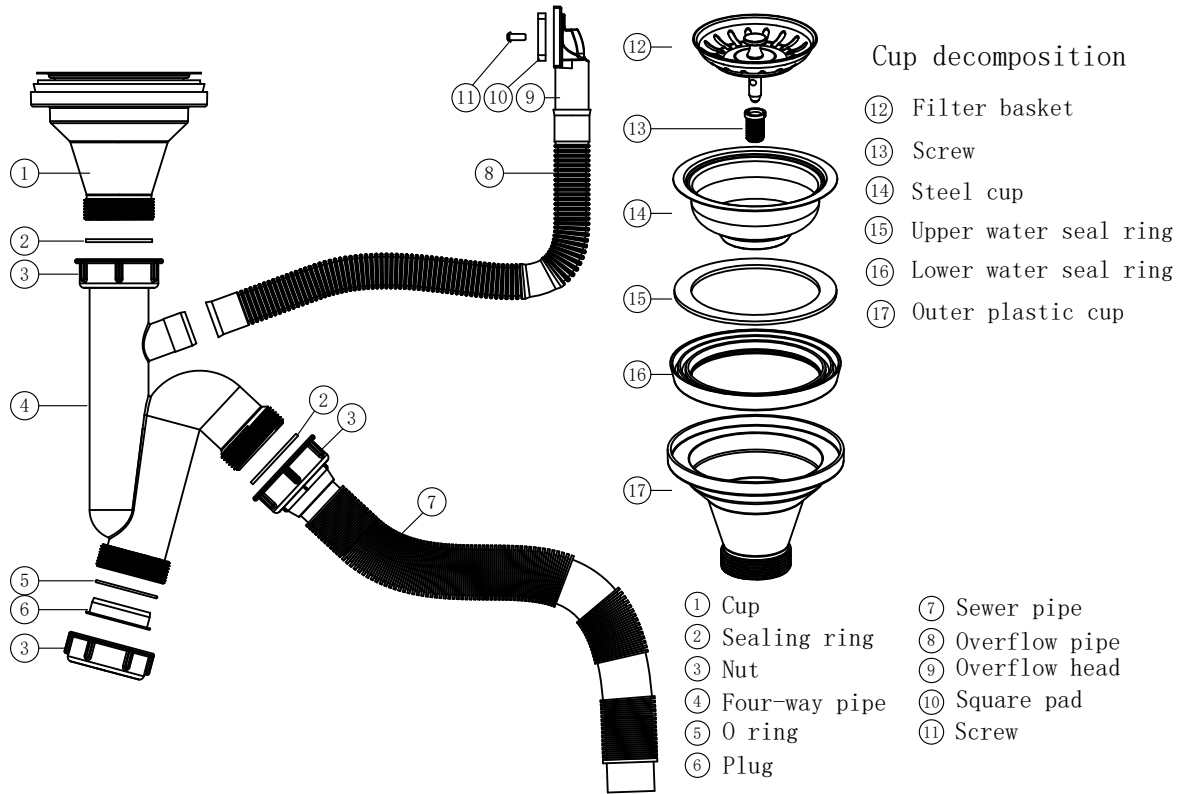
- If you place the faucet handle on the right side, pull the handle forward for hot water and push the handle backward for cold water.
- If you install the faucet handle facing you, turn left for hot water and right for cold water

- Please clean the faucet surface with a soft cloth and clean the washer inside the nozzle regularly, as shown in the picture. Please do not use any strong cleaners, harsh cleaners or sharp objects to clean the faucet.



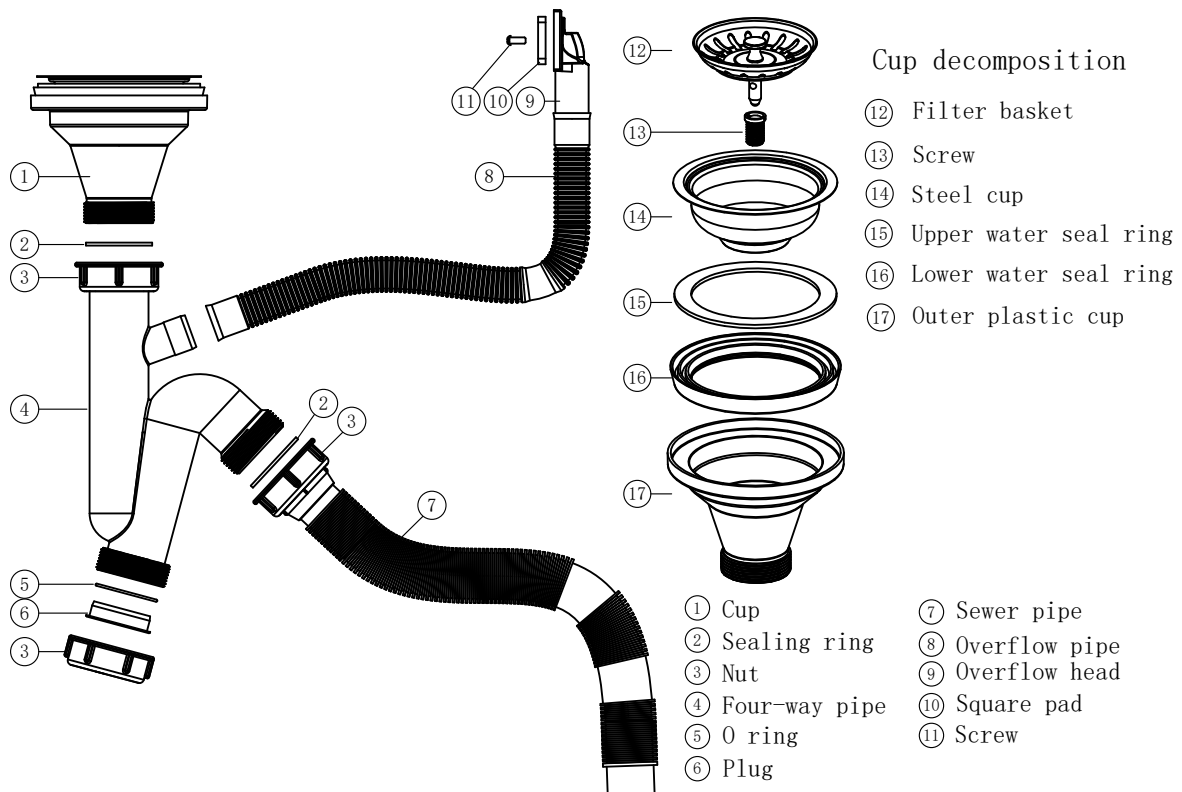
Product may be modified without notice

Product Installation Diagram



Checking each accessory before installing the product, install it step by step according to the installation diagram.

Product Installation Diagram



Checking each accessory before installing the product, install it step by step according to the installation diagram.