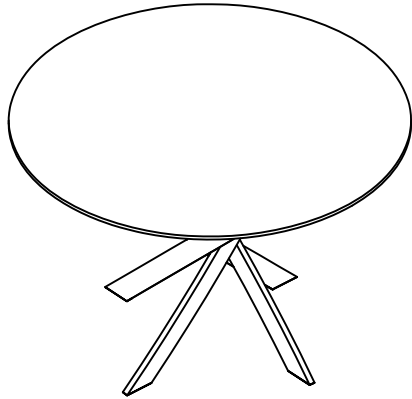


INSTALLATION INSTRUCTION

PRODUCT NAME



HARDWARE



M8*10 Screw
(A)*8



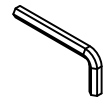
M8*15 Screw
(B)*4



M8 Nut
(C)*4



M8 Nut Driver
(D)*1



M5 Wrench
(E)*1

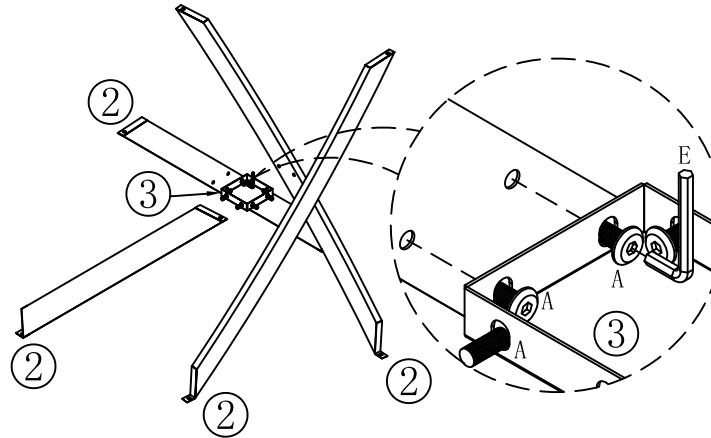


M4 Wrench
(F)*1

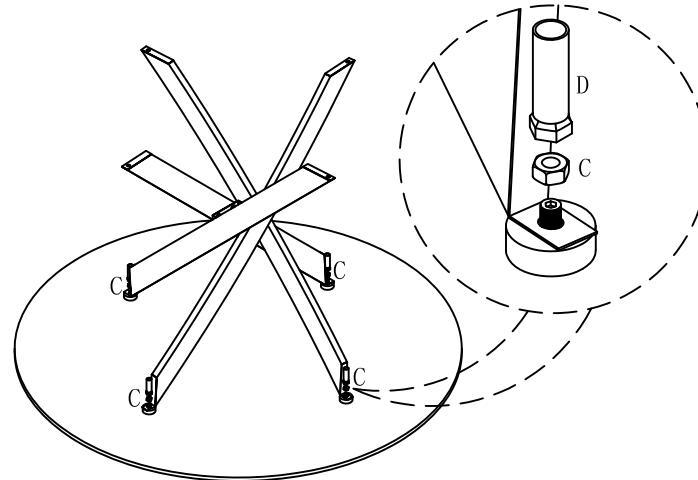
COMPONENTS

①	GLASS	1pcs
②	LEG	4pcs
③	STAINLESS STELL PIECE	1pcs

STEP 1: Put the glass upside down on the clean ground, use the screws as the drawing link the 4 legs to the stainless steel piece, but do not tie the screws here yet.



STEP3: Use the screws as the drawing to link the 4 legs to the aluminum cakes on the glass, tie well these screws, tie the screws of Step 1.



STEP 2: Put the glass upside down on the clean ground.

