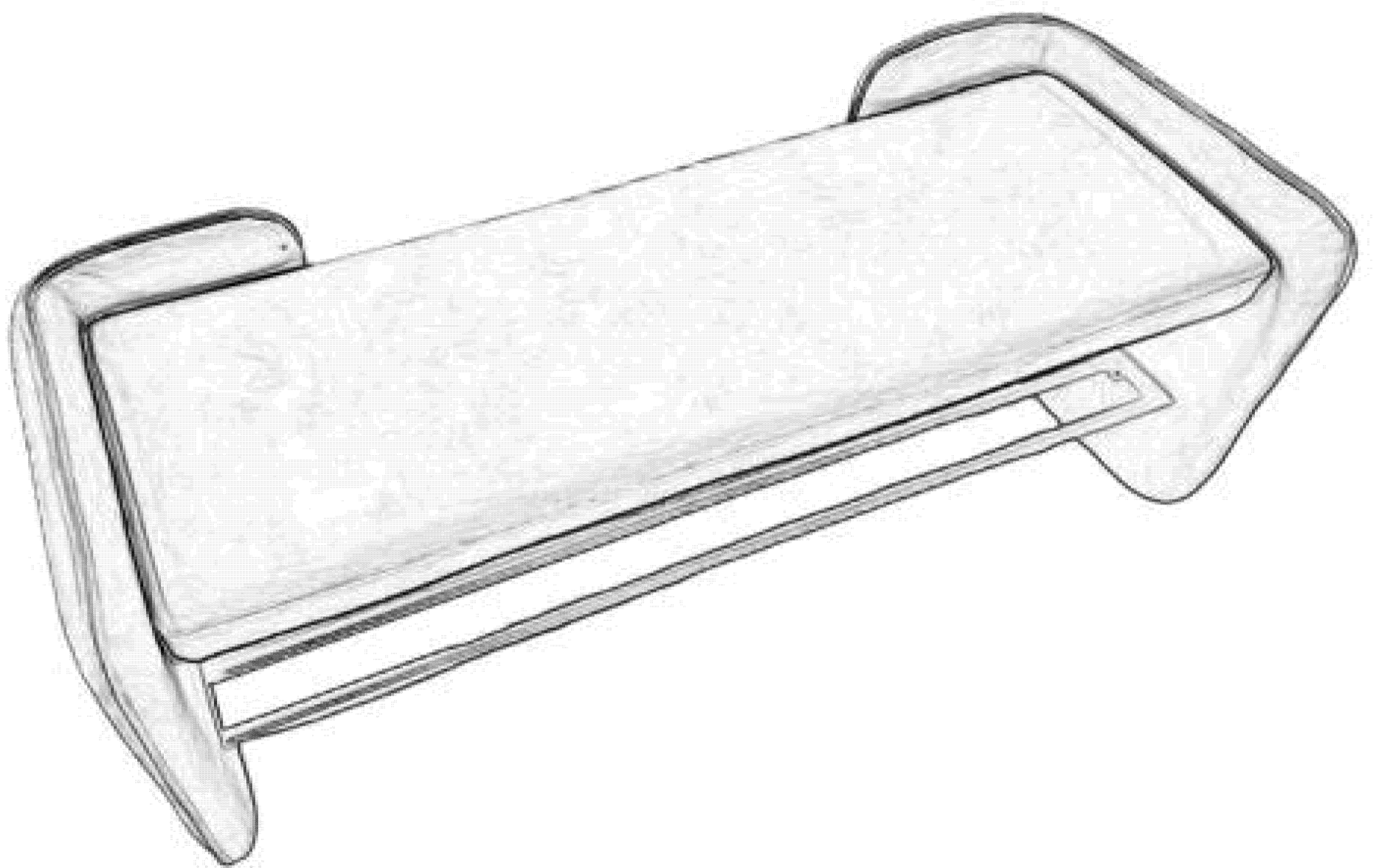


Installation & Assembly

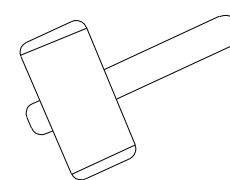


Thank you for purchasing this product. Please read these instructions fully before starting assembly, then follow the simple step by step guide.

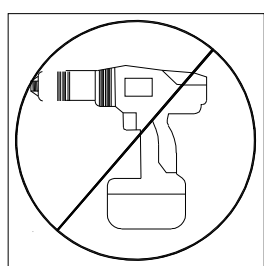
TOP TIPS BEFORE YOU START!

1. Please check that all parts & hardware are present before you start the assembly of your furniture. Do not destroy any of the packaging until your are certain that you have all thenecessary parts for assembly.
2. To ensure a smooth installation , we recommend that before you commence each step of the assembly, please identify all the parts required for that step.
3. We recommend that where possible, all items are assembled near to the area in which they will be placed in use, to avoid moving the product unnecessarily once assembled.
4. For the protection of your furniture, particularly items of high gloss finish, we recommend that the product is placed on a protected surface during assembly to prevent any damage.
5. During assembly, please take care not to over-tighten any fittings, as this may damage the product.
6. Keep children and animals away from the work area. Small parts could cause choking if swallowed.

Rubber Hammer

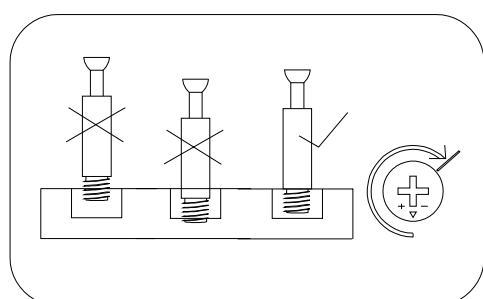
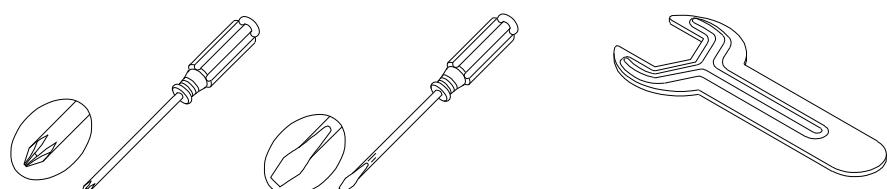


Tools Required For Assembly

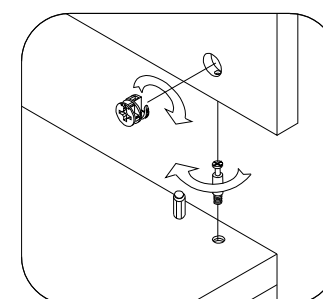
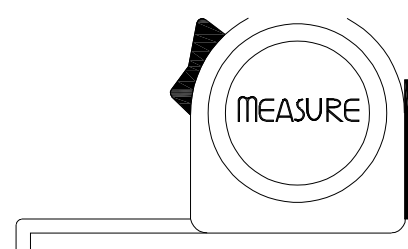


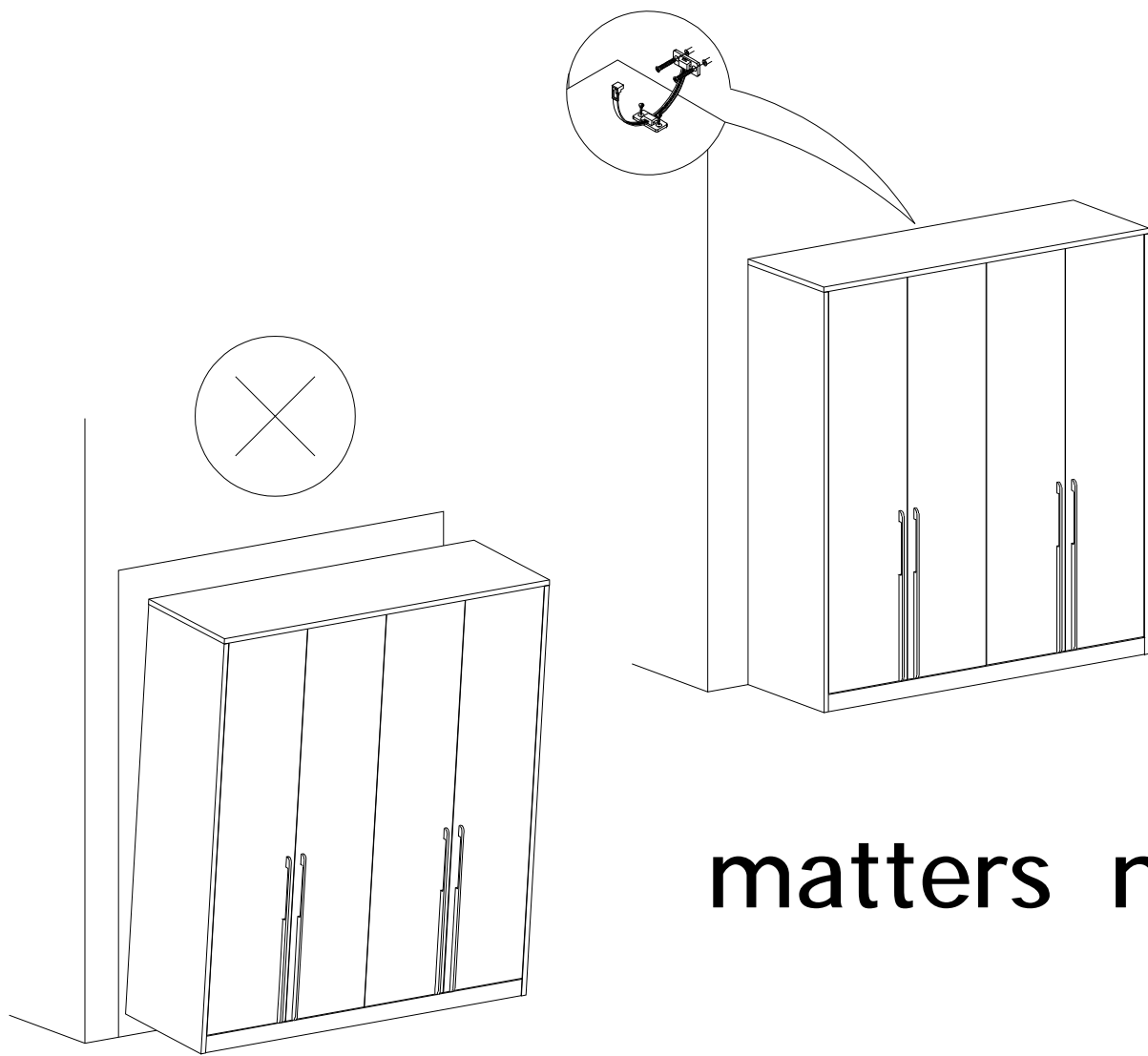
DO NOT USE POWER TOOLS TO ASSEMBLE THIS PRODUCT. USE OF POWER TOOLS WILL INVALIDATE ANY CLAIM AND MAY DAMAGE THIS PRODUCT.

Self-provided universal tool diagram:

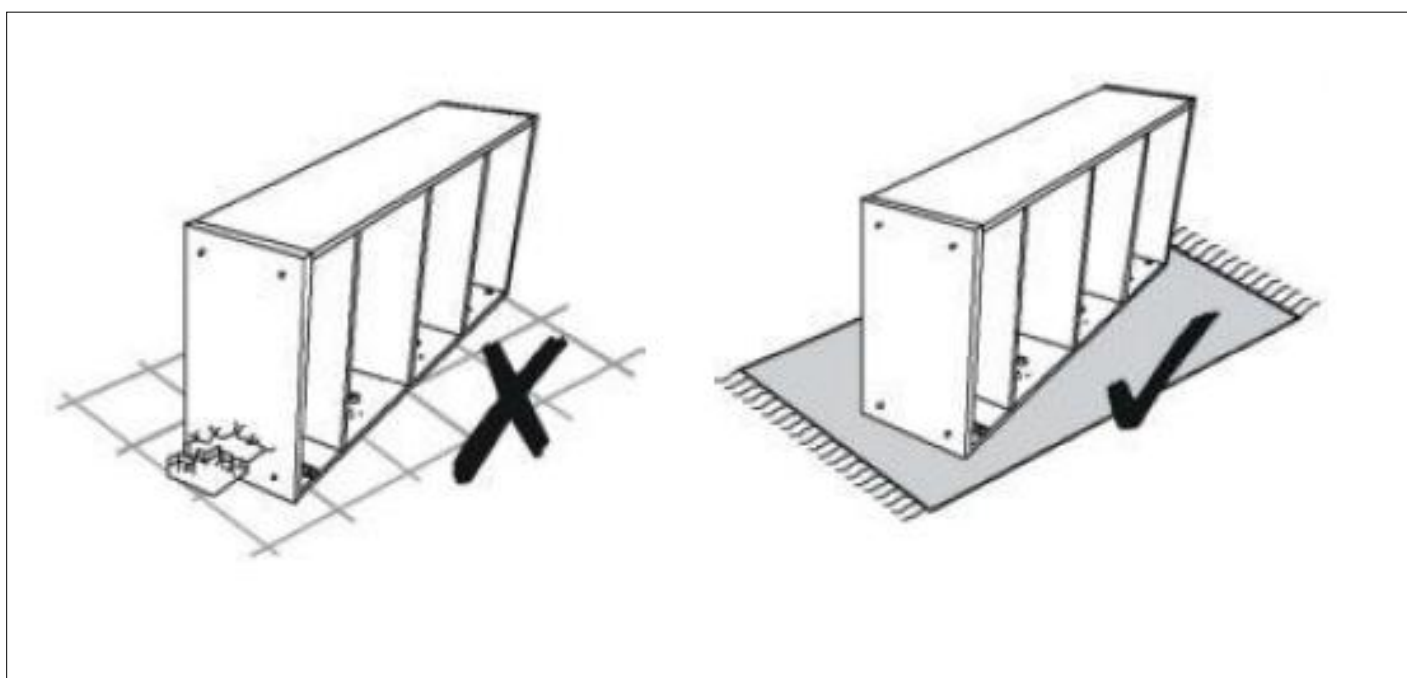
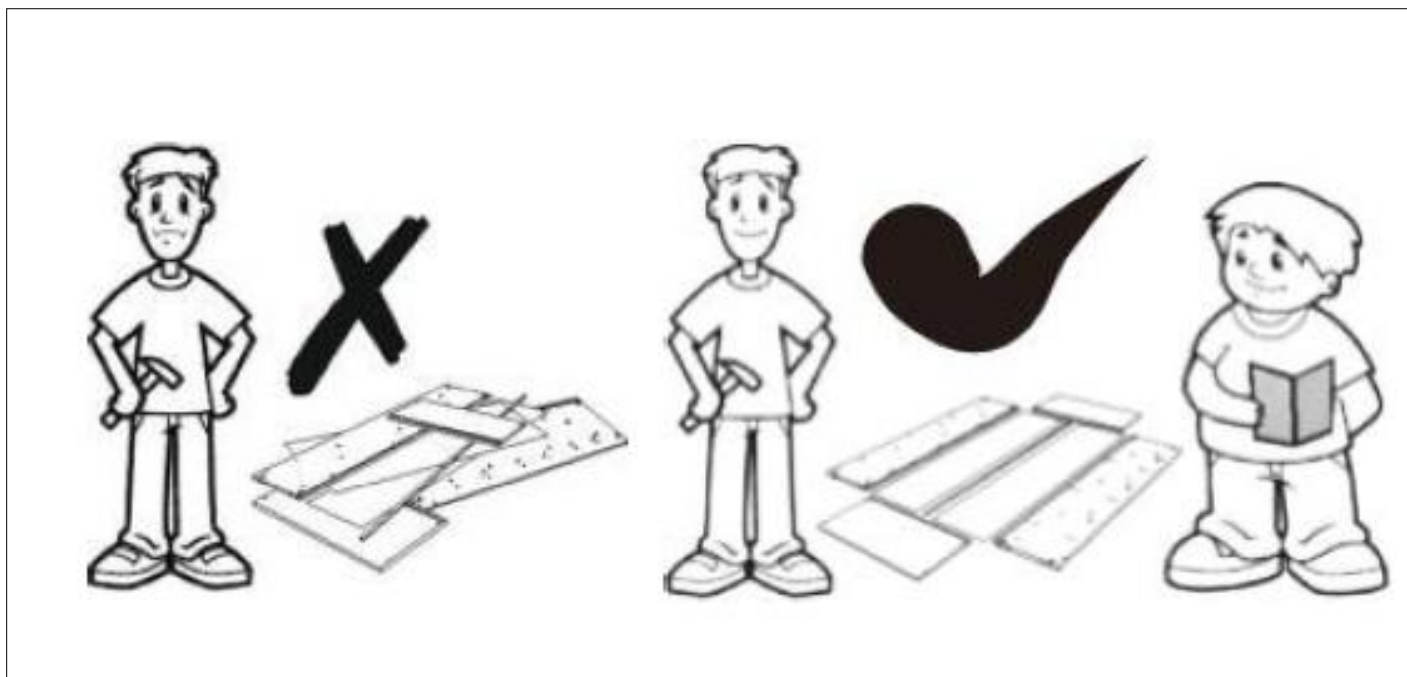


Tape Measure

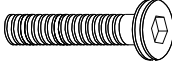
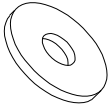
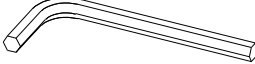




matters needing attention

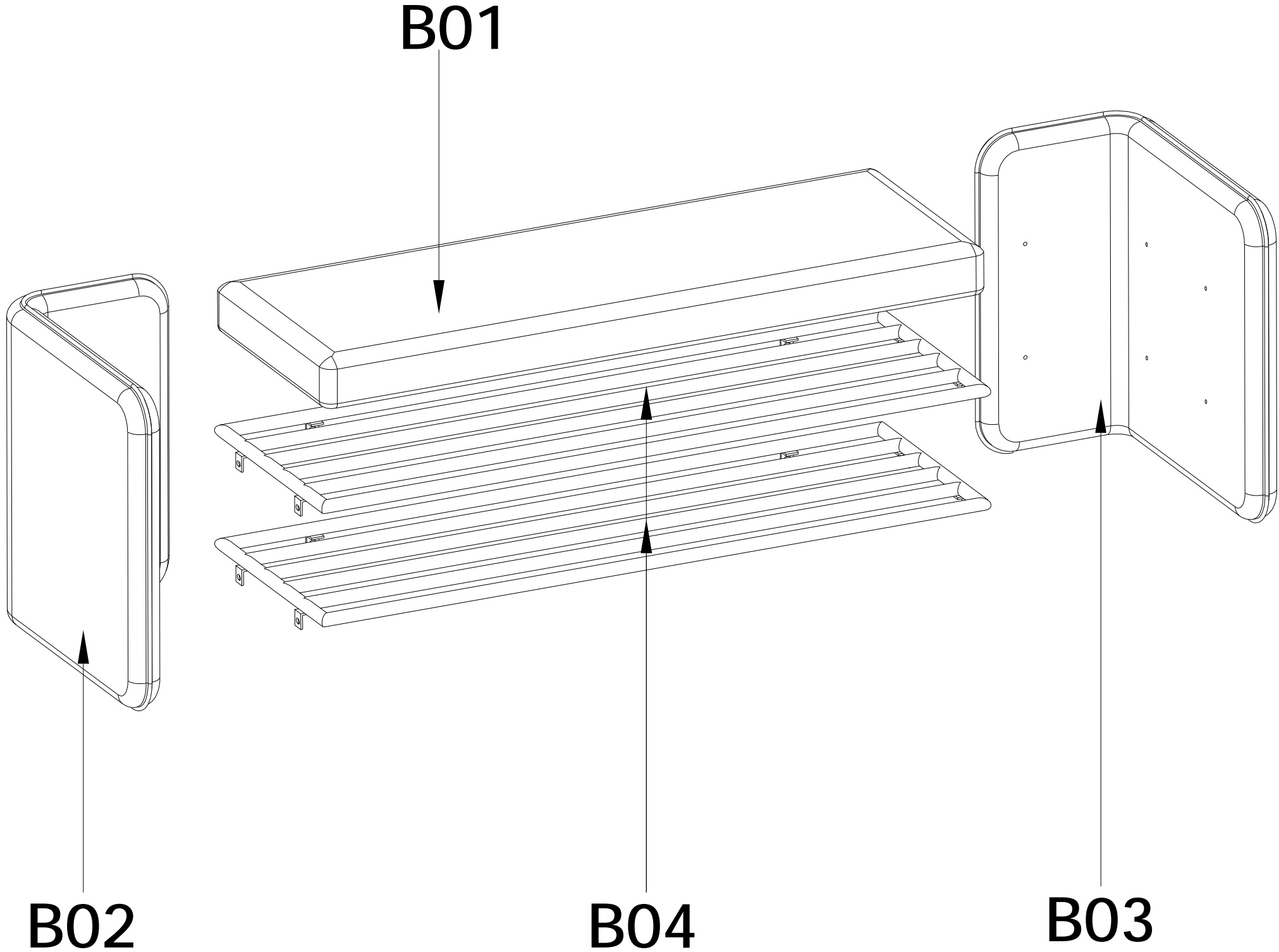


Shoe Bench Assembly Steps

<p>H1611(A)</p>  <p>Flat Head Allen Screw M6*45</p> <p style="text-align: right;">12PCS</p>	<p>HA0125(B)</p>  <p>Washer M6*16</p> <p style="text-align: right;">12PCS</p>	<p>H5105(C)</p>  <p>L-Shaped Allen Wrench 4#</p> <p style="text-align: right;">1PC</p>	
--	--	--	--

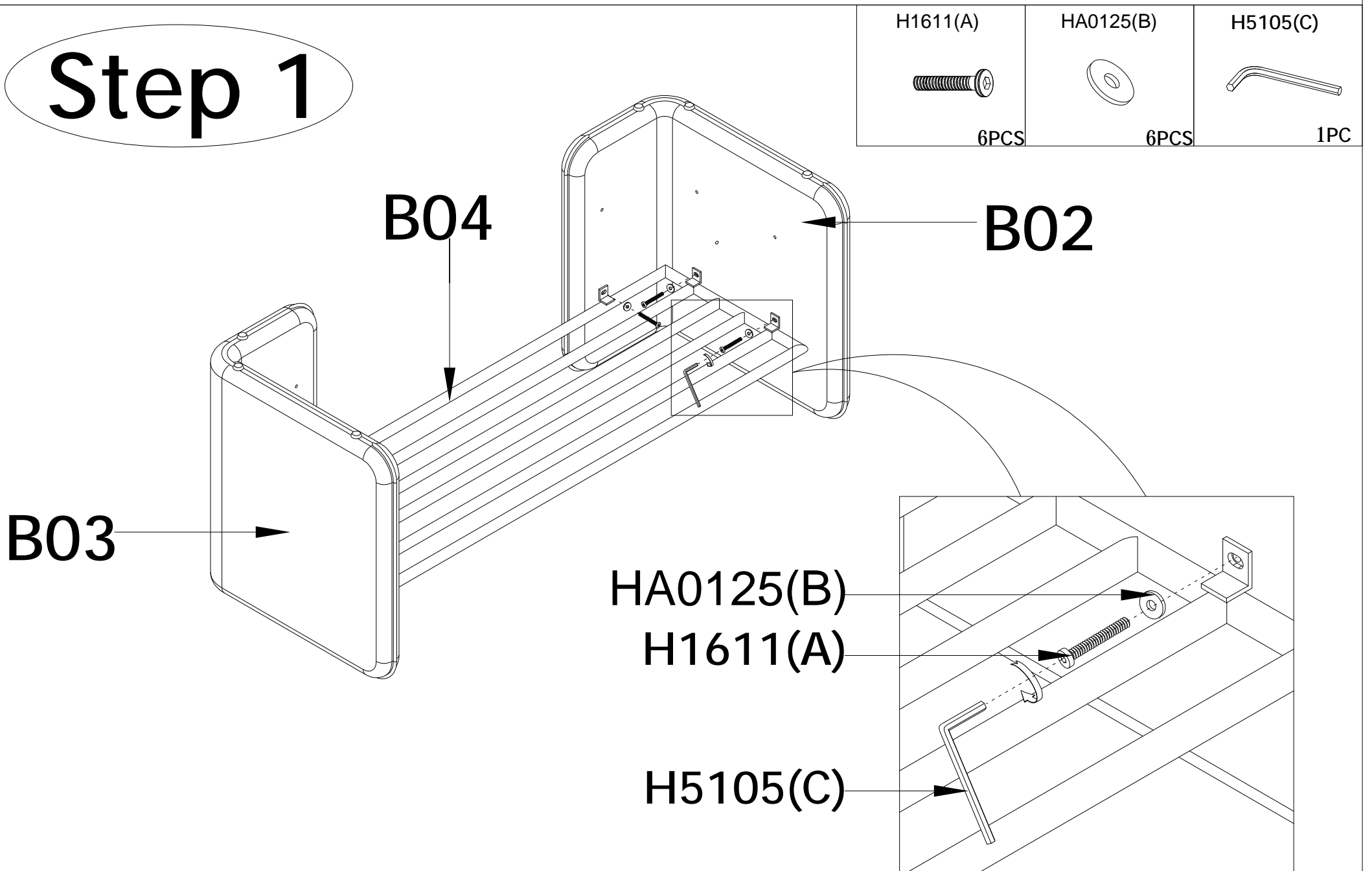
Shoe Bench Assembly Steps

B01*1 Soft Pack Seat	B02*1 Left Side Panel	B03*1 Right Side Panel	B04*2 Metal Shelf
----------------------	-----------------------	------------------------	-------------------

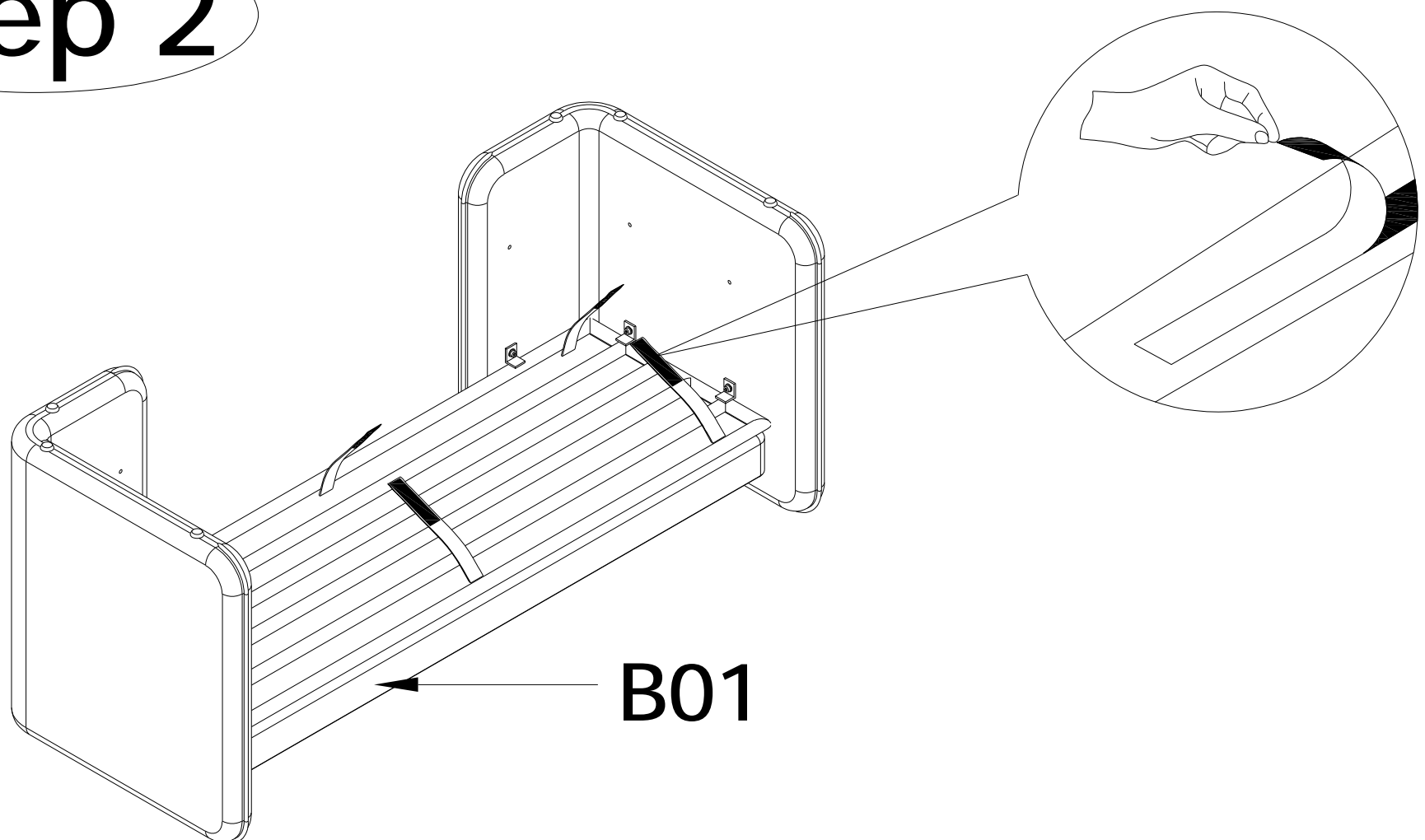


Shoe Bench Assembly Steps

Step 1

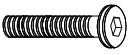




Step 2



This product has Velcro on the soft pack seat. During the installation process, carefully tear off the cloth strip and throw it away. The cloth strip is only to prevent the accessories from sticking to each other.

Step 3

H1611(A)  6PCS	HA0125(B)  6PCS	H5105(C)  1PC
---	--	--

