

**QUEEN PLATFORM BED
CAL.KING PLATFORM BED
EAST.KING PLATFORM BED
FULL PLATFORM BED**

Assembly Instructions

A . Components :

- | | |
|-----------------|------|
| 1. Headboard | 1 x |
| 2. Footboard | 1 x |
| 3. Bed Rail | 2 x |
| 4. Roll Slat | 12 x |
| 5. Center Slat | 1 x |
| 6. Slat Support | 4 x |



a



b



c



d



e

B . Hardware :

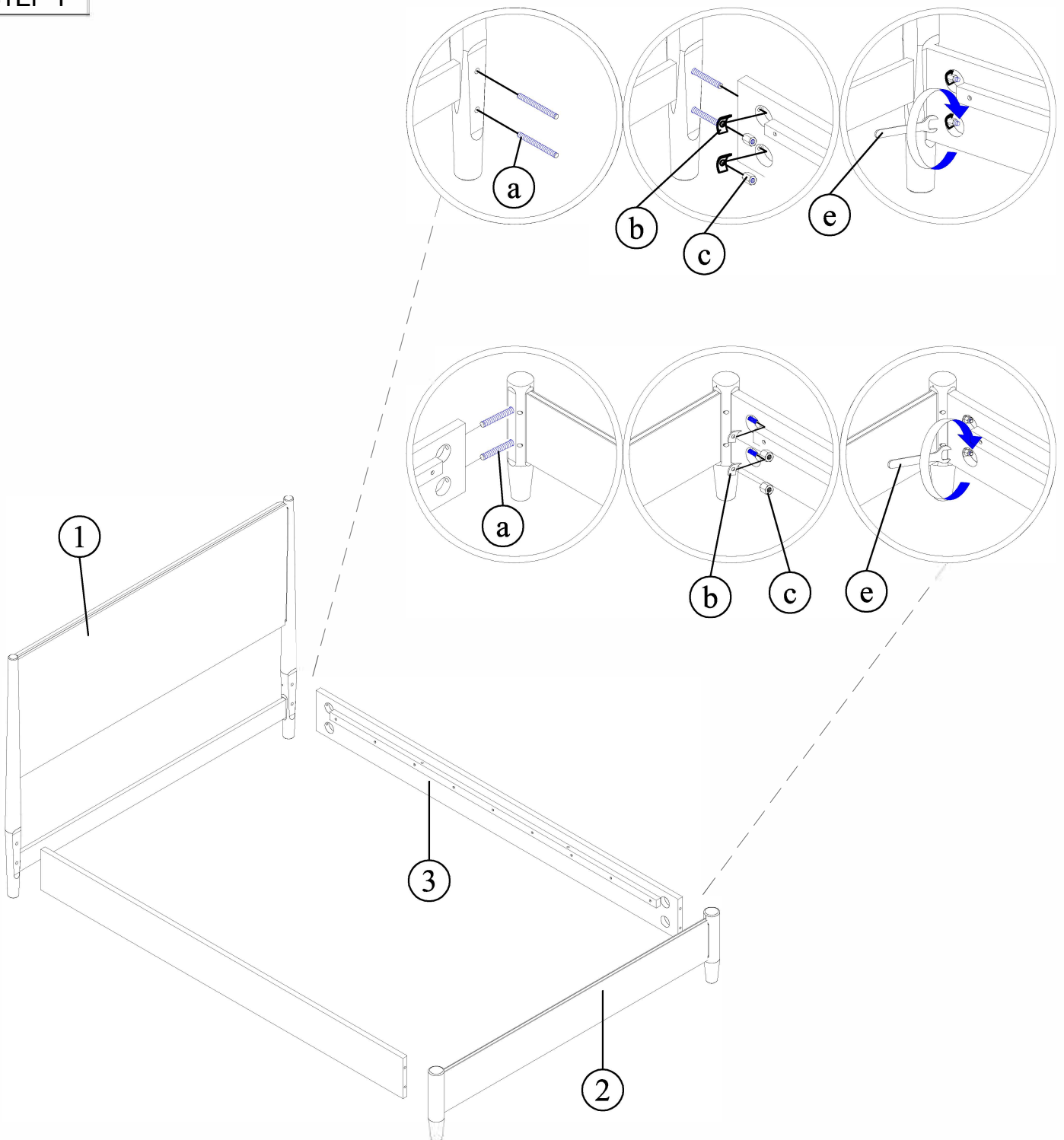
- | | |
|------------------|-----|
| a. Stud Bolt | 8 x |
| b. Square Washer | 8 x |
| c. Hex Nut | 8 x |
| d. Screw | 8 x |
| e. Wrench | 1 x |

C . Tool Required :

- Screw Driver = (not included)

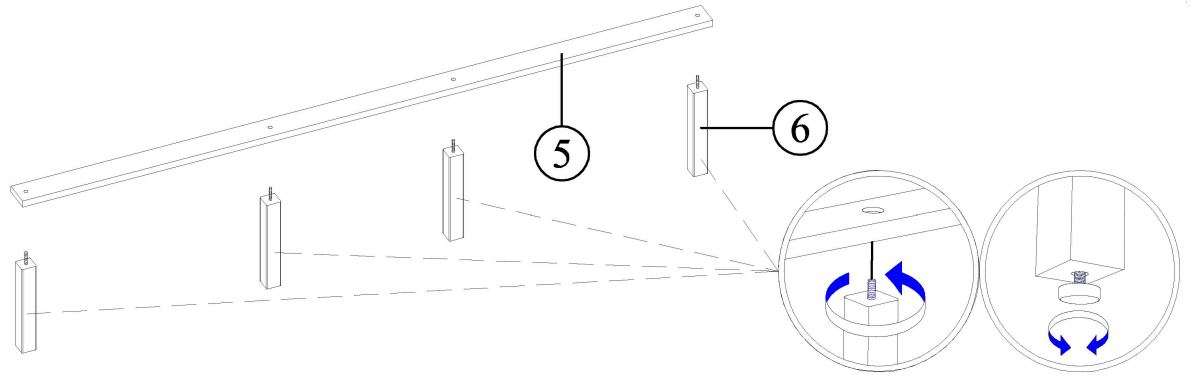


STEP 1

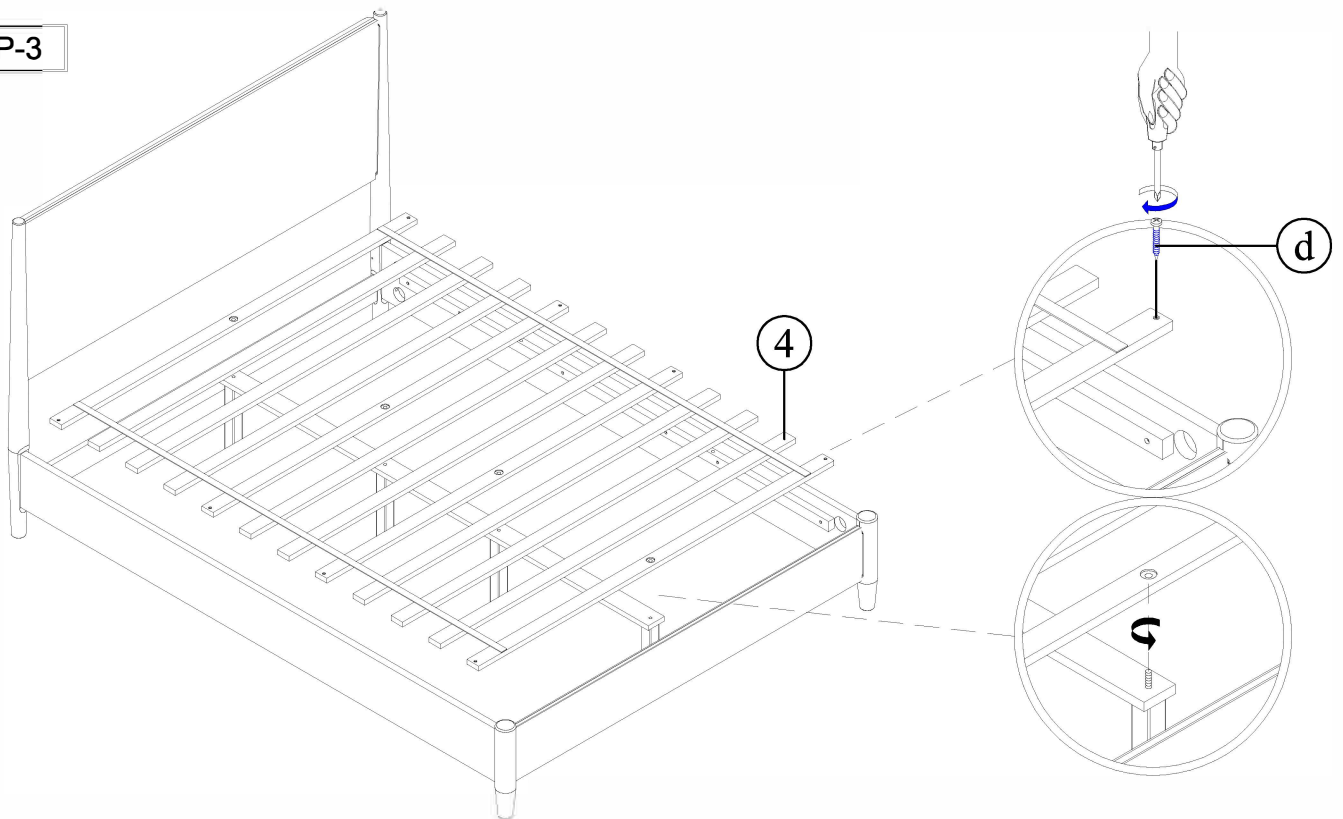


**QUEEN PLATFORM BED
CAL.KING PLATFORM BED
EAST.KING PLATFORM BED
FULL PLATFORM BED**

STEP 2



STEP-3



FINISH

