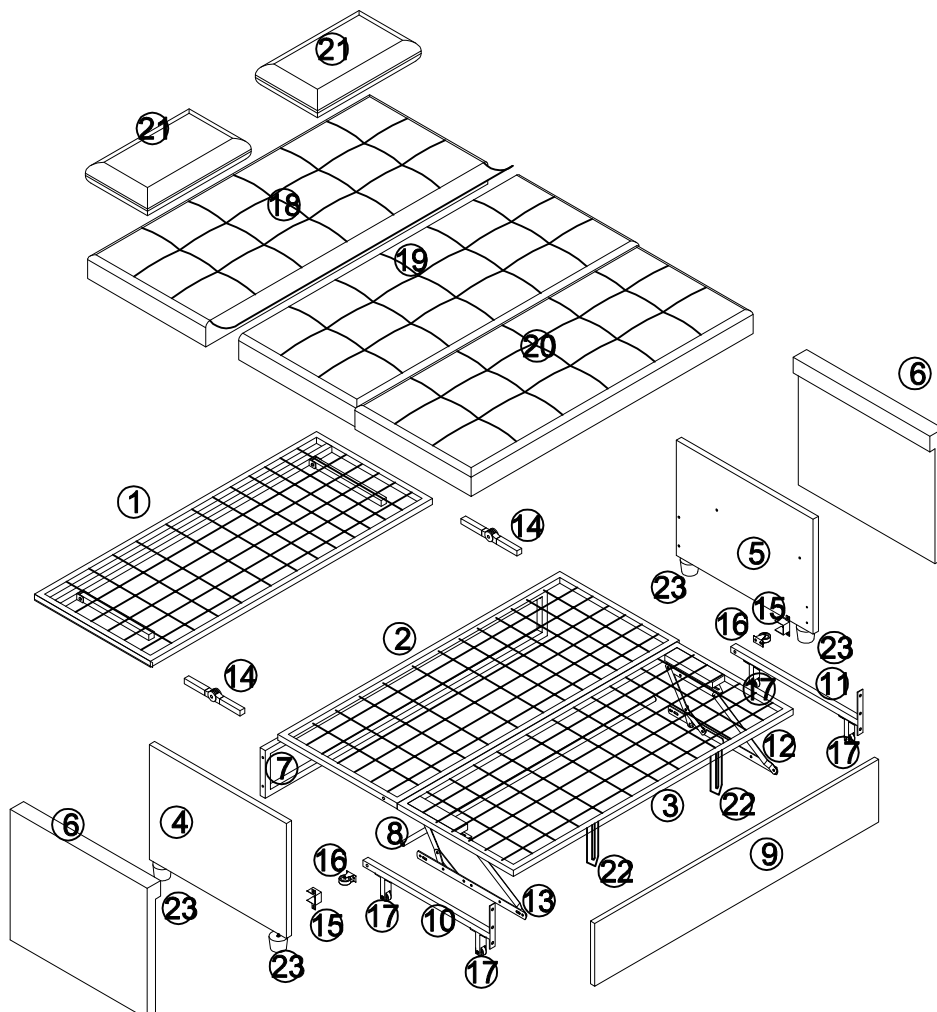
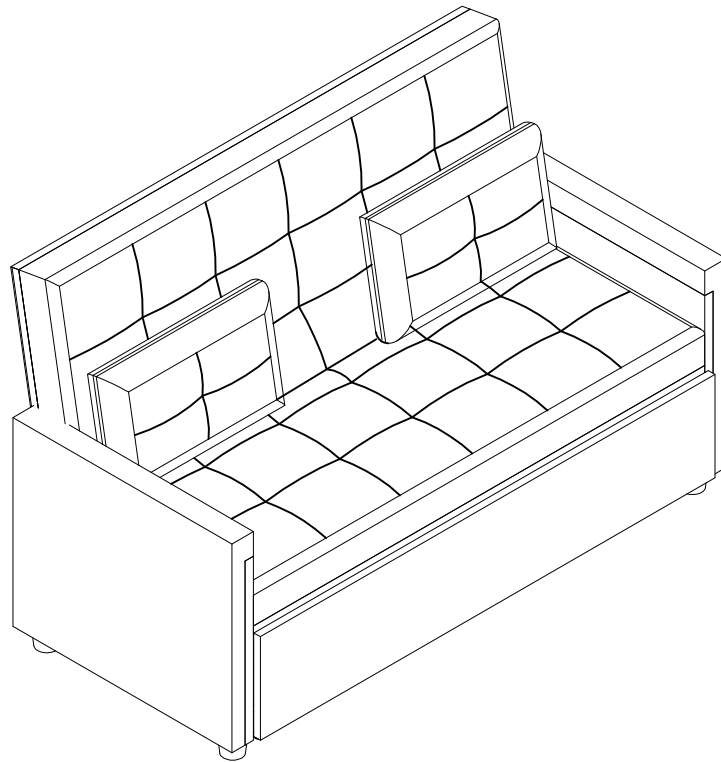
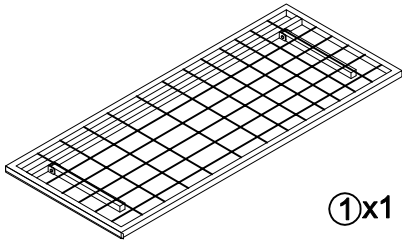


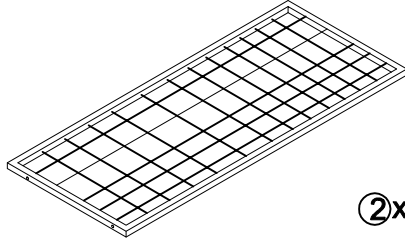
ASSEMBLY INSTRUCTIONS



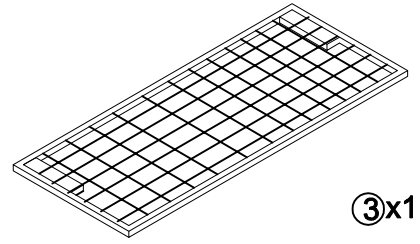
Part List



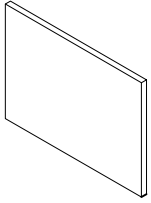
①x1



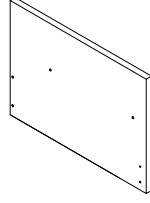
②x1



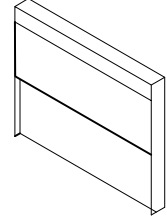
③x1



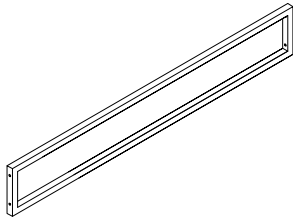
④x1



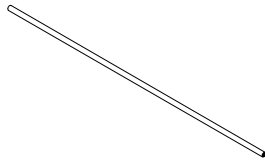
⑤x1



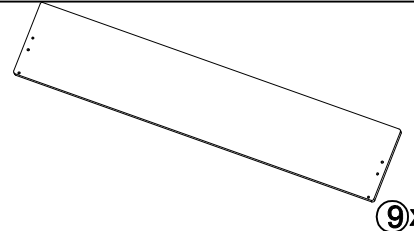
⑥x2



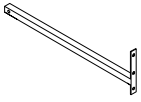
⑦x1



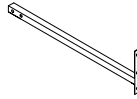
⑧x1



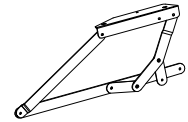
⑨x1



⑩x1

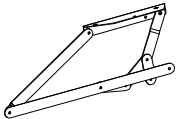


⑪x1



Left

⑫x1



Right

⑬x1



⑭x2



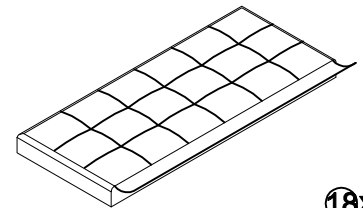
⑮x2



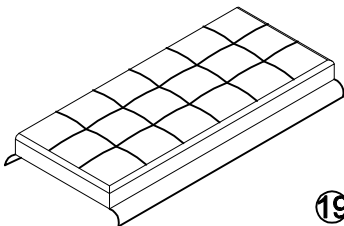
⑯x2



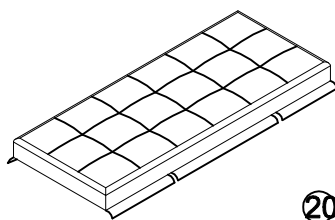
⑰x4



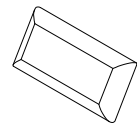
⑱x1



⑲x1



⑳x1



㉑x2



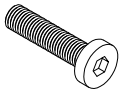
㉒x2



㉓x4

Hardware List

A



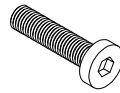
8*40MM 8PCS

B



8*20MM 20PCS

C



6*40MM 2PCS

D



6*20MM 20PCS

E



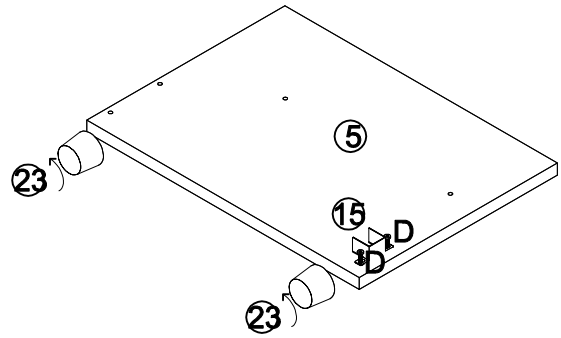
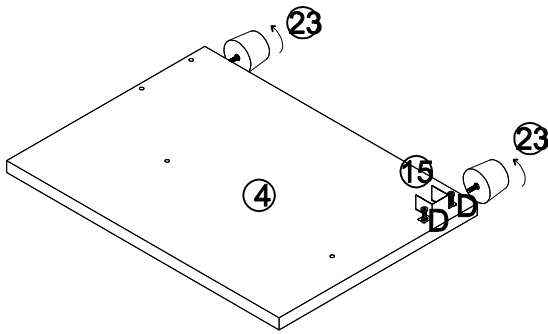
M5 1PC

F

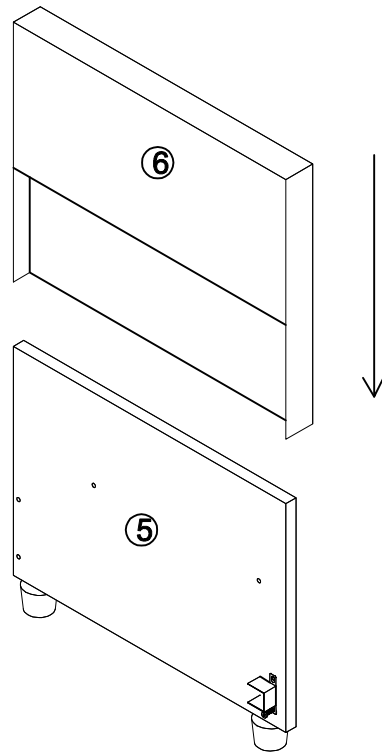
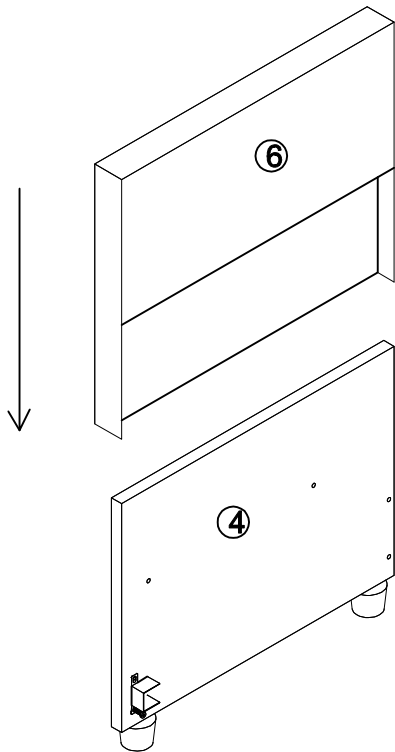


M4 1PC

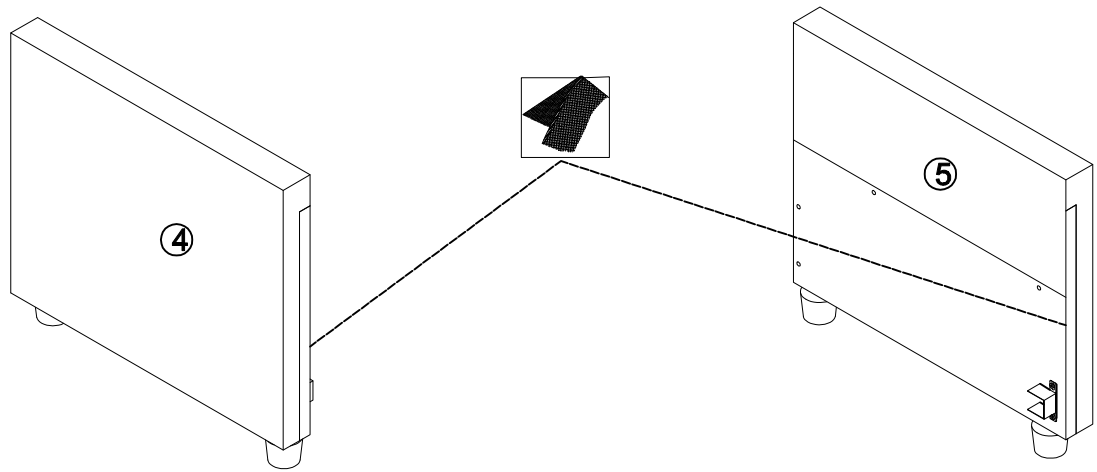
STEP 1



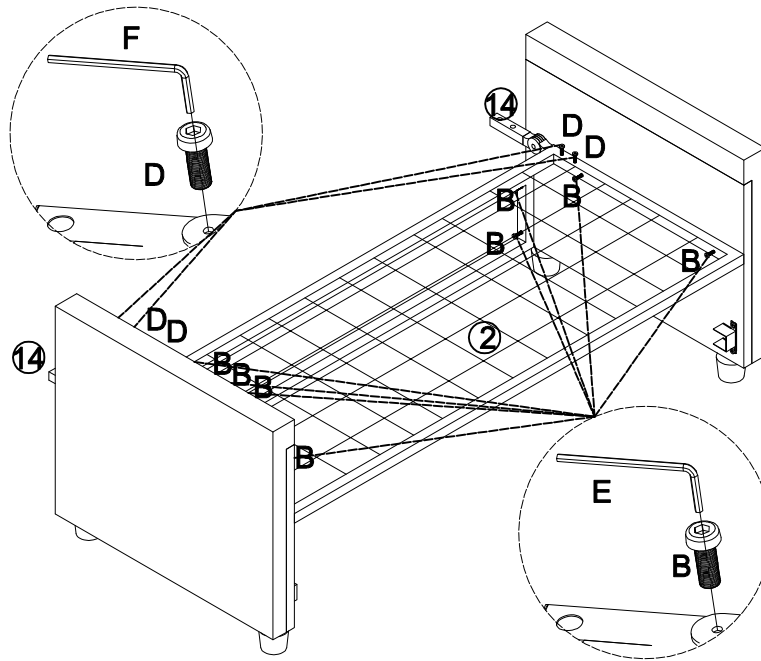
STEP 2



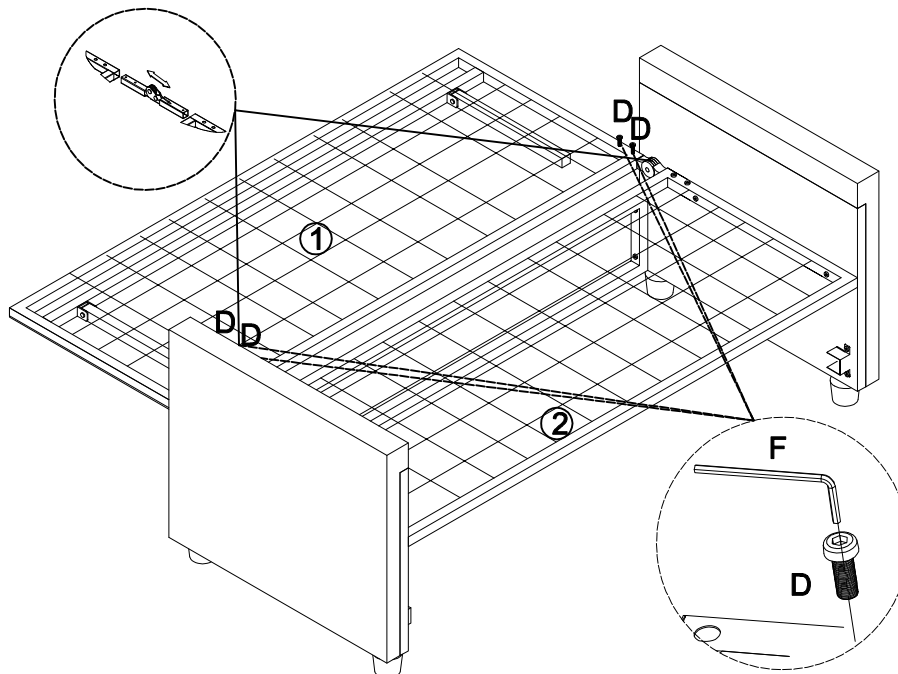
STEP 3



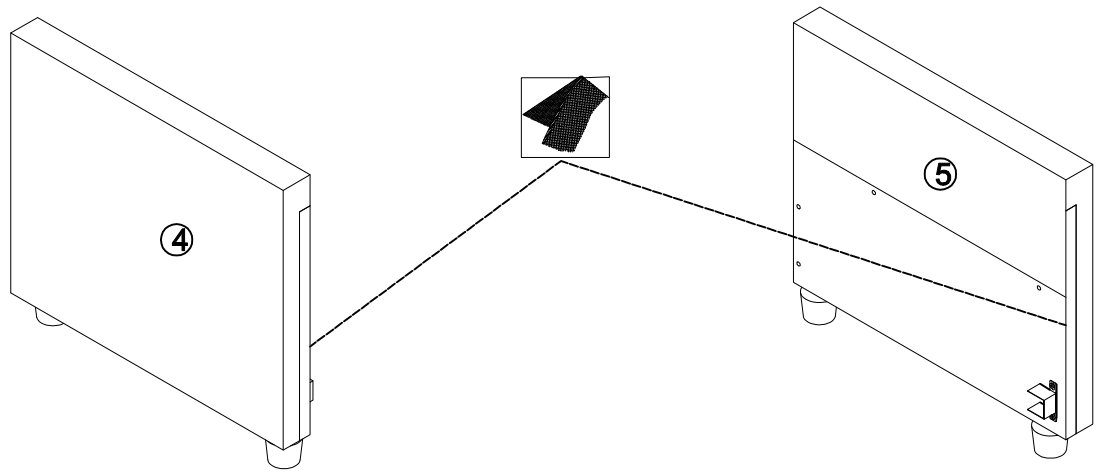
STEP 4



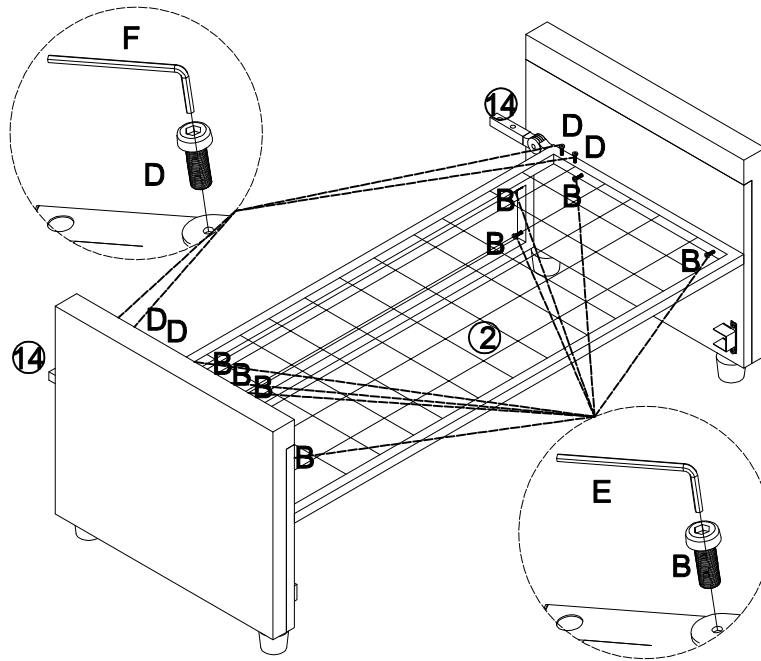
STEP 5



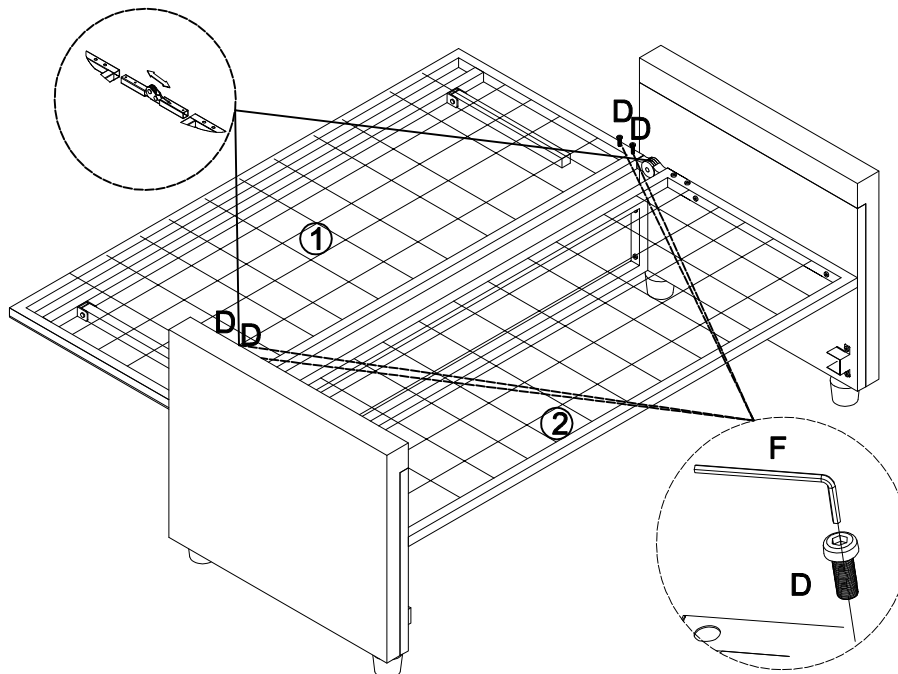
STEP 3



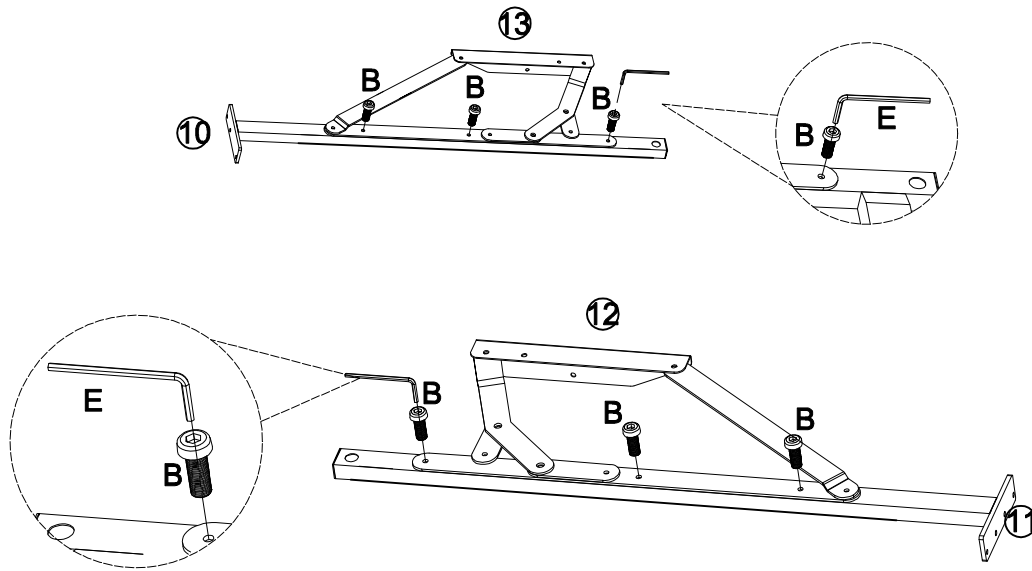
STEP 4



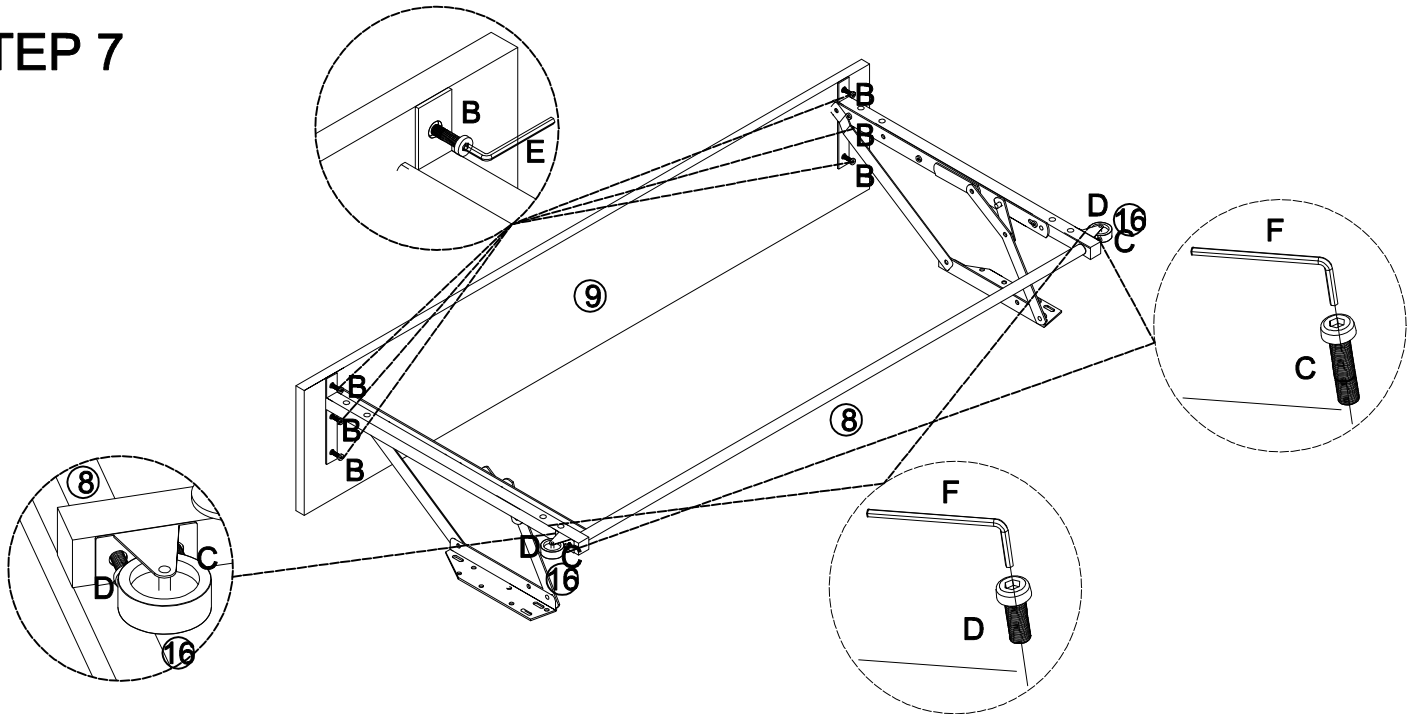
STEP 5



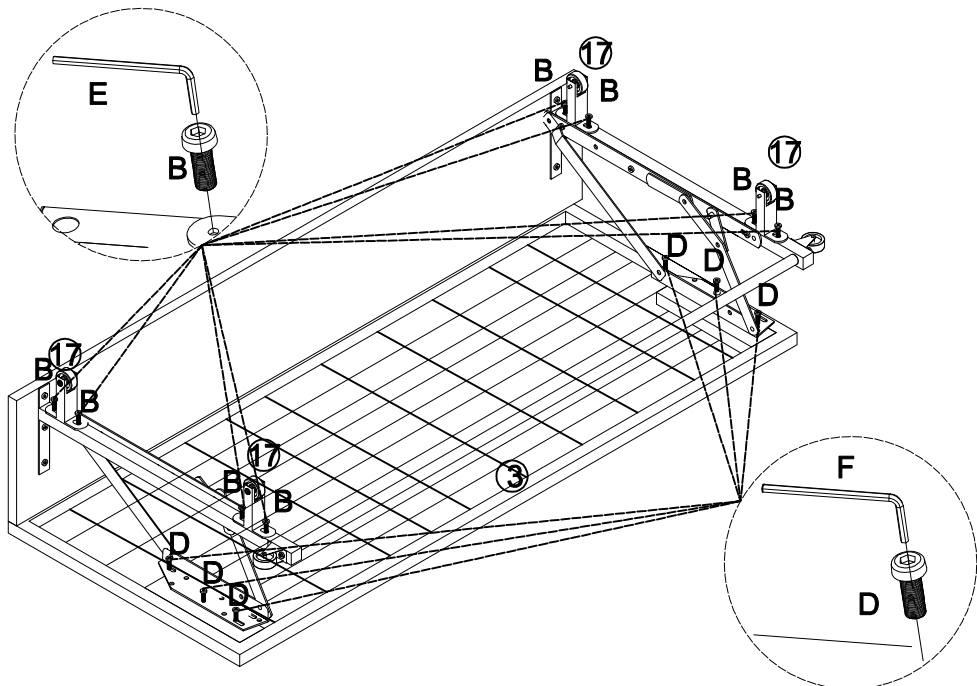
STEP 6



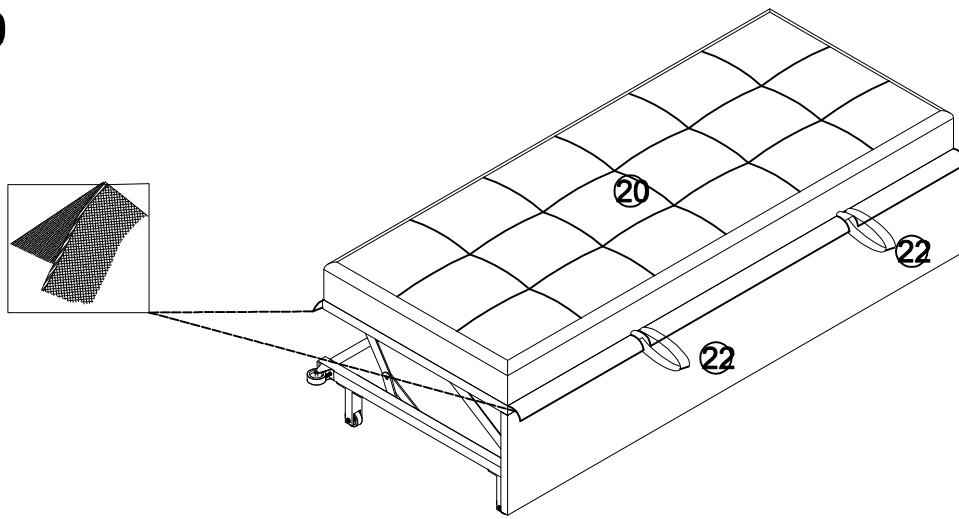
STEP 7



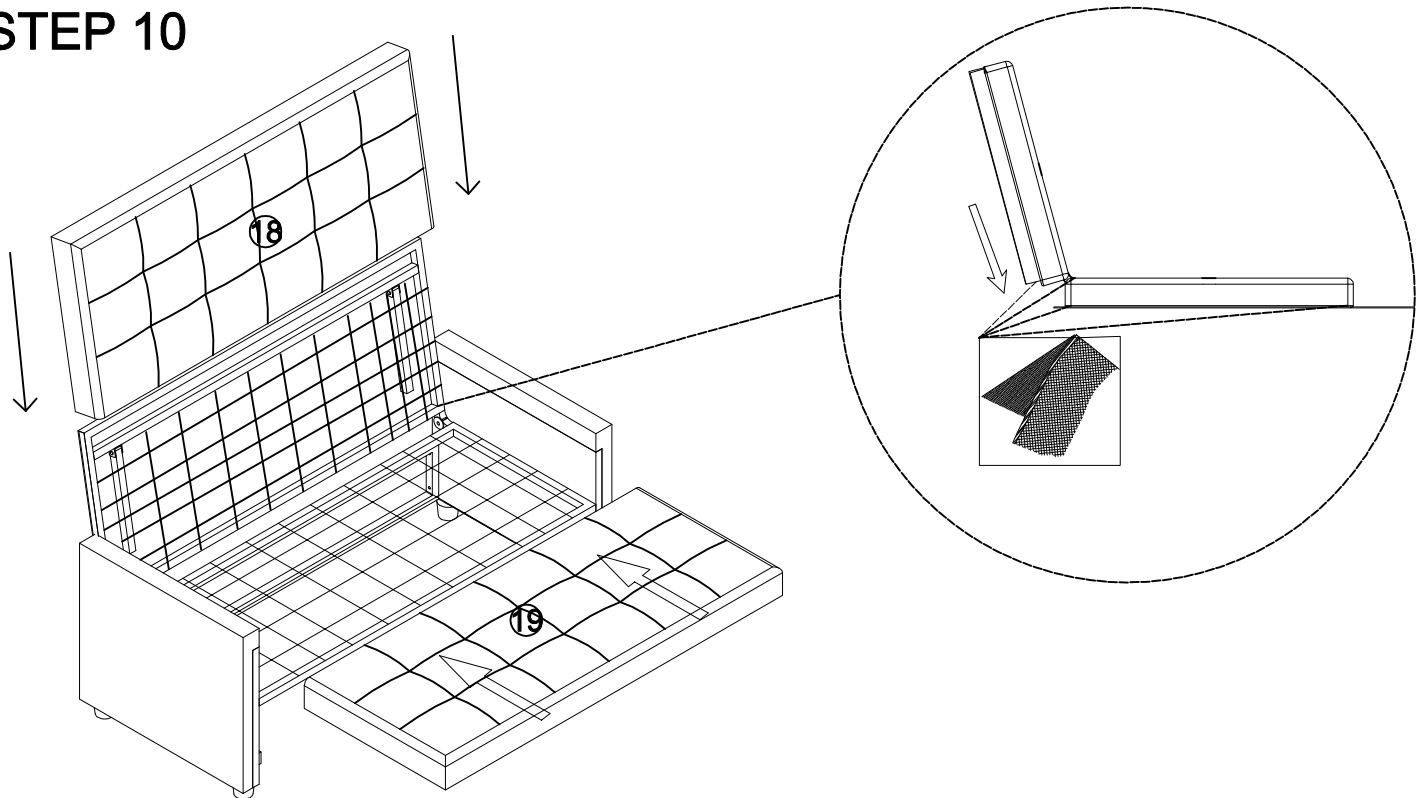
STEP 8



STEP 9



STEP 10



STEP 11

