
















# ASSEMBLY INSTRUCTIONS

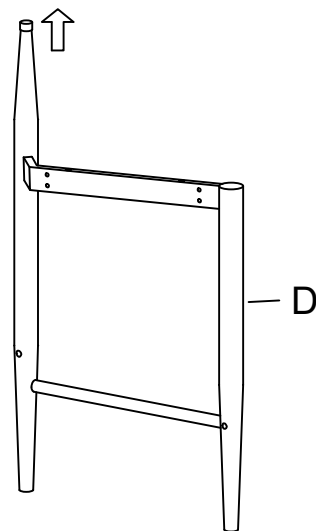
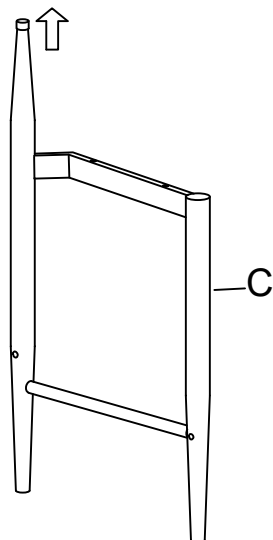
## HARDWARE LIST

NO.	Sketch	Description	Qty
1		Bolt(M5x4mm)	4 PCS
2		Bolt(1/4"x2-1/8")	8 PCS
3		Bolt(1/4"x5/8")	8 PCS
4		Spring washer(1/4")	12 PCS
5		Washer(1/4")	12 PCS
6		Allen wrench(4mm)	1 PC
7		Allen wrench(2.5mm)	1 PC

## PARTS LIST

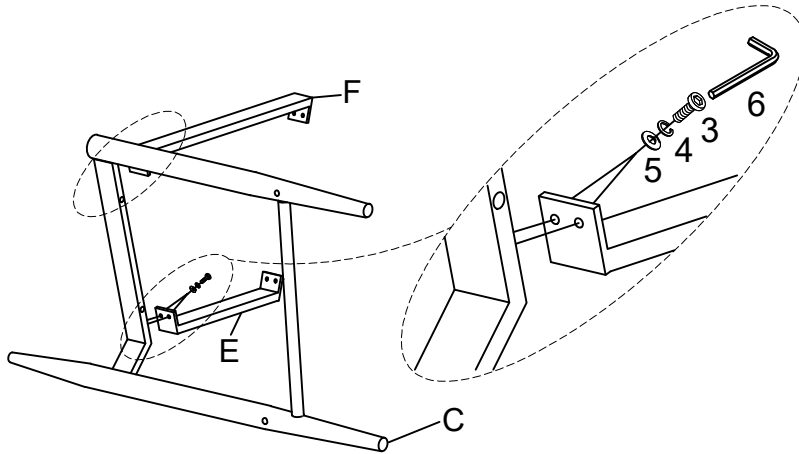
NO.	Sketch	Description	Qty
A		Seat	1 PC
B		Backrest	1 PC
C		Left metal leg frame	1 PC
D		Right metal leg frame	1 PC
E		Back upper rail	1 PC
F		Front upper rail	1 PC
G		Back Bottom Rail	1 PC
H		Footrest	1 PC

### Step 1



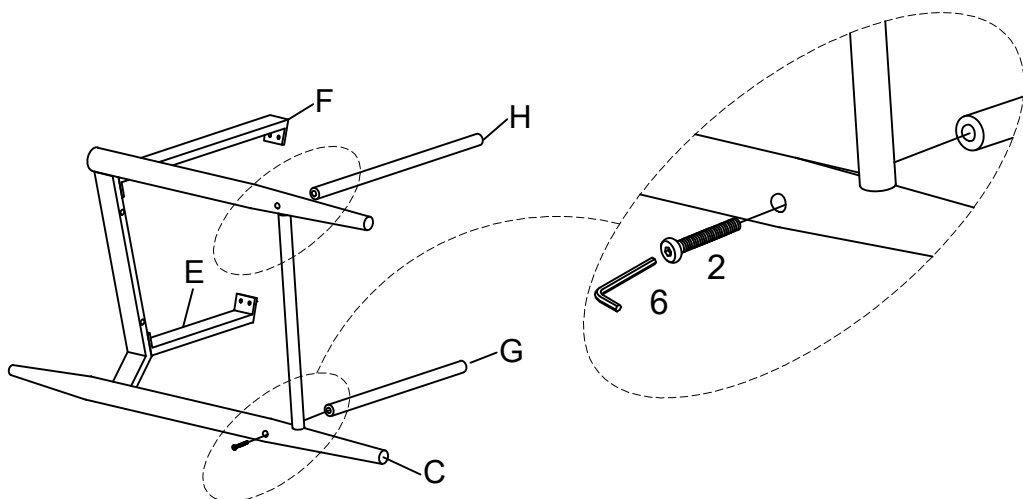
# ASSEMBLY INSTRUCTIONS

## Step 2



**Note: Do not fully tighten the bolts at this step.**

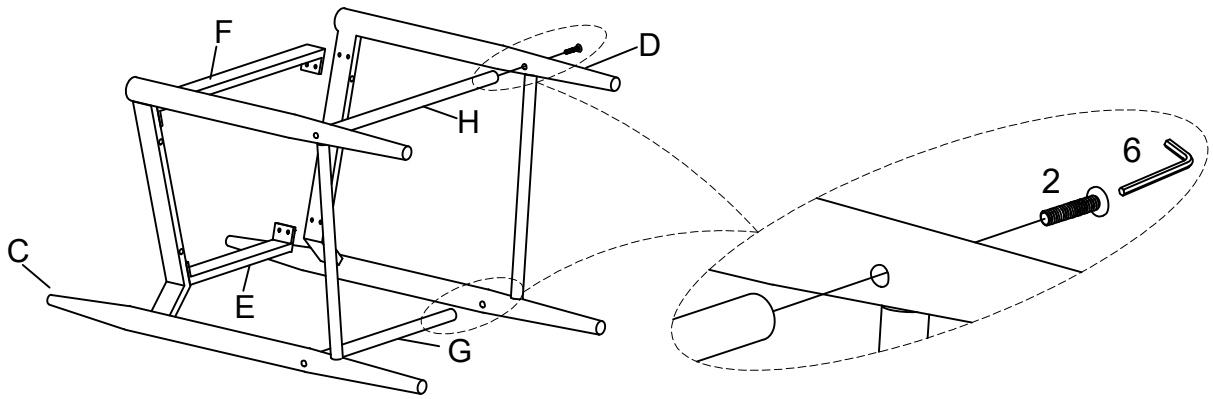
## Step 3



**Note: Do not fully tighten the bolts at this step.**

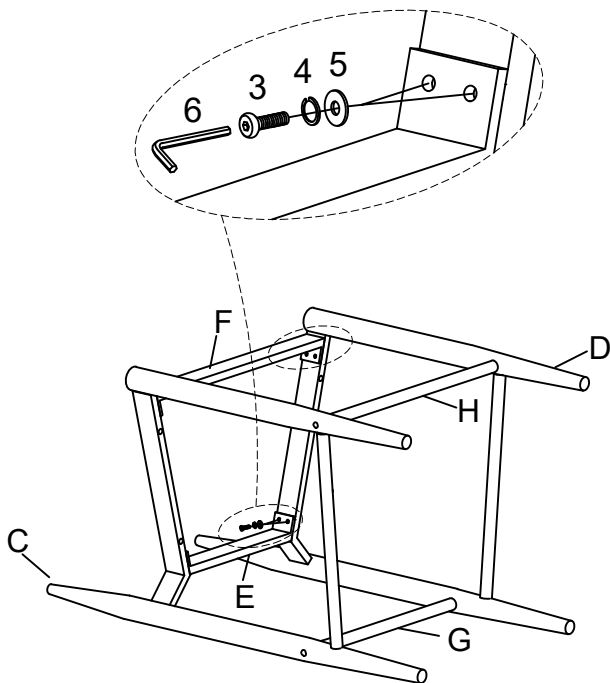
# ASSEMBLY INSTRUCTIONS

## Step 4



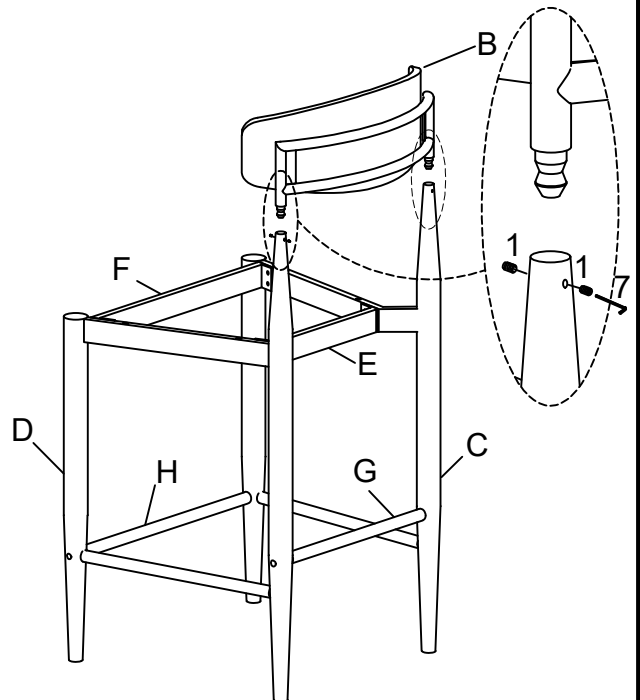
**Note: Do not fully tighten the bolts at this step.**

## Step 5



**Note: Do not fully tighten the bolts at this step.**

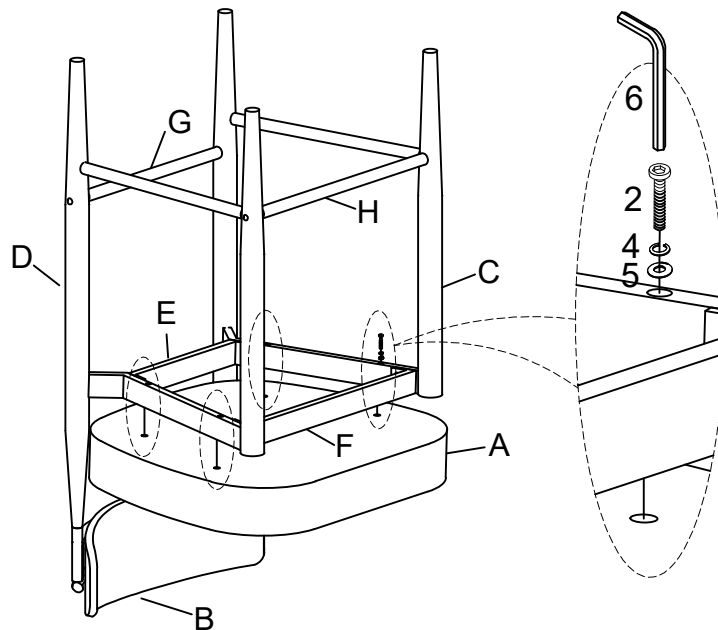
## Step 6



**Note: Do not fully tighten the bolts at this step.**

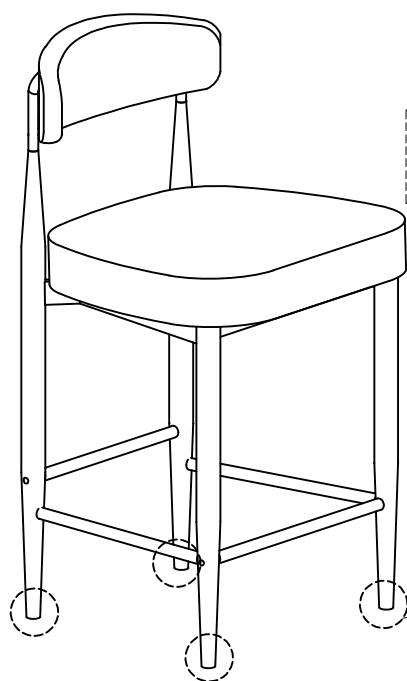
# ASSEMBLY INSTRUCTIONS

## Step 7



**Note: Once the assembly is completed, proceed to tighten all bolts sequentially.**

## Step 8



## Step 9

