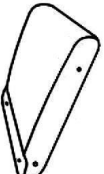

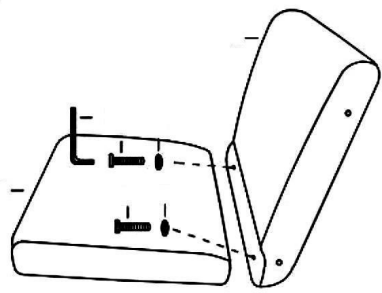
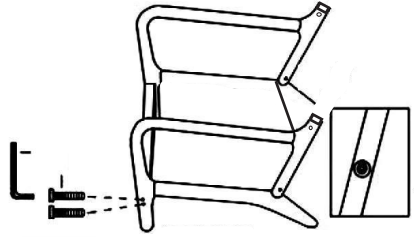


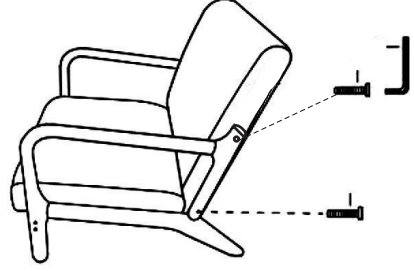
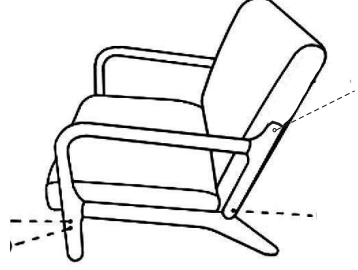


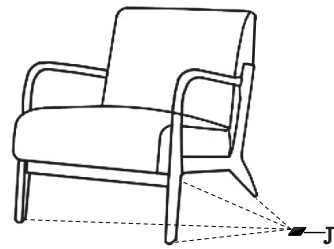
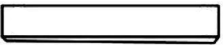




| | | | |
|---|---|--|--|
| (A) x1  | (F) x10  M6x60 | ①  | ②  |
| (B) x1  | (G) x2  | ③  | ④  |
| (C) x1Lx1R  | (H) x8  | ⑤  | Note: <p>We leave adjustable gaps during production, If there are uneven feet after assembly, please loosen all screws slightly after leveling the chair legs, then lock all the seats screws tightly.</p> |
| (D) x1  | (I) x1  | | |
| (J) x4  | | | |