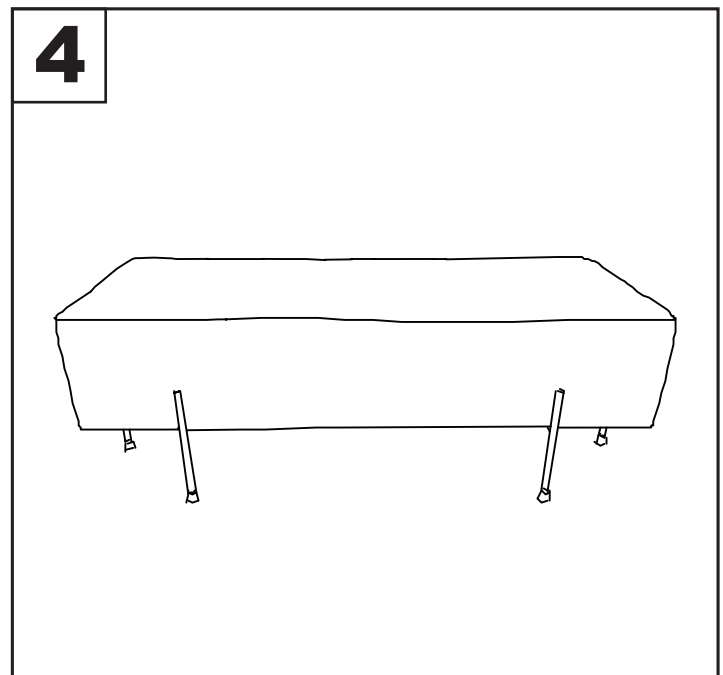
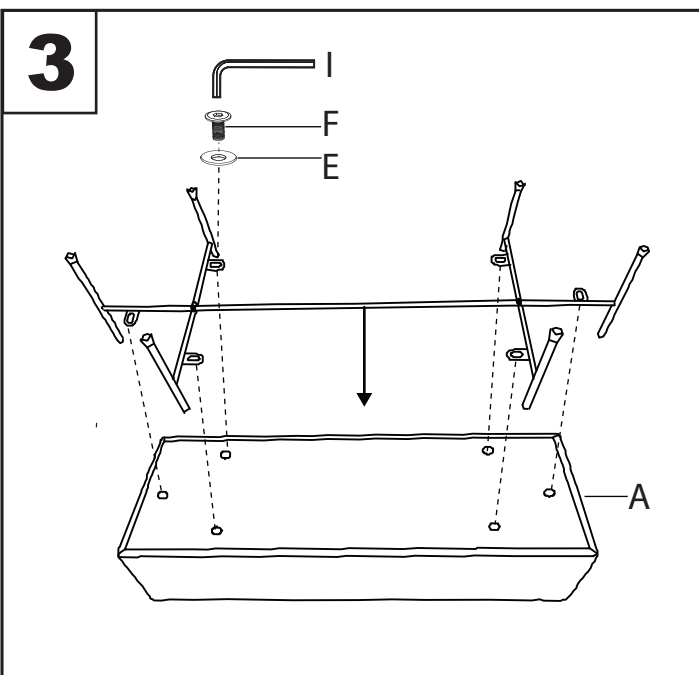
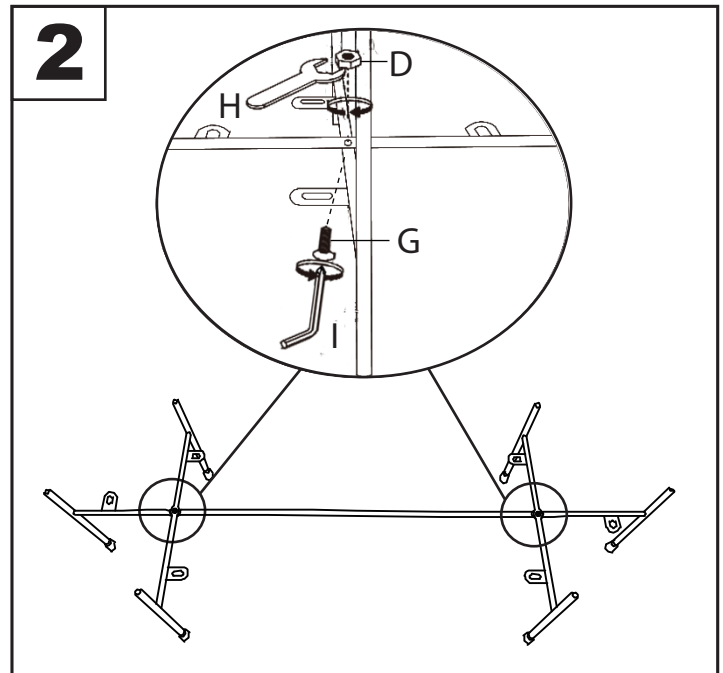
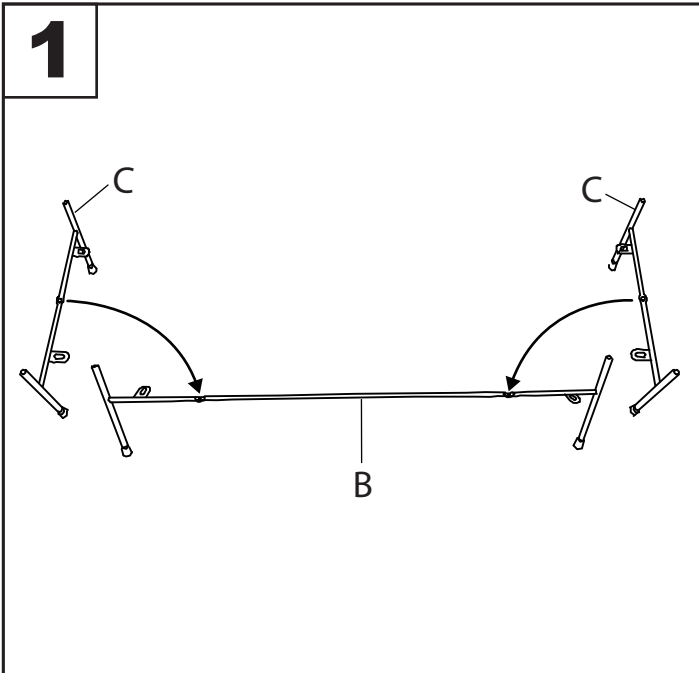
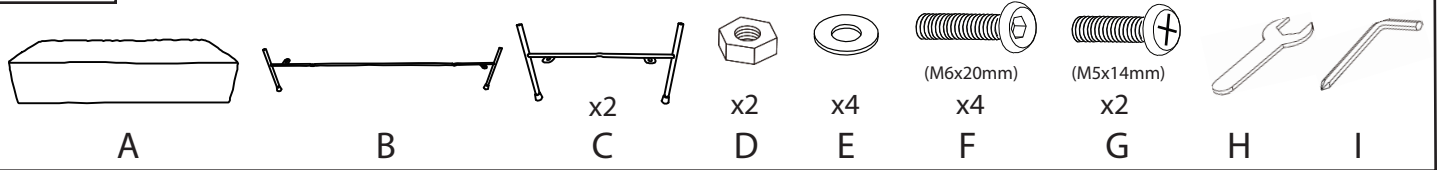


PARTS



Do not over tighten.
 Do not use power tools to assemble.