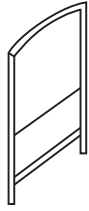
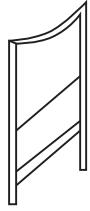


PARTS AND HARDWARE

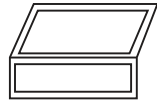
Avoid using sharp objects such as a knife to cut open packing as you may accidentally damage the upholstery.



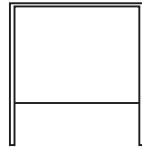
A. Right Arm
6x



B. Left Arm
6x



C. Seat
6x



D. Backrest
6x



E. Cushion
6x



F. Bolt
72x



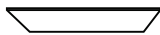
G. Washer
72x



H. Table Feet
4x



I. Table Frame
1x



J. Table Glass
2x



K. Plastic Cover
4x



L. Screw Nuts
4x



M. Table Washer
4x



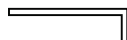
N. Table Feet Bolt
4x



O. Table Bolt
16x



P. Table Frame Washer
16x

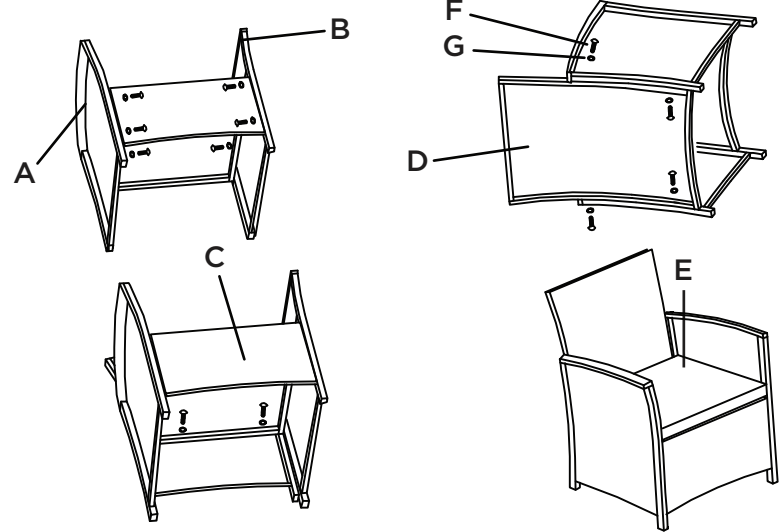


Q. Allen Key
1x

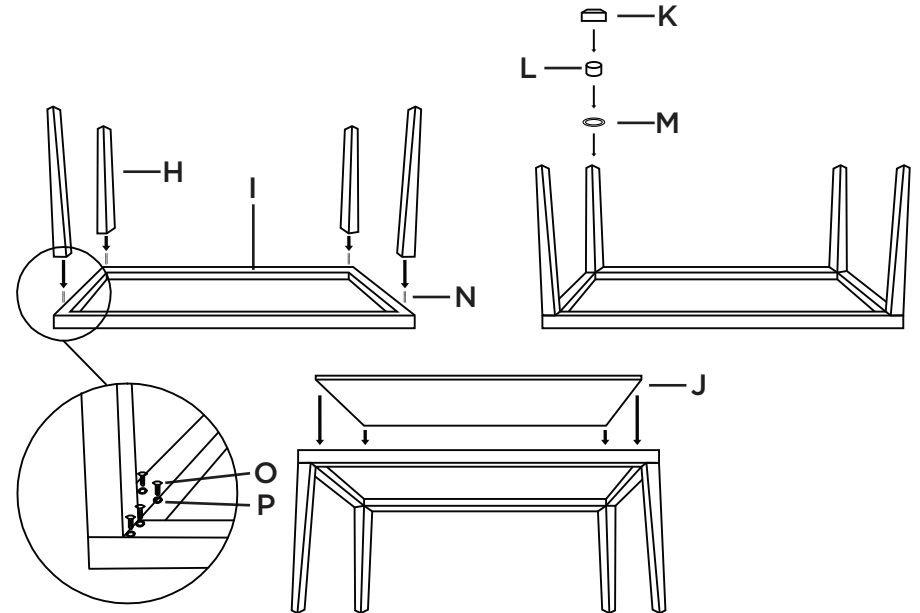
ASSEMBLY INSTRUCTIONS

Do not fully tighten bolts until assembly is complete.

- 1 Assemble the Chair Arms (A) and (B) to the chair Seat (C) and Chair Back (D) using bolts (F) and Washers (G)



- 2 Assemble the table legs to the table top using bolts (N) and washer (M) and Nuts (L and plastic Caps (K). After table frame is assembled carefully place table glass into place.

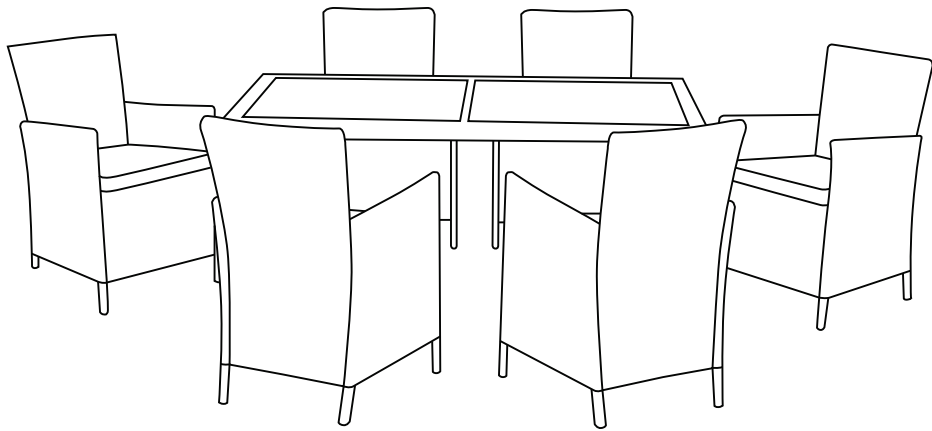


3 Place seat cushions on chair frames and enjoy your new outdoor dining set.

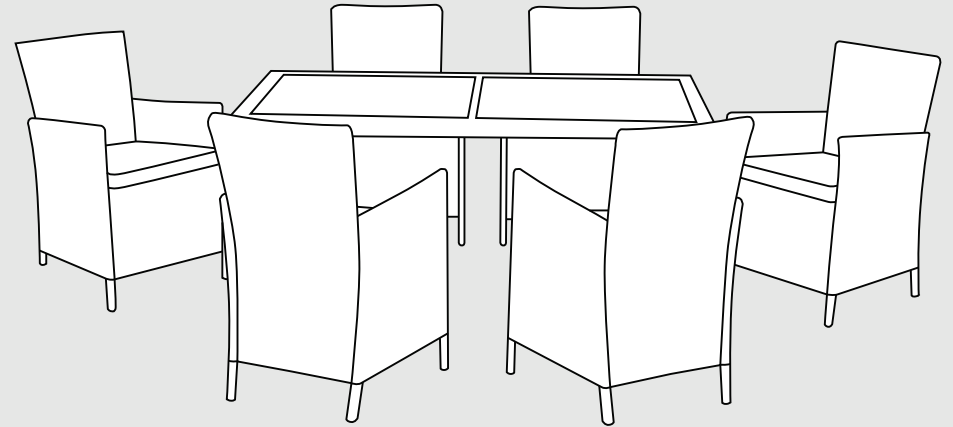
Model: _____

Lot No: _____

Date of Purchase: _____



7 PC SET



WARNING: This product may contain small components, please ensure they are kept away from small children.