

# High Back Executive Sport Race Office Chair with Flip-Up Arms



Thank you for purchasing our product!

## ASSEMBLY INSTRUCTIONS

Do a quick inventory of all the parts and hardware listed below.



**For Support, assembly questions & Replacement Parts within the 48 Contiguous United States:**




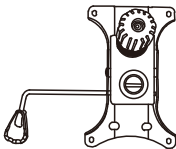

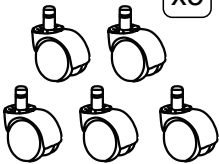
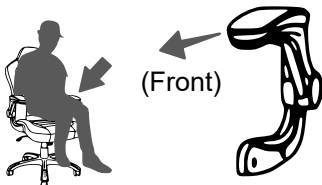
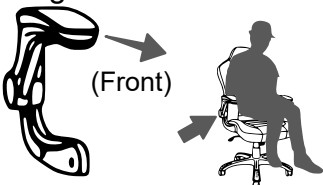
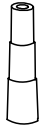
Please email us.






Replacement Parts for International Customers & **AK-HI-PR** orders:

We will replace the part free of charge, while **the customer is responsible for shipping costs plus any International local taxes or duties.**


### MAIN PARTS LIST

<b>A</b> Backrest 	<b>B</b> Seat 	<b>C</b> 5-Leg star base 	<b>D</b> Mechanism 	<b>E</b> Lift cylinder 
<b>F</b> Casters <span>x5</span> 	<b>G-L</b> Left armrest 	<b>G-R</b> Right armrest 	<b>H</b> Covers for lift cylinder <span>x1 Set</span> 	

### HARDWARE LIST

Part #	QTY	SIZE/Description	Item
I	4	M6x20	 mm 10 20 30 40 50 60
J	8	M6x25	 mm 10 20 30 40 50 60
K	8	Armrest covers	

### INCLUDED TOOLS

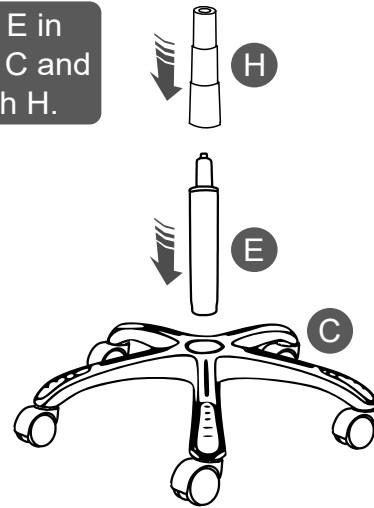
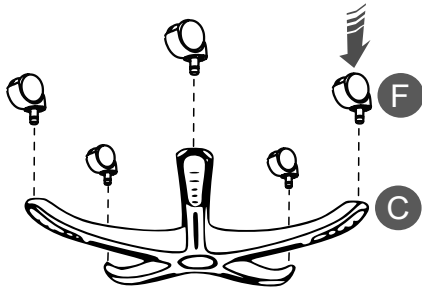
Allen Wrench	
--------------	---

**ASSEMBLY STEPS**

**STEP 1**

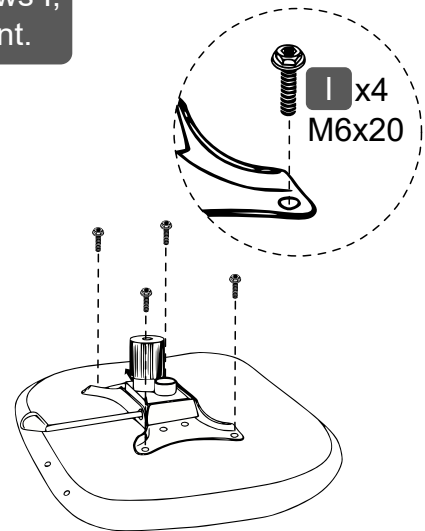
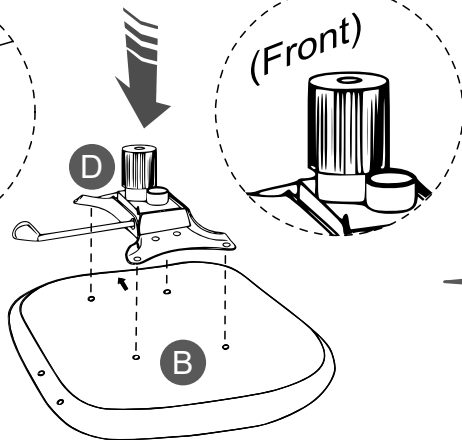
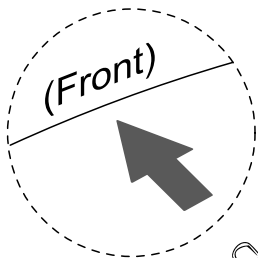
FIRST: Attach F to C using pressure.

THEN: Insert E in the middle of C and covered it with H.



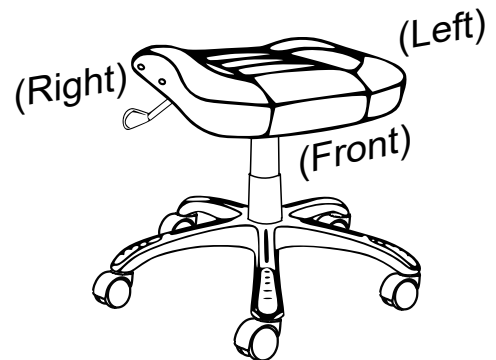
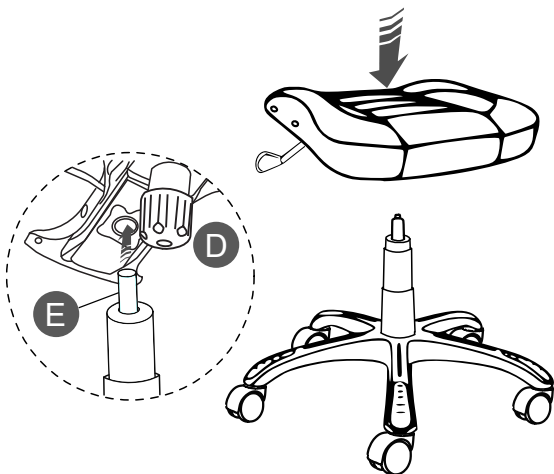
**STEP 2**

Assemble the mechanism D to the seat B with screws I, making sure the tension knob faces towards the front.



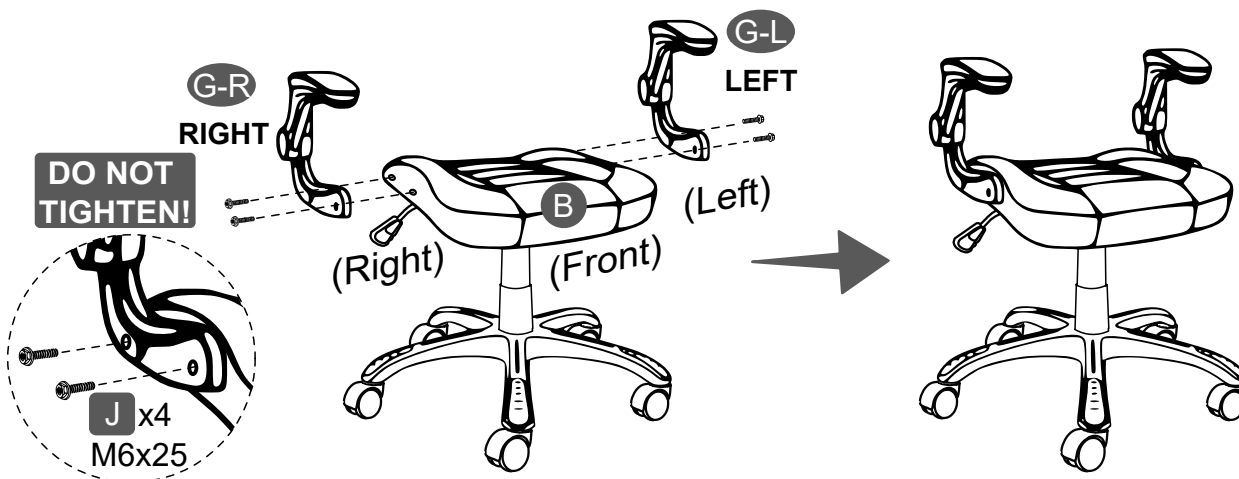
**STEP 3**

Put the seat over the base making sure the tip of the gas lift E enters into the big hole of the mechanism D.

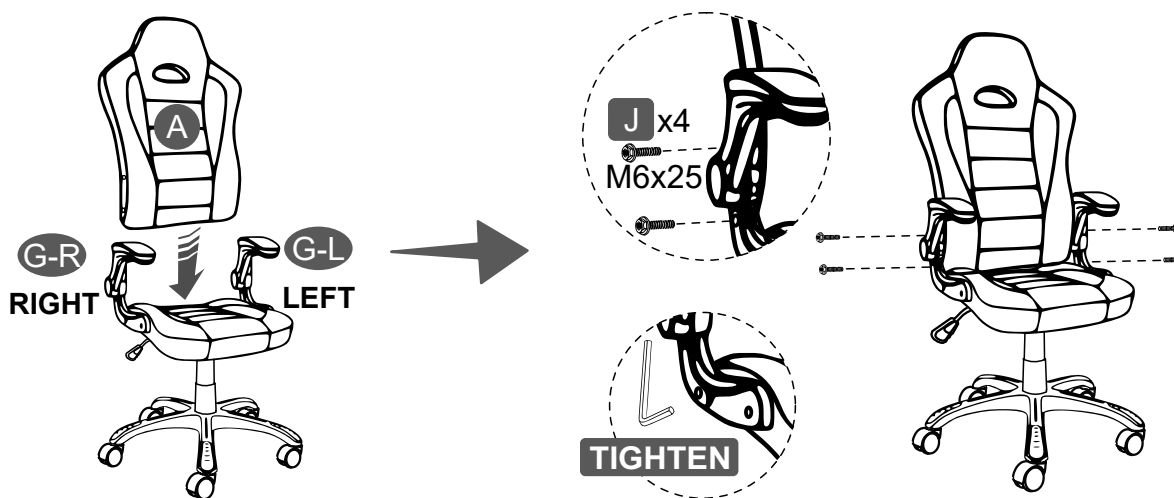


## ASSEMBLY STEPS

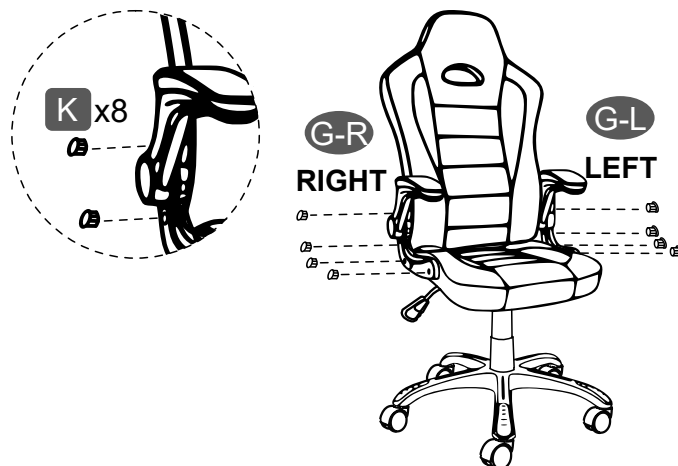
**STEP 4** Assemble the armrests G-L, G-R to the seat B on their respective sides with screws J, **BUT DO NOT TIGHTEN TO ALLOW FLEXIBILITY** for the next step.



**STEP 5** Assemble the backrest A to the armrests G-L, G-R with screws J, and proceed to tighten the screws on the bottom of the armrests.



**STEP 6** Cover the holes on the armrests with K.



### CHAIR'S FUNCTIONS

**HEIGHT**  
Pull Handle UP.

**FLIP**  
Flip arms UP or DOWN.

**TILTING**  
Pull Handle OUT to UNLOCK; Push Handle IN to LOCK.

**TENSION**  
Turn CLOCKWISE for less tension (-); COUNTERCLOCKWISE for more tension (+).  
With less tension, the tilting feels easier.

### WARNINGS - Not paying attention to the following warnings could result in injuries.

<p>Do not use the chair if the frame parts are damaged, or if any of the screws are loose or missing.</p>	<p>Only one person at a time and refrain from sitting on the edge of the seat to prevent the chair from tipping over.</p>	<p>Do not stand or use the chair as ladder.</p>
<p><b>WEIGHT LIMIT DO NOT EXCEED</b></p> <p><b>220 Lbs (100 Kg)</b></p>	<p>Do not leave babies or toddlers unattended while seated on the chair, always ensure adult supervision. Keep children from playing with the chair for their safety.</p>	

### CARE AND MAINTENANCE

<p>Clean with a soft cloth lightly damped in a solution of smooth soap and water.</p>	<p>Do not use solvents or abrasive materials.</p>	<p>Do not expose to direct sunlight or to extreme environmental conditions.</p>	<p>Inspect the chair thoroughly every 4 months and re-tighten the screws.</p>
---	---	---	---

### WARRANTY



2 YEAR LIMITED WARRANTY