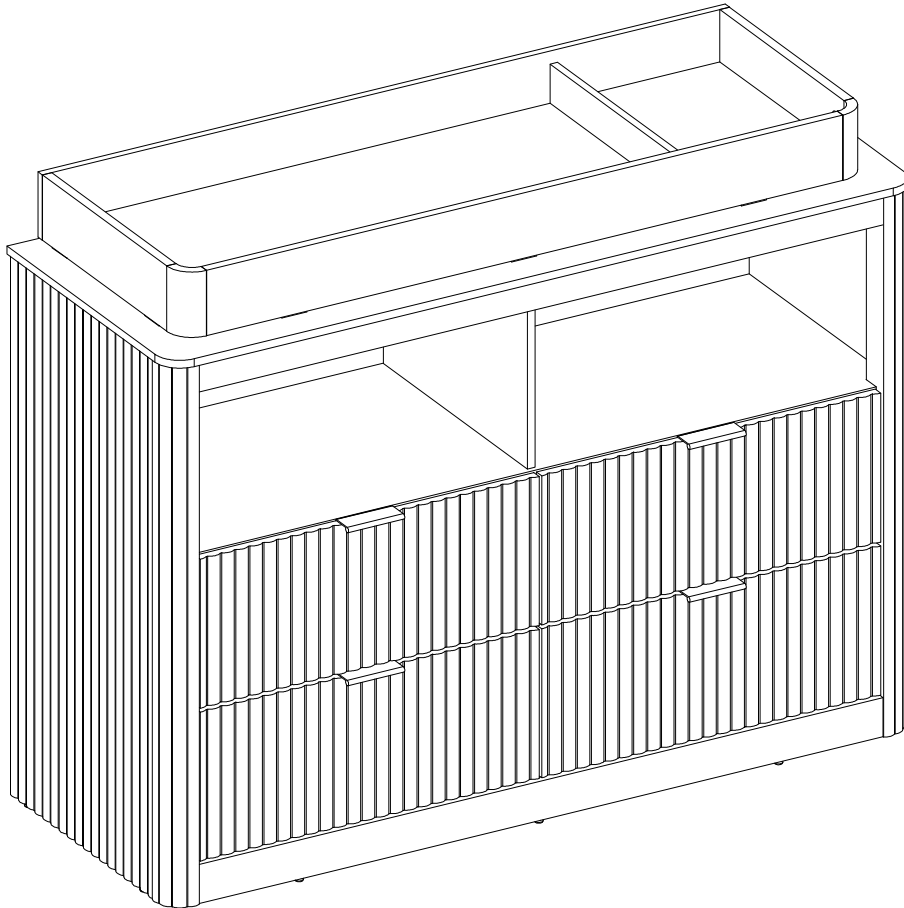


# ASSEMBLY INSTRUCTIONS

---

## DJ1241



### **⚠ SAFETY TIPS:**

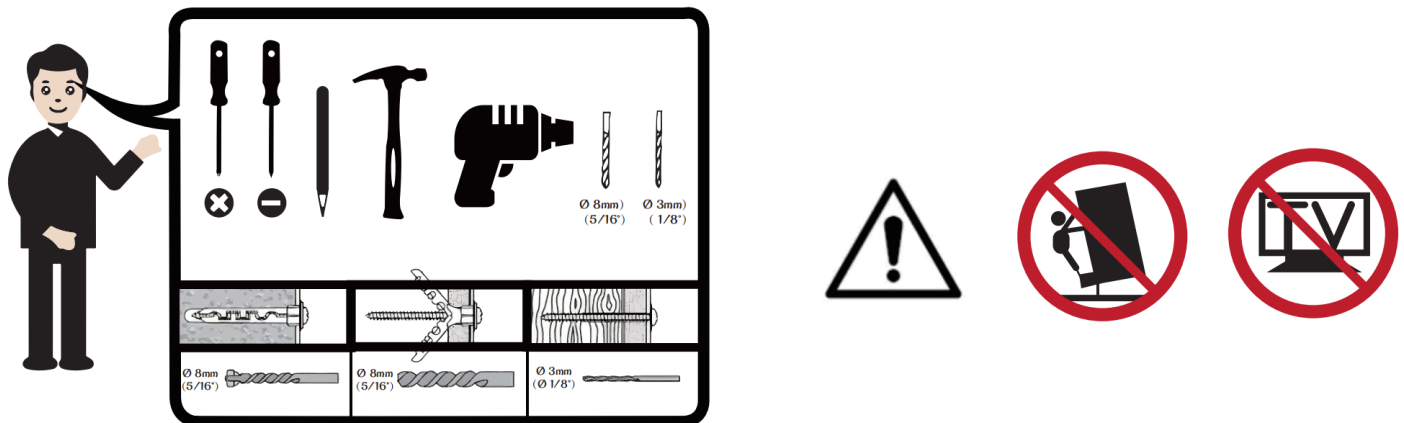
Static charge may cause dust on foam-clean with a dry or damp cloth. Small foam strands may be present-handle gently and dispose of properly. Do not burn or incinerate. Check local recycling guideline.

Have an assembly question or need a replacement part?  
Please contact with our customer service.

# Warnings

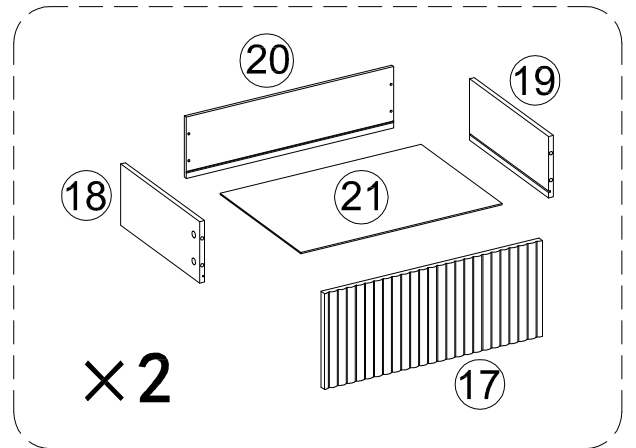
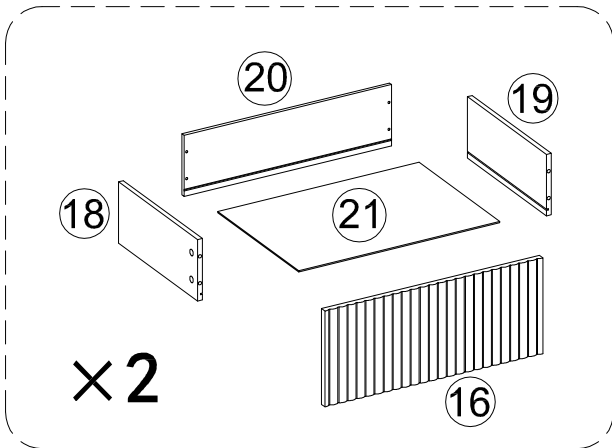
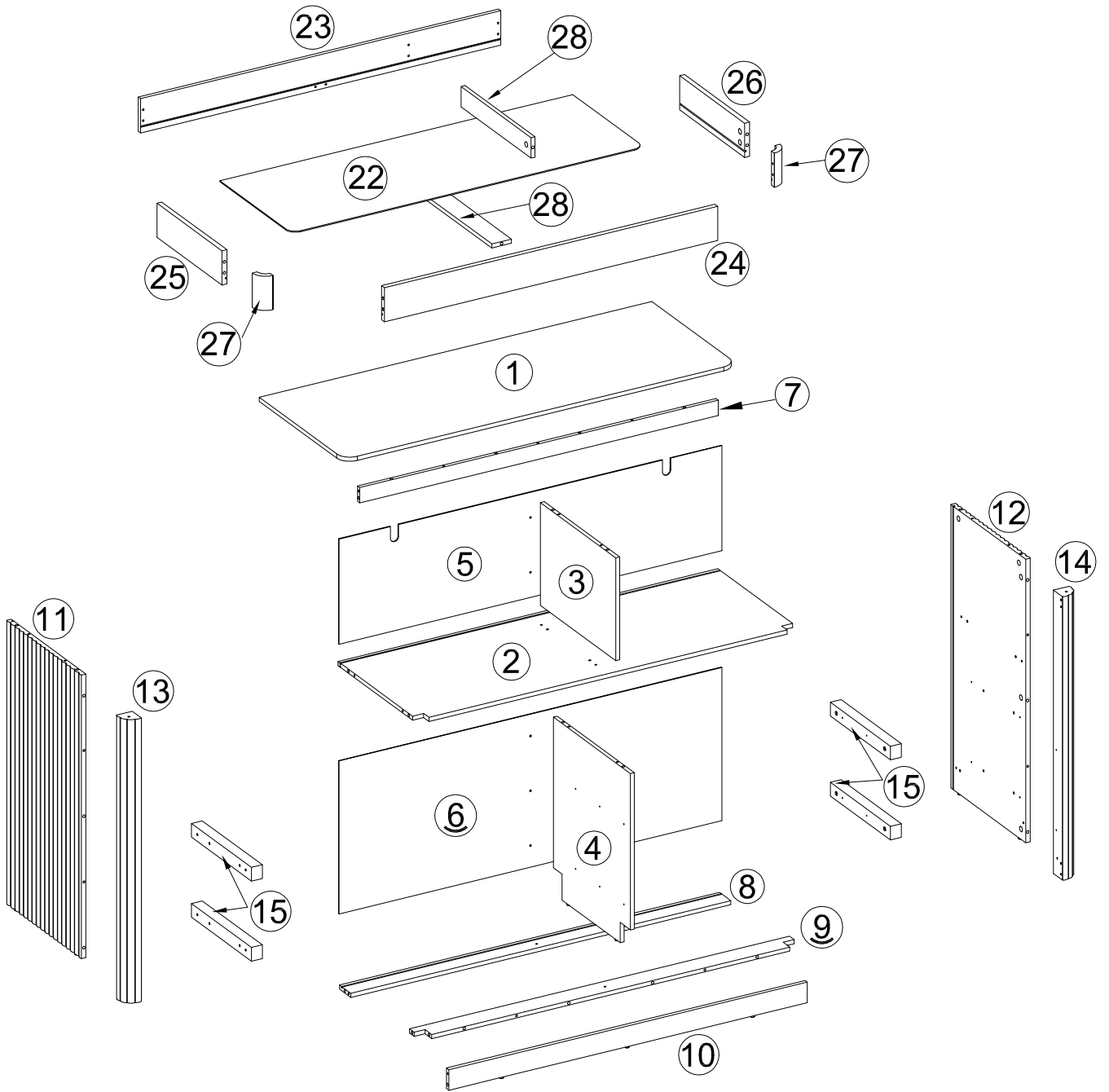
Important reminder:

- ⚠ Please sort and check all accessories before assembly.
  - ⚠ Place the product on an empty cardboard box or on carpet to prevent scratches.
  - ⚠ Please use proper tools for assembly. Using an electric screwdriver can accelerate the assembly speed, but please do not overtighten the screws.
  - ⚠ Please follow the assembly steps and do not skip any of them.
  - ⚠ If possible, please find a partner to help you with assembly, which can accelerate assembly.
  - ⚠ Keep all small parts of this product away from children. They may cause serious injury.
  - ⚠ We hope you can retighten the screws 2 weeks after assembly, and check the tightening procedure of the screws every 3 months.
- If you meet any difficulty, our friendly customer team are always ready to help you.

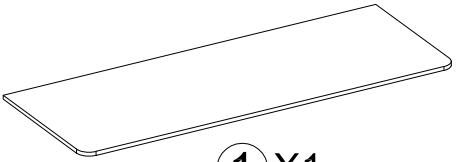
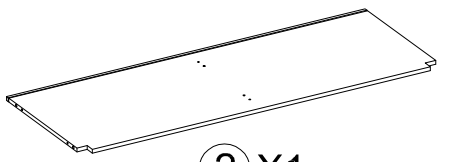
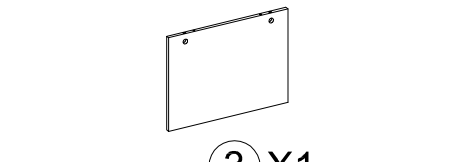
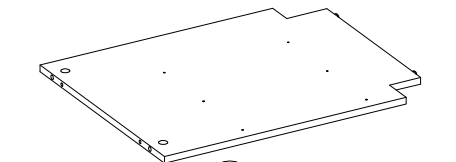
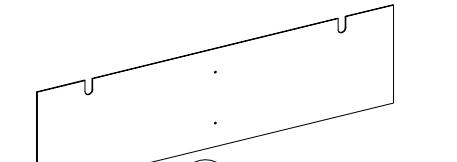
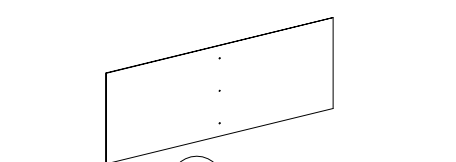
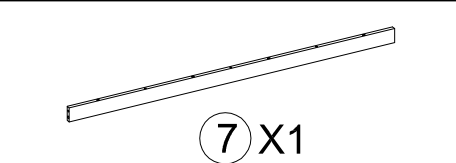
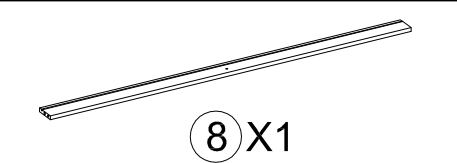
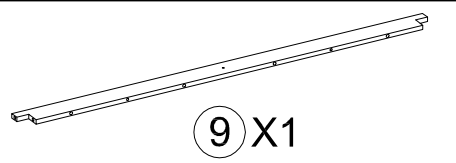
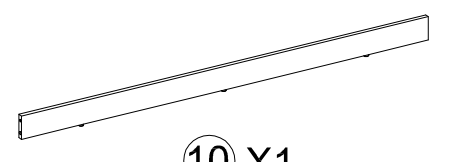
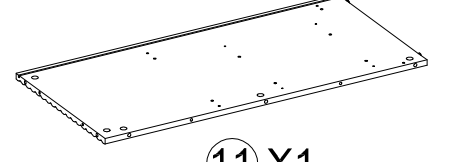
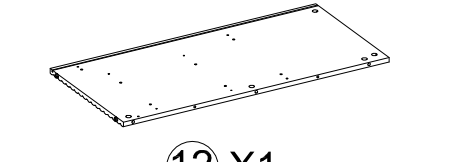
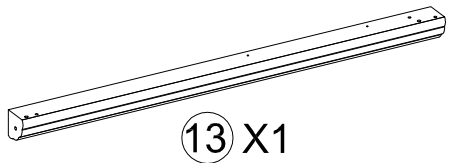
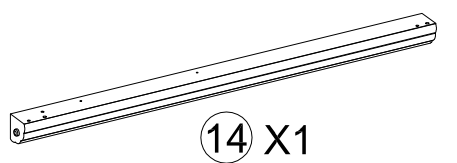
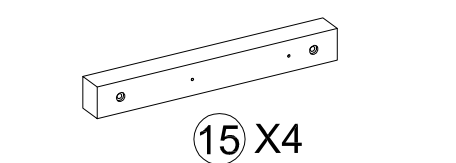
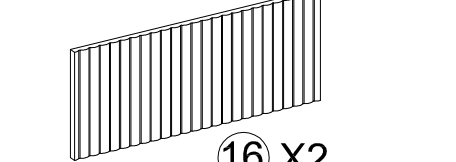
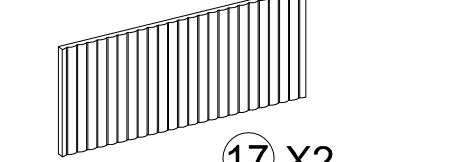
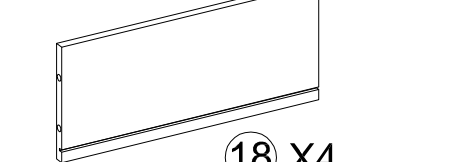
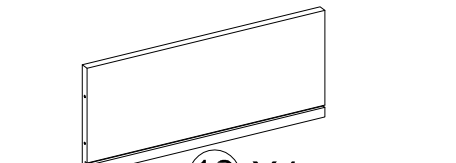
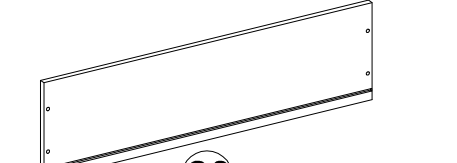
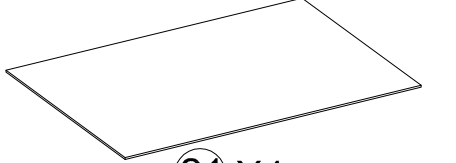
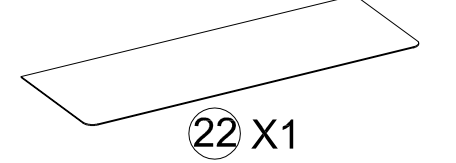
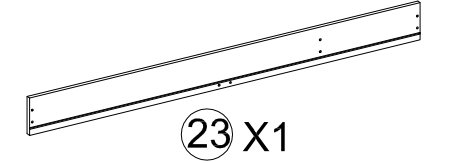
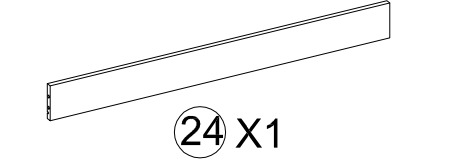
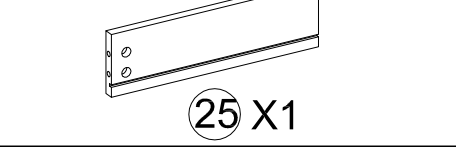
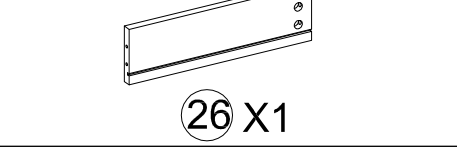
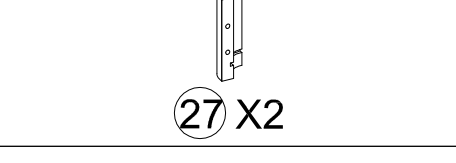



Warning: Overturning the product can cause serious crushing injuries. We have a wall connection device attached, please use it to hold the furniture following assembly instructions. Do not change the structure of this product in any way. Our products have been tested and meet any 1 sales specific security measures. We won't be responsible for any modifications, which may cause significant security risks.

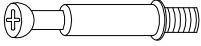

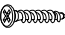


# Explosion Diagram



# Parts List

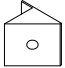
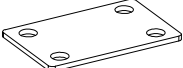



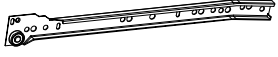
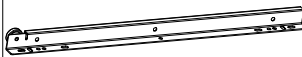
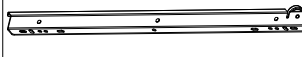
 <p>① X1</p>	 <p>② X1</p>	 <p>③ X1</p>
 <p>④ X1</p>	 <p>⑤ X1</p>	 <p>⑥ X1</p>
 <p>⑦ X1</p>	 <p>⑧ X1</p>	 <p>⑨ X1</p>
 <p>⑩ X1</p>	 <p>⑪ X1</p>	 <p>⑫ X1</p>
 <p>⑬ X1</p>	 <p>⑭ X1</p>	 <p>⑮ X4</p>
 <p>⑯ X2</p>	 <p>⑰ X2</p>	 <p>⑱ X4</p>
 <p>⑲ X4</p>	 <p>⑳ X4</p>	 <p>㉑ X4</p>
 <p>㉒ X1</p>	 <p>㉓ X1</p>	 <p>㉔ X1</p>
 <p>㉕ X1</p>	 <p>㉖ X1</p>	 <p>㉗ X2</p>
 <p>㉘ X2</p>		

## Hardware List

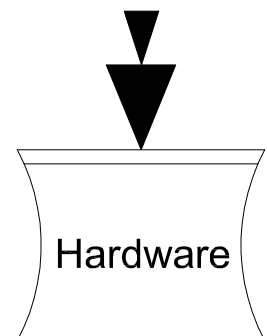
No.	Code	Diagram	Description	Quantity	Spare
1	<b>A1</b>			62	2
2	<b>A2</b>		Ø15 x 9 mm	62	2
3	<b>B1</b>		M5 x 50 mm	12	2
4	<b>B2</b>		Ø4 x 38 mm	16	2
5	<b>B3</b>		M5 x 40 mm	8	2
6	<b>B4</b>		Ø3 x 15 mm	20	2
7	<b>B5</b>		Ø4 x 12 mm	13	2
8	<b>B6</b>		Ø3.5 x 12 mm	56	2
9	<b>B7</b>		Ø4 x 12 mm	2	
10	<b>B8</b>		Ø4 x 35 mm	2	
11	<b>C1</b>		Ø30 mm	62	2
12	<b>C2</b>		Ø6 x 30 mm	39	2
13	<b>C3</b>			4	
14	<b>C4</b>			2	
15	<b>C5</b>			2	

THE SPARE BAG INCLUDED EXTRA HARDWARE FOR DAMAGED OR MISSING SMALL HARDWARE WHILE YOU ARE ASSEMBLING

## Hardware List


No.	Code	Diagram	Description	Quantity	Spare
16	<b>C6</b>			20	2
17	<b>C7</b>		58 x 38 x 2 mm	2	
18	<b>C8</b>		40 x 12 x 2 mm	10	2
19	<b>C9</b>		Glue	1	
20	<b>CR</b>		14" Slide (CR)	4	
21	<b>CL</b>		14" Slide (CL)	4	
22	<b>DR</b>		14" Slide (DR)	4	
23	<b>DL</b>		14" Slide (DL)	4	

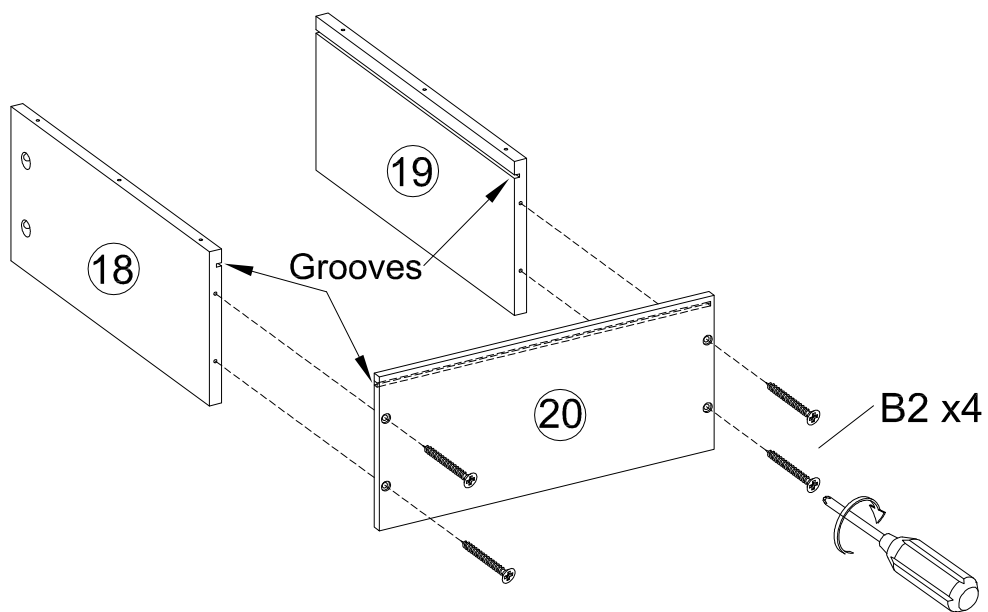
Spare parts are packed together in one package.



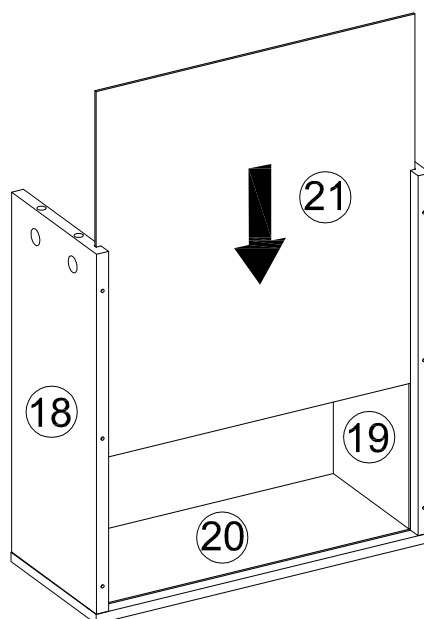
THE SPARE BAG INCLUDED EXTRA HARDWARE FOR DAMAGED OR MISSING SMALL HARDWARE WHILE YOU ARE ASSEMBLING

Step 1

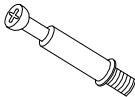
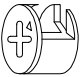
	
B2	16PCS

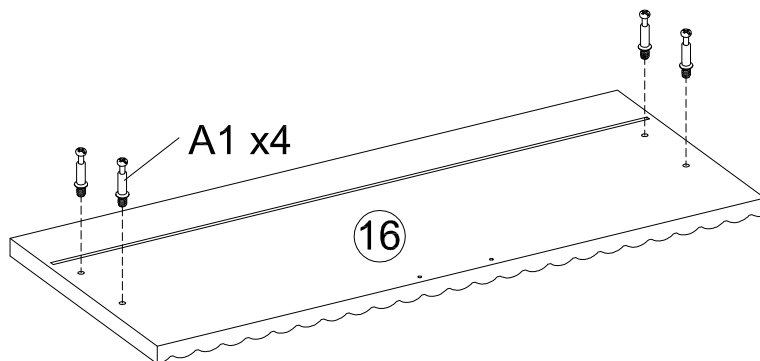


x4

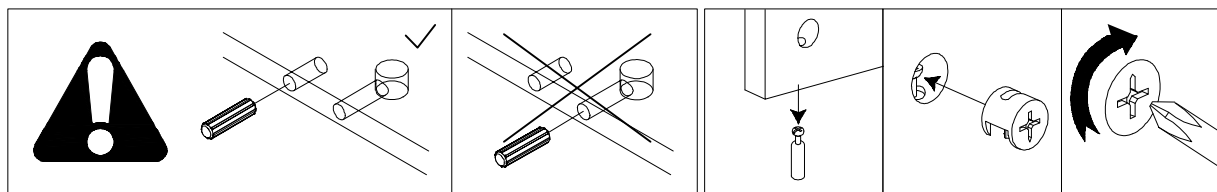
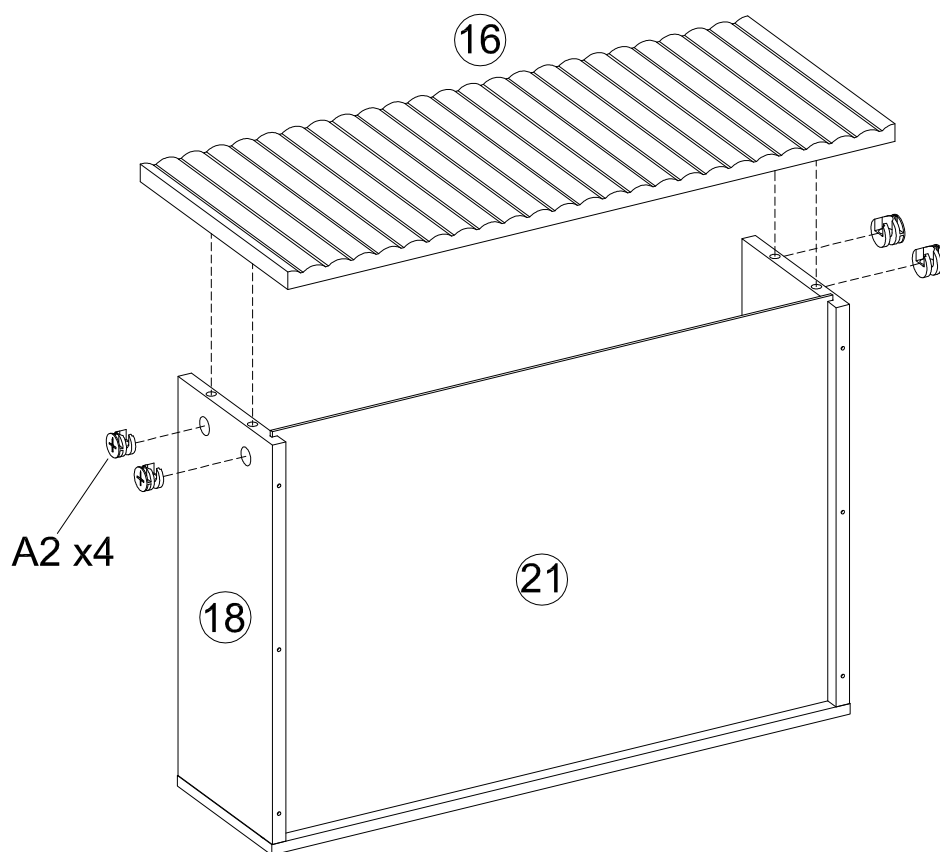


Step 2


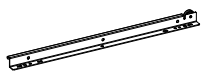
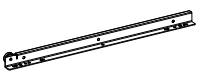
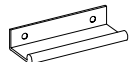
	
A1 8PCS	A2 8PCS

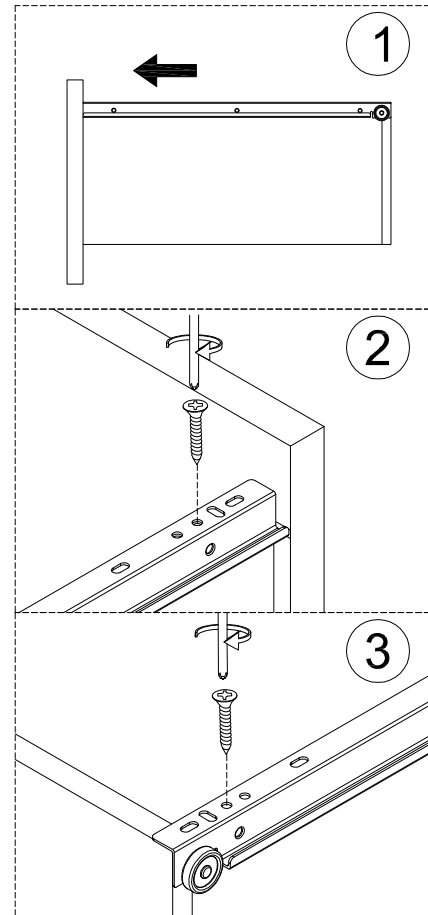
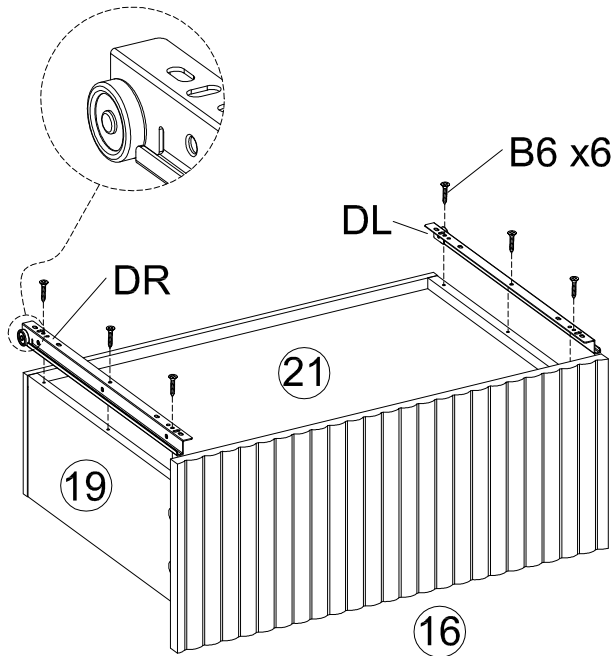


x2



Step 3

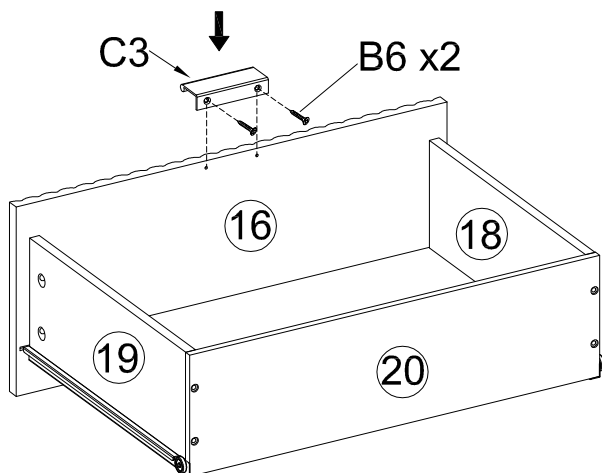
			
B6 16PCS	DL 2PCS	DR 2PCS	C3 2PCS



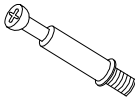
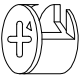
Note the DL or DR stamped label on the track!

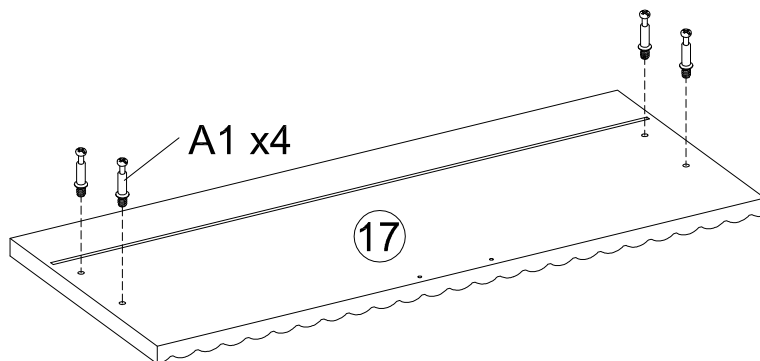


x2

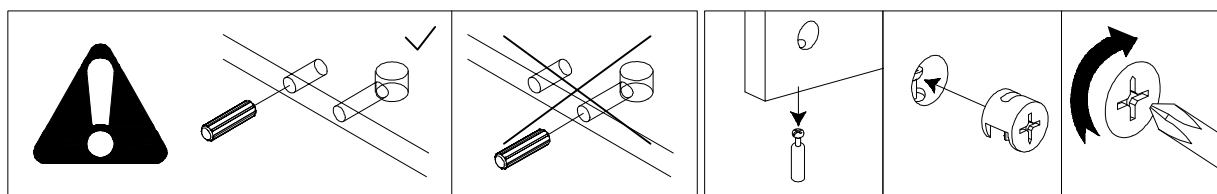
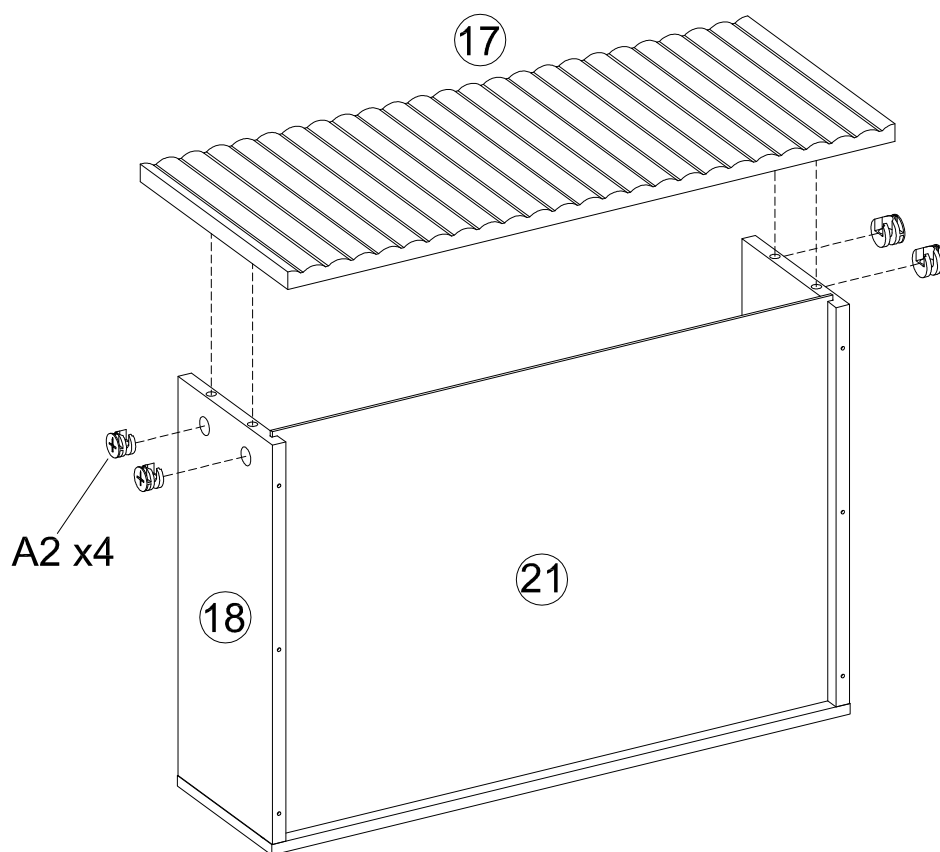


Step 4


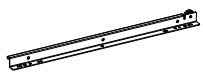
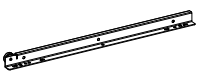
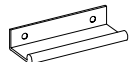
	
A1 8PCS	A2 8PCS

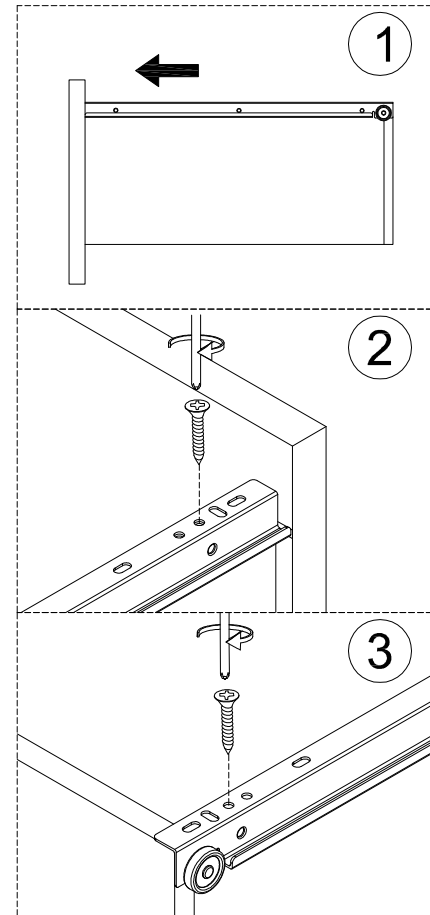
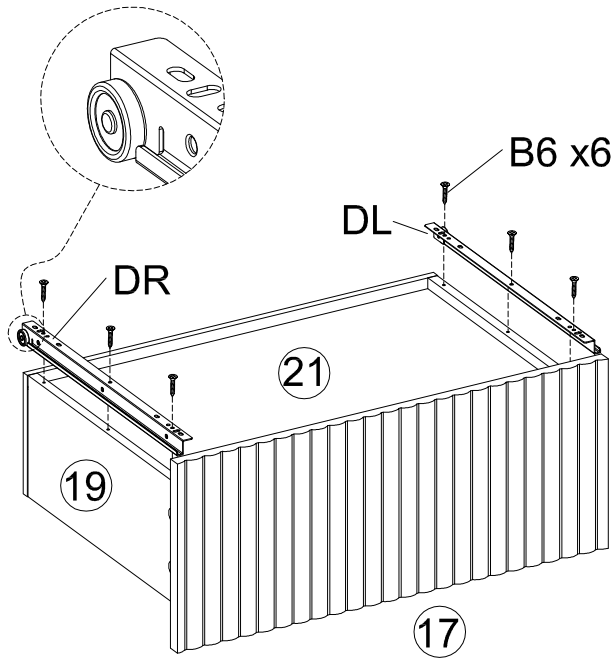


x2



Step 5

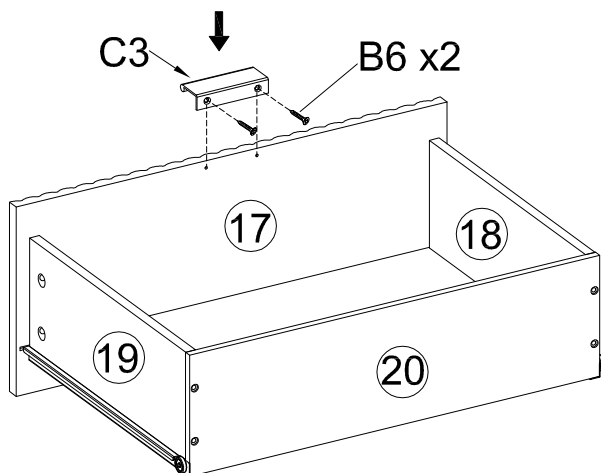
			
B6 16PCS	DL 2PCS	DR 2PCS	C3 2PCS



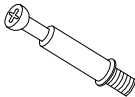


Note the DL or DR stamped label on the track!

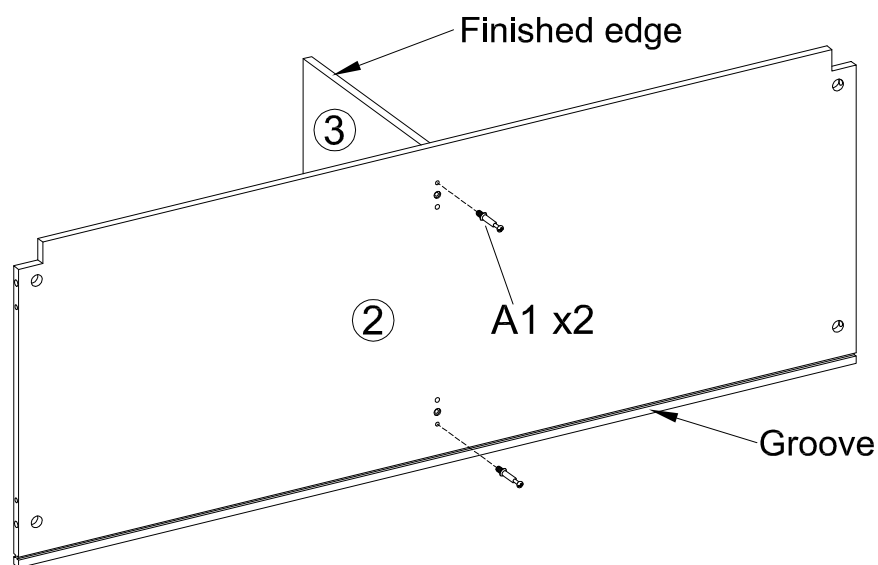
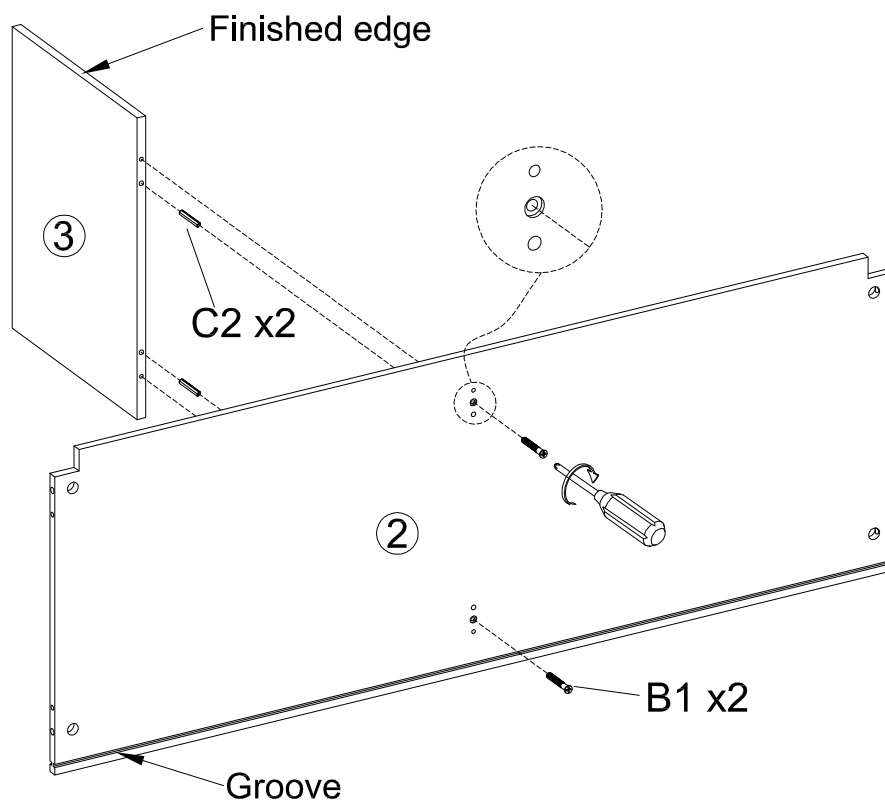


x2

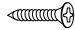




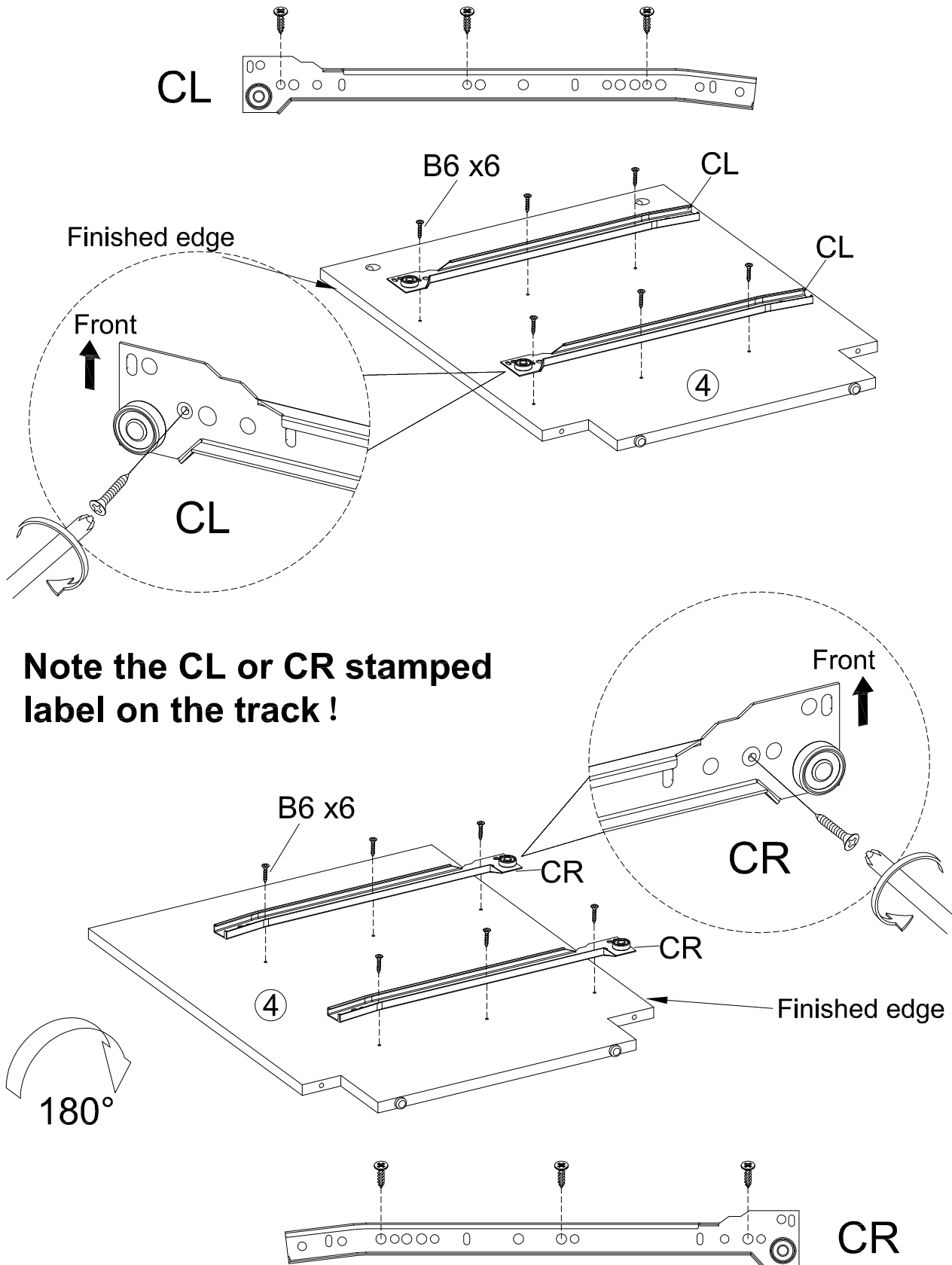
Step 6

					
A1	2PCS	B1	2PCS	C2	2PCS





Step 7

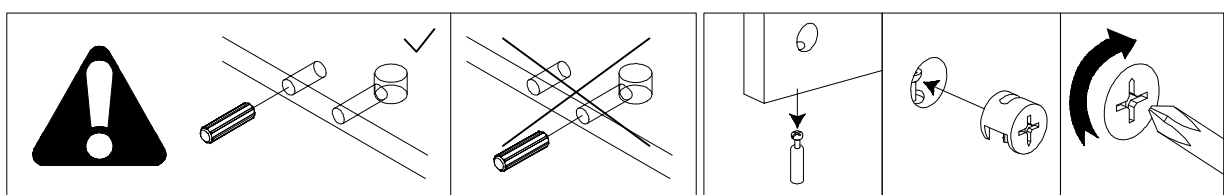
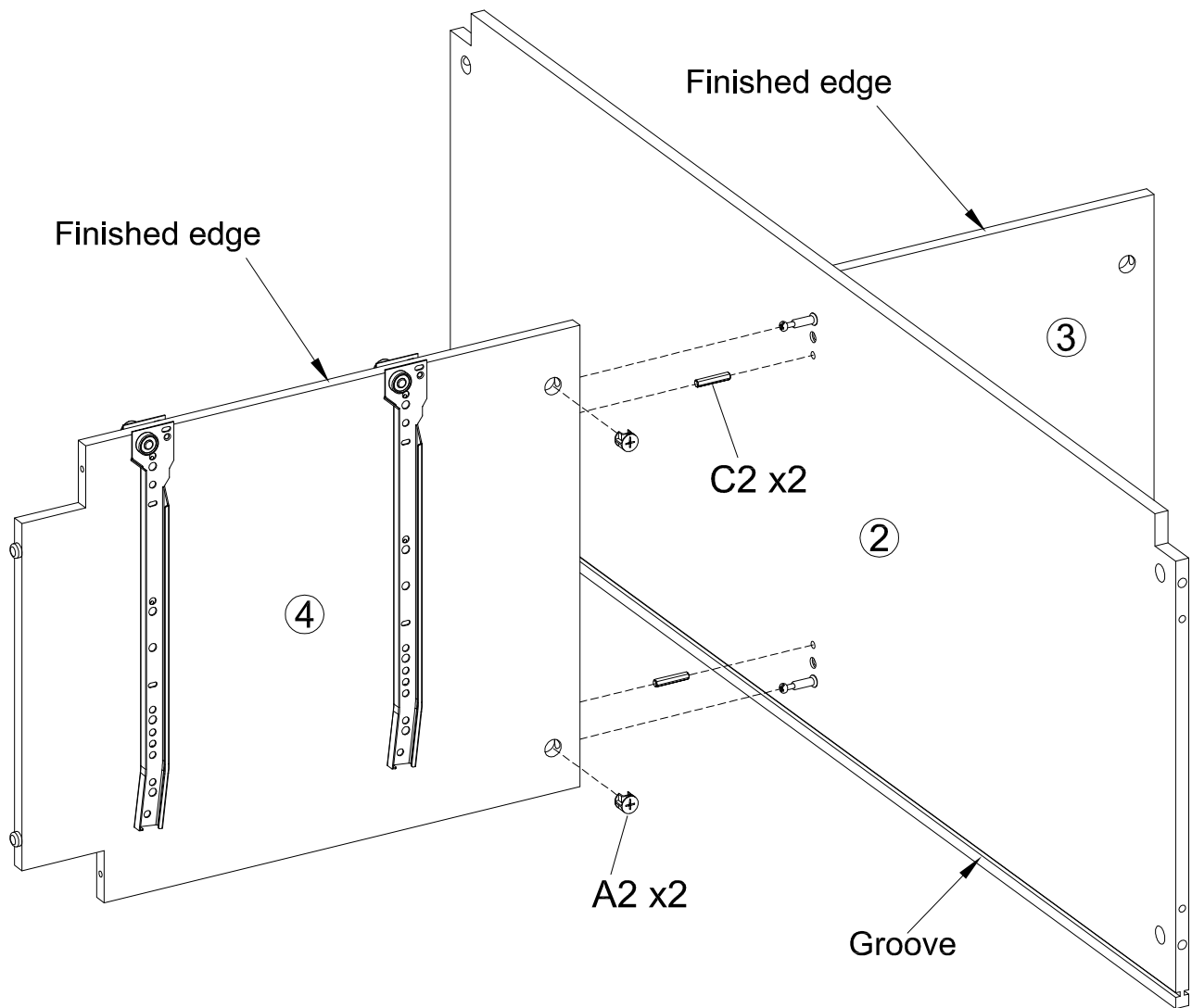
		
B6 12PCS	CL 2PCS	CR 2PCS



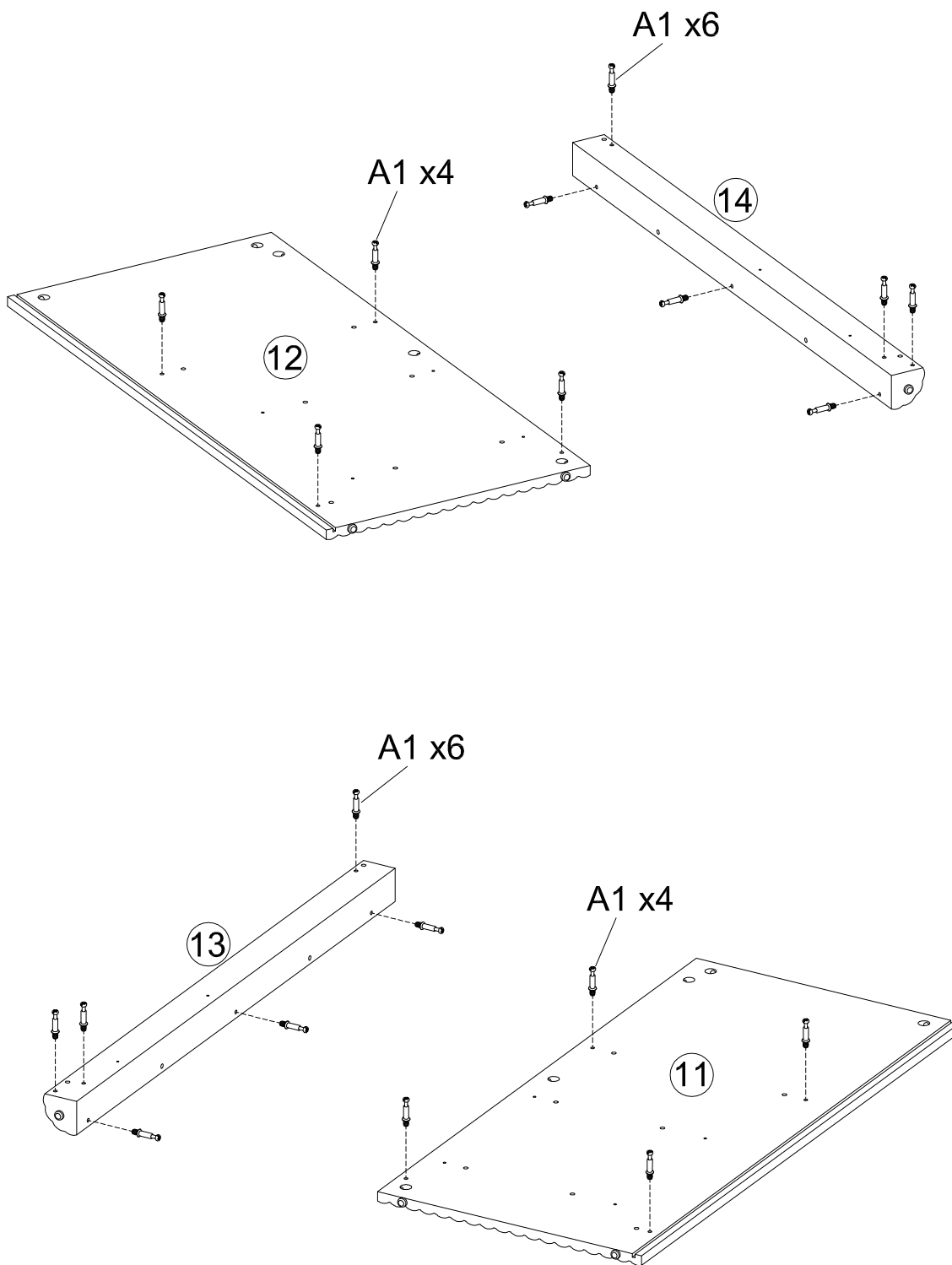
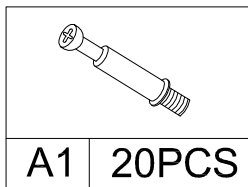
**Note the CL or CR stamped label on the track !**

Step 8



			
A2	2PCS	C2	2PCS

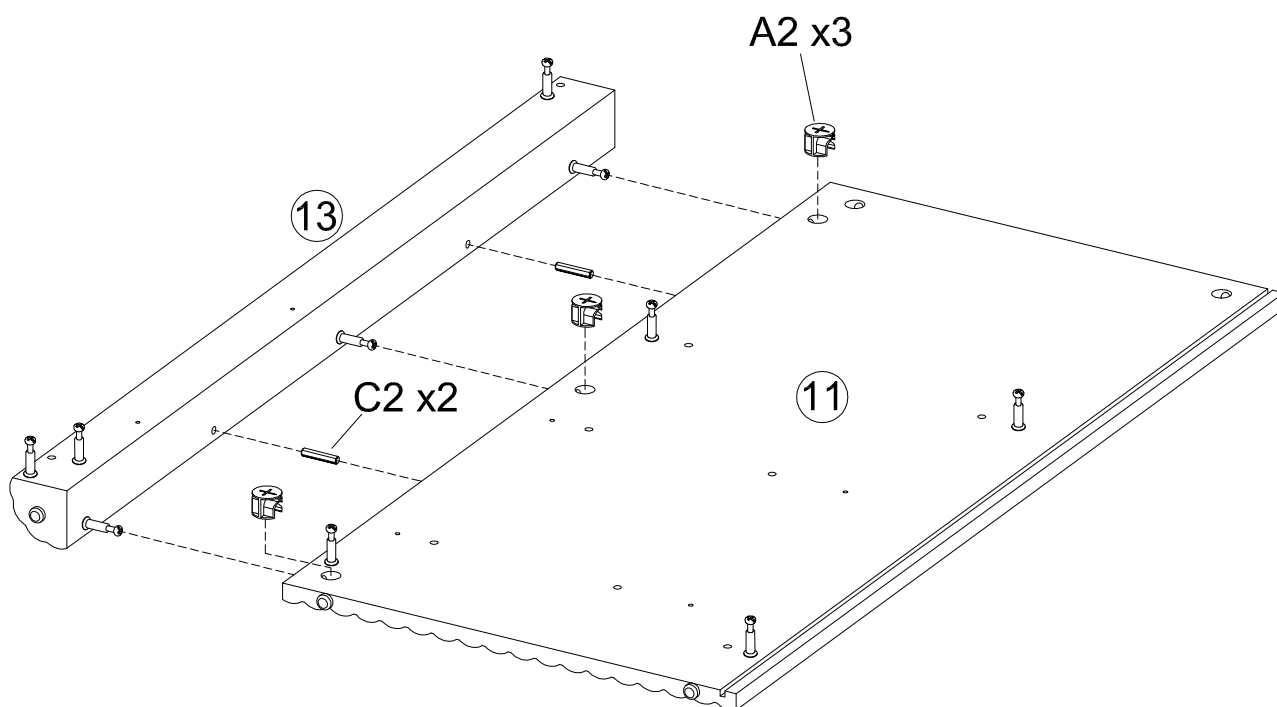
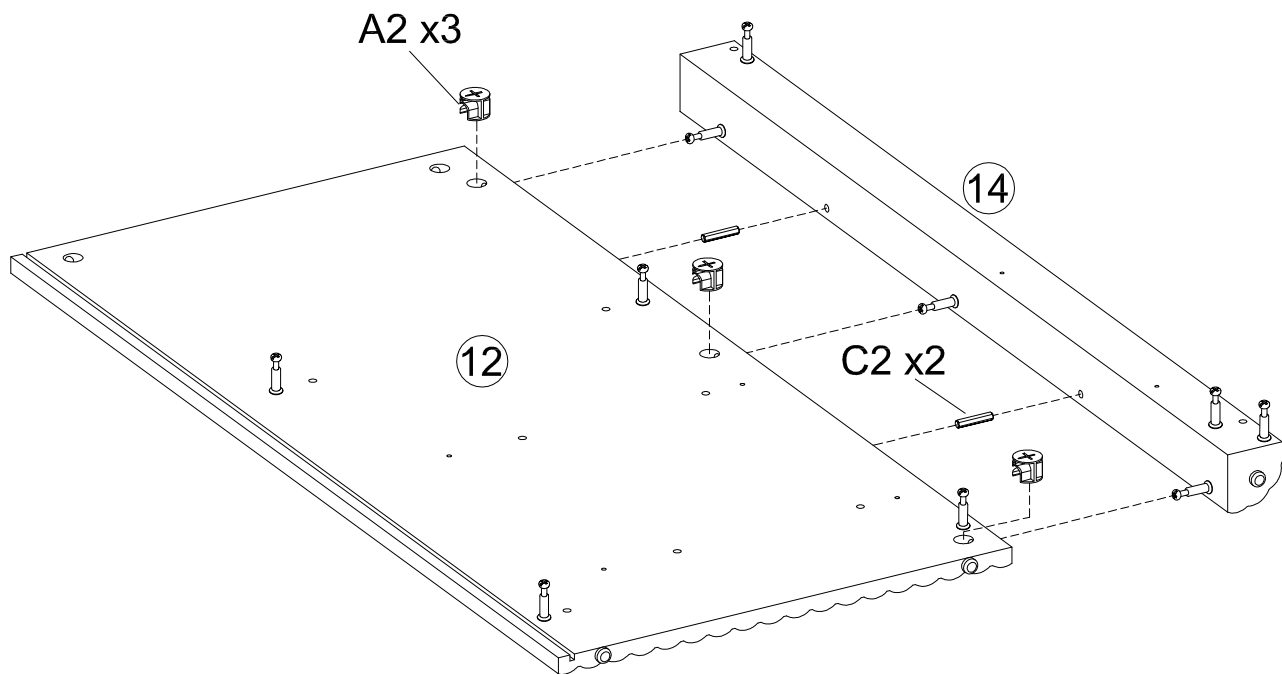


Step 9






Step 10

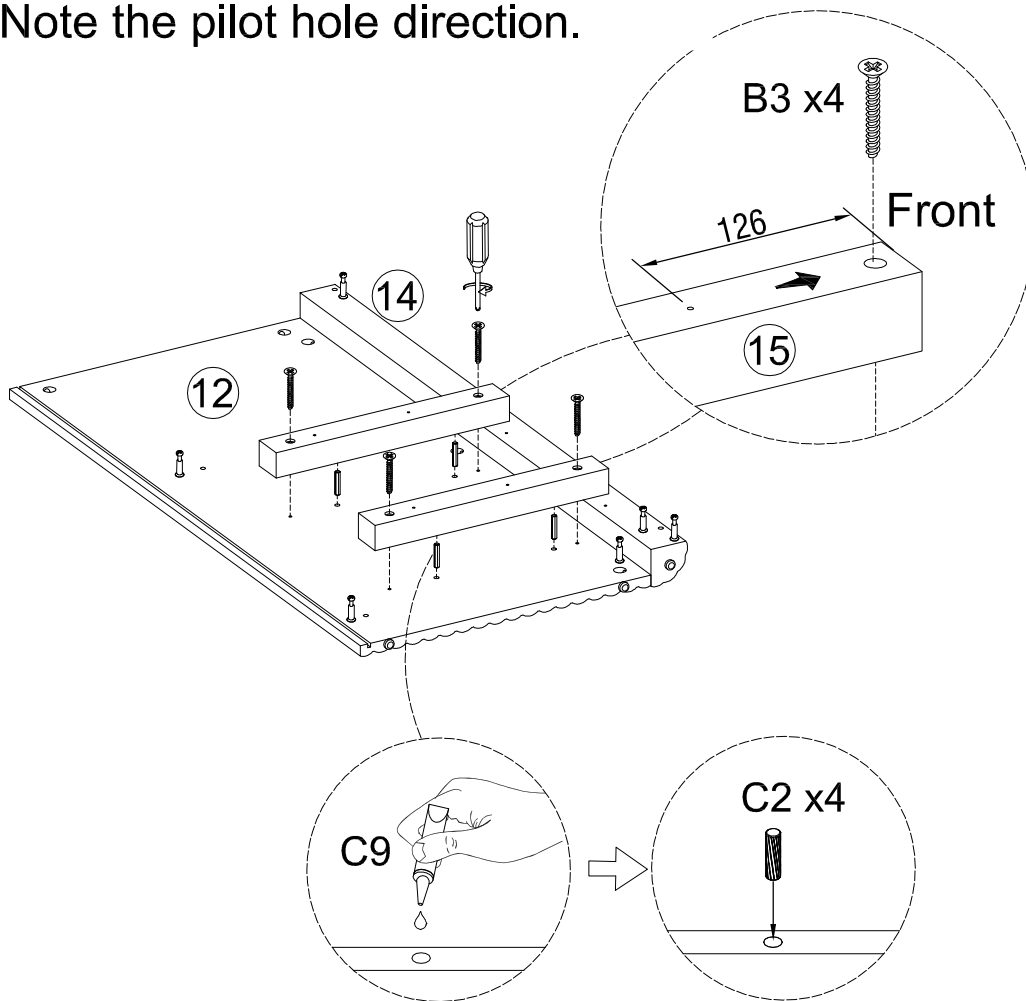
			
A2	6PCS	C2	4PCS



Step 11




					
B3	4PCS	C2	4PCS	C9	1PC

Note the pilot hole direction.

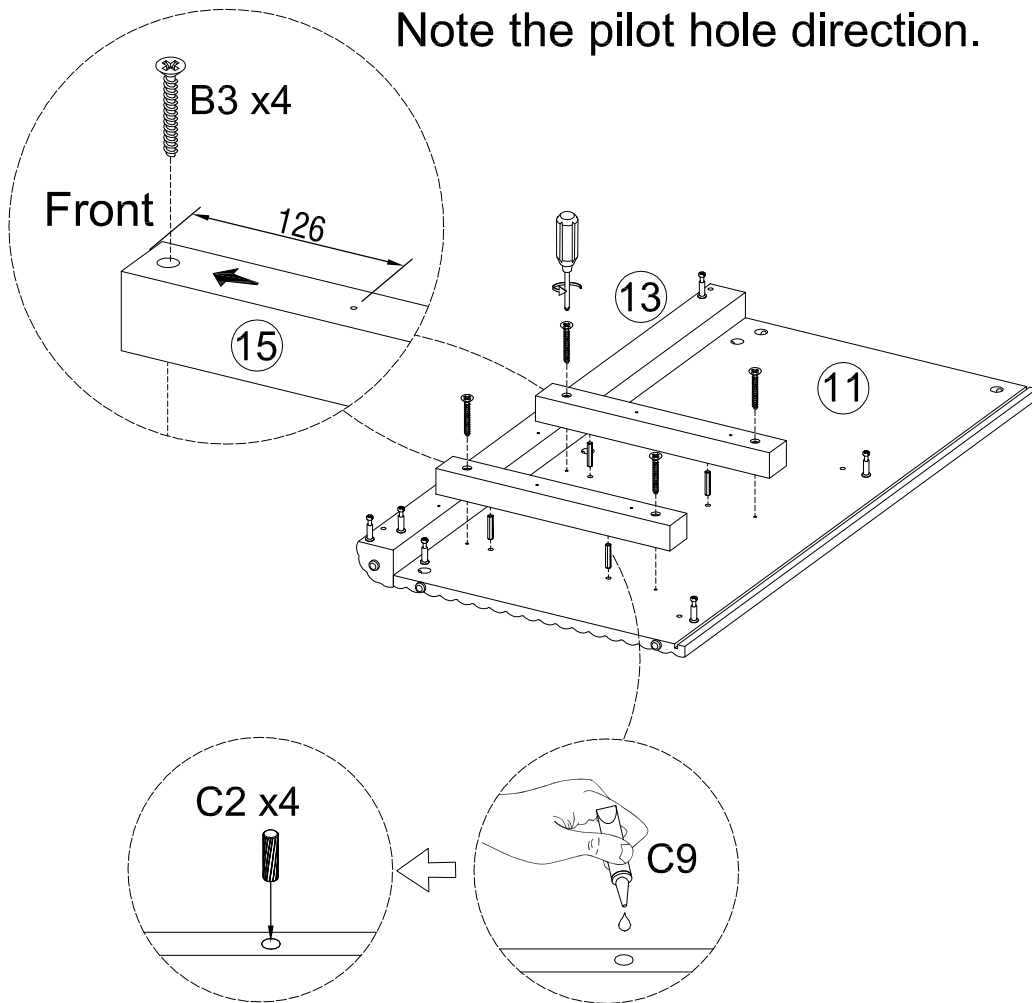


Locate the appropriate hole for the dowel, place a small amount of glue in the hole and insert the dowel. Wipe away excess glue immediately.

Step 12



					
B3	4PCS	C2	4PCS	C9	1PC

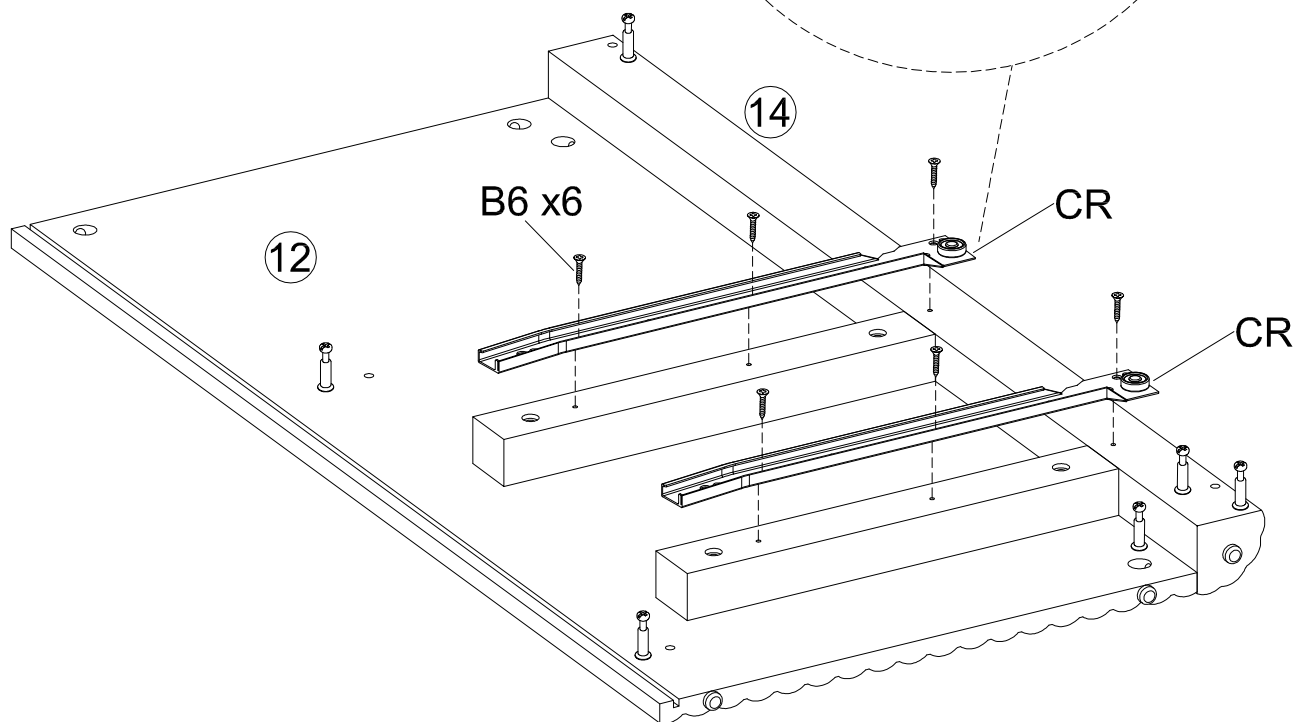
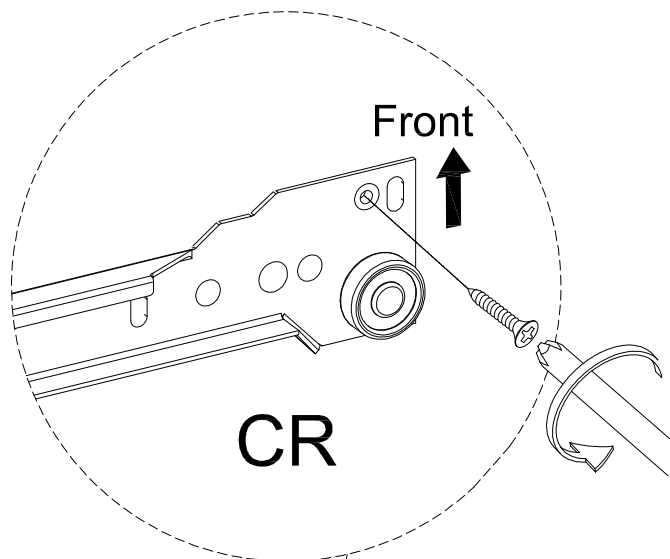
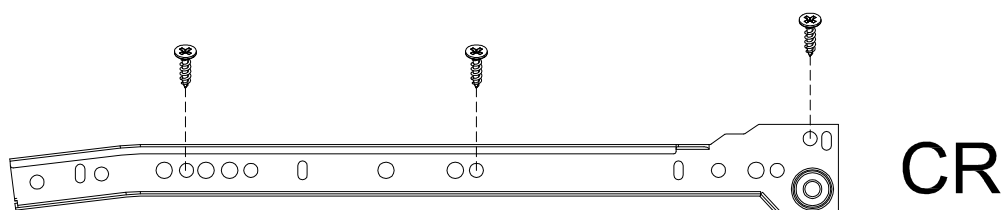
Note the pilot hole direction.





Locate the appropriate hole for the dowel, place a small amount of glue in the hole and insert the dowel. Wipe away excess glue immediately.

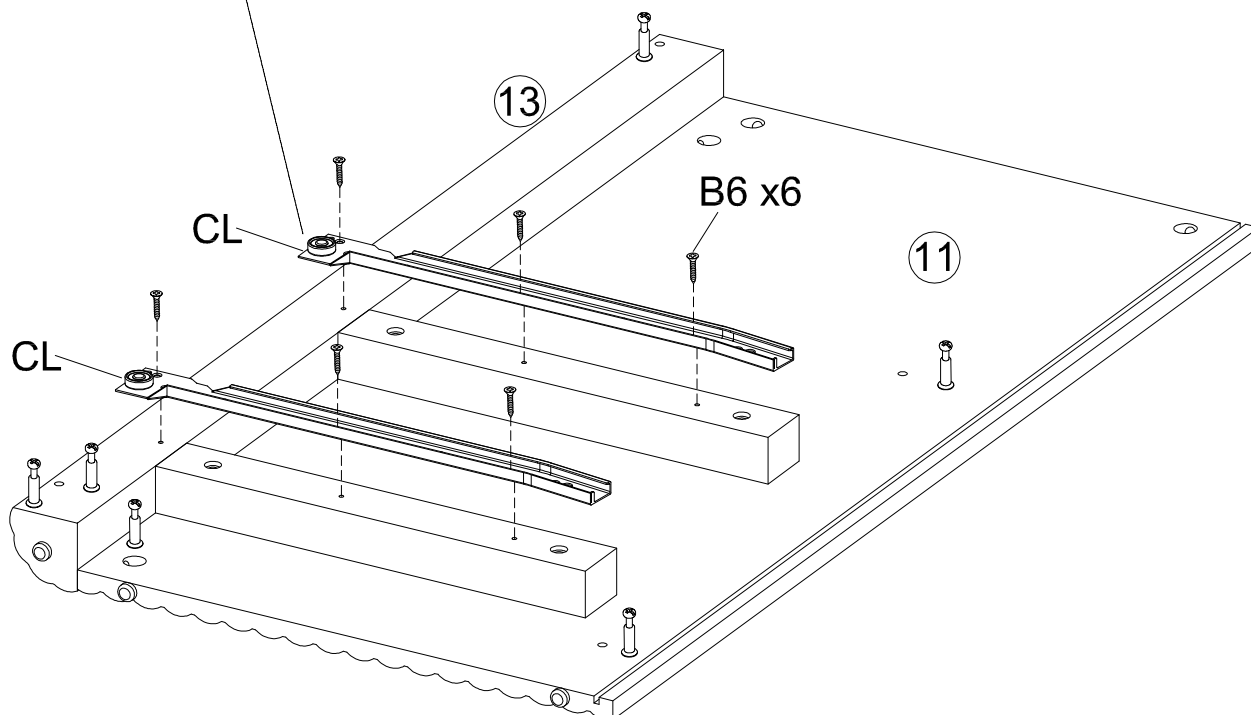
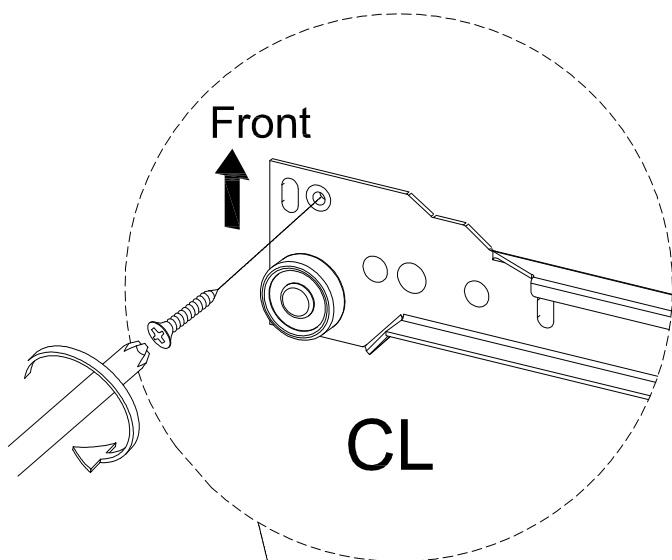
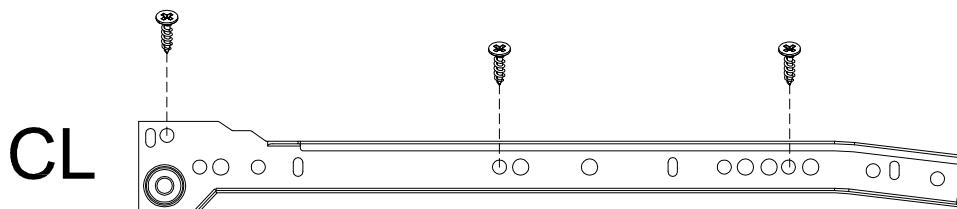
Step 13

	
B6 6PCS	CR 2PCS





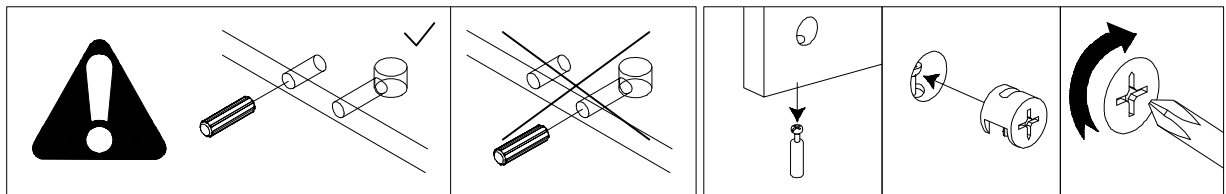
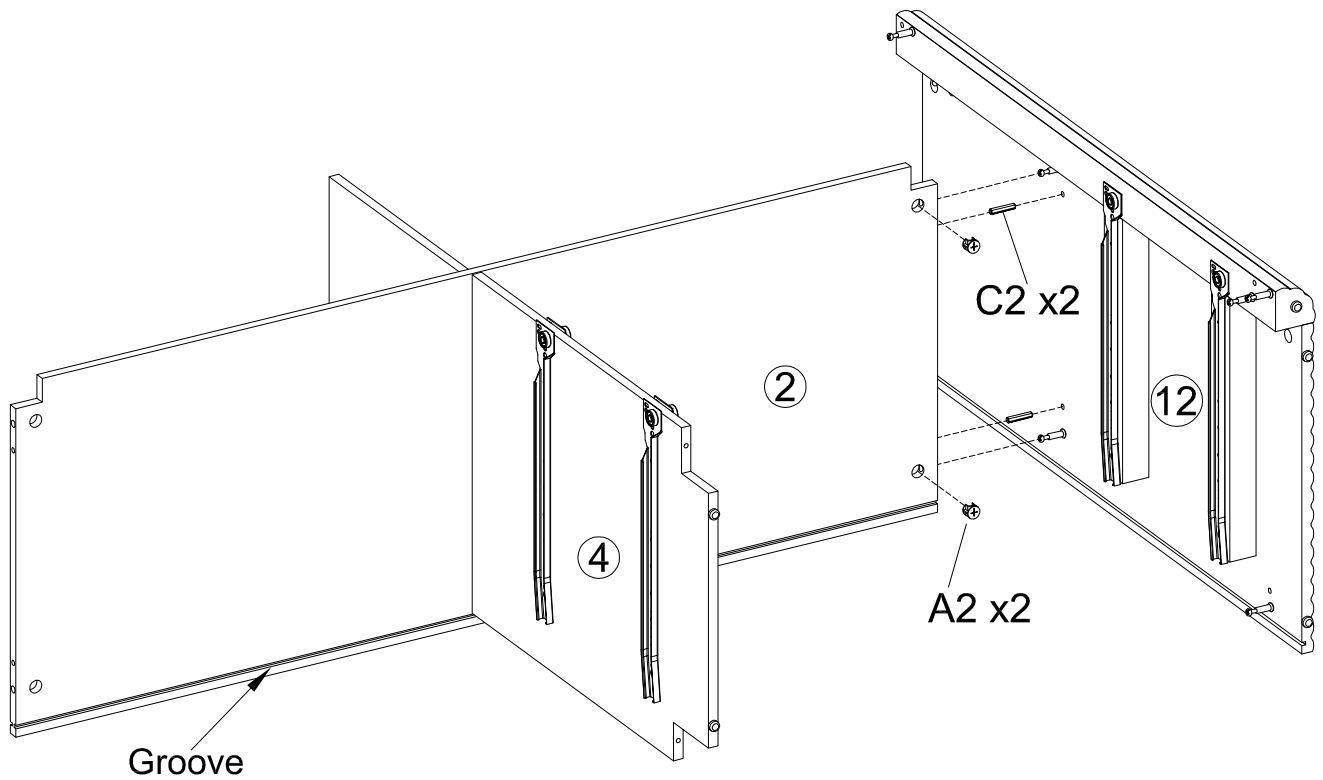
Step 14

	
B6 6PCS	CL 2PCS

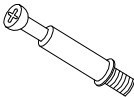
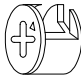



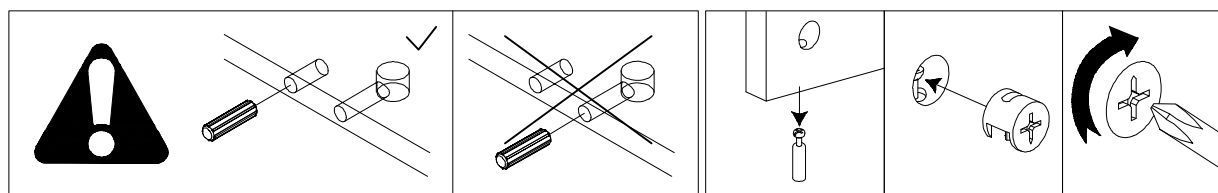
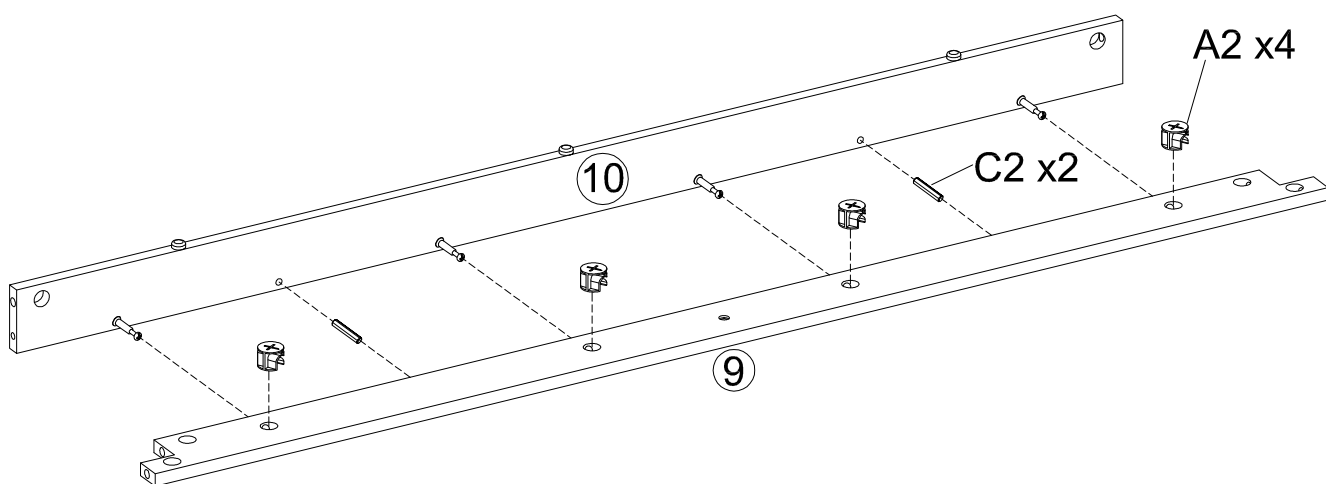
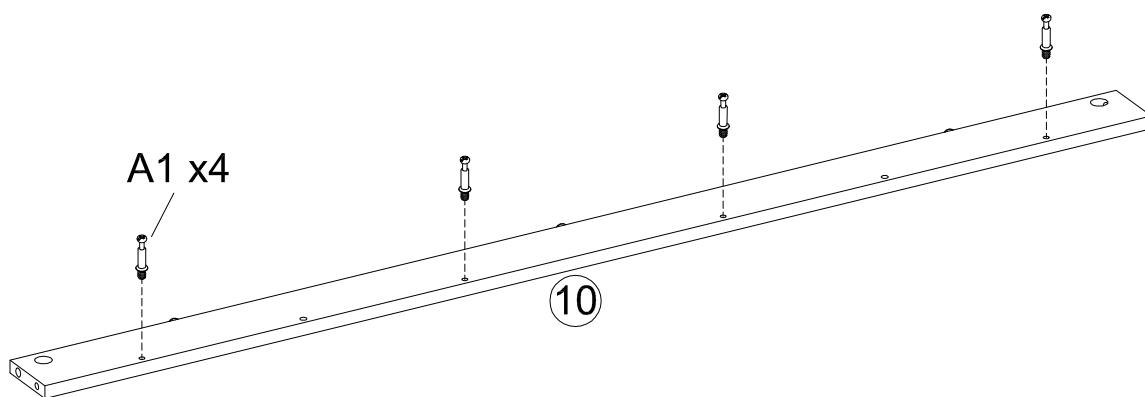
Step 15

			
A2	2PCS	C2	2PCS





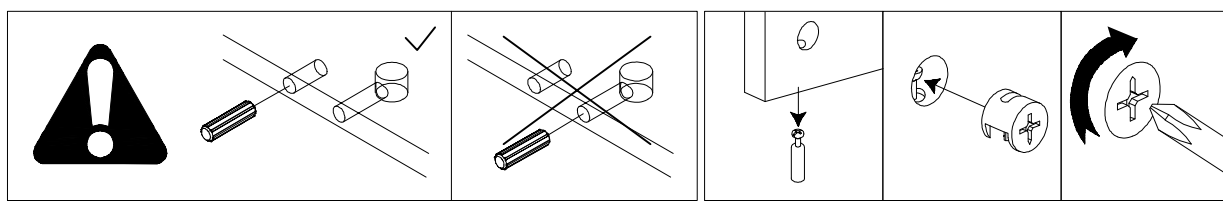
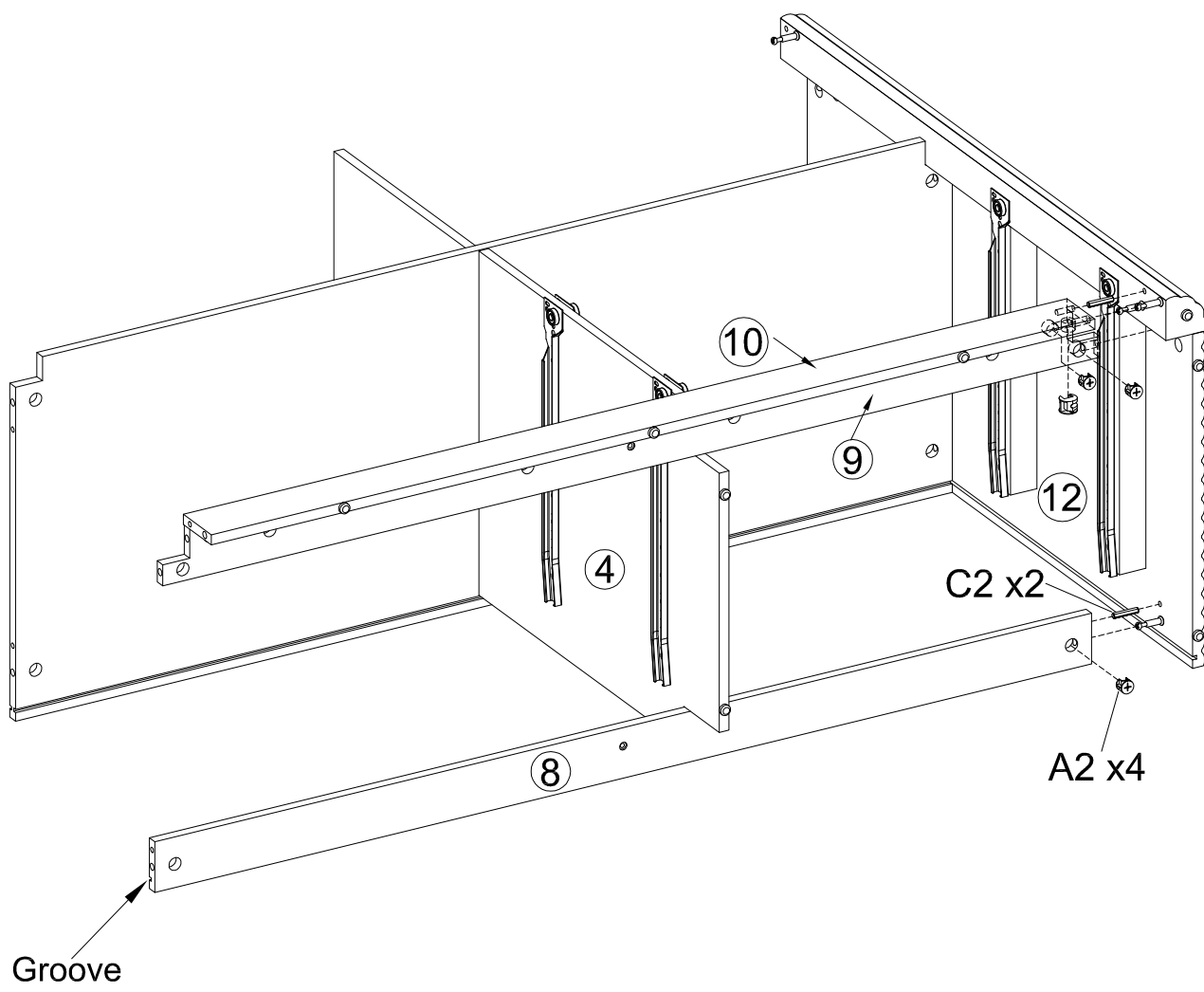
# Step 16

		
A1 4PCS	A2 4PCS	C2 2PCS




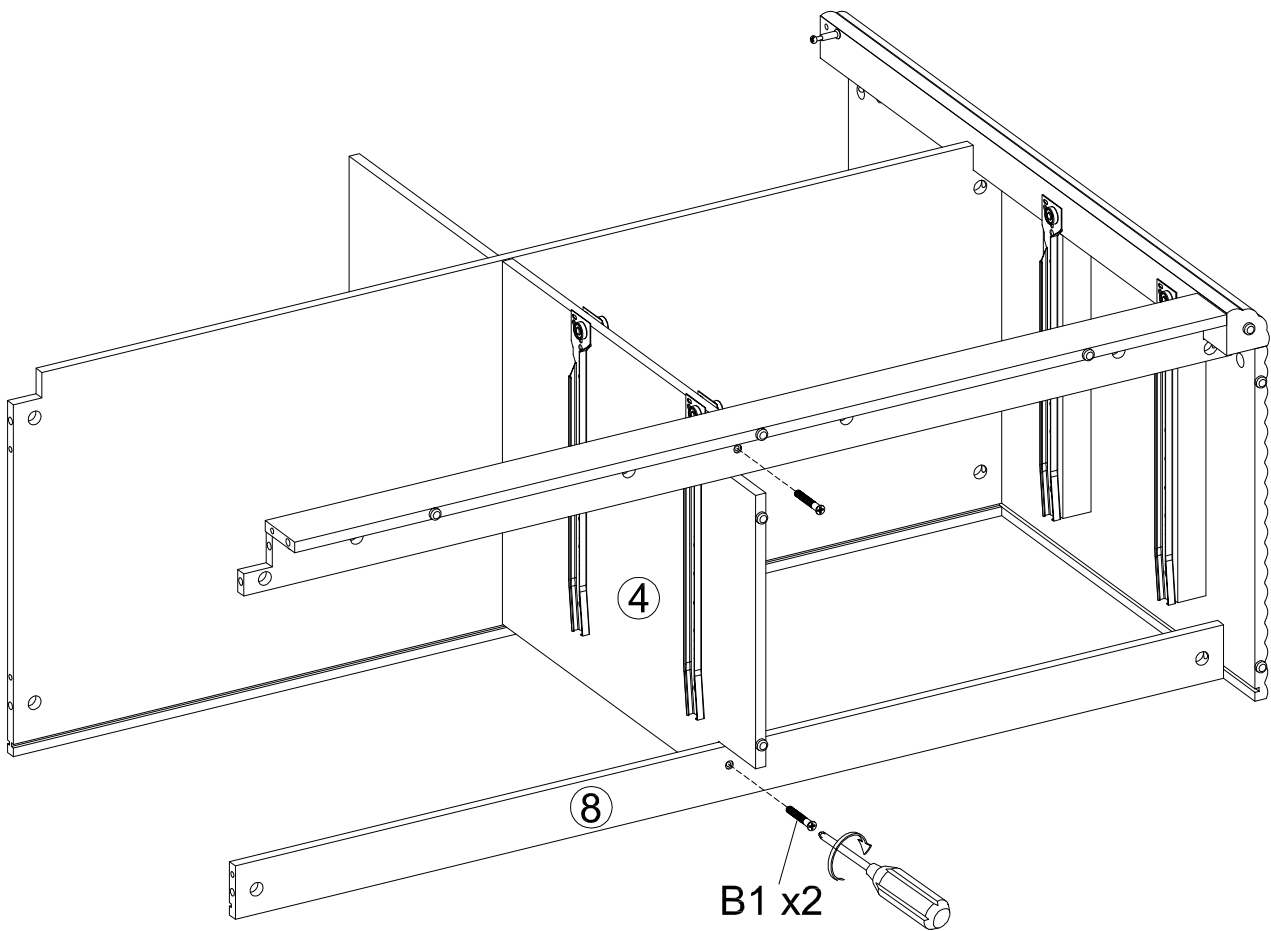
# Step 17

			
A2	4PCS	C2	2PCS



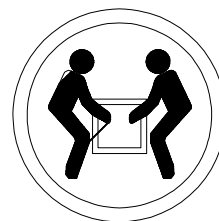
Step 18

	
B1	2PCS



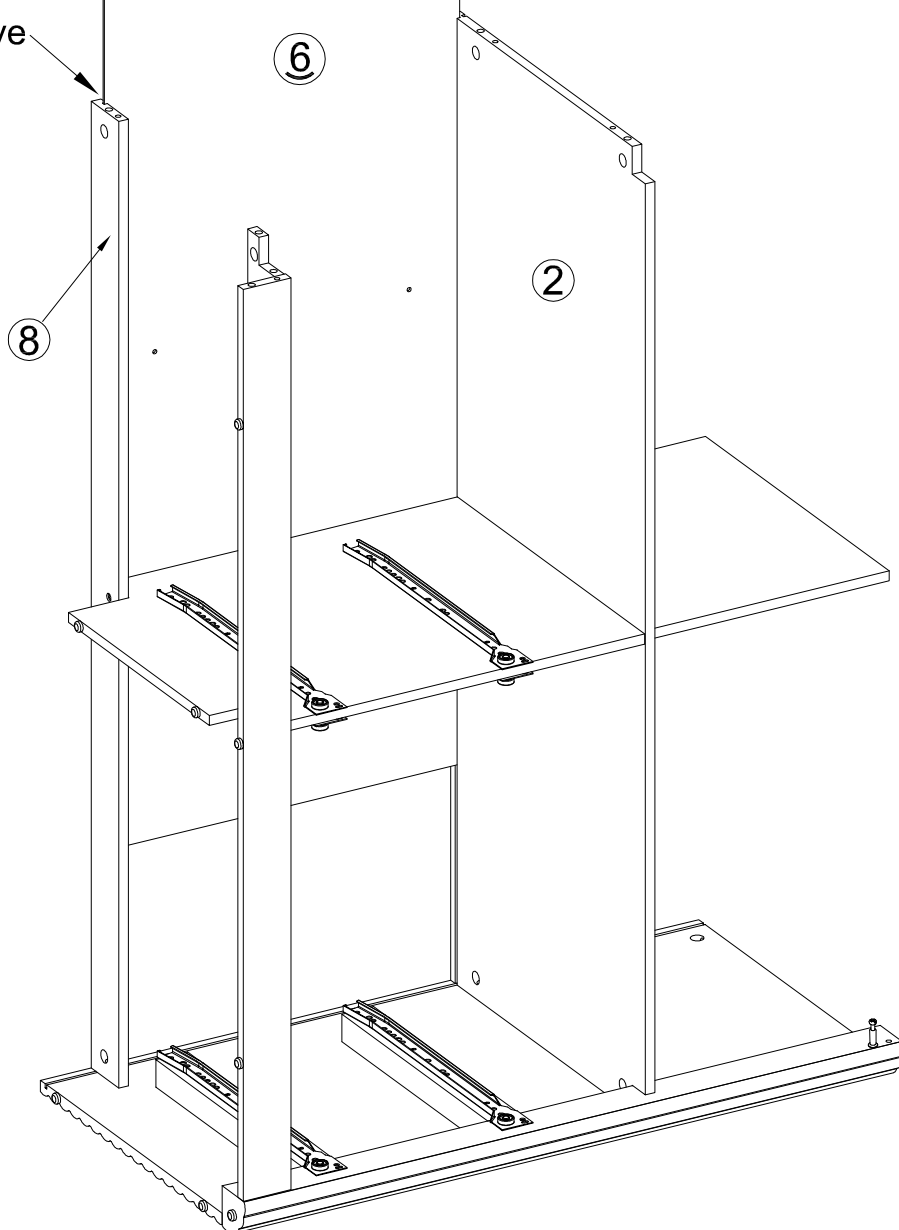
Indicate the hole positions on component 4.

# Step 19





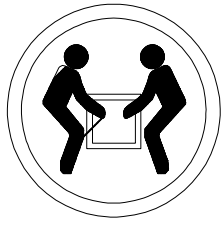
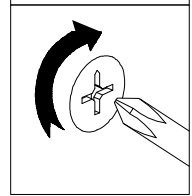
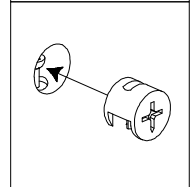
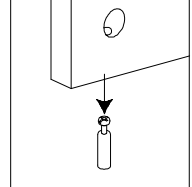
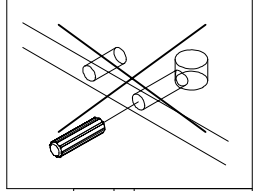
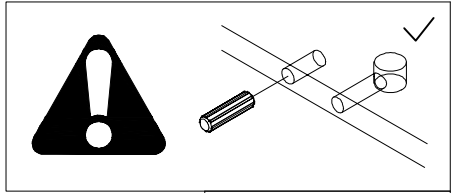
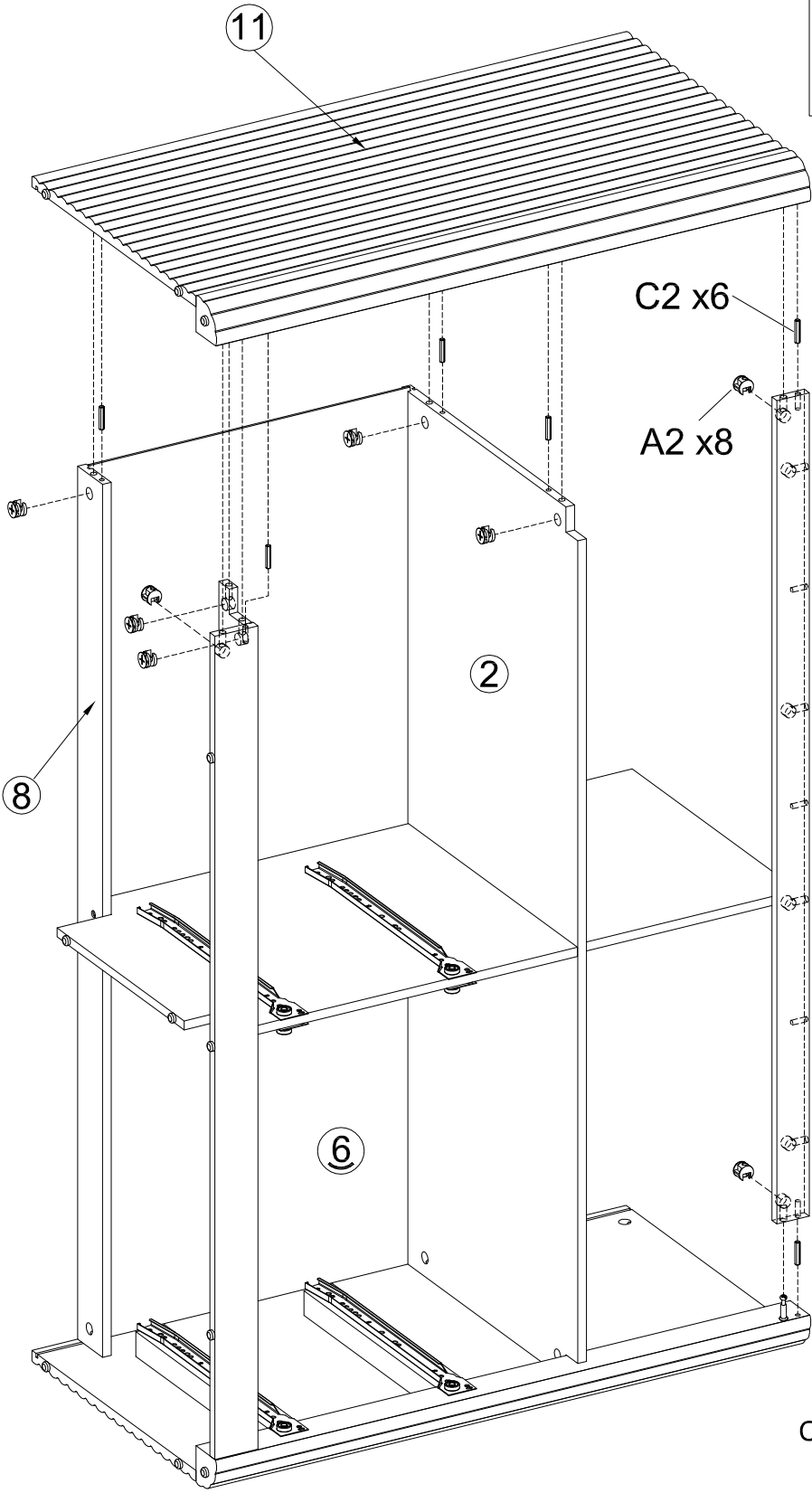
**CAUTION:** Heavy! You may need assistance with this step.

Groove



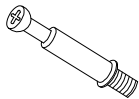


Step 20

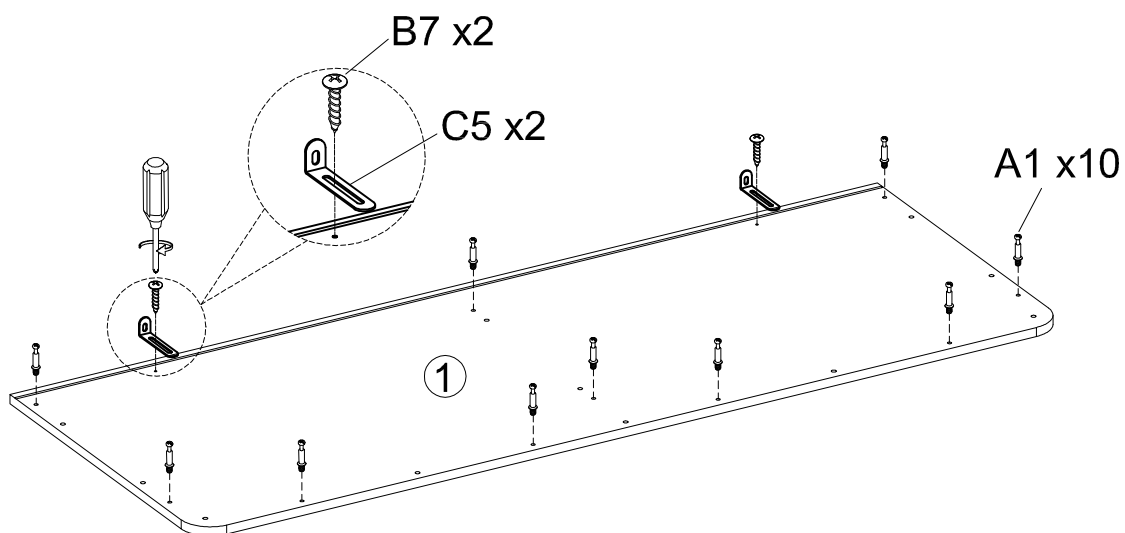
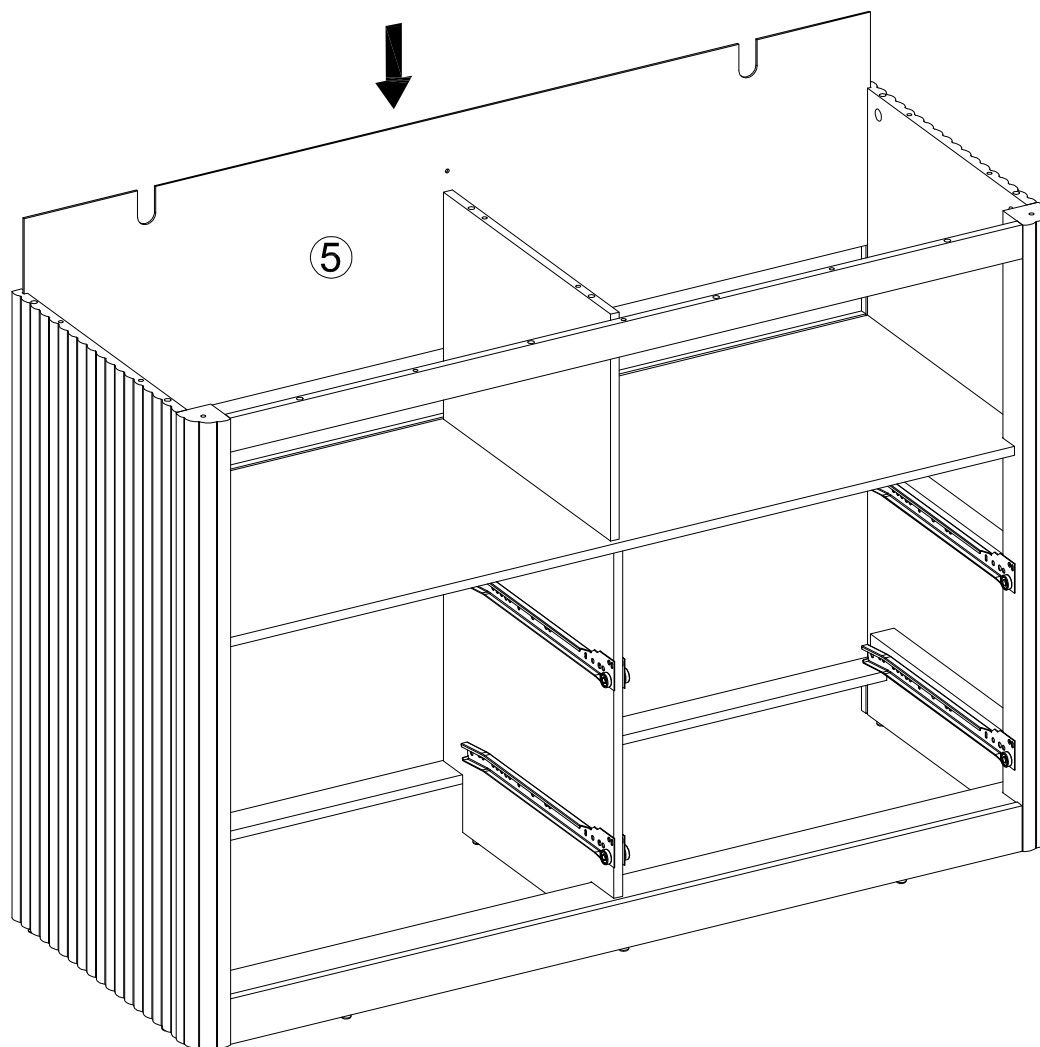
	
A2 8PCS	C2 6PCS





CAUTION: Heavy! You may need assistance with this step.

Step 21

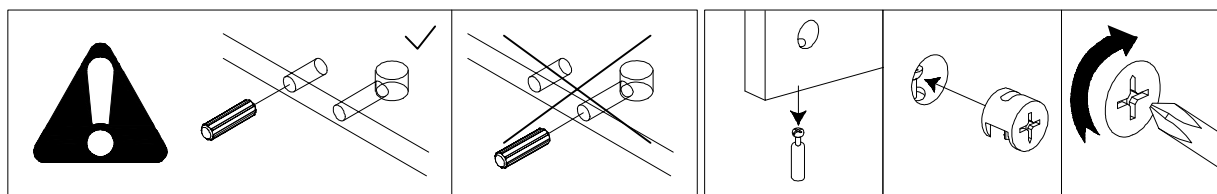
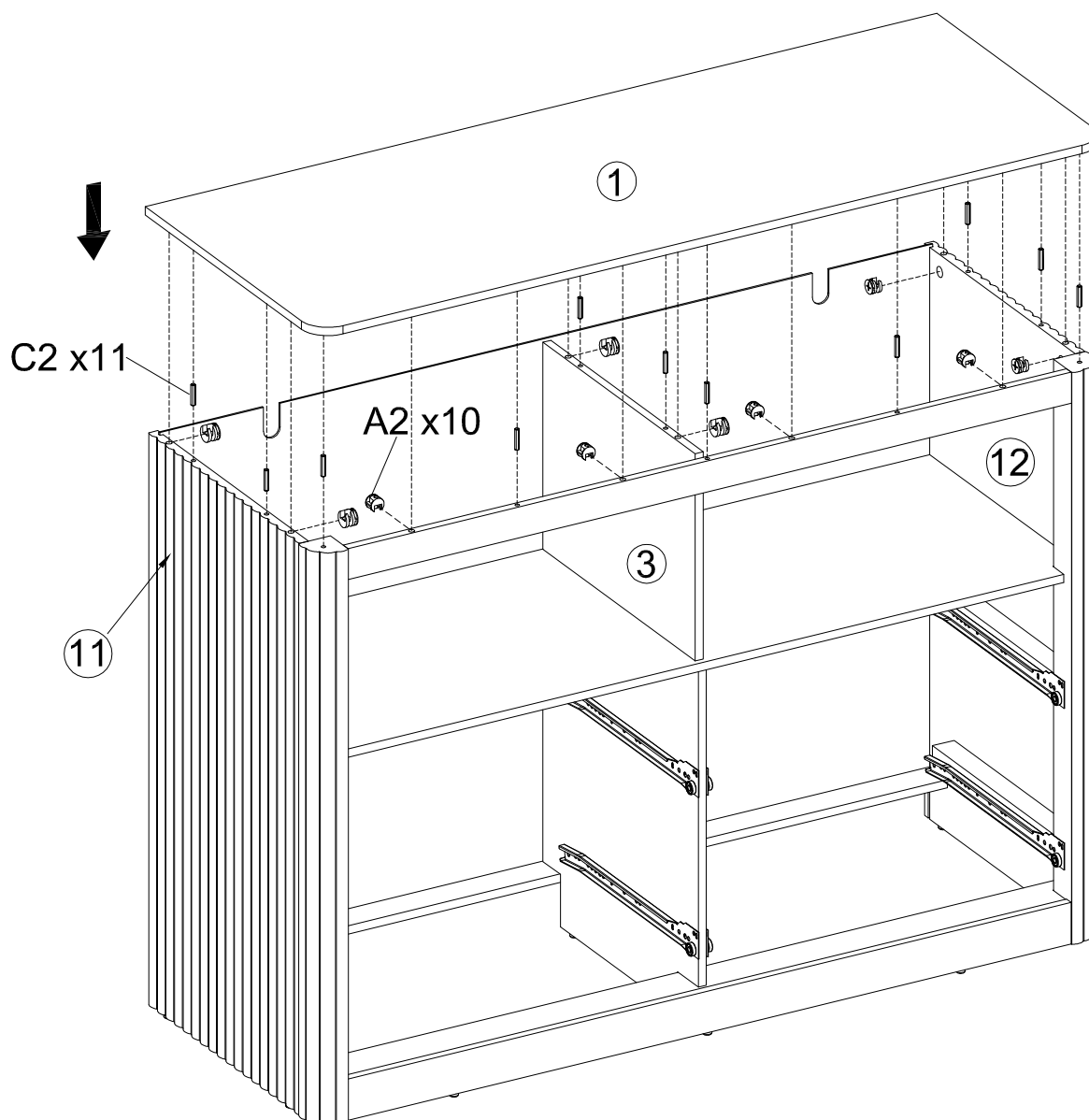
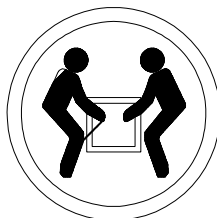
		
A1 10PCS	B7 2PCS	C5 2PCS



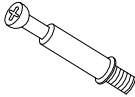

# Step 22

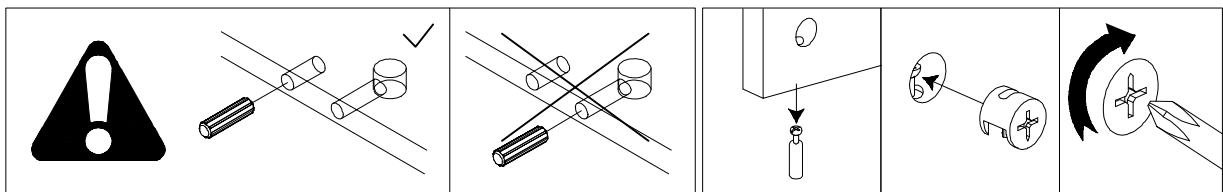
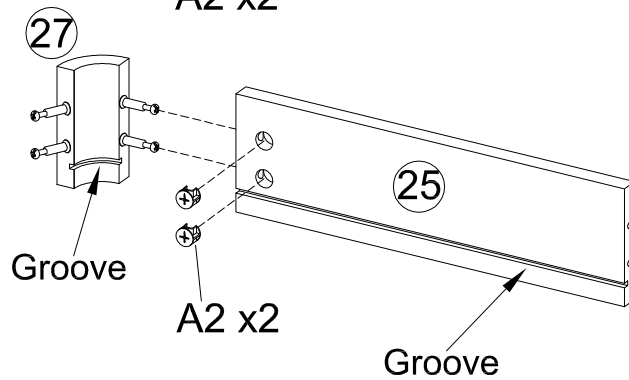
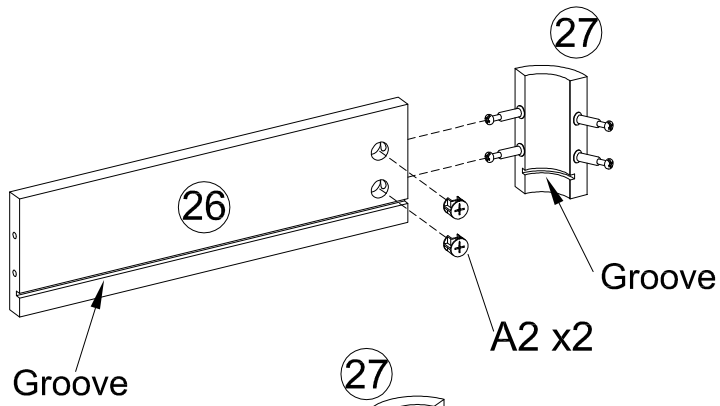
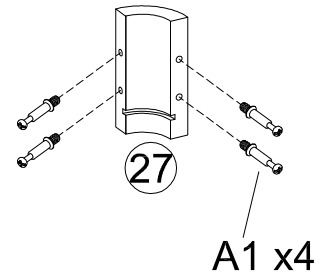
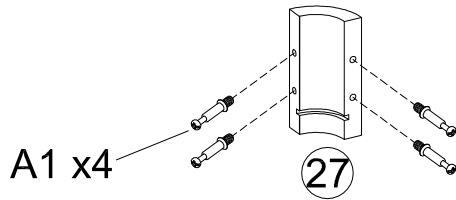
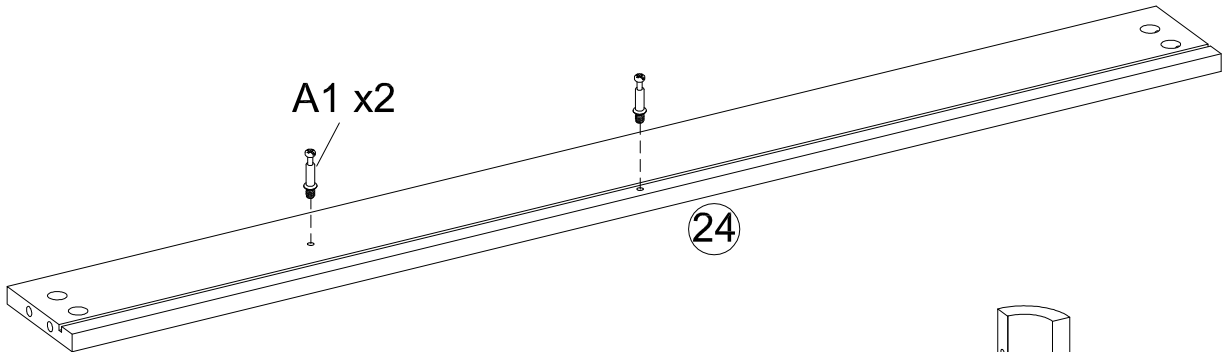
	
A2 10PCS	C2 11PCS

CAUTION: Heavy! You may need assistance with this step.




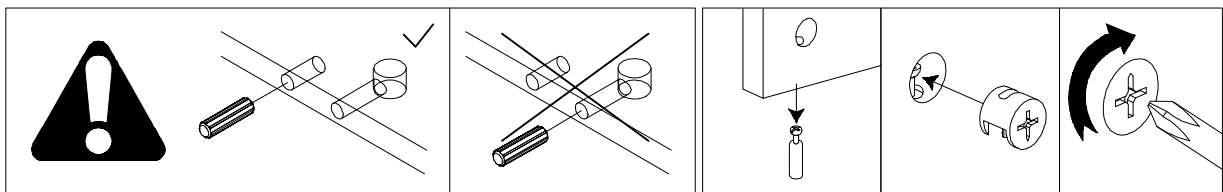
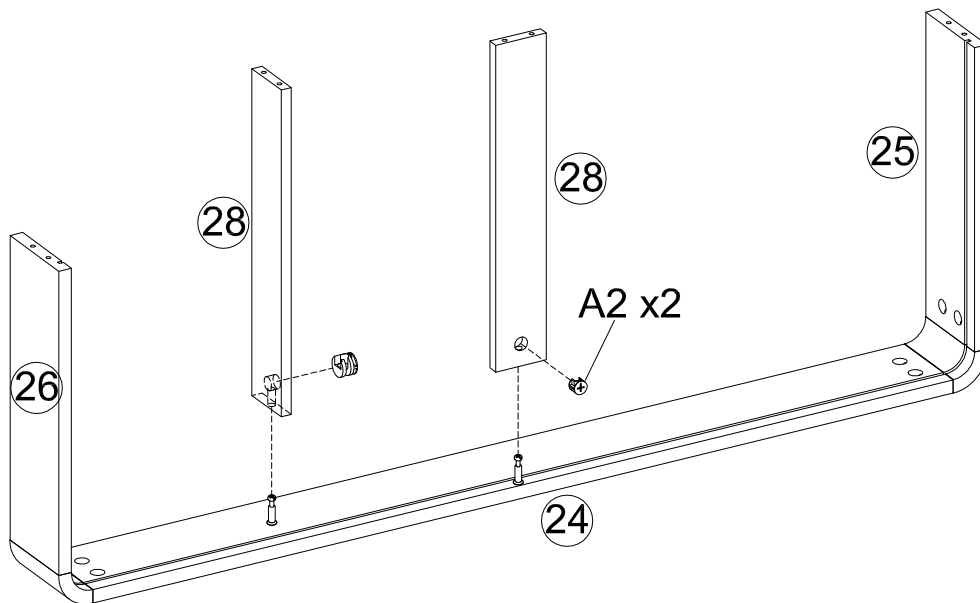
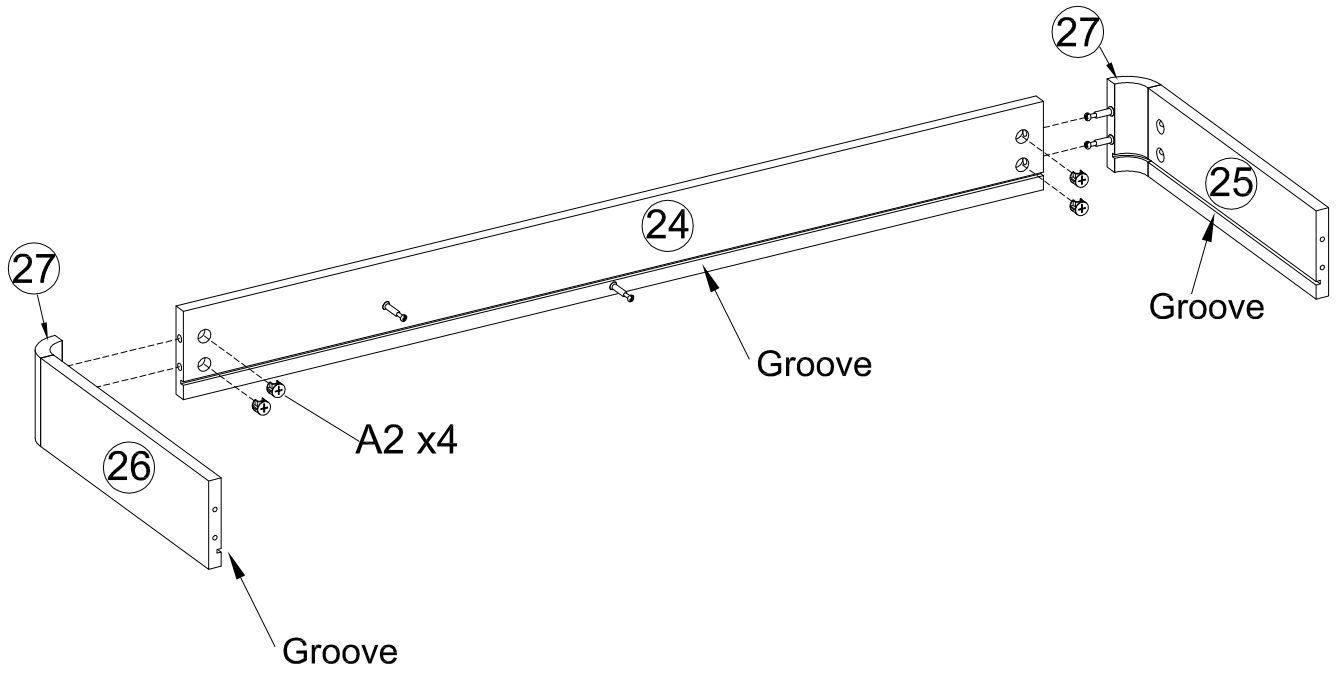
Step 23

	
A1 10PCS	A2 4PCS



Step 24

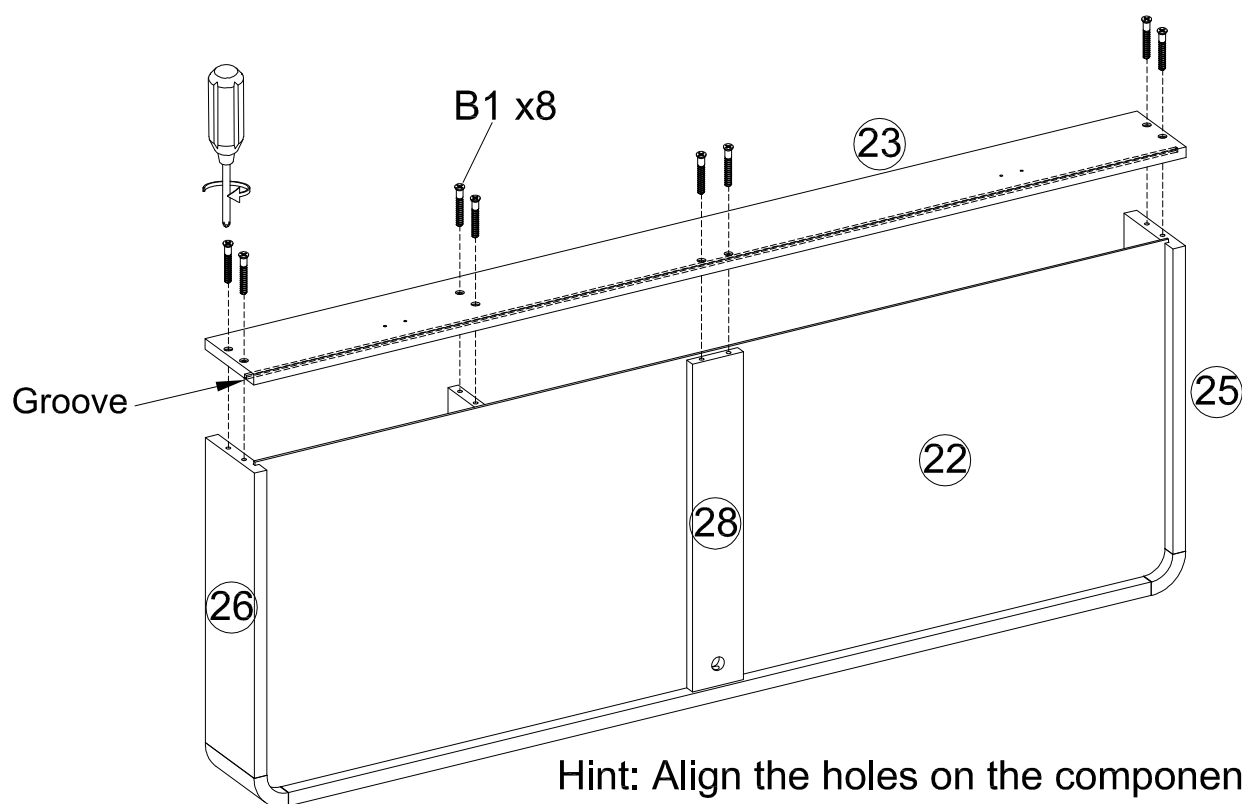
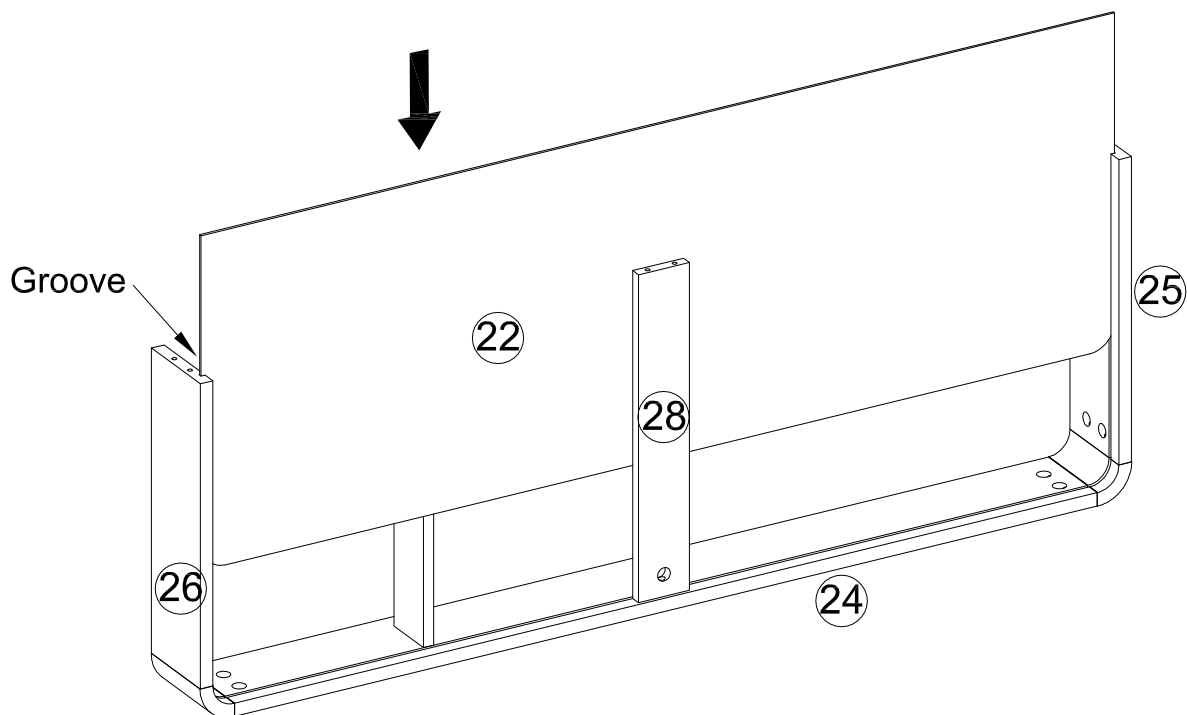
	
A2	6PCS



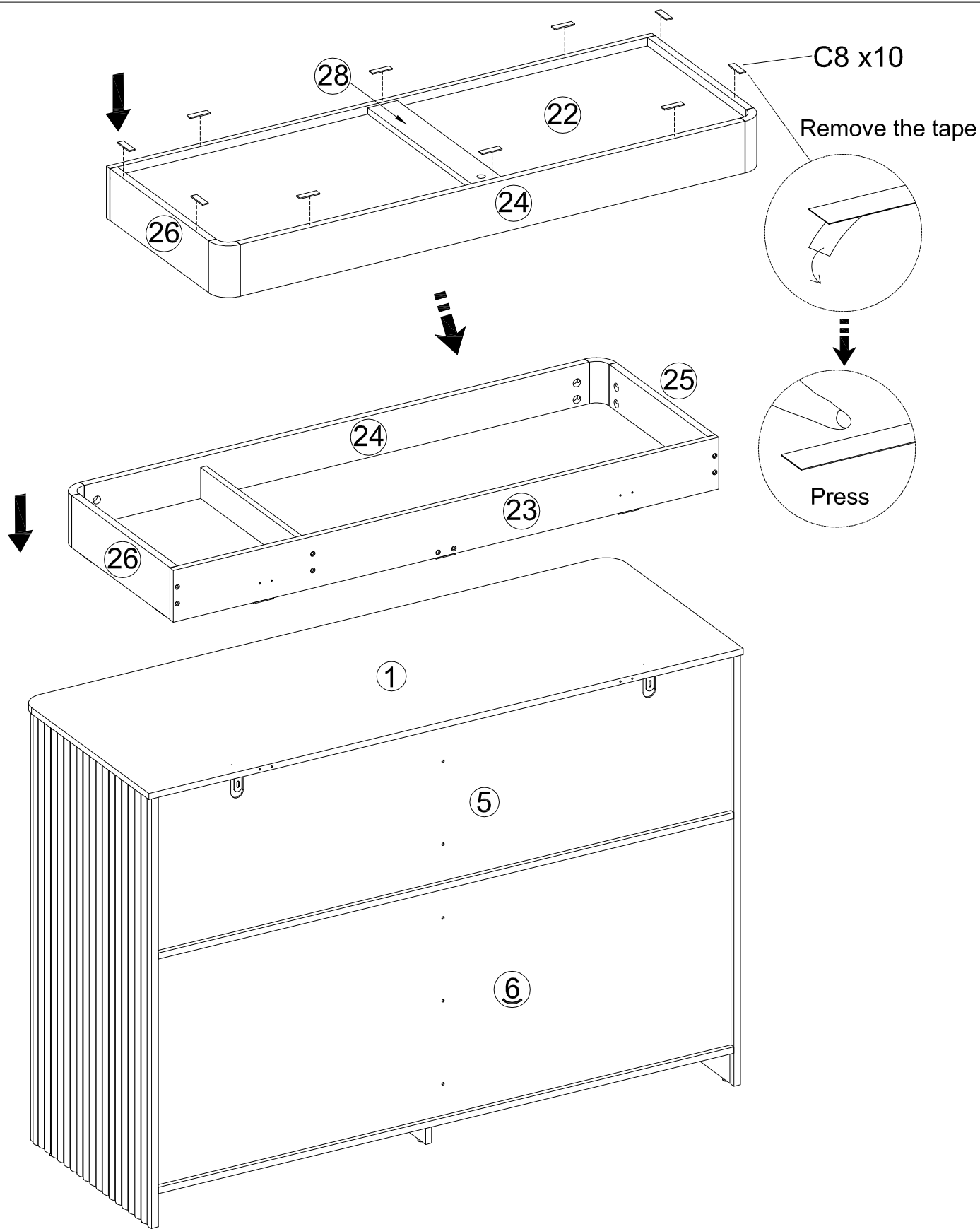
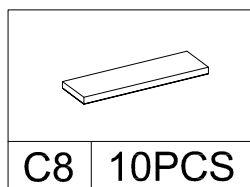
Step 25




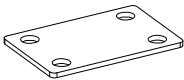
B1	8PCS
----	------

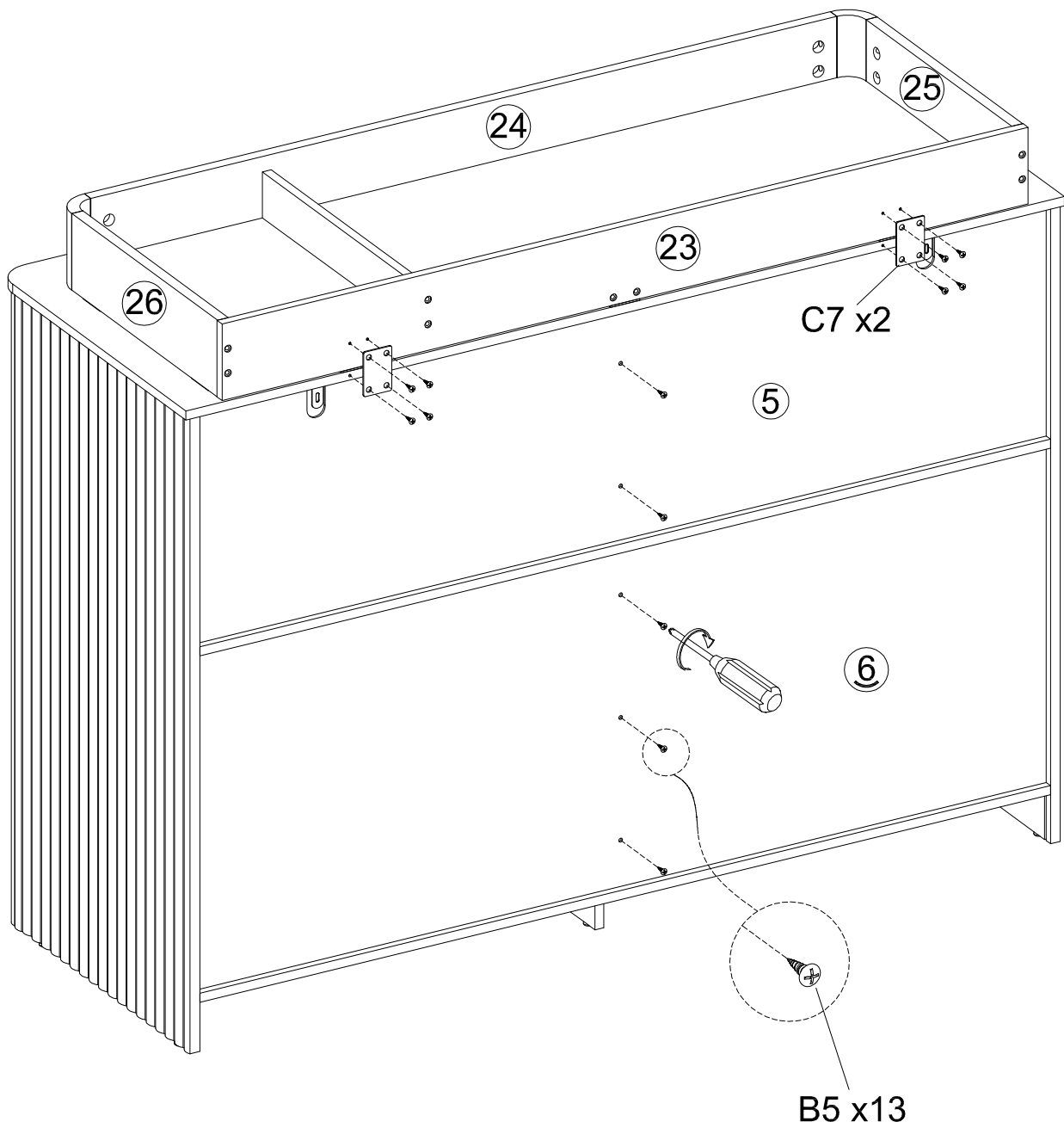


Step 26

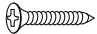
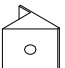


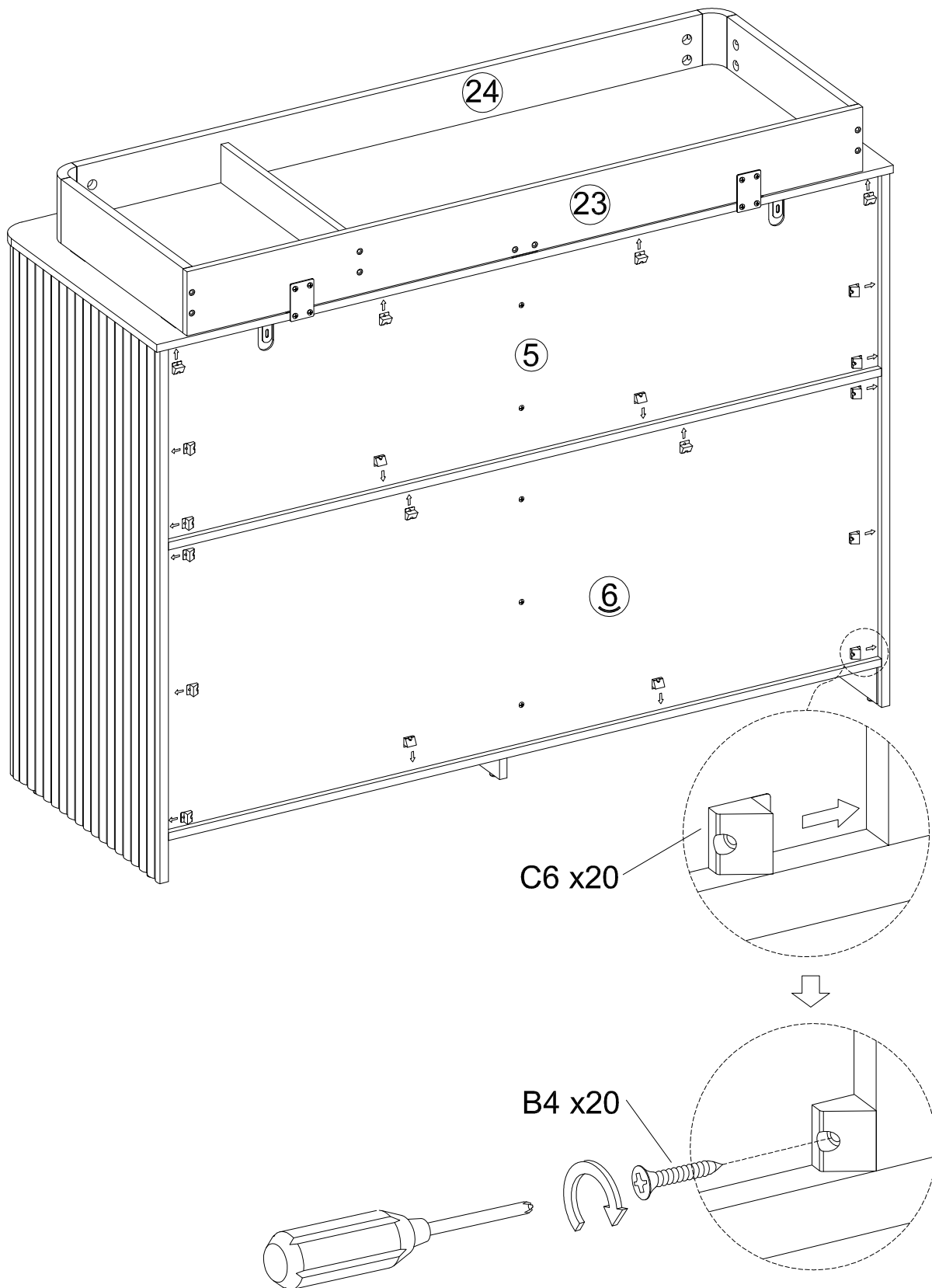
Step 27

	
B5 13PCS	C7 2PCS


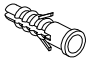


# Step 28

	
B4 20PCS	C6 20PCS

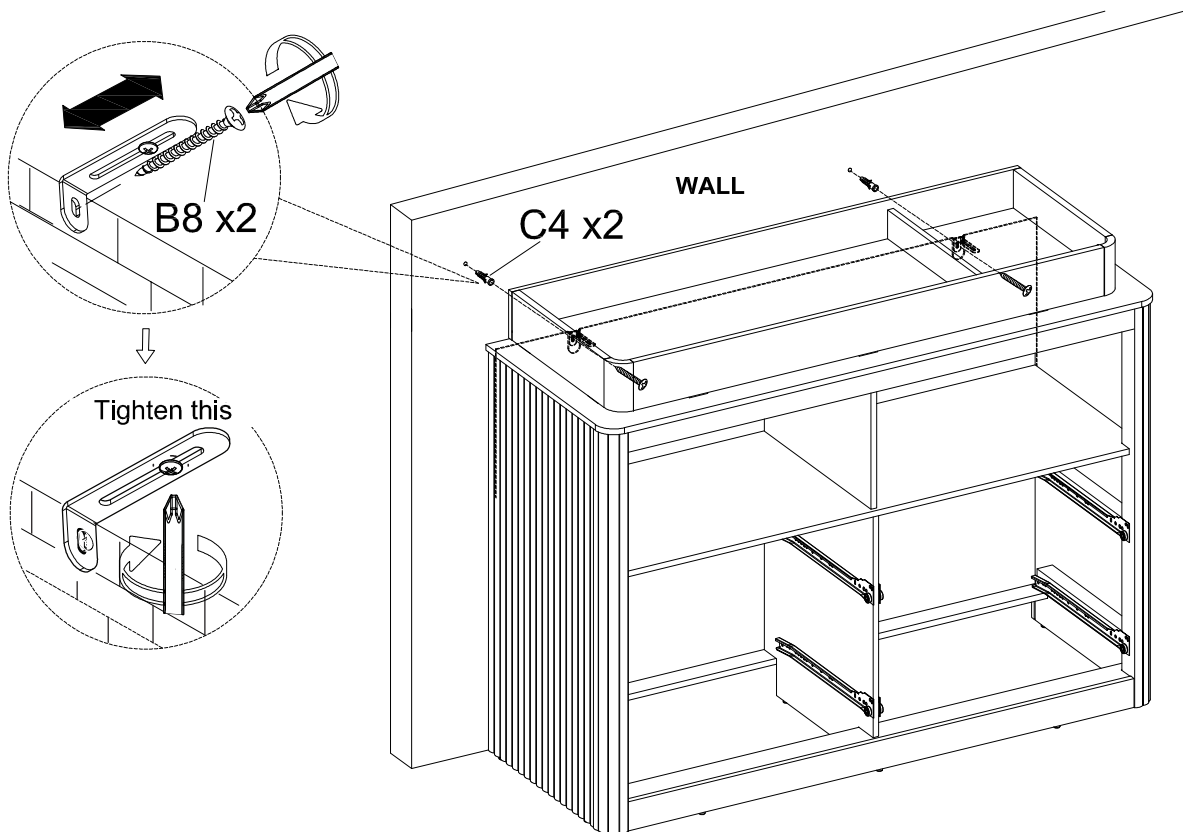
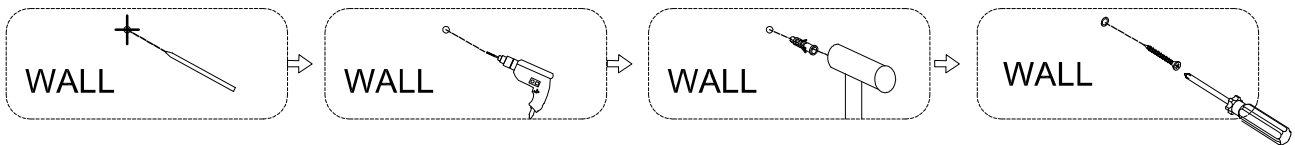


## Step 29

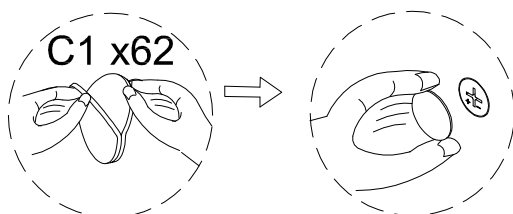
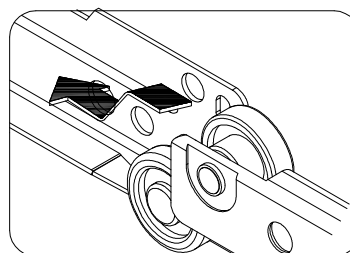
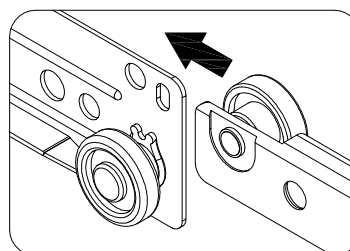
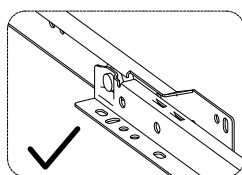
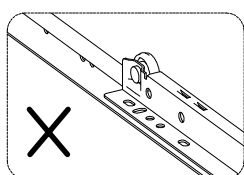
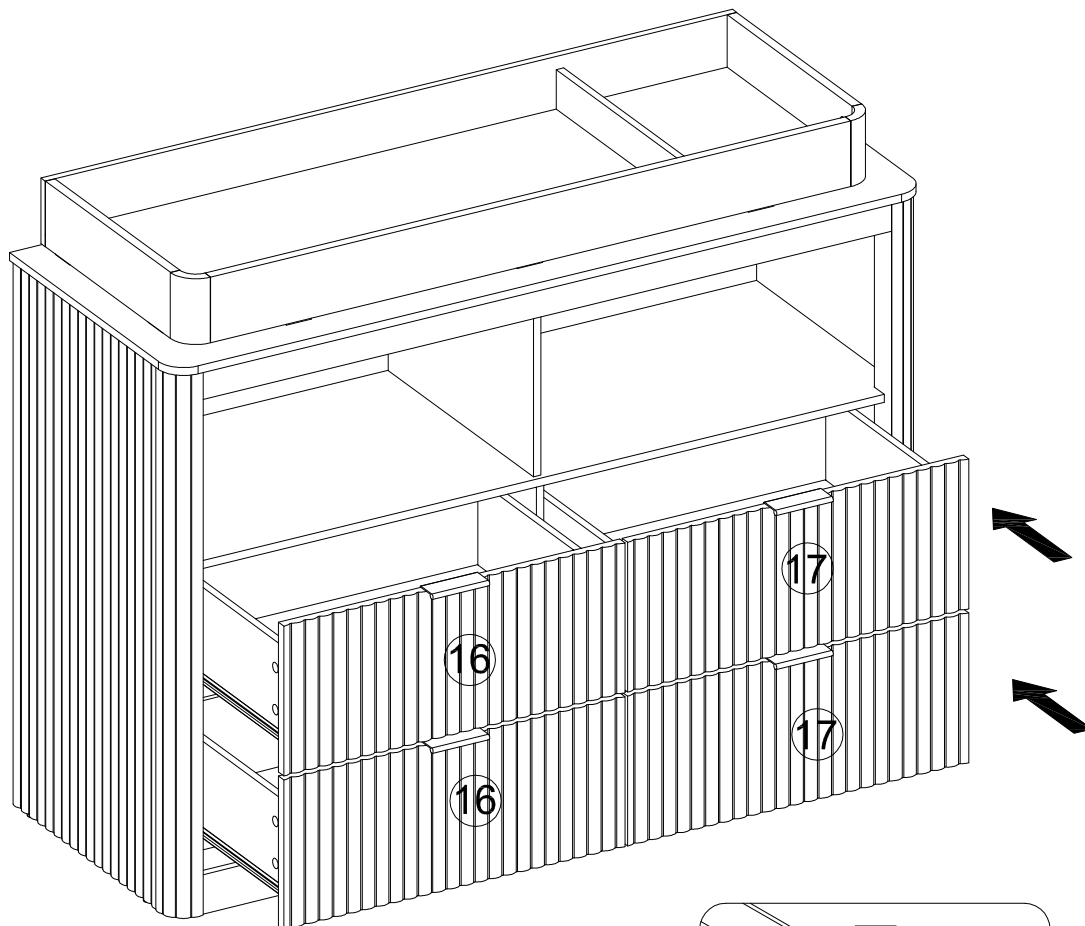
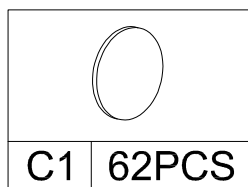
			
B8	2PCS	C4	2PCS

# WARNING

Serious or fatal injuries can occur from furniture tipping over. To prevent the furniture from tipping over we recommend that it is permanently fixed to the wall. Wall anchor and hardware are included with this product. Please make sure hardware is suitable for your walls before installing, as different wall materials may require different types of anchors.



Step 30



· Stick stickers (C1) on cam locks (A2).

Installation Completed