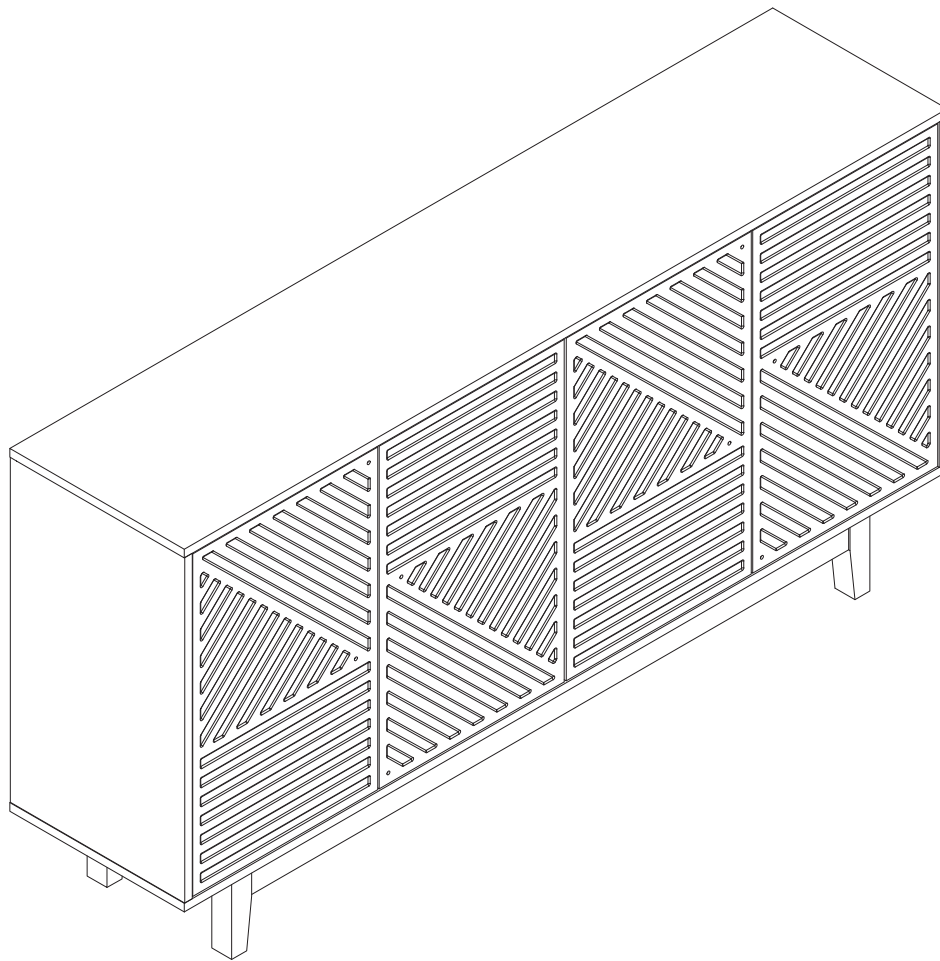


Sideboard Buffet Cabinet

Instruction Manual

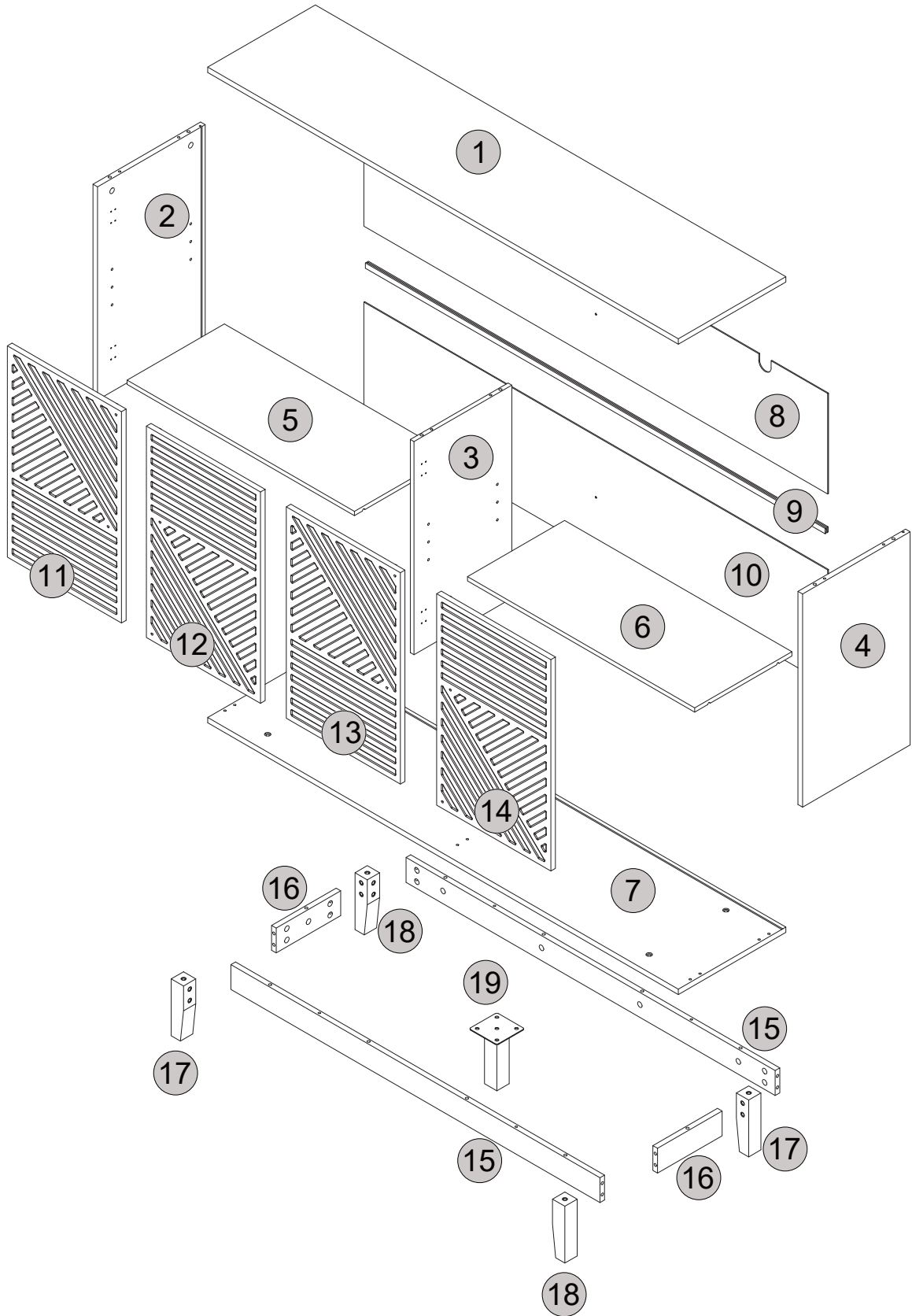
Note: There is also a more detailed installation video on the product detail page on website .



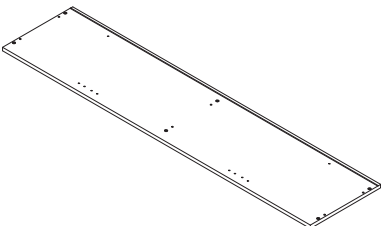
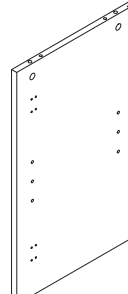
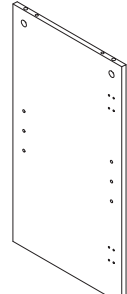
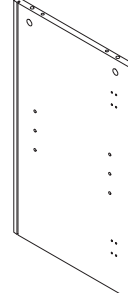
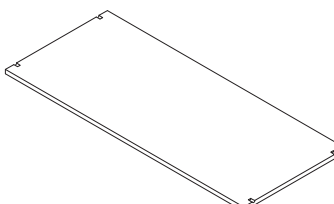
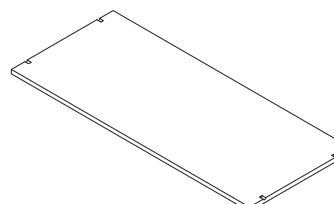
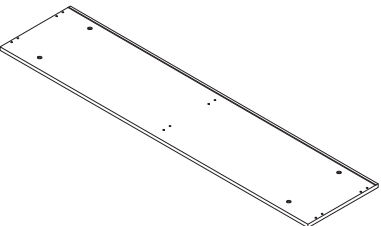
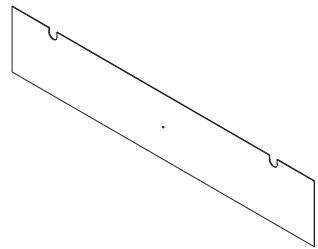
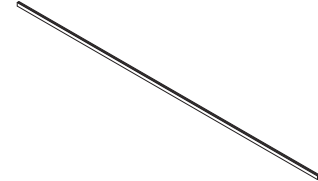
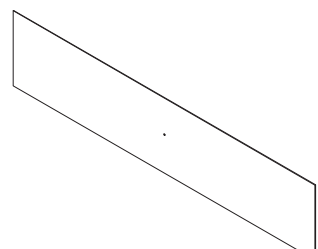
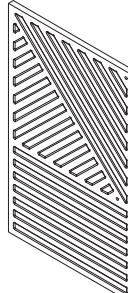


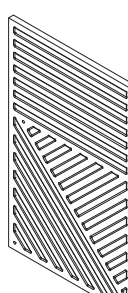
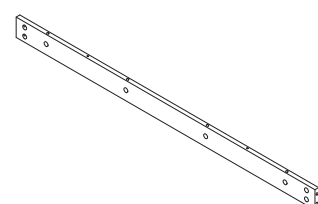
 E-mail: support@flycitymall.com

QR code for installation video

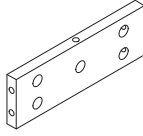


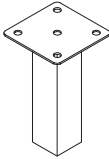

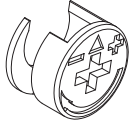
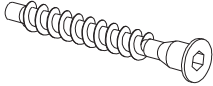
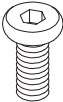
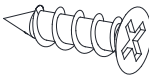
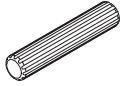
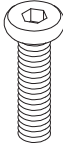
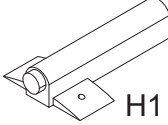


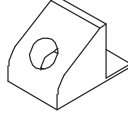
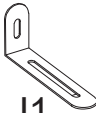
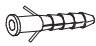

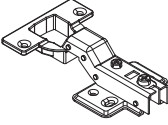
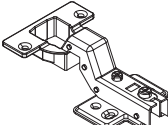
Parts List(EN)





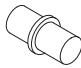
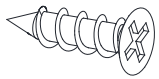
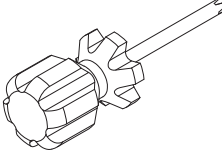
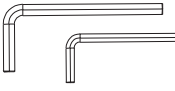
Parts List(EN)

<p>① 1 PC</p> 	<p>② 1 PC</p> 	<p>③ 1 PC</p> 
<p>④ 1 PC</p> 	<p>⑤ 1 PC</p> 	<p>⑥ 1 PC</p> 
<p>⑦ 1 PC</p> 	<p>⑧ 1 PC</p> 	<p>⑨ 1 PC</p> 
<p>⑩ 1 PC</p> 	<p>⑪ 1 PC</p> 	<p>⑫ 1 PC</p> 
<p>⑬ 1 PC</p> 	<p>⑭ 1 PC</p> 	<p>⑮ 2 PCS</p> 

Parts List(EN)

<p>16</p> 	<p>2 PCS</p>	<p>17</p> 	<p>2 PCS</p>	<p>18</p> 	<p>2 PCS</p>			
<p>19</p> 	<p>1 PC</p>							
<p>A</p> 	<p>M6x42 mm</p>	<p>32+2 PCS</p>	<p>B</p> 	<p>Ø15x10 mm</p>	<p>32+2 PCS</p>	<p>C</p> 	<p>M5x40 mm</p>	<p>6+1PCS</p>
<p>D</p> 	<p>M6x12 mm</p>	<p>4 PCS</p>	<p>E</p> 	<p>M3.5x12 mm</p>	<p>48+3 PCS</p>	<p>F</p> 	<p>Ø6x30 mm</p>	<p>16+2PCS</p>
<p>G</p> 	<p>M6x30 mm</p>	<p>4 PCS</p>	<p>H</p>  <p style="margin-left: 100px;">H1</p>  <p style="margin-left: 100px;">H2</p>  <p style="margin-left: 100px;">H3</p>	<p>4 PCS</p>	<p>I</p> 	<p>10+2PCS</p>		
<p>J</p>  <p style="margin-left: 20px;">J1</p>  <p style="margin-left: 20px;">J2</p>  <p style="margin-left: 20px;">J3</p>	<p>2 PCS</p>	<p>K</p> 	<p>4 PCS</p>	<p>L</p> 	<p>4 PCS</p>			

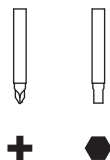
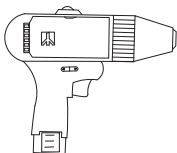
Parts List(EN)

<p style="font-size: 24px; font-weight: bold; margin-bottom: 10px;">M</p> <div style="text-align: center; margin-bottom: 10px;">  </div> <div style="display: flex; justify-content: space-between; margin-top: 10px;"> Ø21mm <div style="border: 1px solid black; padding: 2px 5px;">10+2PCS</div> </div>	<p style="font-size: 24px; font-weight: bold; margin-bottom: 10px;">N</p> <div style="text-align: center; margin-bottom: 10px;">  </div> <div style="display: flex; justify-content: space-between; margin-top: 10px;"> <div style="border: 1px solid black; padding: 2px 5px;">1 PC</div> </div>	<p style="font-size: 24px; font-weight: bold; margin-bottom: 10px;">O</p> <div style="text-align: center; margin-bottom: 10px;">  </div> <div style="display: flex; justify-content: space-between; margin-top: 10px;"> <div style="border: 1px solid black; padding: 2px 5px;">8+1 PCS</div> </div>
<p style="font-size: 24px; font-weight: bold; margin-bottom: 10px;">P</p> <div style="text-align: center; margin-bottom: 10px;">  </div> <div style="display: flex; justify-content: space-between; margin-top: 10px;"> M3.5x14 mm <div style="border: 1px solid black; padding: 2px 5px;">22+2PCS</div> </div>	<p style="font-size: 24px; font-weight: bold; margin-bottom: 10px;">Q</p> <div style="display: flex; justify-content: space-around; align-items: center; margin-bottom: 10px;"> <div style="text-align: center;">  </div> <div style="text-align: center;">  <p style="font-size: 12px;">M4 M3</p> </div> </div> <div style="display: flex; justify-content: space-between; margin-top: 10px;"> <div style="border: 1px solid black; padding: 2px 5px;">1 PC</div> </div>	



MATTERS NEEDING ATTENTION

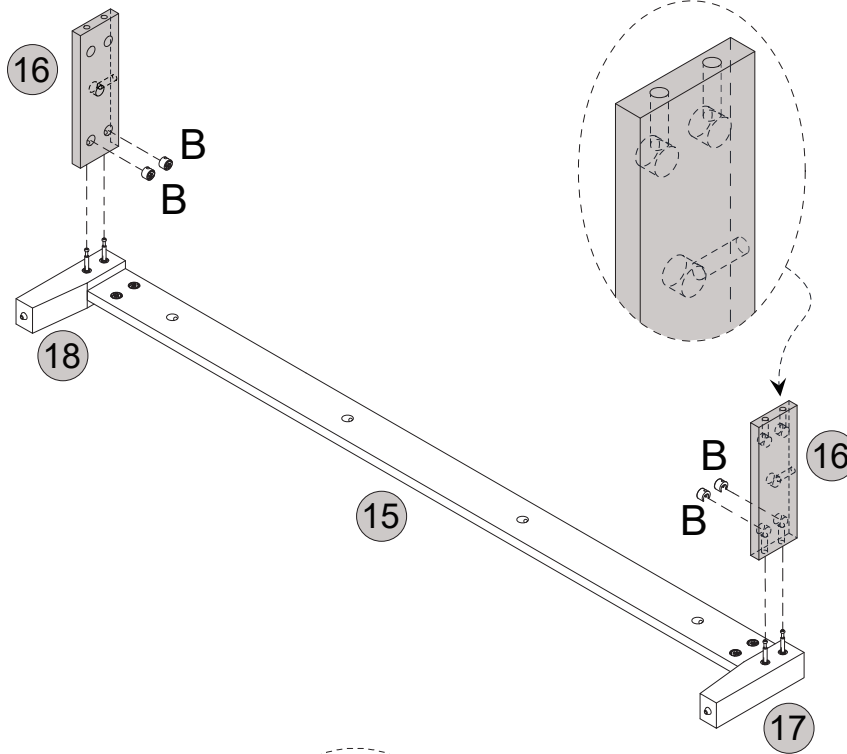
1. You need an assistant to complete the installation.
2. Before all parts are in place, do not over-tighten the screw.
3. In order to avoid giving you a bad installation experience, please follow the following steps in the installation instructions, and carefully distinguish between screws and boards.
4. To avoid choking hazards, please keep small parts and packaging materials away from children.
5. Adult assembly is required. Keep away from children during installation.
6. After the installation is completed, you can use cotton cloth to clean the board.
7. If you have any questions, please contact us, our email address is on the cover.



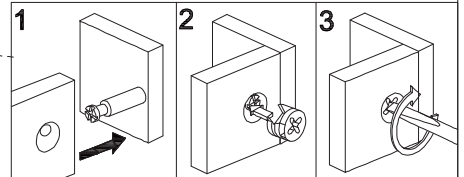
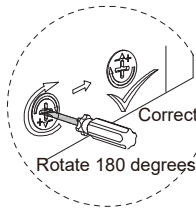
Warning: Use medium to low speed when installing screws to prevent damage to the furniture!

Assembly Steps(EN)

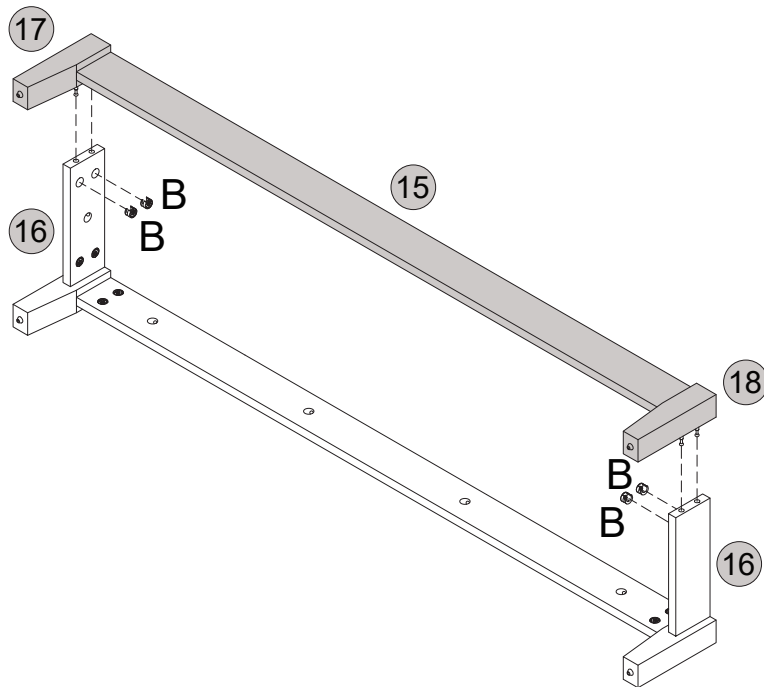
STEP 3



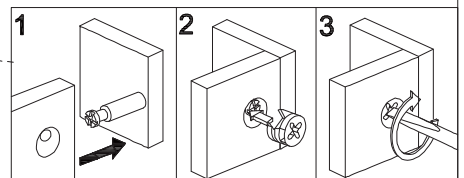
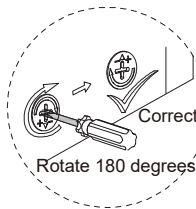
B x 4PCS



STEP 4

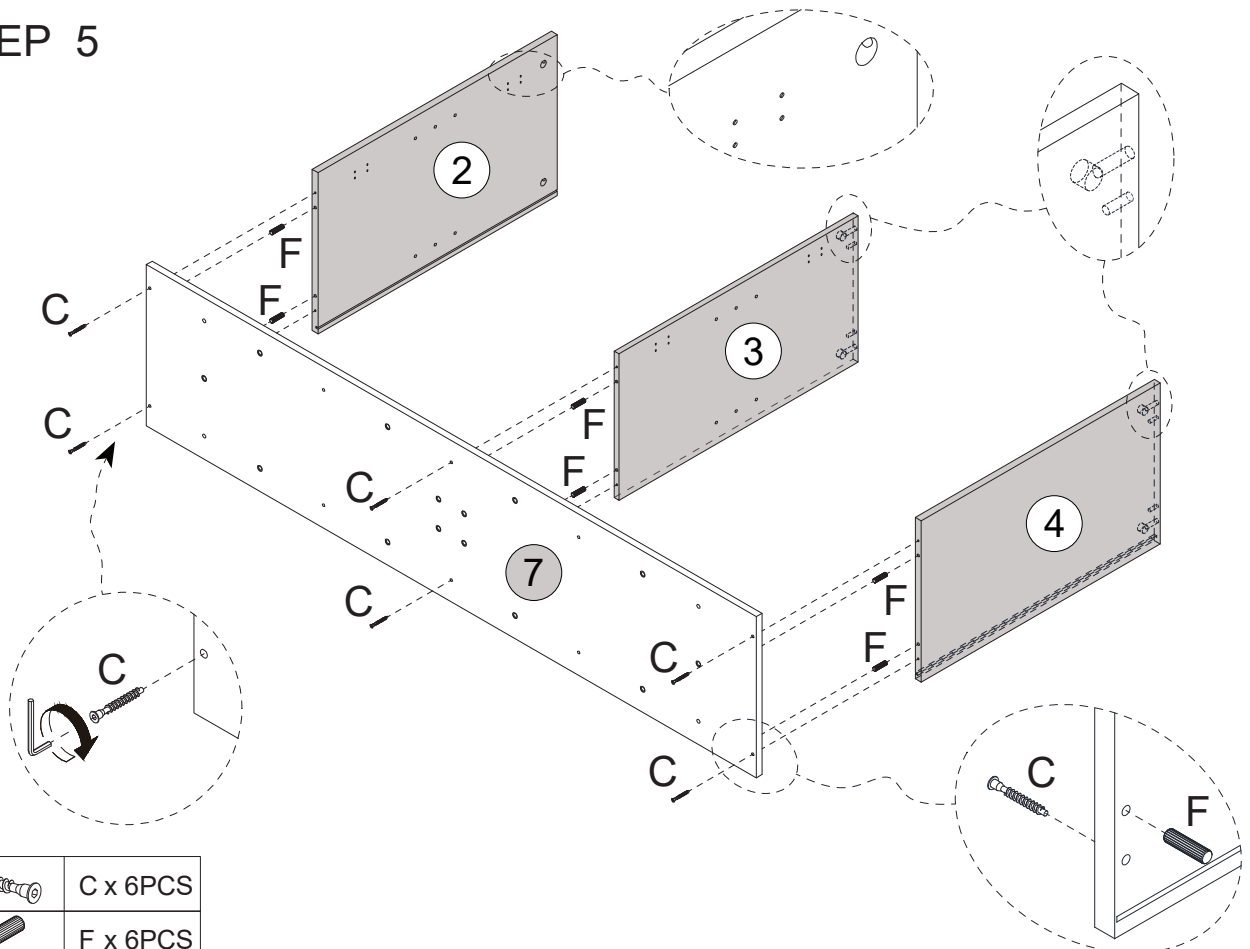


B x 4PCS

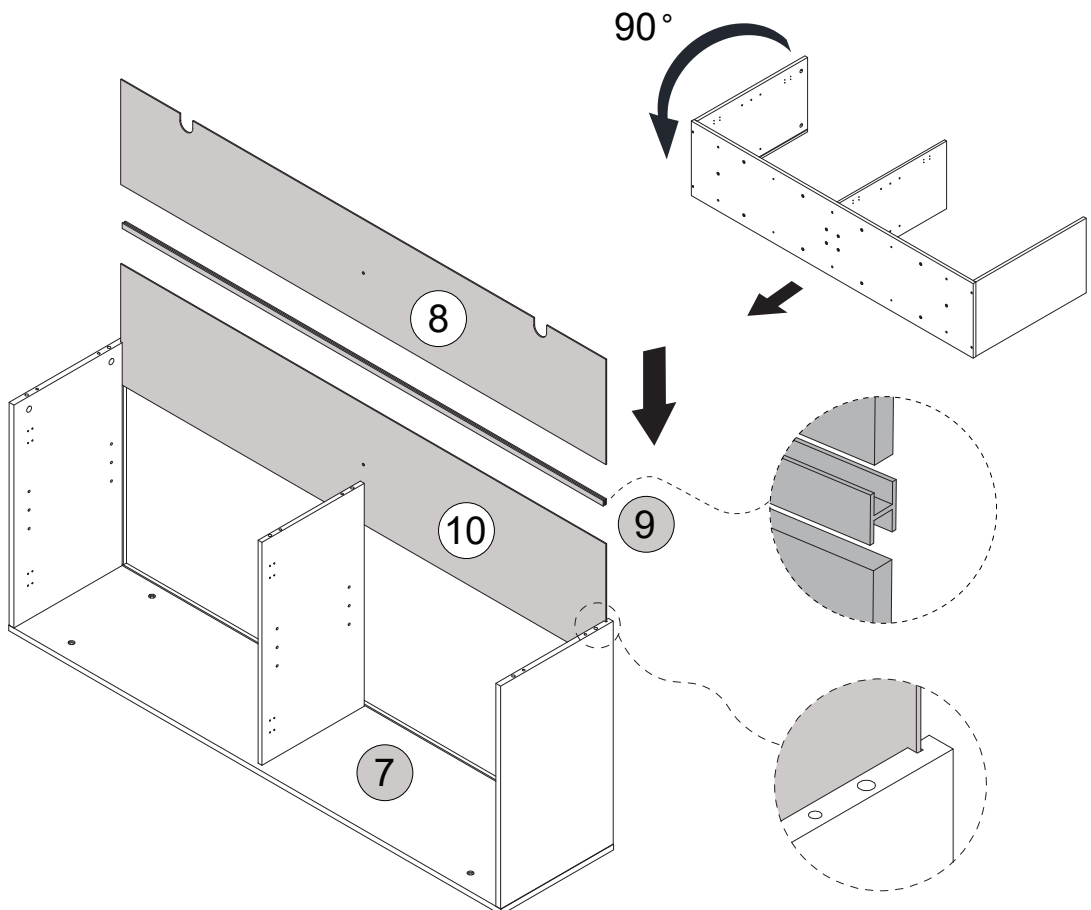


Assembly Steps(EN)

STEP 5

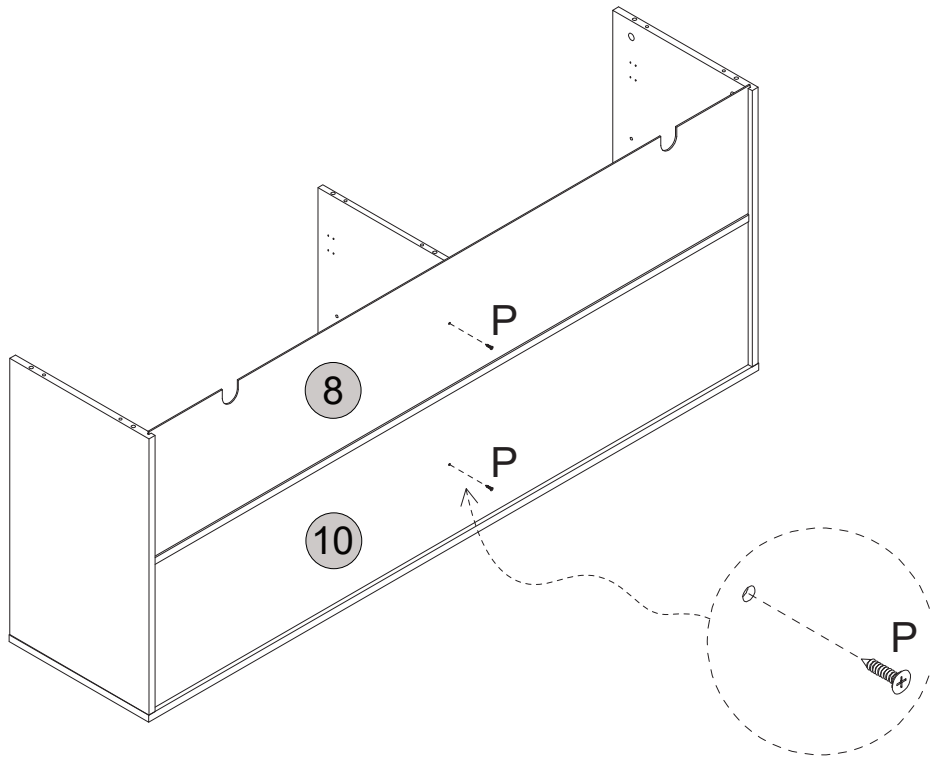


STEP 6



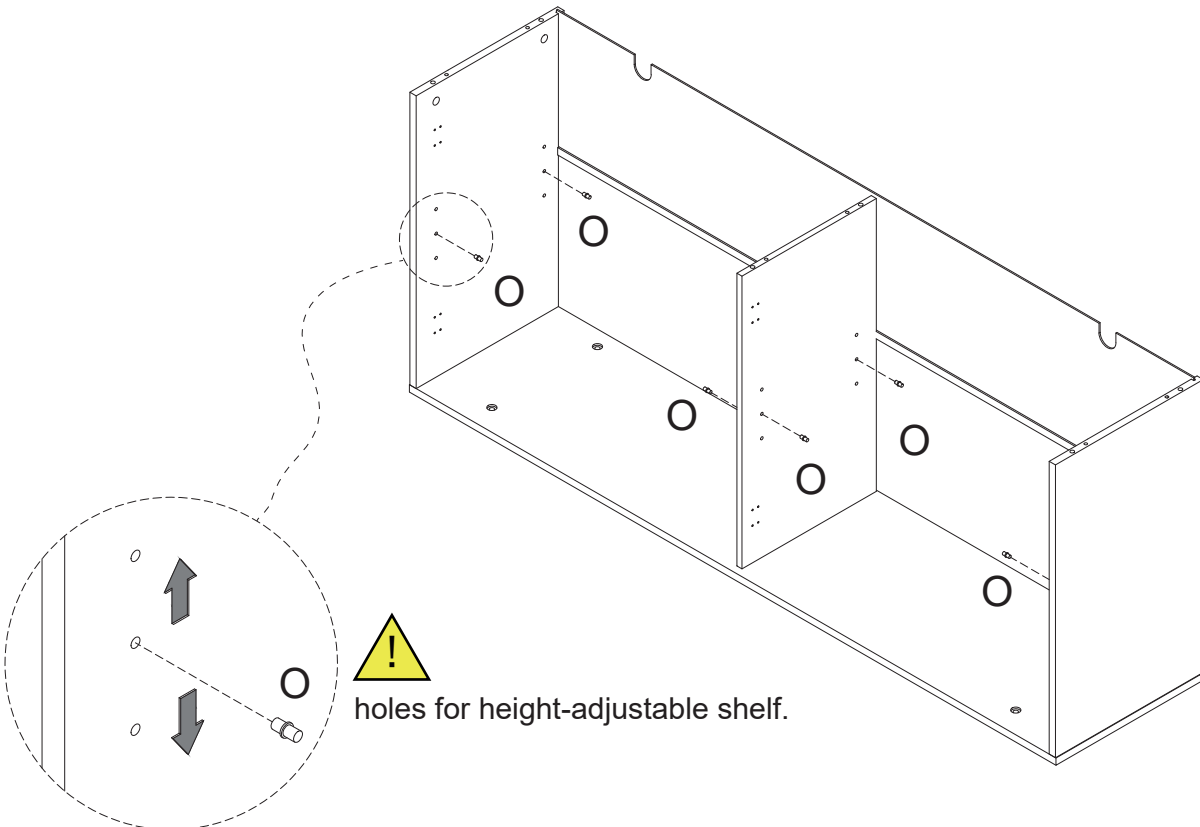
Assembly Steps(EN)

STEP 7



P x 2PCS

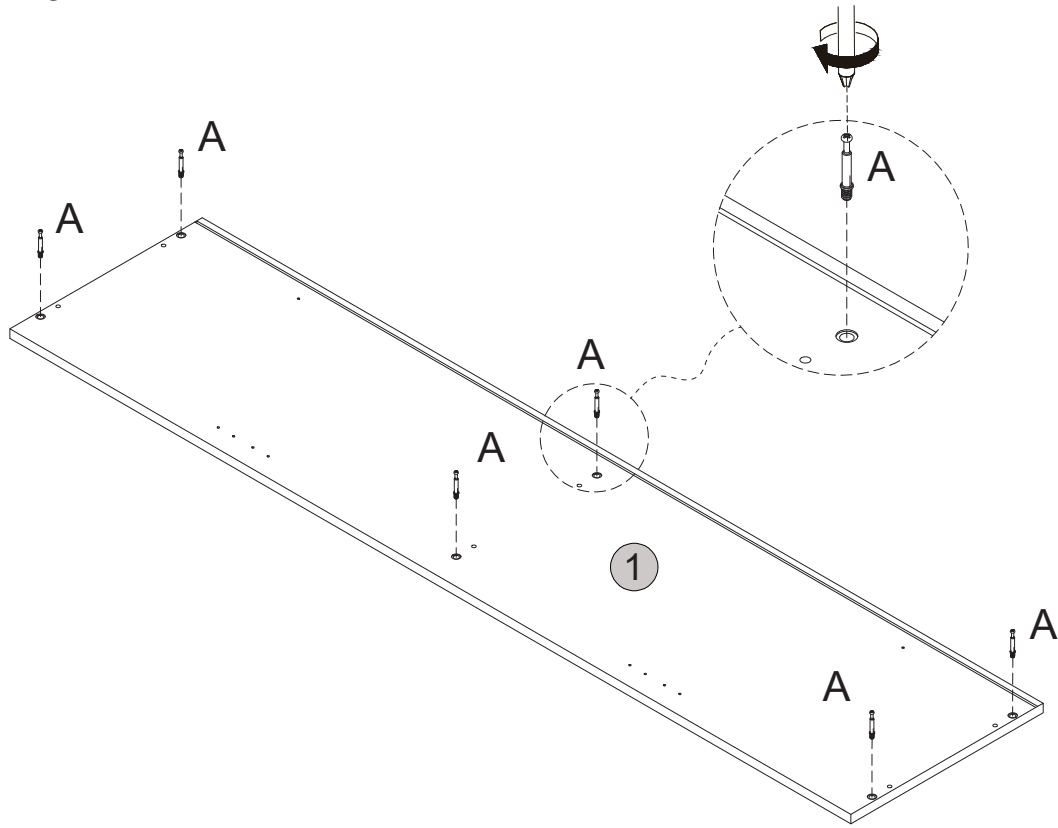
STEP 8



O x 8PCS

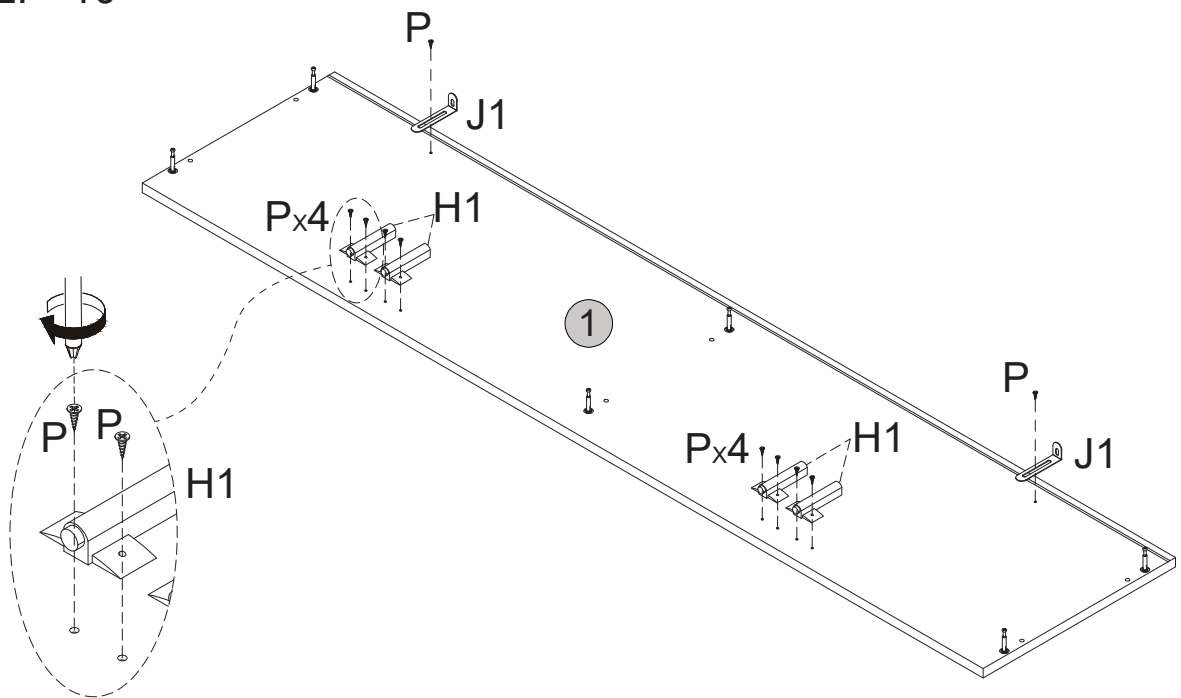
Assembly Steps(EN)




STEP 9



	A x 6PCS
---	----------

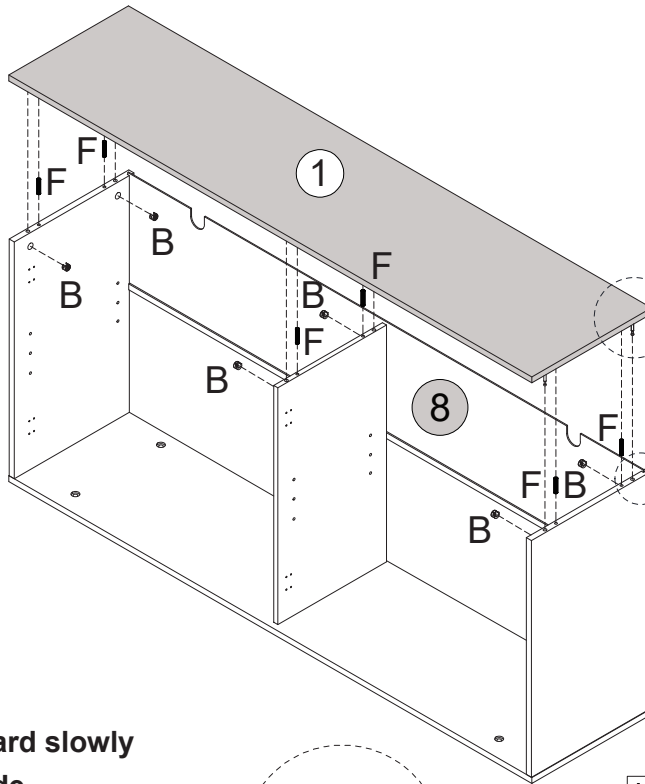
STEP 10



	H1x 4PCS
	J1 x 2PCS
	P x 10PCS

Assembly Steps(EN)

STEP 11

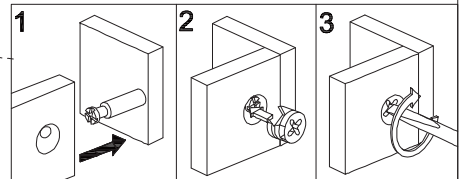
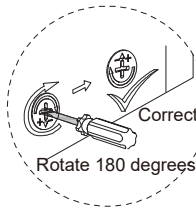


The groove should align with piece 8

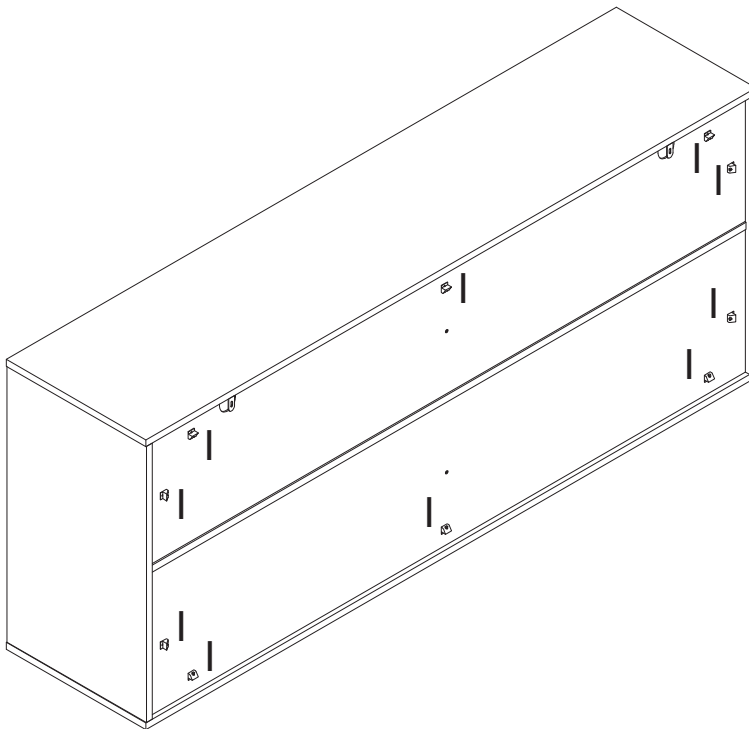


Please put the board slowly down from one side.

	F x 6PCS
	B x 6PCS



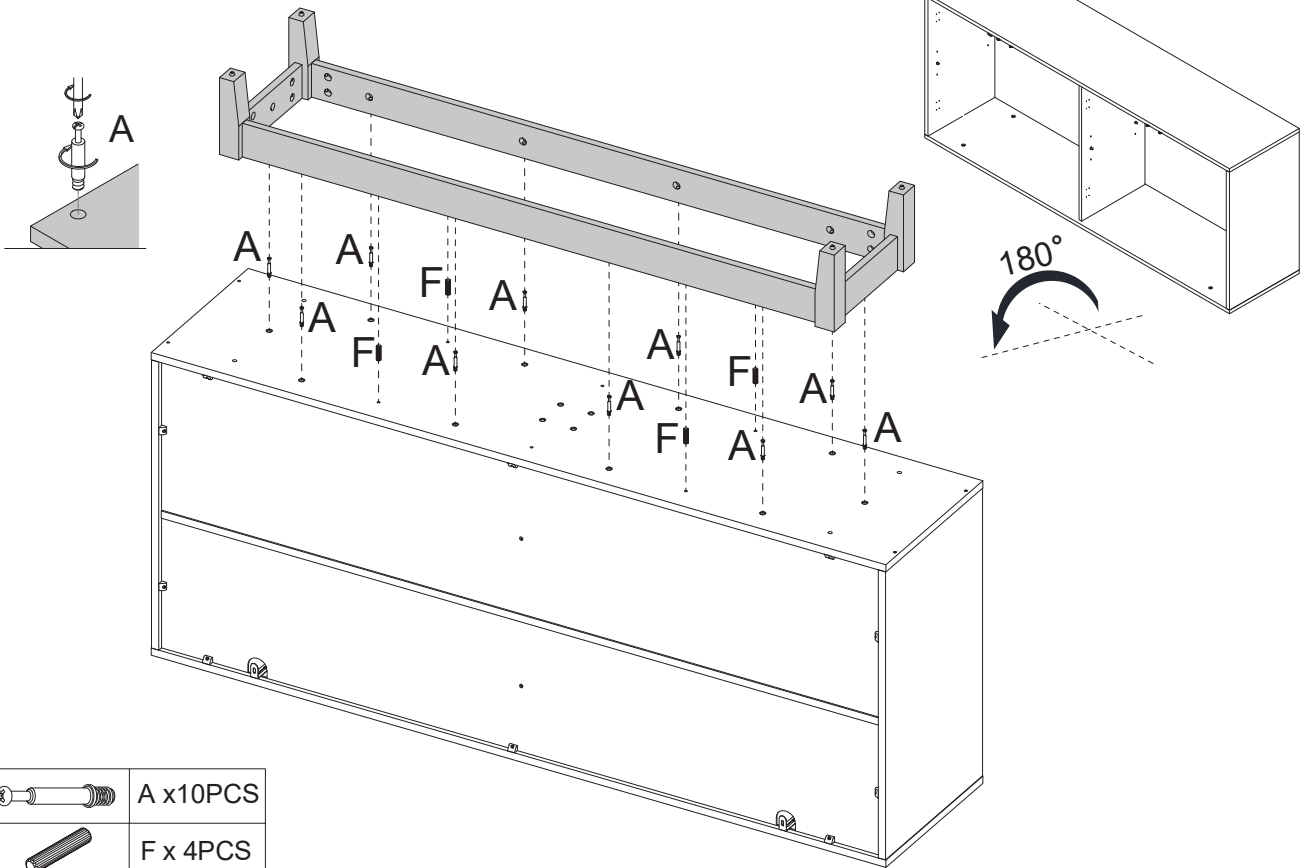
STEP 12

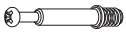



	I x 10PCS
	P x 10PCS

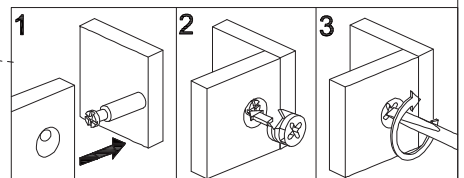
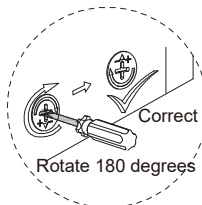
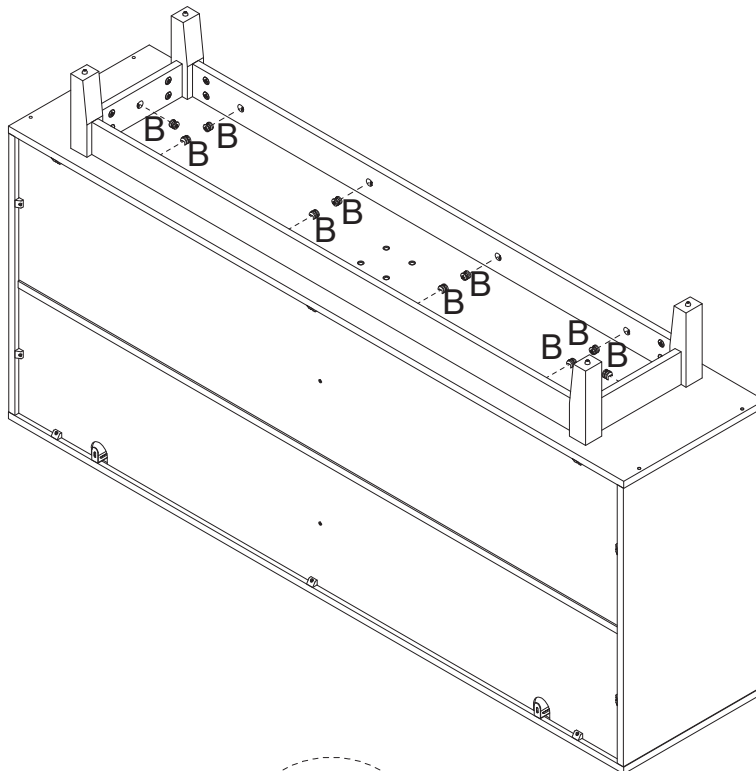
Assembly Steps(EN)

STEP 13



	A x10PCS
	F x 4PCS

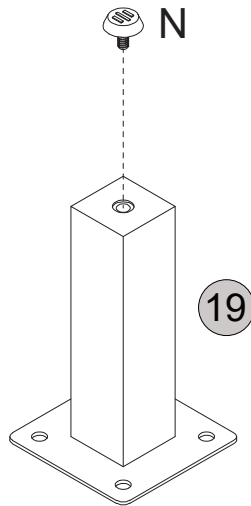
STEP 14



	B x10PCS
---	----------

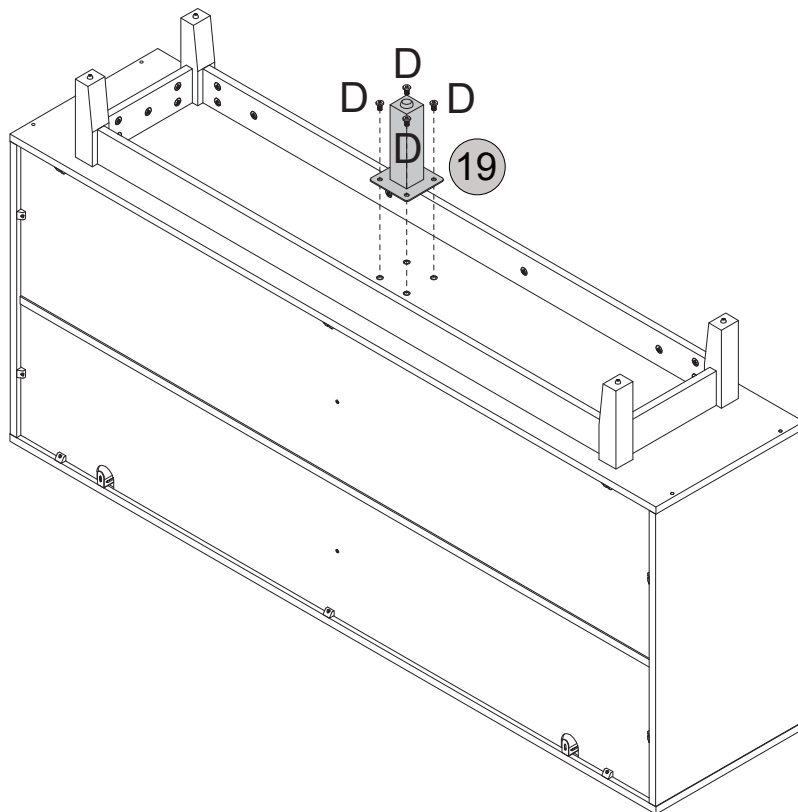
Assembly Steps(EN)

STEP 15



N x 1PC

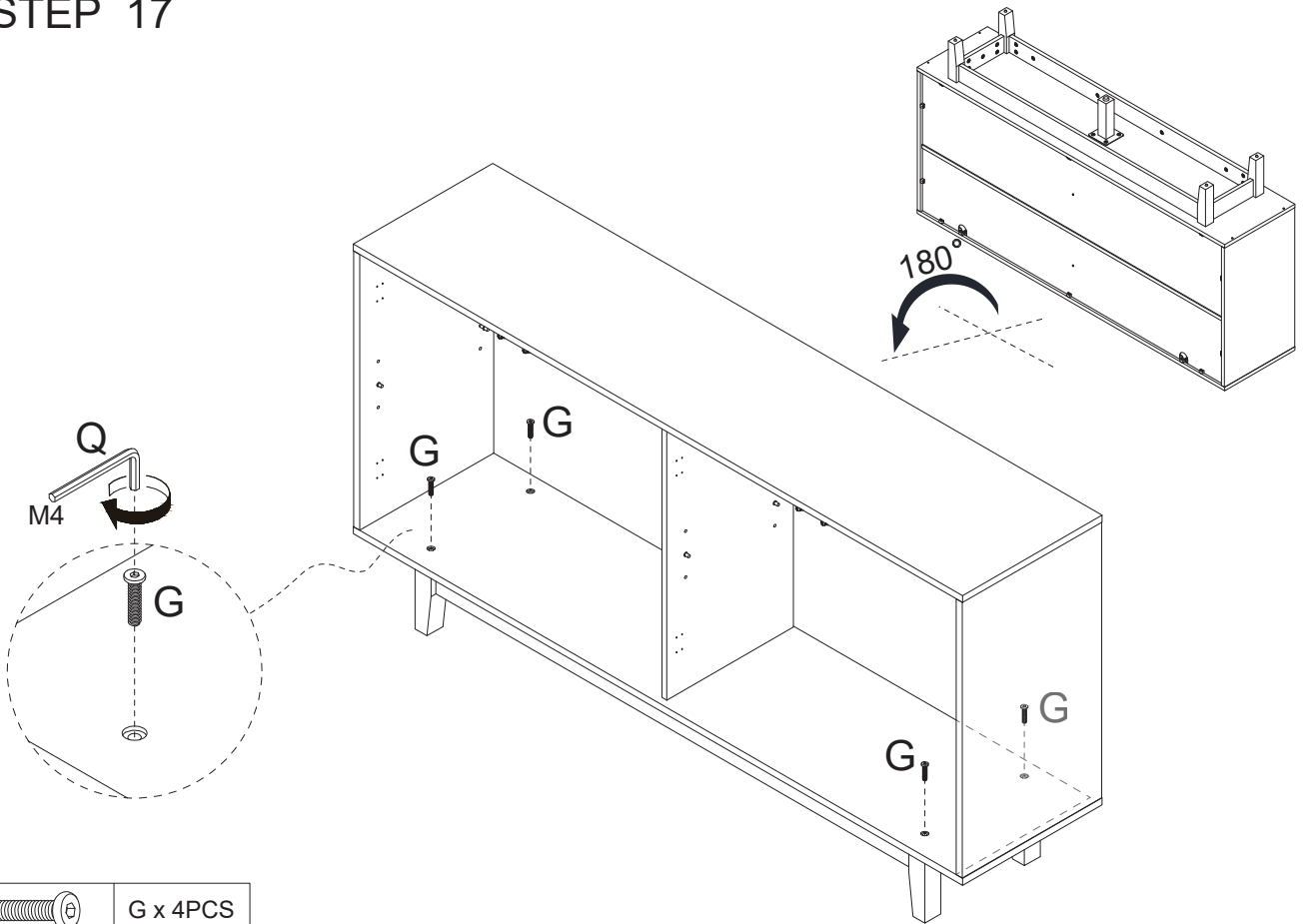
STEP 16



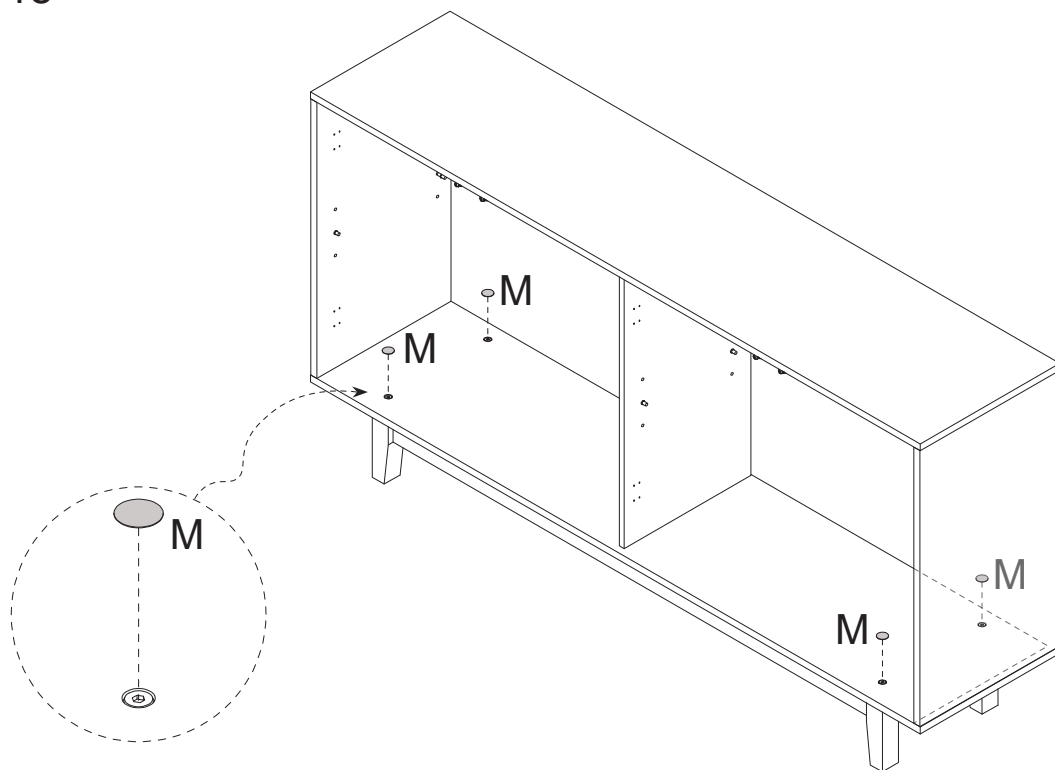
D x 4PCS

Assembly Steps(EN)

STEP 17

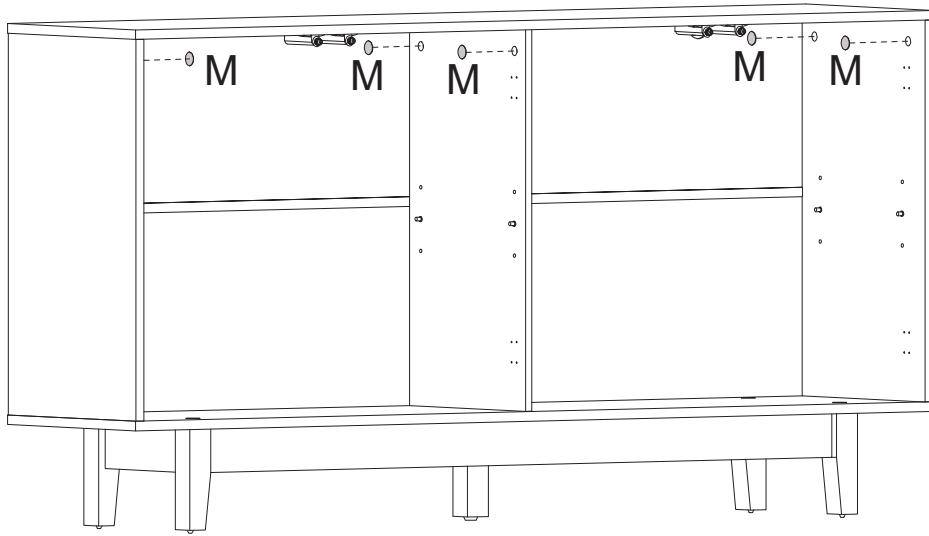


STEP 18



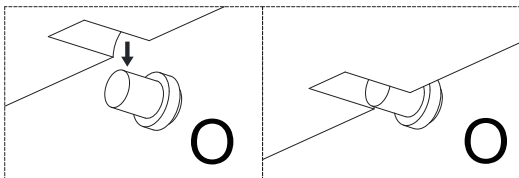
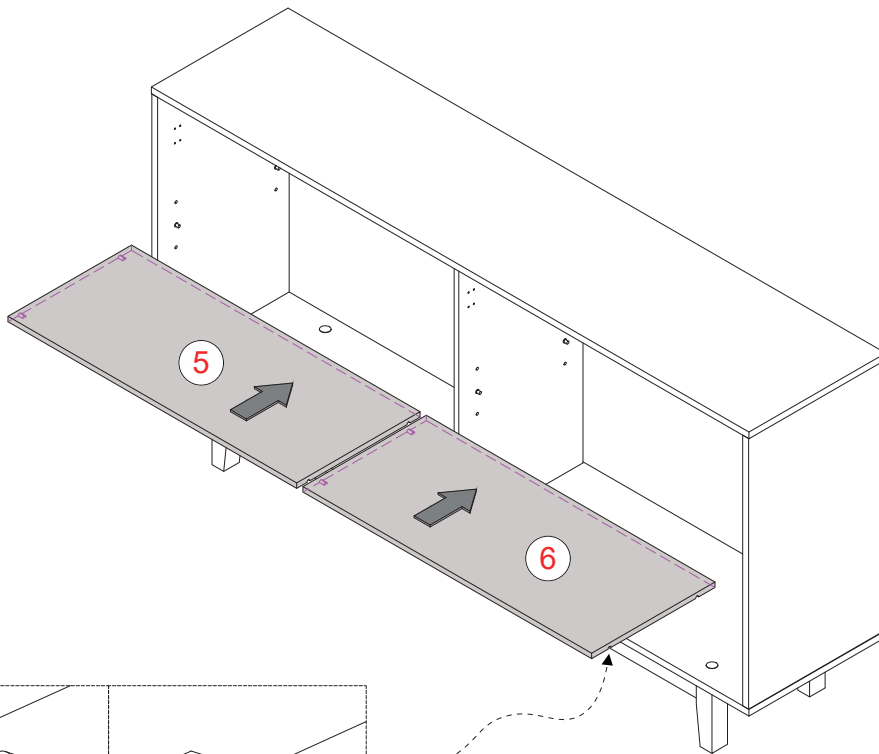
Assembly Steps(EN)

STEP 19



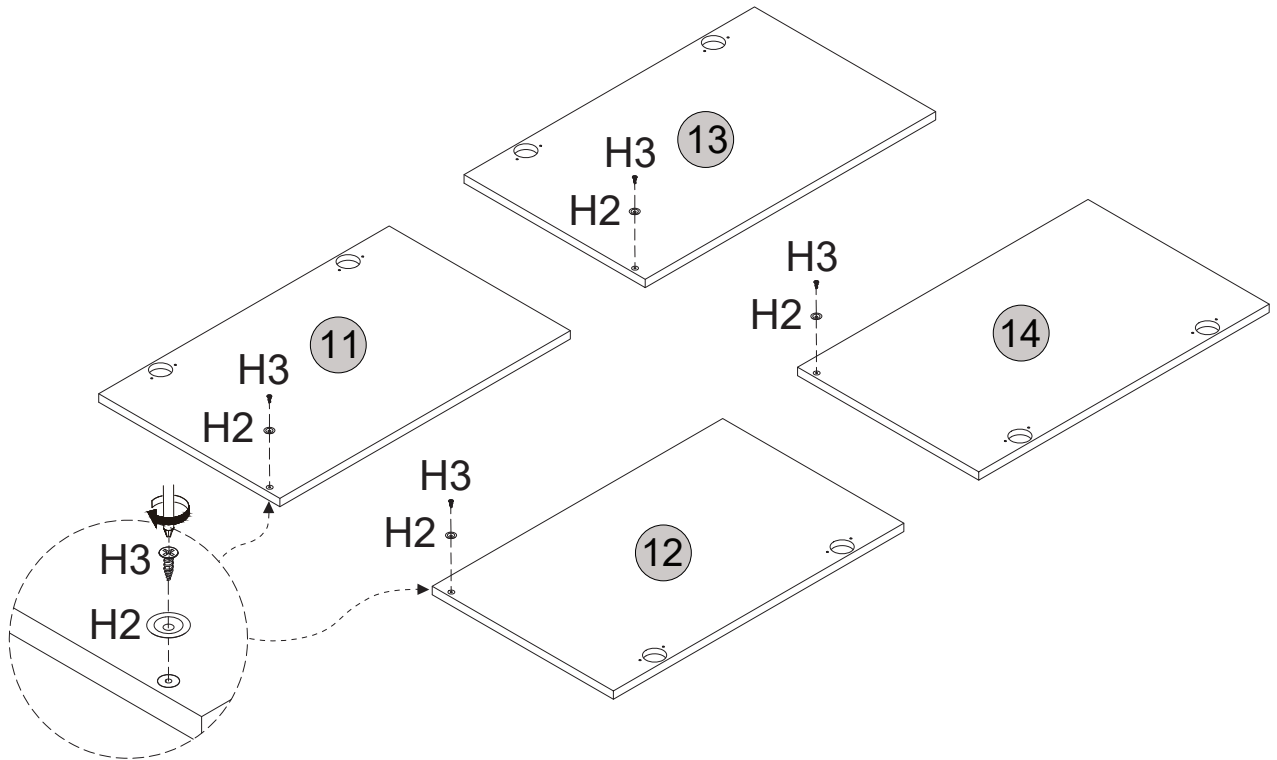
M x 6PCS



STEP 20



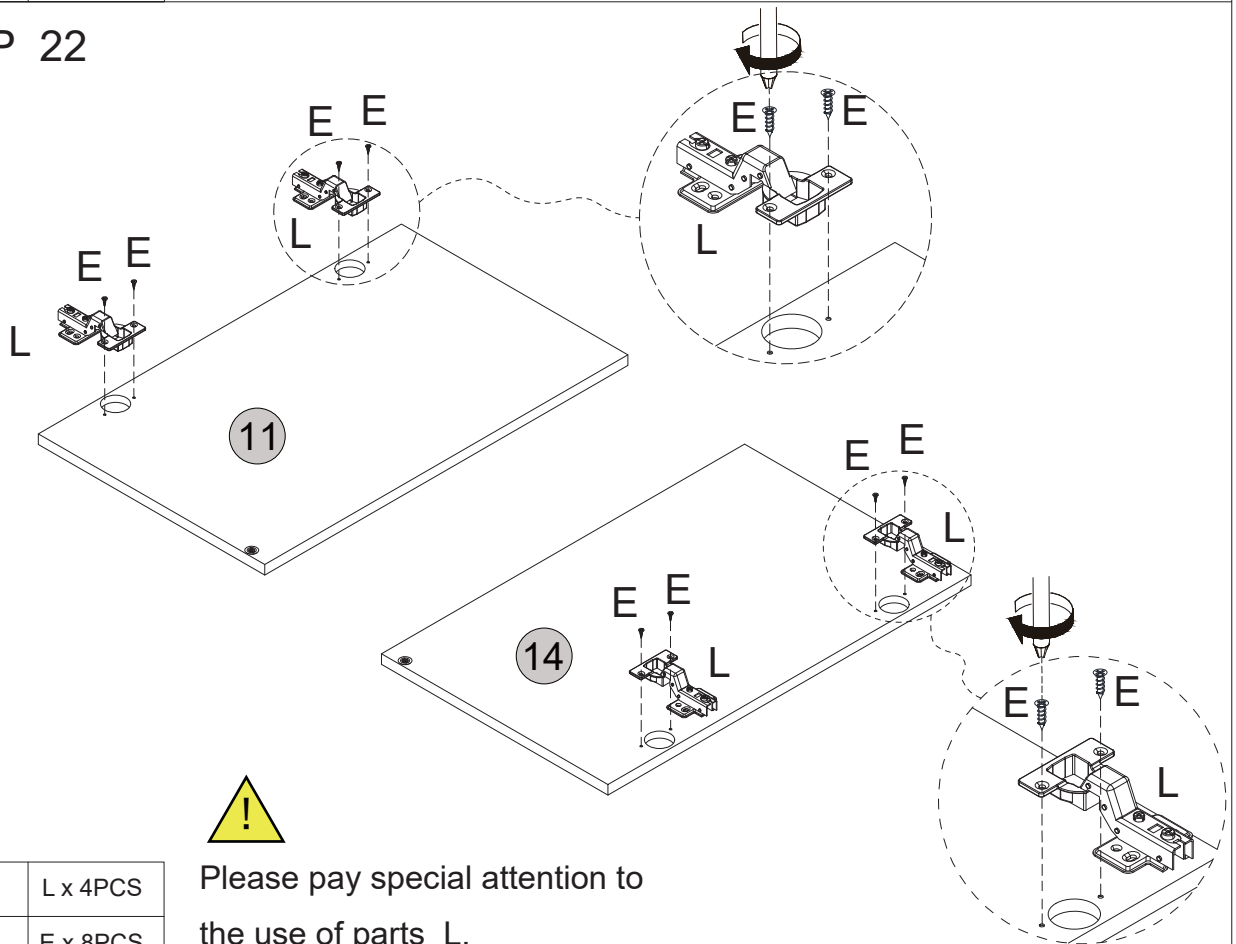
Assembly Steps(EN)

STEP 21





	H2 x 4PCS
	H3 x 4PCS

STEP 22

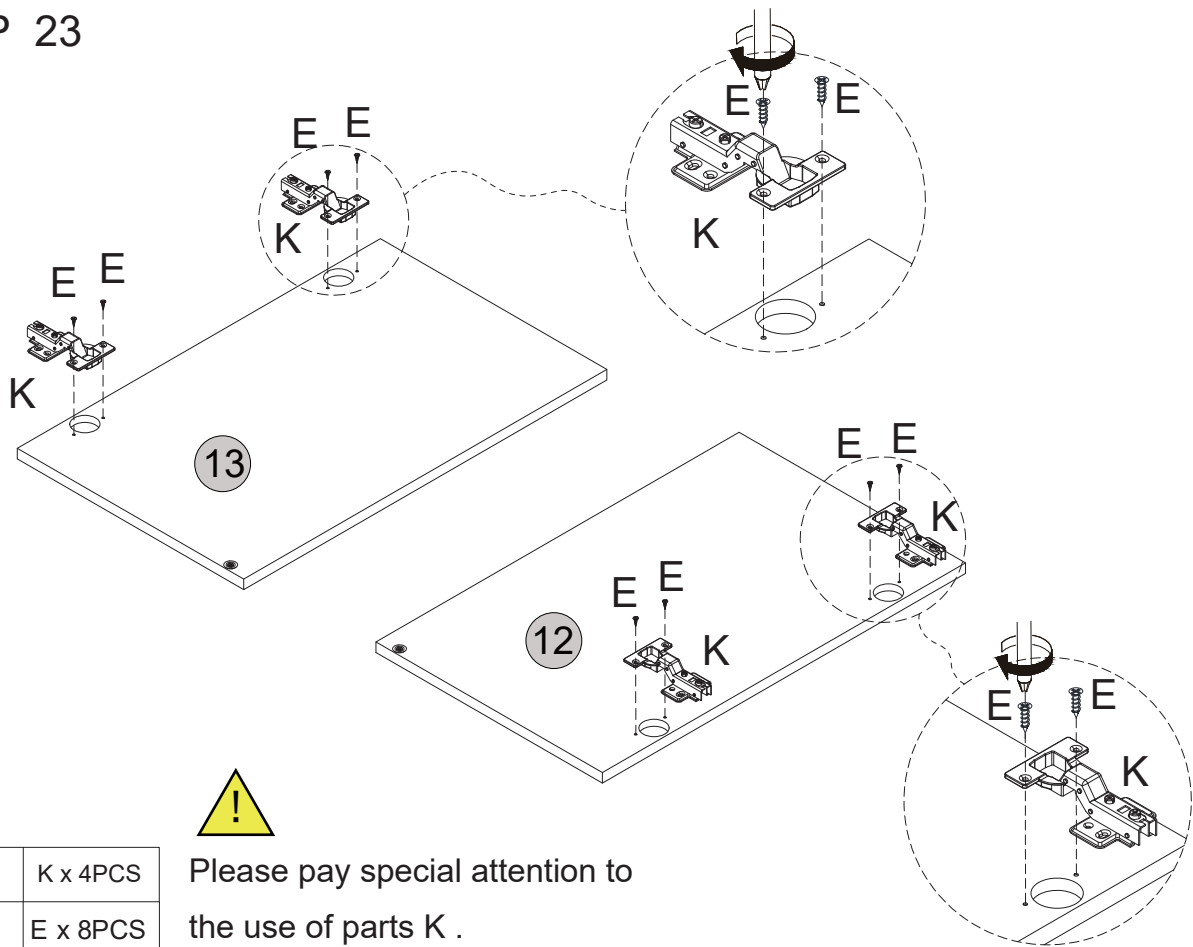


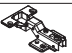

Please pay special attention to the use of parts L.

	L x 4PCS
	E x 8PCS

Assembly Steps(EN)

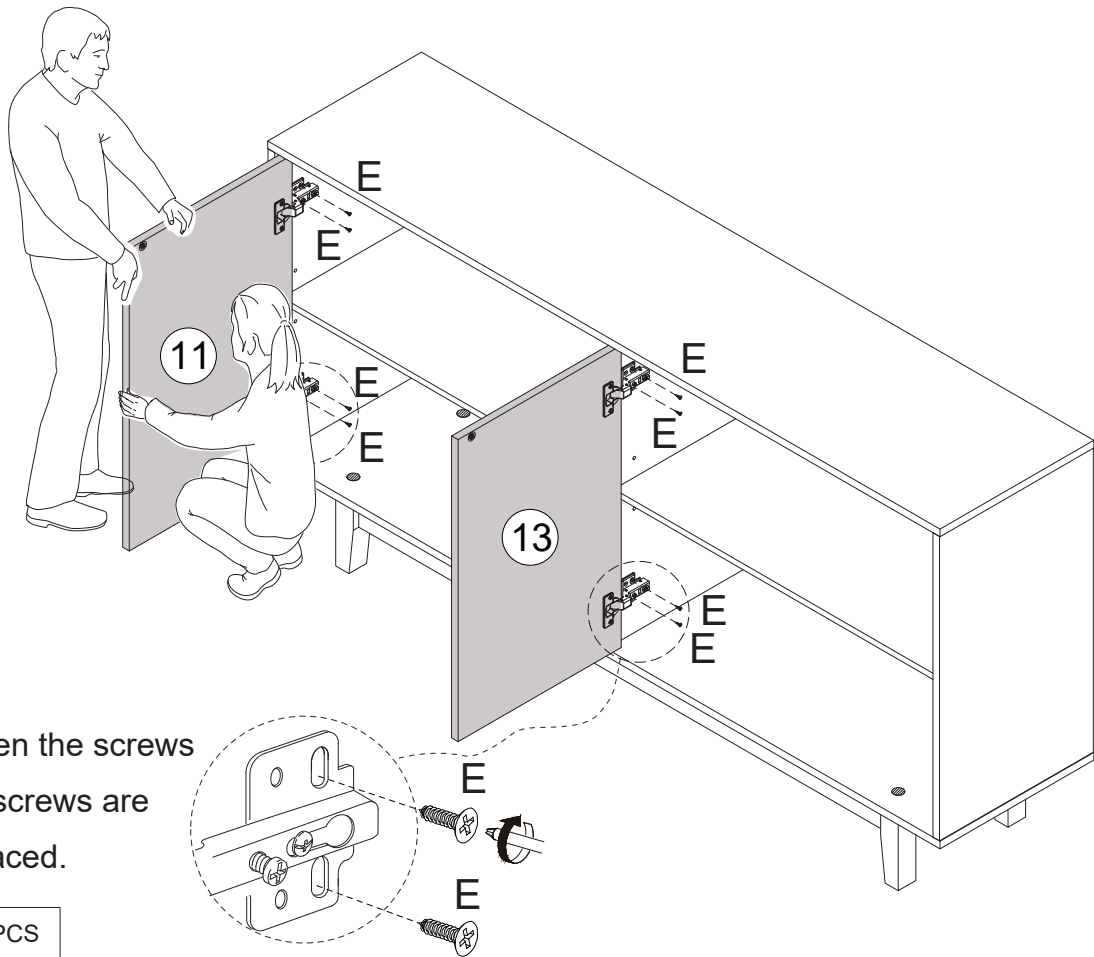
STEP 23



	K x 4PCS
	E x 8PCS

Please pay special attention to the use of parts K .

STEP 24

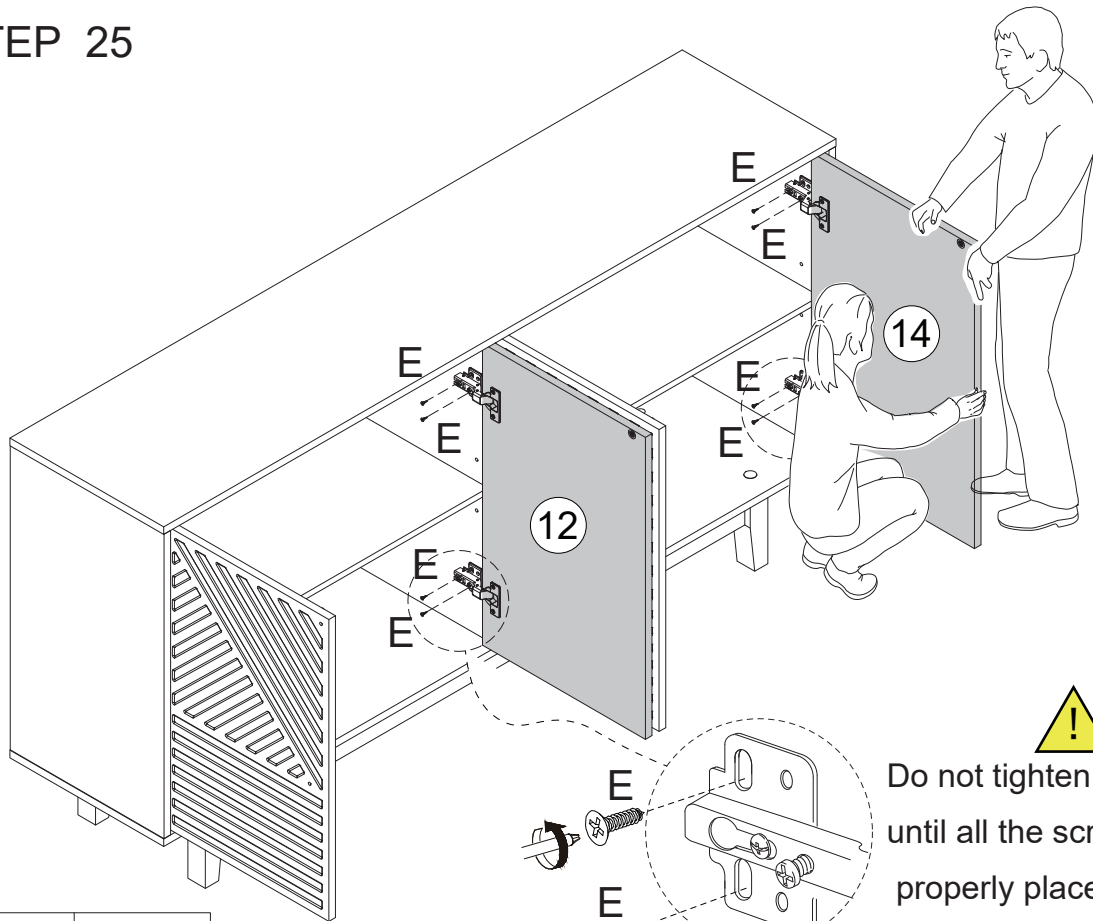


Do not tighten the screws until all the screws are properly placed.

	E x 8PCS
---	----------

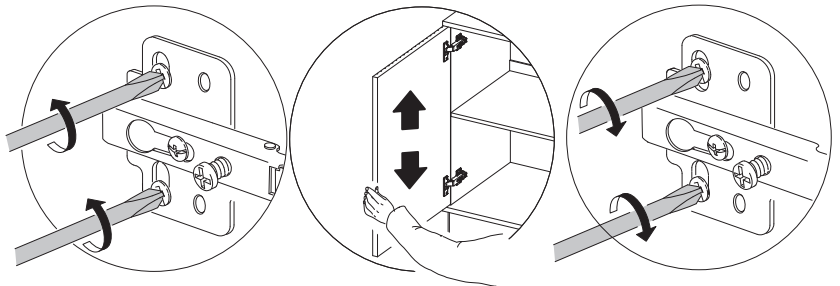
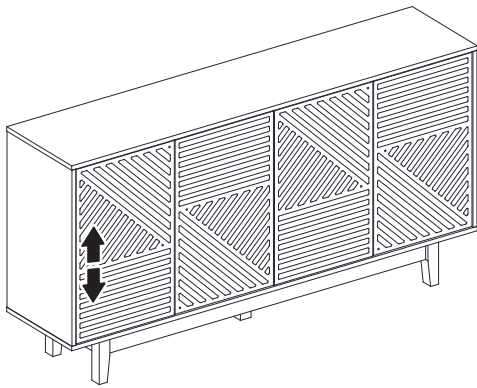
Assembly Steps(EN)

STEP 25

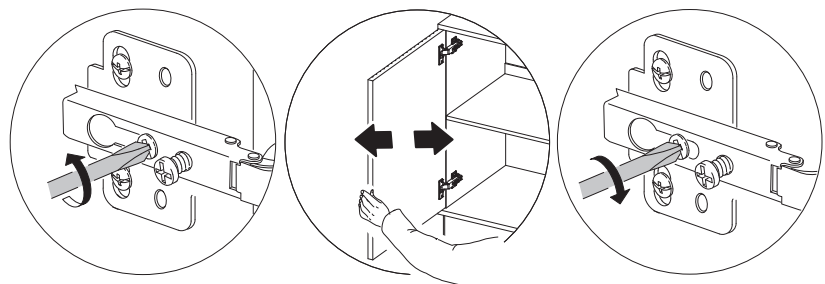
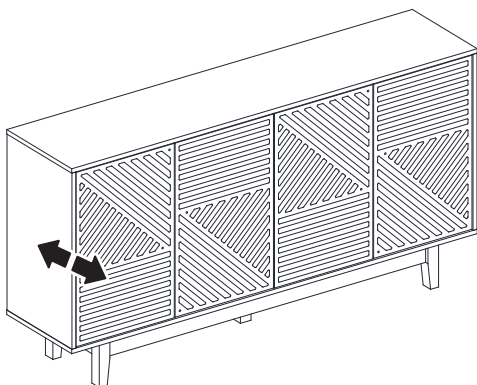


E x 8PCS

STEP 26



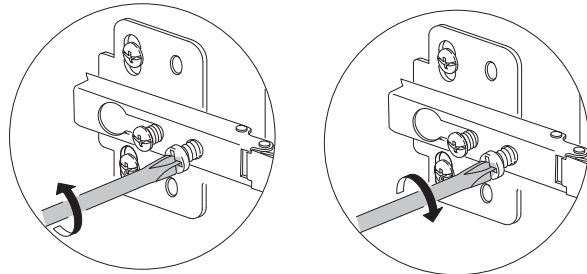
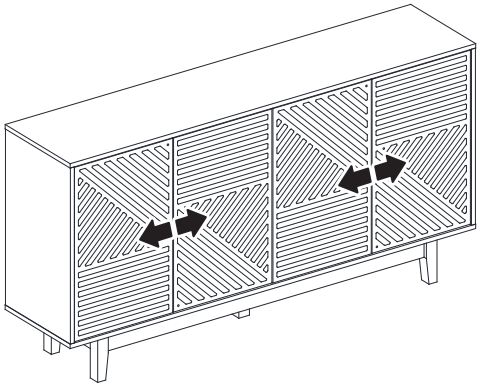
Adjust door vertically



Adjust door depth

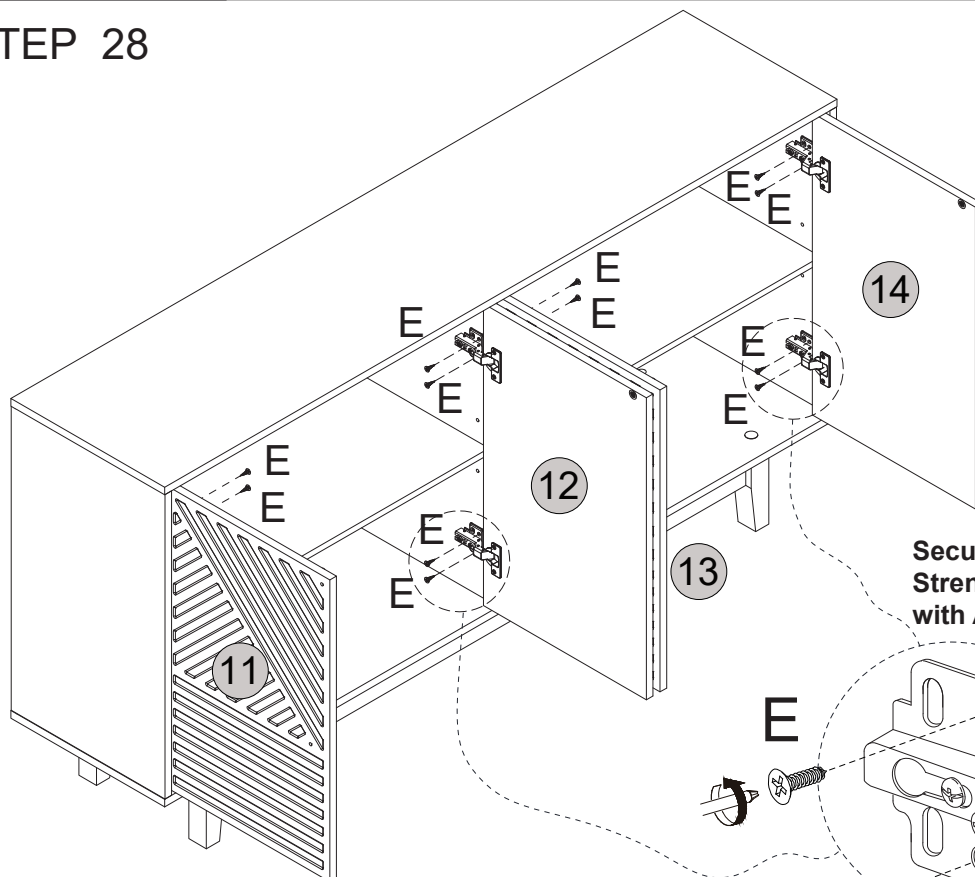
Assembly Steps(EN)

STEP 27



Adjust door horizontally

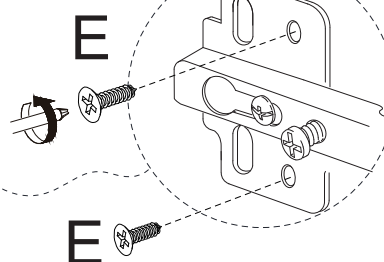
STEP 28



Secure the Door:
Strengthening the Structure
with Additional Screws.

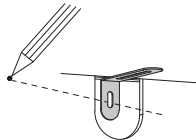
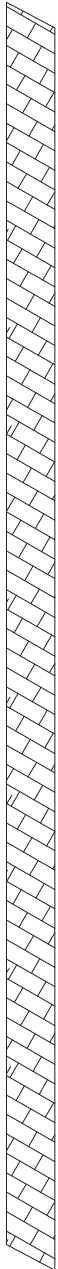


E x 16PCS

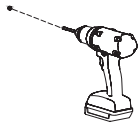


Assembly Steps(EN)

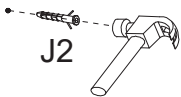
STEP 29



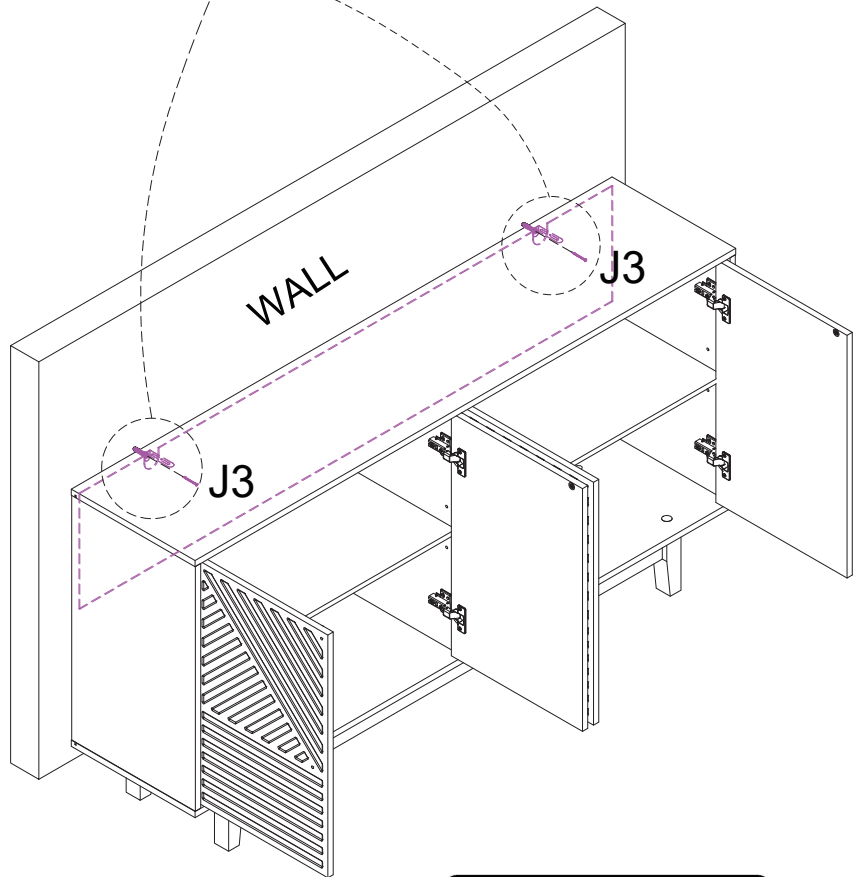
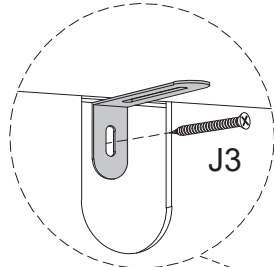
Step 1: mark the hole locations on the wall.





Step 2: drilling hole.



Step 3: drive **J2** into the wall.



Attention: For safety and stability, we suggest you secure the anti-tip accessories to the wall to prevent tipping, injury, and property damage.

	J2 x 2PCS
	J3 x 2PCS

Made in China

