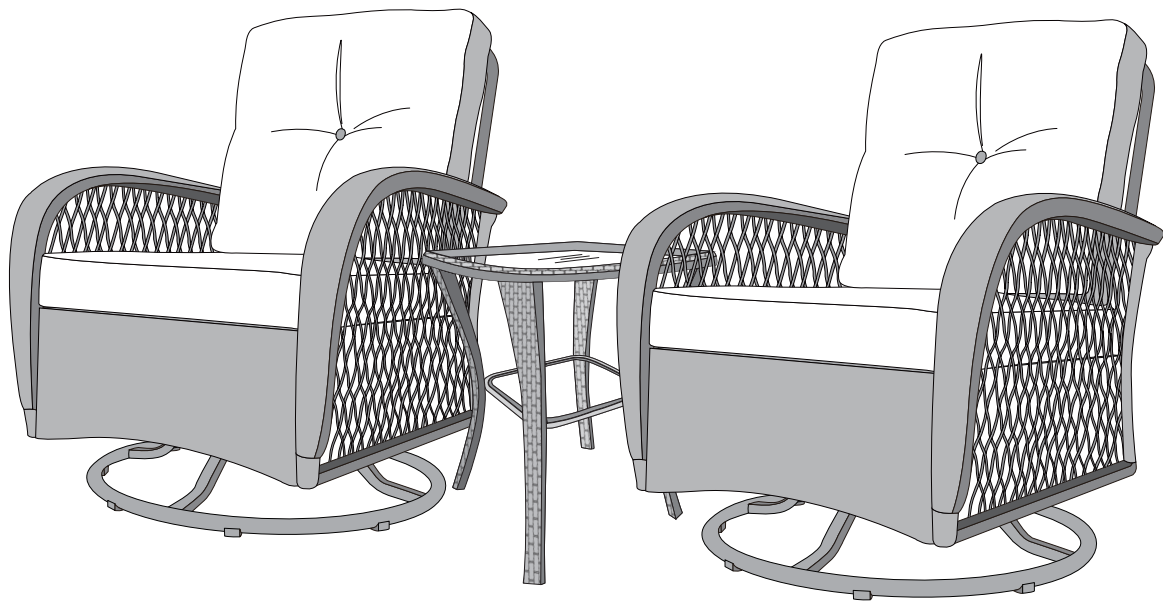


# Courtyard Patio Furniture & Accessories

Patio Furniture sets—Conversation sets  
Coffee Table



# **CUSTOMER SUPPORT**

---

**Dear customer**

**Thank you for your purchase.**

This product is a non-permanent outdoor structure designed and manufactured for personal use rather than commercial use.

Please confirm whether the installation is permitted in your states firstly.

1. When you receive the product, please make sure that all the boxes have arrived, and all the parts are intact.
2. Please browse the entire installation manual before assembling, retain this instruction manual for future reference.
3. If any problem occurs unsatisfactorily as follows:
  - Lack of boxes, or some boxes are not arrived.
  - The outer box is damaged.
  - The product is damaged / bent / cracked while you open the box.
  - The parts / accessories / assembly tools are missing.
  - The product is hard to assemble.
  - The instructions are not clear, or hoping for assistance with installation.
  - The product has functional problems.
  - The product did not meet your expectations.
  - Other aspects that you are not satisfied with.

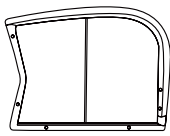
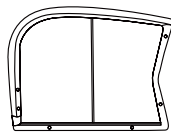
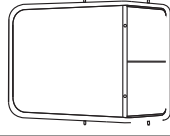
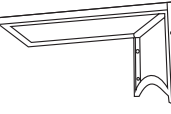
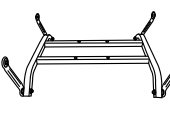
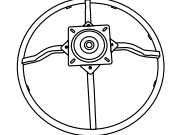
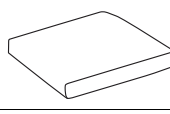
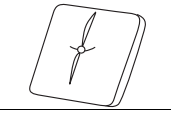




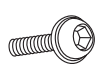
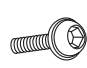
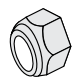

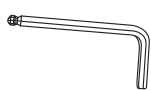
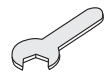
Please feel free to contact us for help firstly. If there is any damage, please send us clear photos. We will check and do our best to provide the best solution for you. The missing or damaged parts will be delivered to you within 5 days.

**DO NOT RETURN YOUR UNIT TO THE STORE  
CONTACT US FIRST**

# PARTS

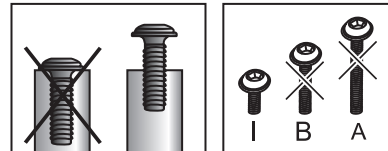
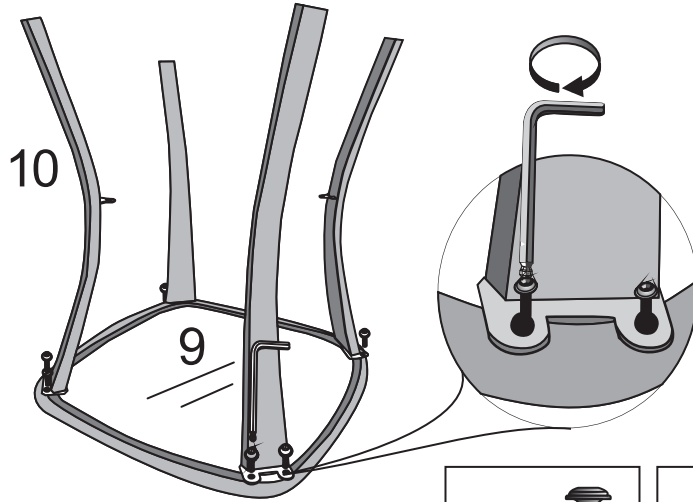
1. Please ensure that all parts, accessories and installation tools are complete before starting the installation.
2. Due to the variety of accessories, some parts may be glued together, some parts may be trapped inside the larger ones, please check carefully.
3. In case you cannot find or lose some small parts or screws during installation, we have provided extra parts.
4. If any accessories are missing or damaged, please contact us immediately.

## CARTON:

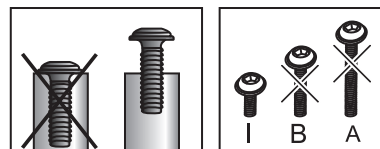
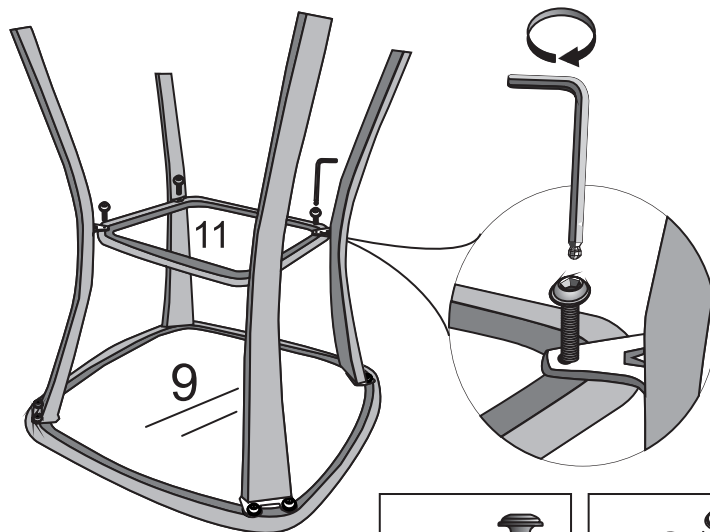
NO.	Image	Qty	Part	NO.	Image	Qty	Part
1		2	Left Arm	2		2	Right Arm
3		2	Chair Back	4		2	Seat Panel
5		2	Swing Bracket	6		2	Chair Base
7		2	Seat Cushion	8		2	Back Cushion
9		1	Glass Table Top	10		4	Table Leg
11		1	Lower Shelf				
A		24	Screw (6x40mm)	B		12	Screw (6x20mm)
I		12	Screw (6x15mm)	C		16	Nut
D		16	Flat Washer				
G		1	Allen Wrench	E		1	Open end Wrench

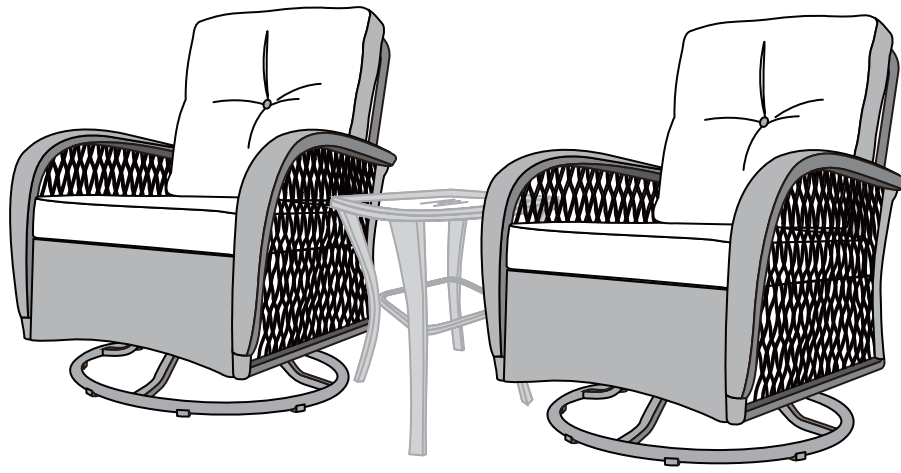


Step.1

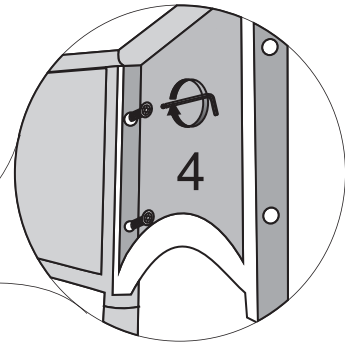
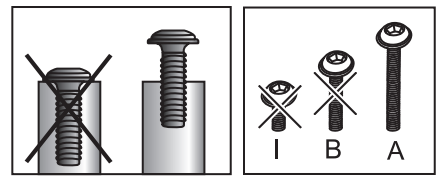
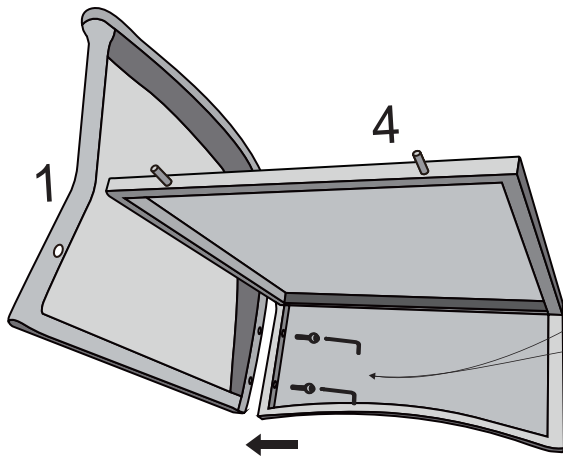


Step.2

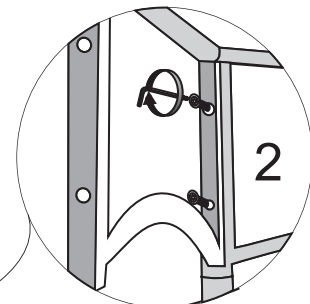
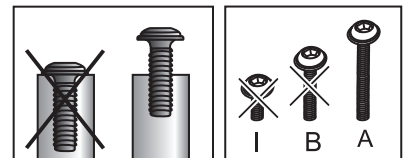
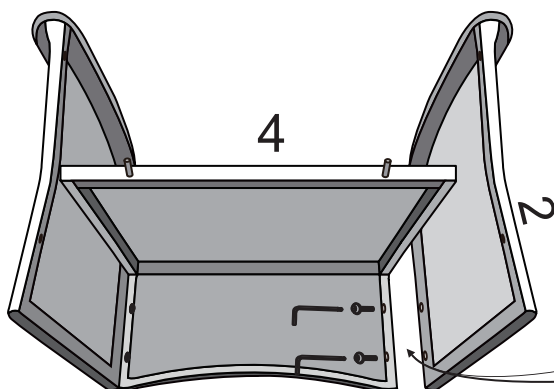




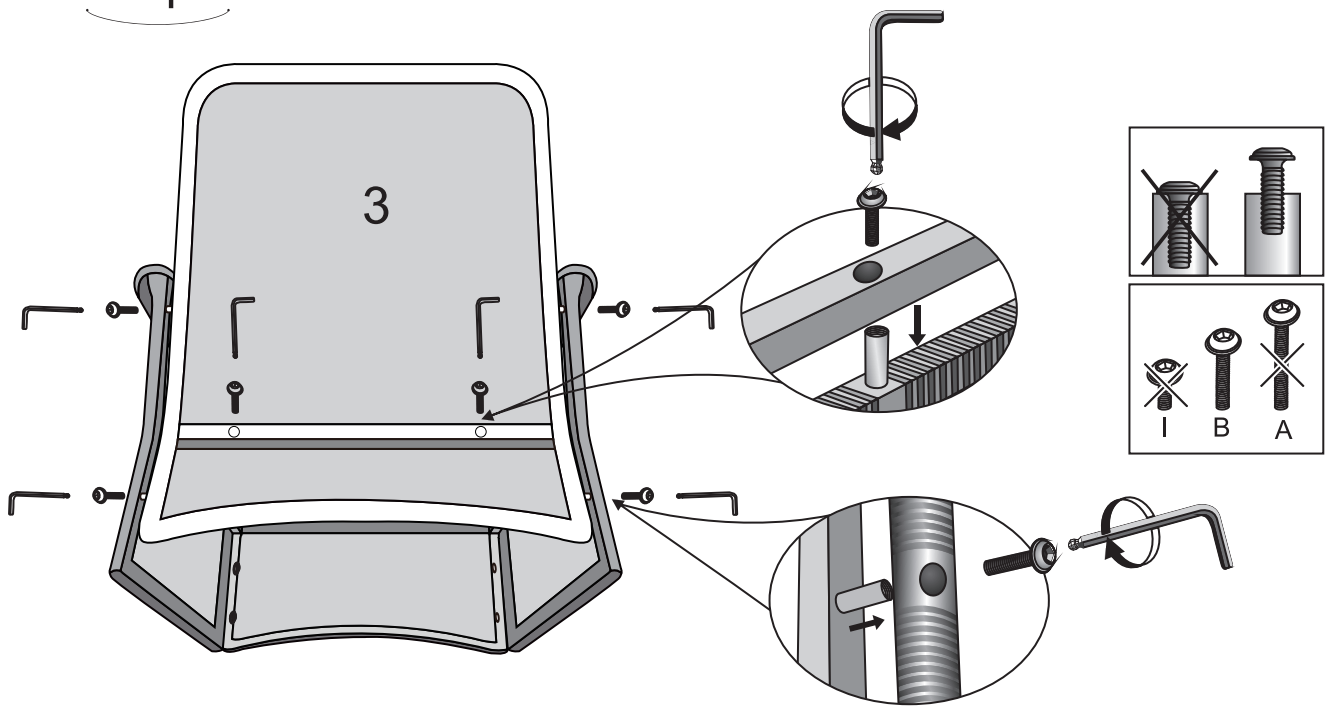
### Step.3



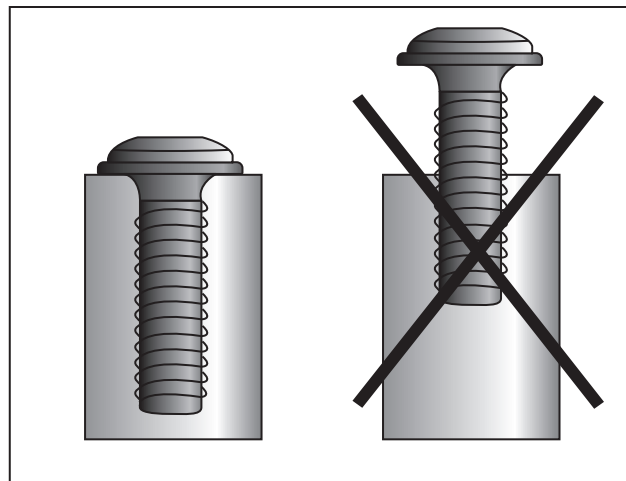
### Step.4



## Step.5

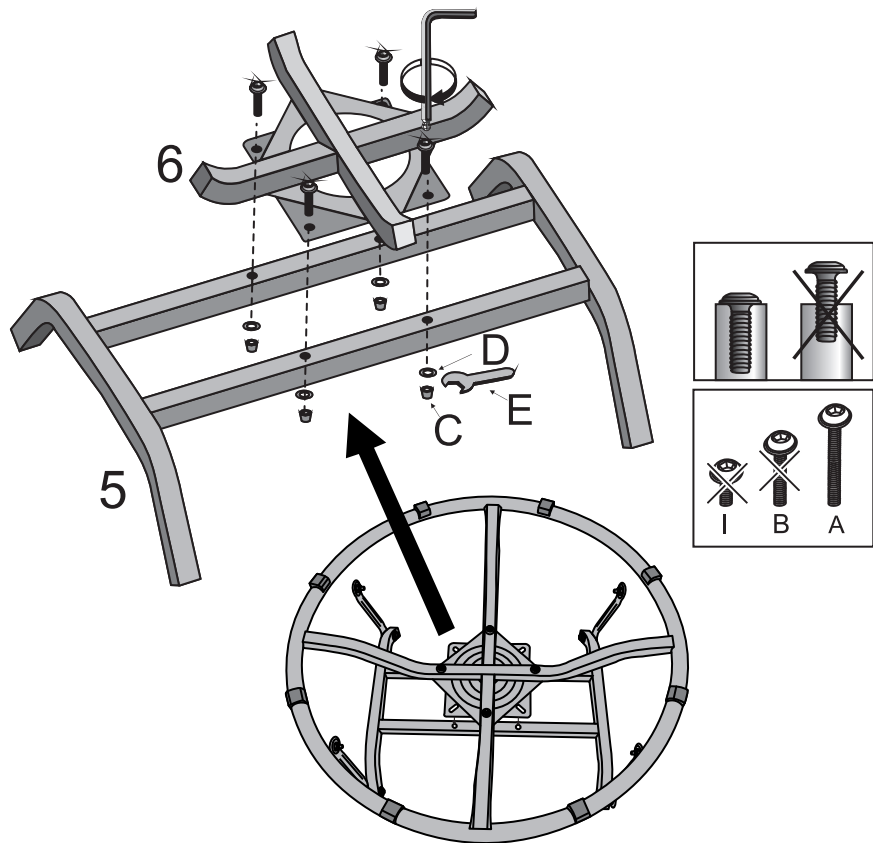


## Step.6

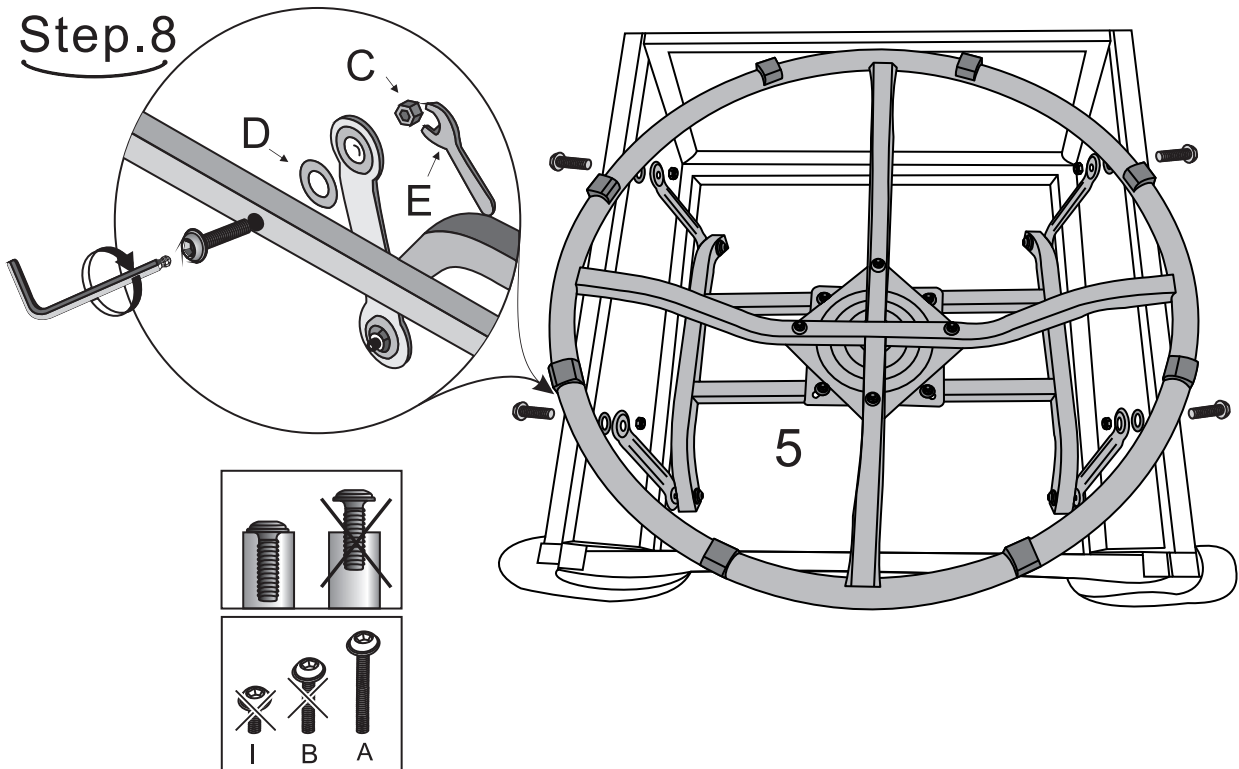


After all screws were inserted, please tighten all of them all the way through.

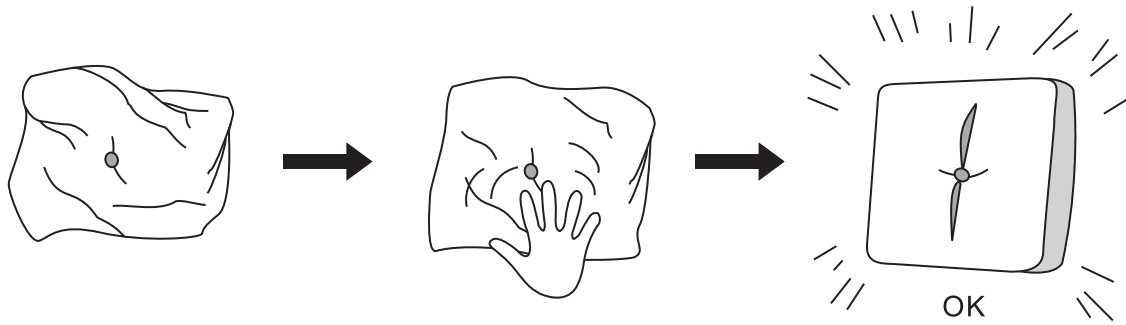
Step.7



Step.8

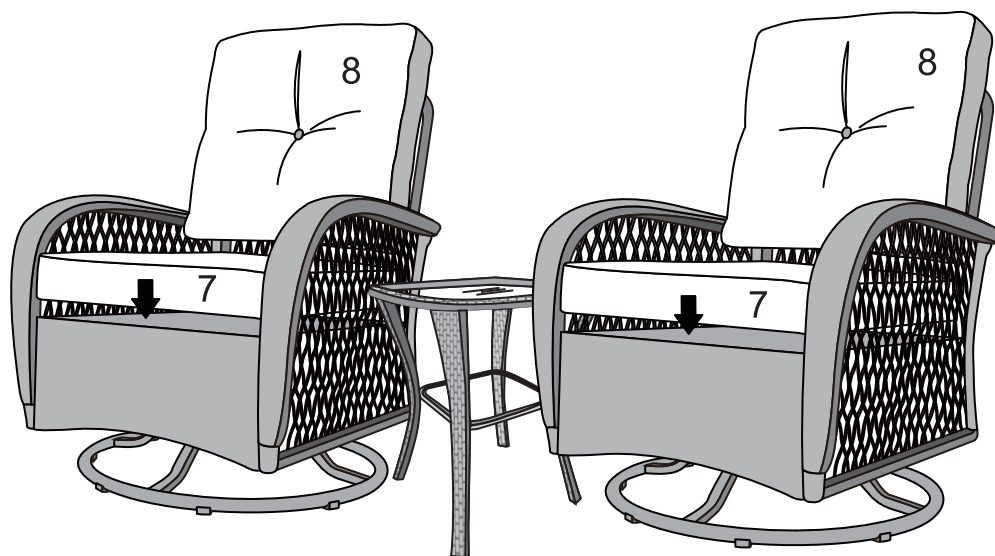


## Step.9



In order to compress the package, we put the cushions in the gap of some parts. So there may be crinkle on the fabric. Don't worry. Just flap every corner of the cushion evenly and it will get back into its original shape soon.

## Step.10



# **AFTER-SALE**

---

## **AFTER-SALE SERVICE**

If you have any suggestions or encounter quality issues with our products, please contact us first.

Our after-sales team will respond within 24 hours, and we will do our best to provide a solution until you are satisfied.

## **GUARANTEED CUSTOMER SERVICE**

Your shopping experience is very important to us!

If you feel unsatisfied or have any questions,  
**just contact us!**

If you want to share how wonderful our smart product makes your home, **just contact us** and share your pictures!

For further information,  
**just contact us!**