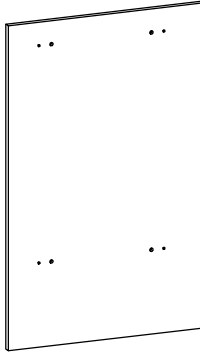
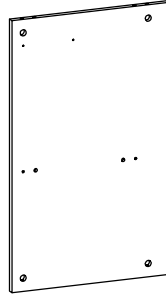


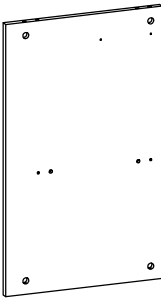
Ax1



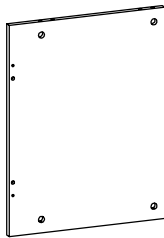
Bx1



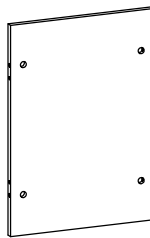
Cx1



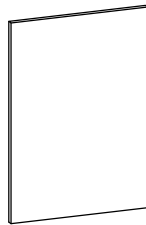
Dx1



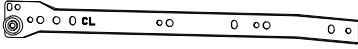
Ex1



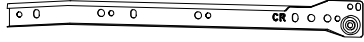
Fx1



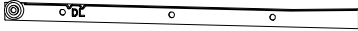
Gx1



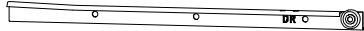
CLX1



DLX1



DLX1



DRX1



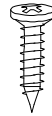
HX16



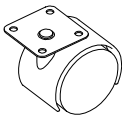
IX16



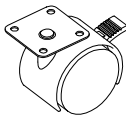
JX16



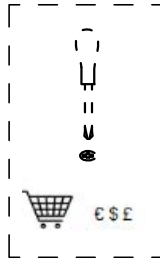
KX28



LX2



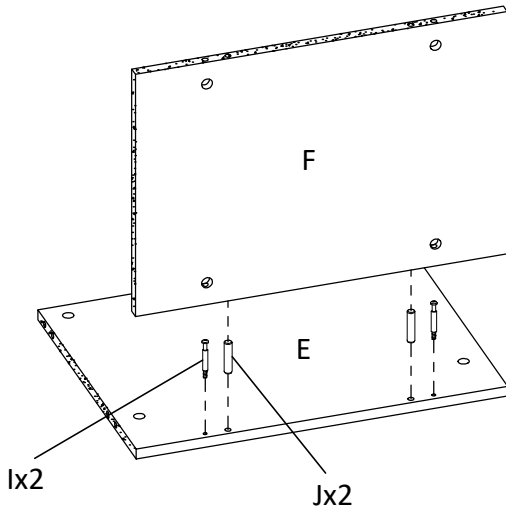
MX2



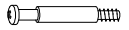
mm
inch

x2

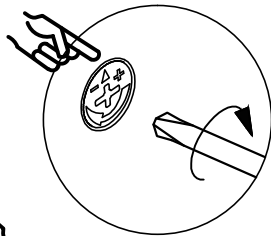
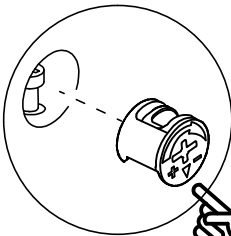
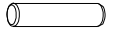
①



Ix2

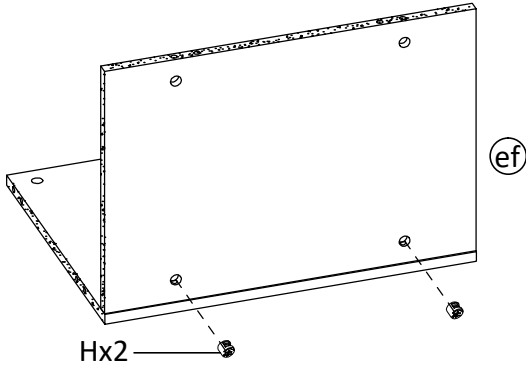


Jx2



②

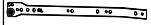
Hx2



③

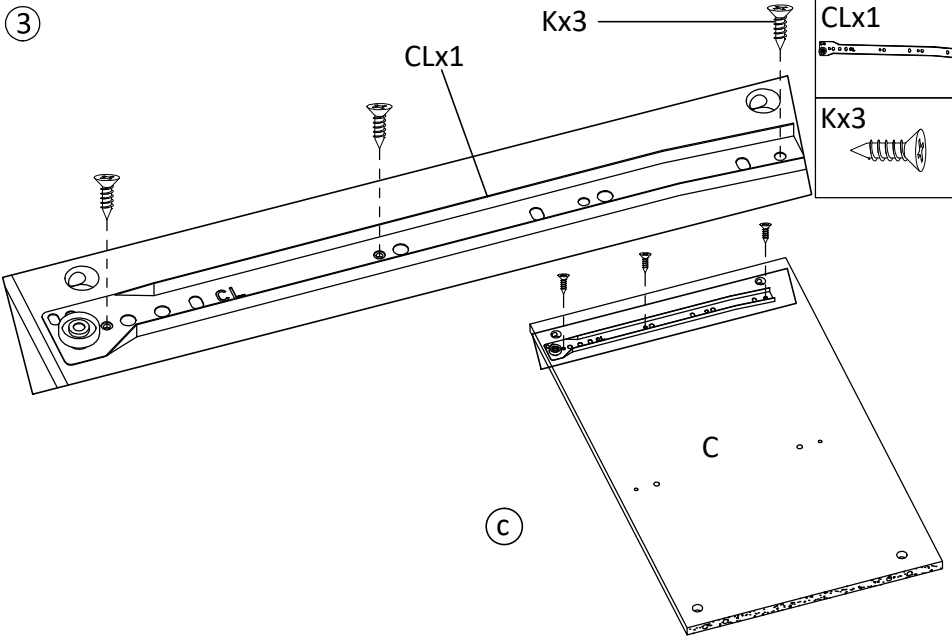
Kx3

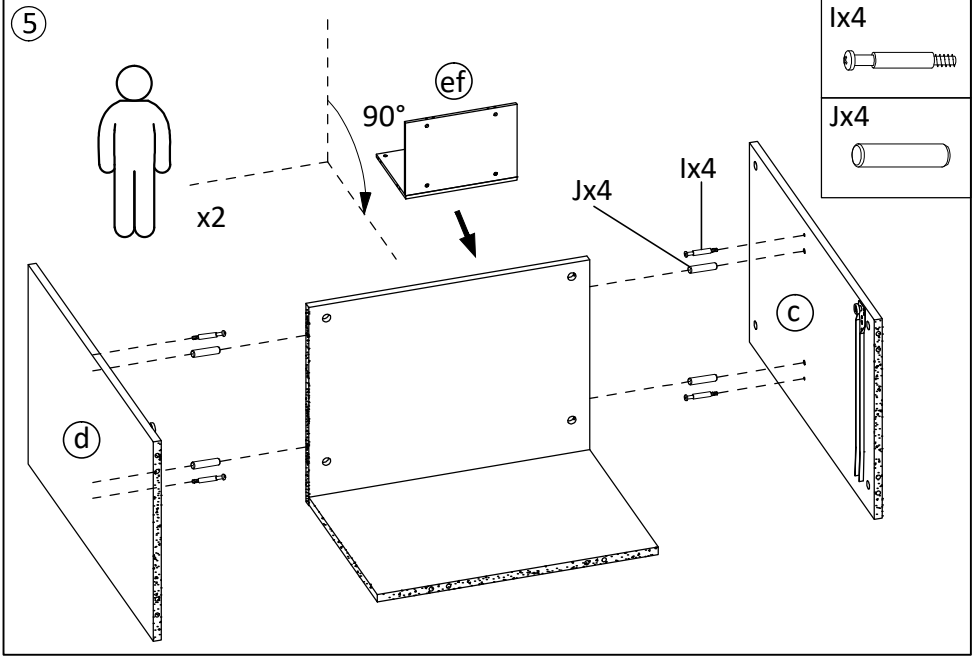
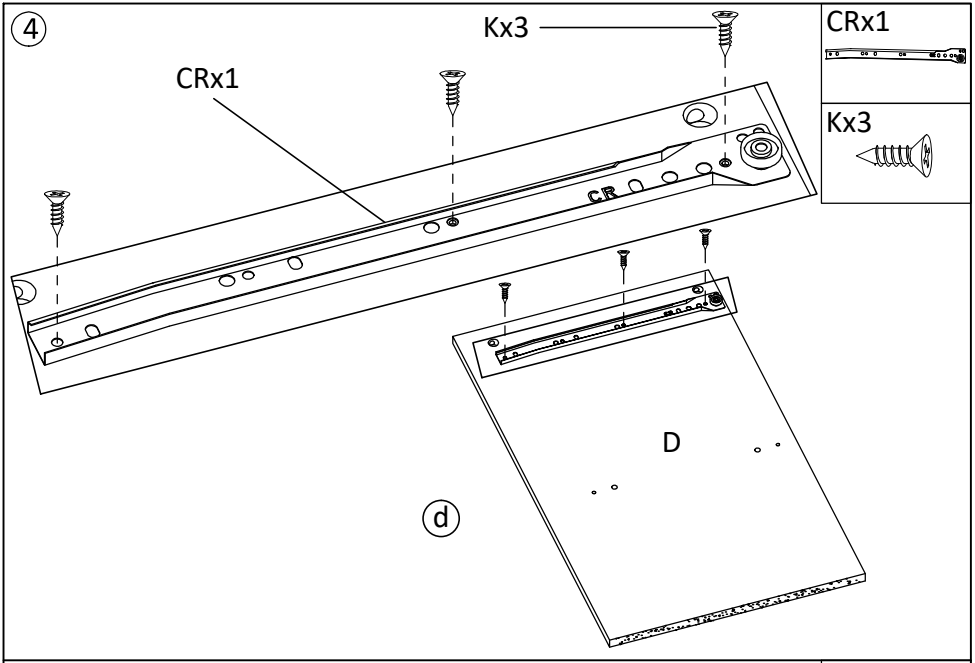
CLx1



CLx1

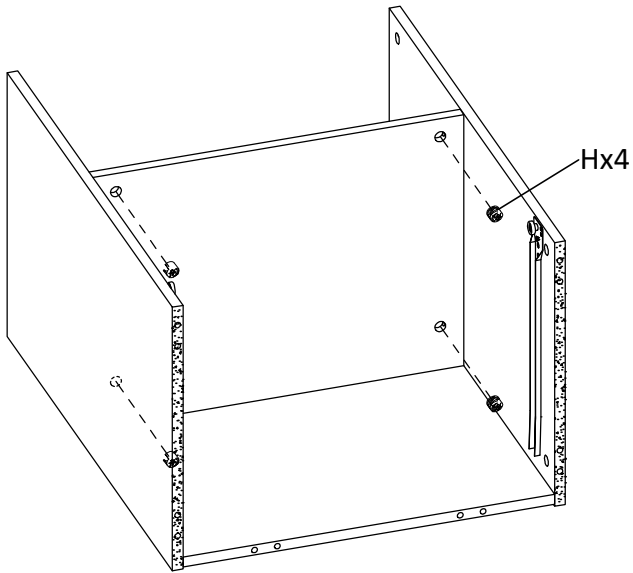
Kx3





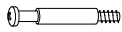
6

Hx4

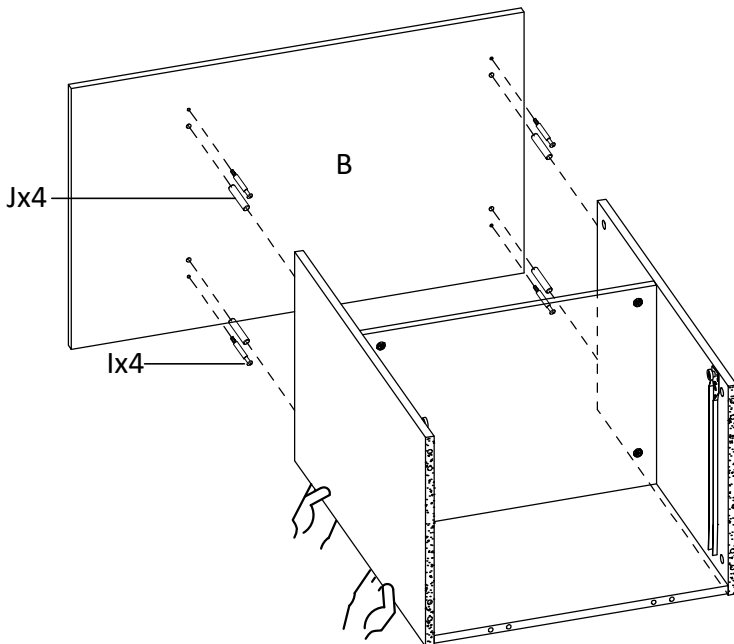
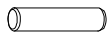


7

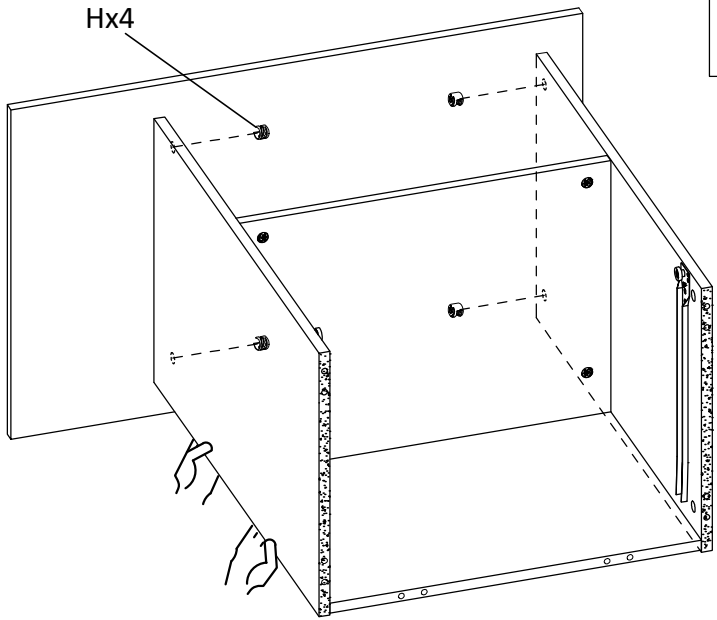
Ix4



Jx4



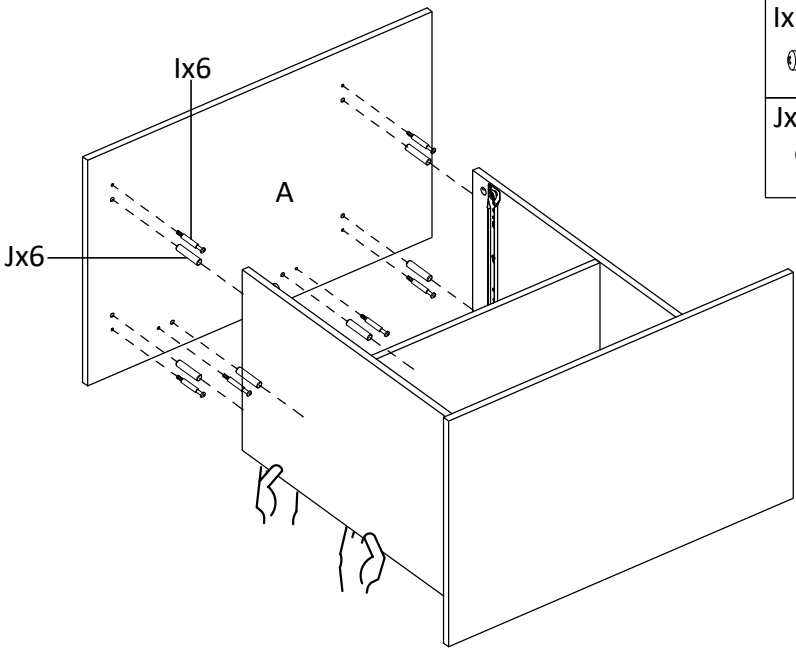
8



Hx4



9

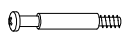


Ix6

Jx6

A

Ix6



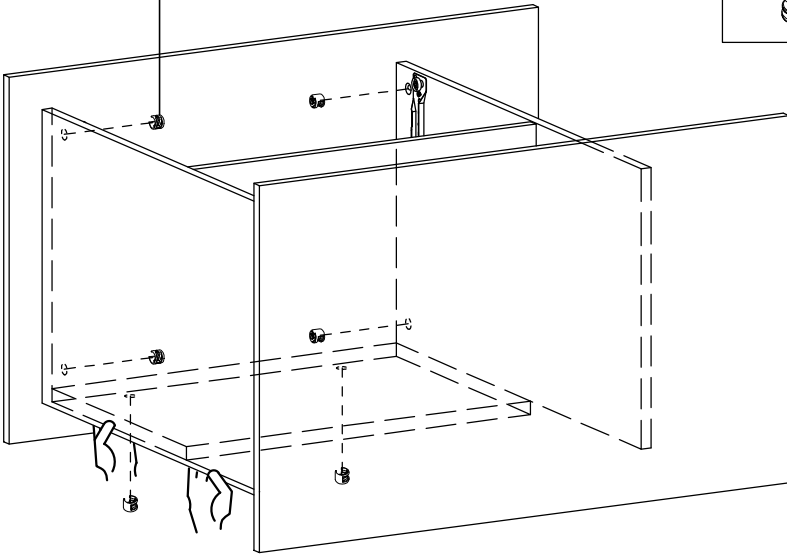
Jx6



10

Hx6

Hx4



11

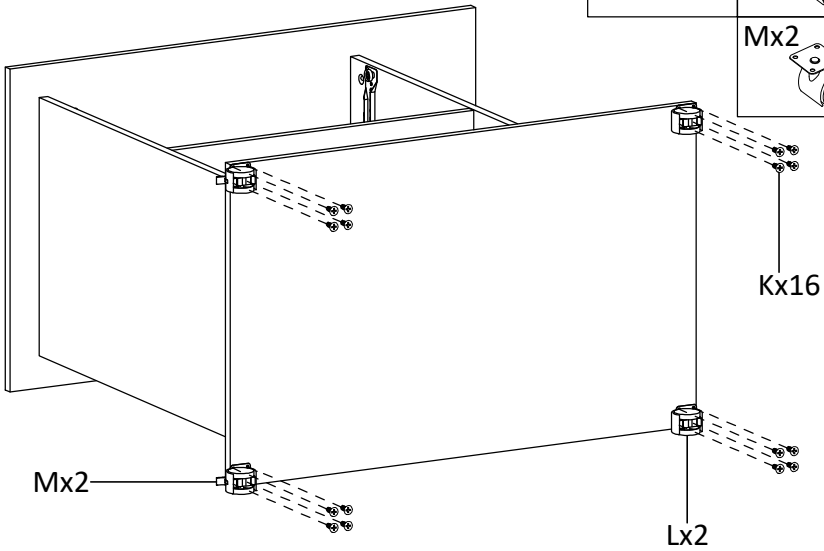
Kx16



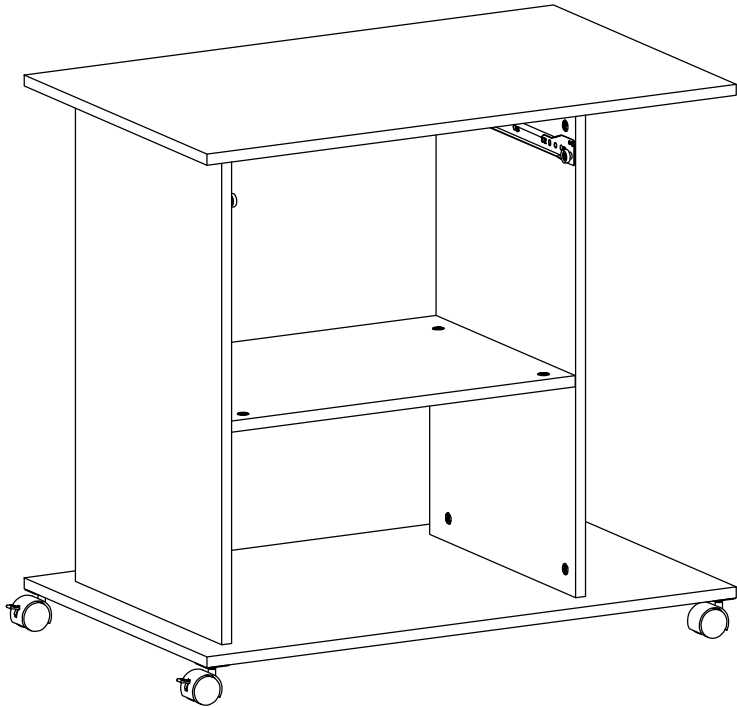
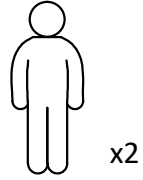
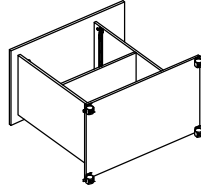
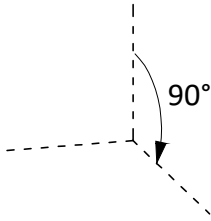
Lx2



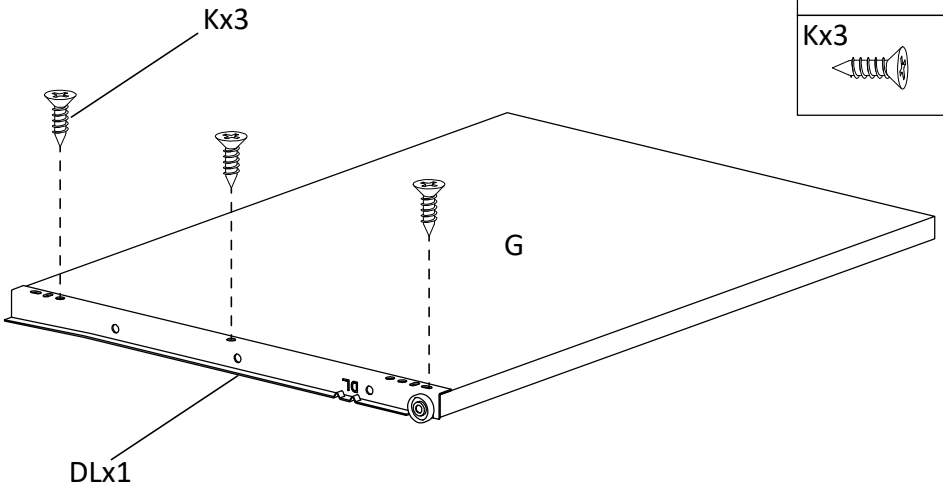
Mx2



12



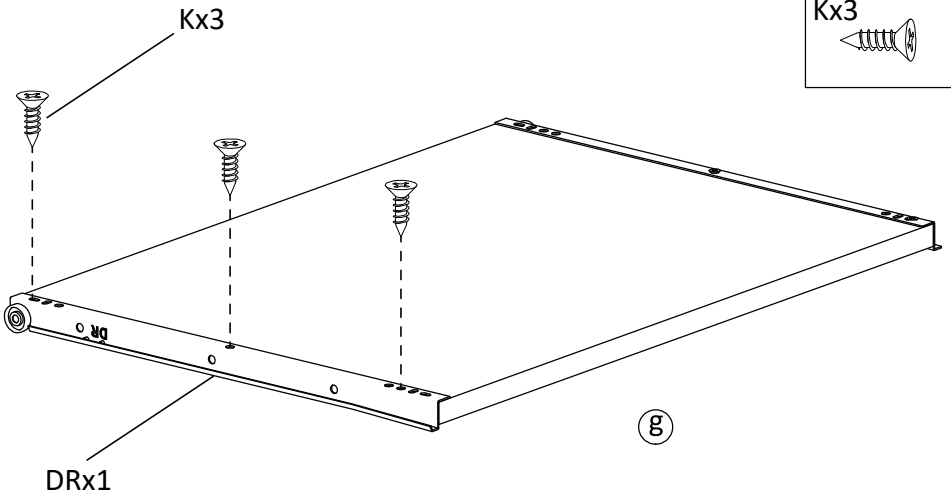
13



DLx1

Kx3

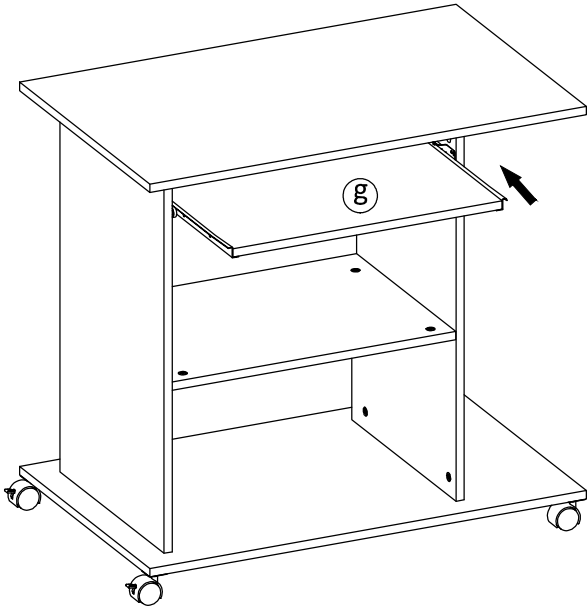
14



DRx1

Kx3

15



15

