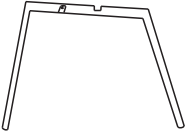

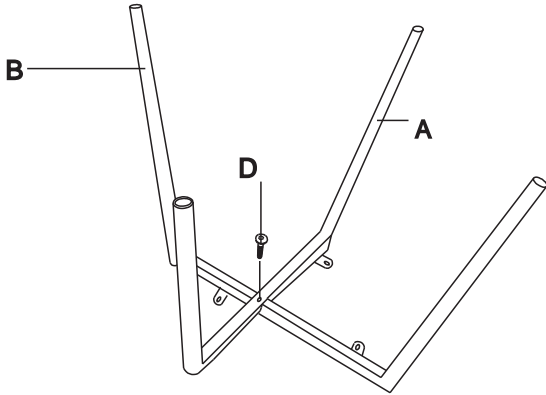
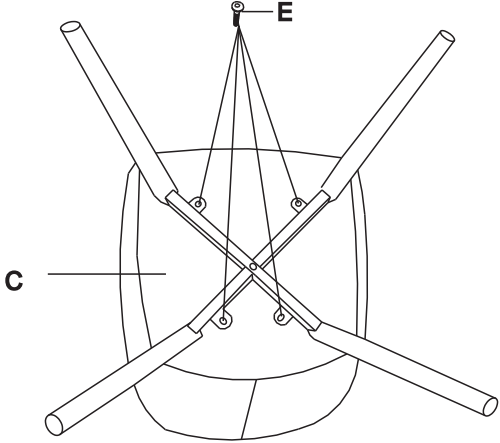
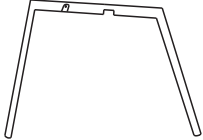

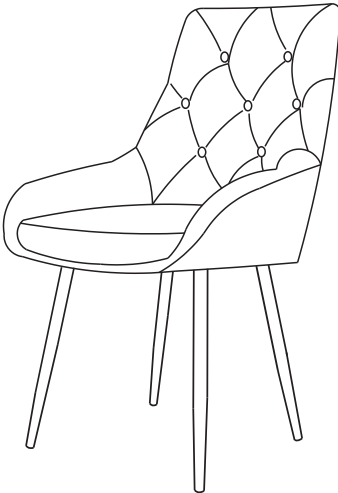
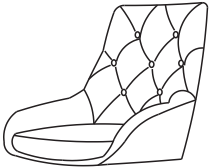



# ASSEMBLE INSTRUCTION

<p><b>Ax1</b></p> 	<p><b>Ex4</b></p>  <p><b>M6X20mm</b></p>	<p><b>1</b></p> 	<p><b>2</b></p> 
<p><b>Bx1</b></p> 	<p><b>Fx1</b></p> 	<p><b>3</b></p> 	
<p><b>Cx1</b></p> 			
<p><b>Dx1</b></p>  <p><b>M6X30mm</b></p>			