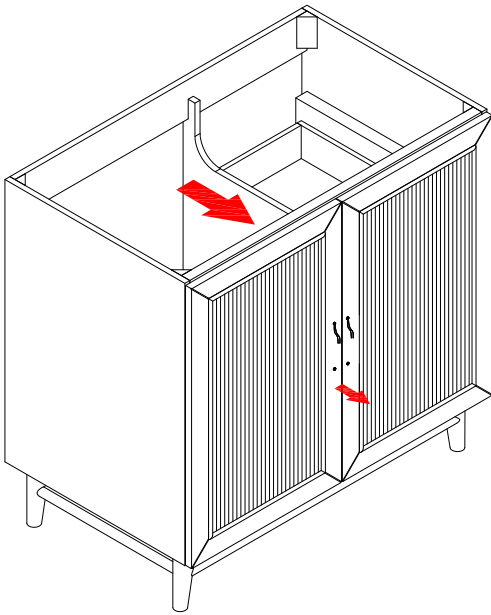


# Install Handles

SUN36116

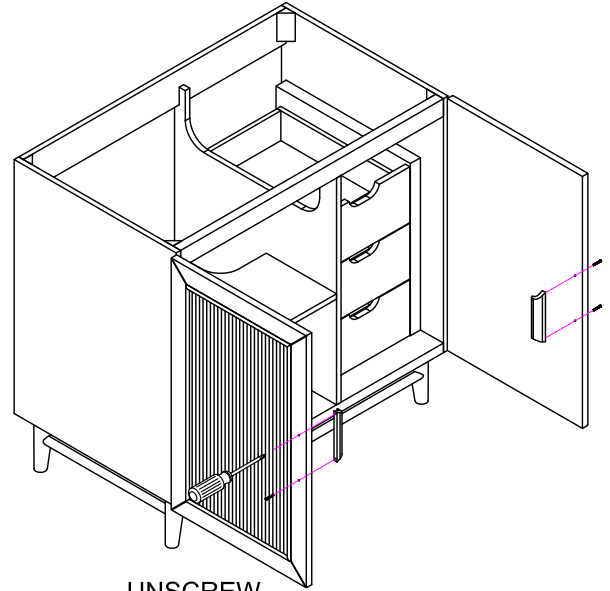
STEP 1



Please first use the rope on the screw to open the door, or push down the door from the back panel hole to open it.

STEP 2

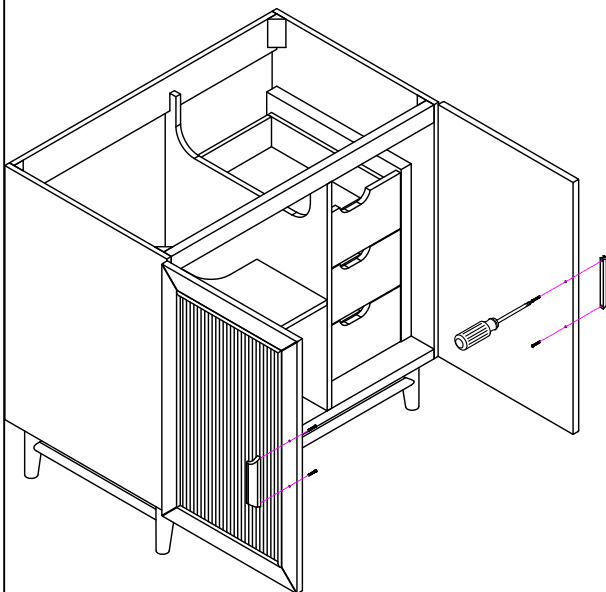
Screw Driver



UNSCREW

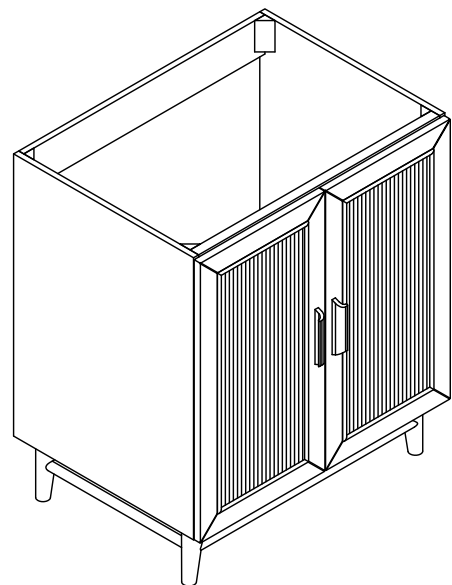
STEP 3

Screw Driver



INSTALL HANDLES

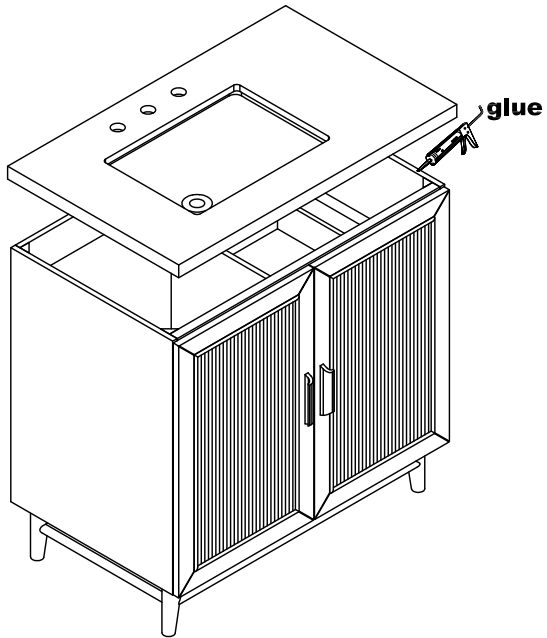
STEP 4



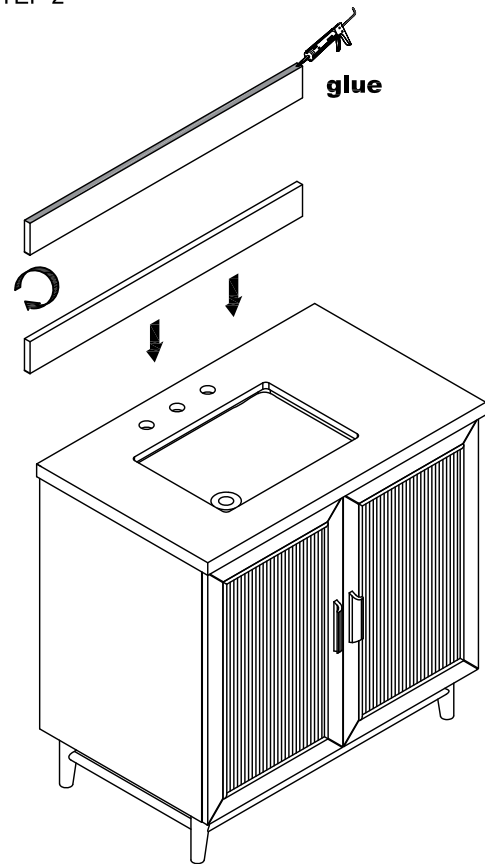
# Install Basin and Backsplash

SUN36116

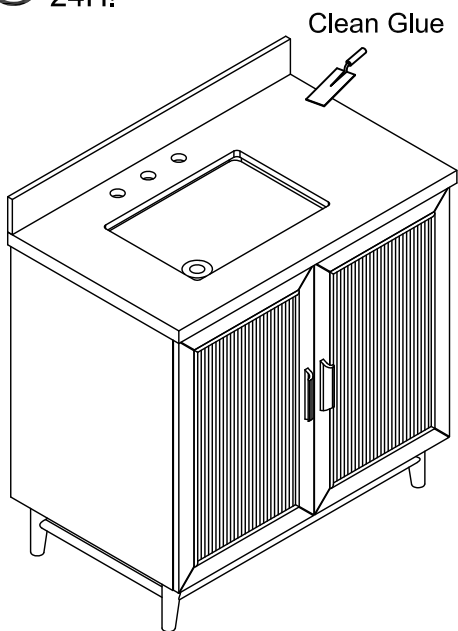
STEP 1



STEP 2



STEP 3



STEP 4

