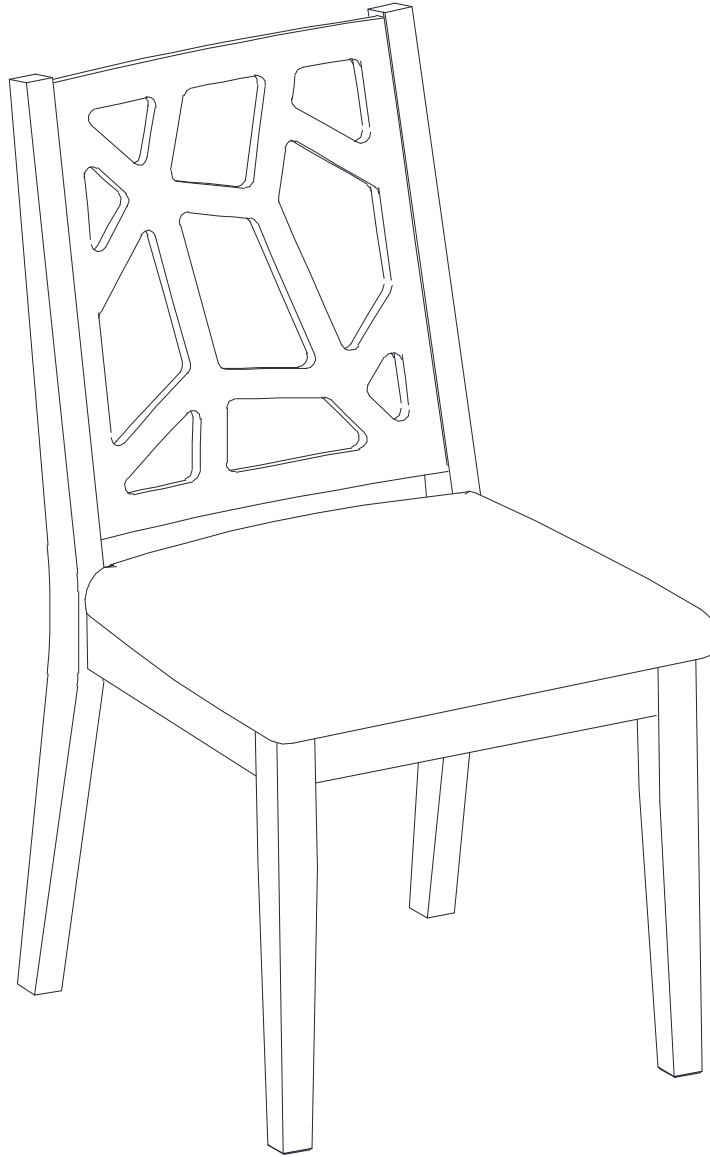


ASSEMBLY INSTRUCTIONS



Description : *CHAIR WITH FAUX LEATHER SEAT*

Product Dimension : *18.5"Wx 22"Dx 36.2" H*

Cube Size : *39" x 19.9"x 13.2"*

NW: 33 LBS

GW: 41.8 LBS

CHAIR WITH FAUX LEATHER SEAT

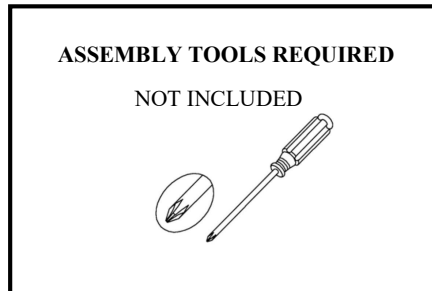
BEFORE ASSEMBLY

Thank you for purchasing this quality product. This product has been designed for easy assembly and constructed for durability. Please take the time to read and follow the assembly instructions carefully.

Be sure to check all packing material carefully for small parts which may have come loose inside the carton during shipment. Please separate, identify, and count all parts and metal hardware. Compare with part list to be sure all parts are present. If hardware is missing or you have difficulty assembling this product, please contact us.

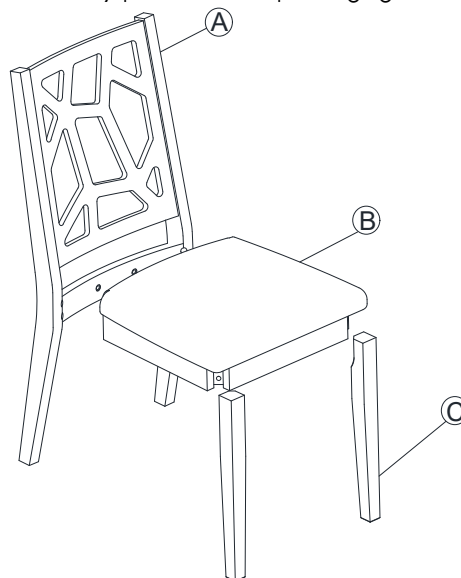
IMPORTANT NOTE:

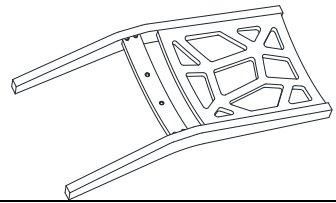
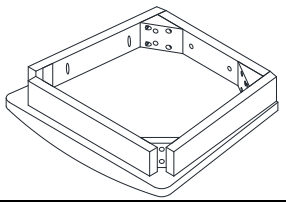
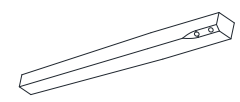
- Place all wooden parts on a clean and smooth surface such as a rug or carpet to avoid the parts from being scratched.
- Remove all wrapping material, including staples & packing straps before you start to assemble.
- DO NOT TIGHTEN all screws and bolts until product is completely assembled.
- Keep all hardware parts out of reach of children.



PART LIST

When unpacking, please be careful not to discard any parts with the packaging. Before continuing, please make sure you have the following parts:



NO	Description	Qty	Sketch	NO	Description	Qty	Sketch
A	Chair back	1		B	Seat Frame	1	
C	Front Leg	2					

CHAIR WITH FAUX LEATHER SEAT

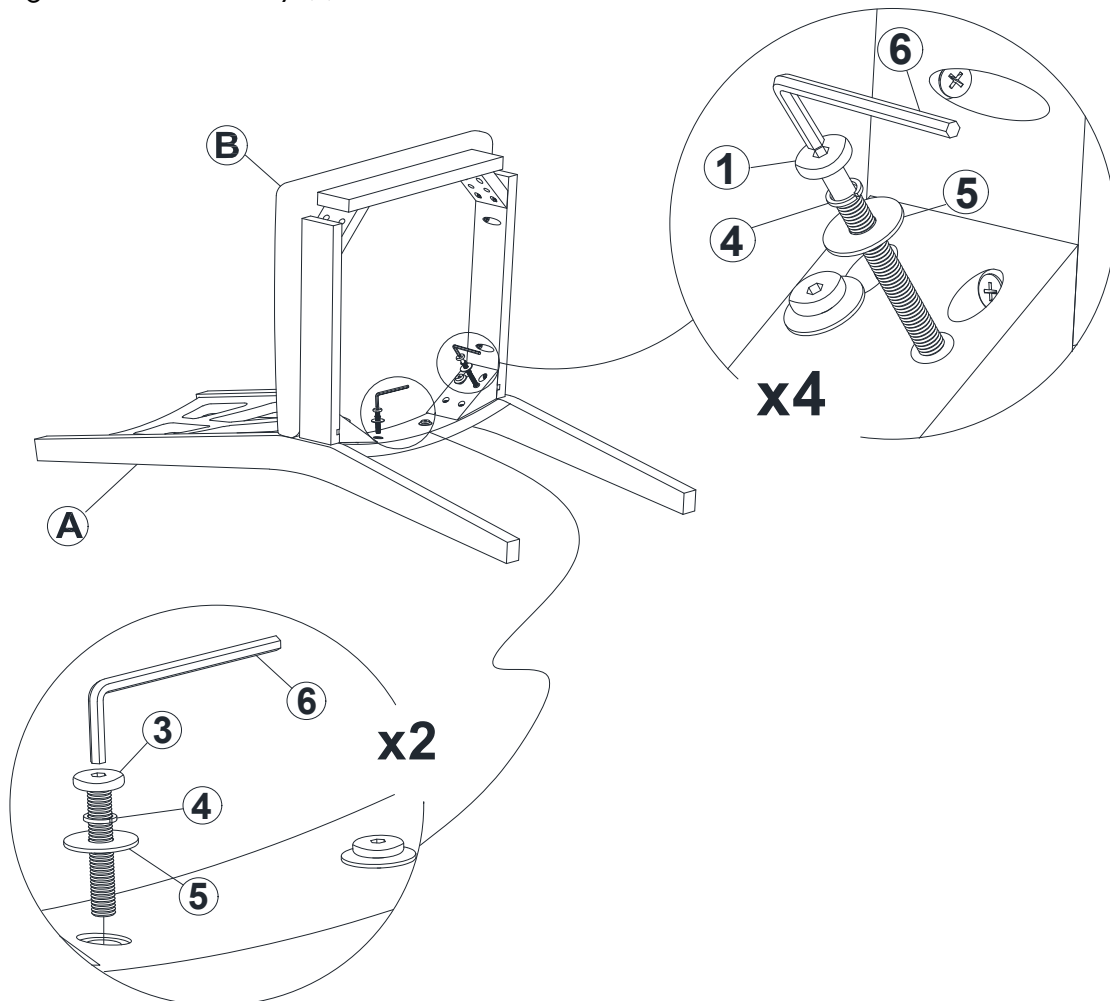
HARDWARE LIST

When unpacking, please be careful not to discard any parts with the packaging. Before continuing, please make sure you have all of the following hardware:

NO	Description	Qty	Sketch	NO	Description	Qty	Sketch
1	Long bolt (M6x80mm)	4		2	Medium bolt (M6x60mm)	4	
3	Short bolt (M6x40mm)	2		4	Lock Washer (Ø6.5X9)	10	
5	Flat Washer (Ø6.5x19)	10		6	Allen Key (4mm)	1	

STEP 1

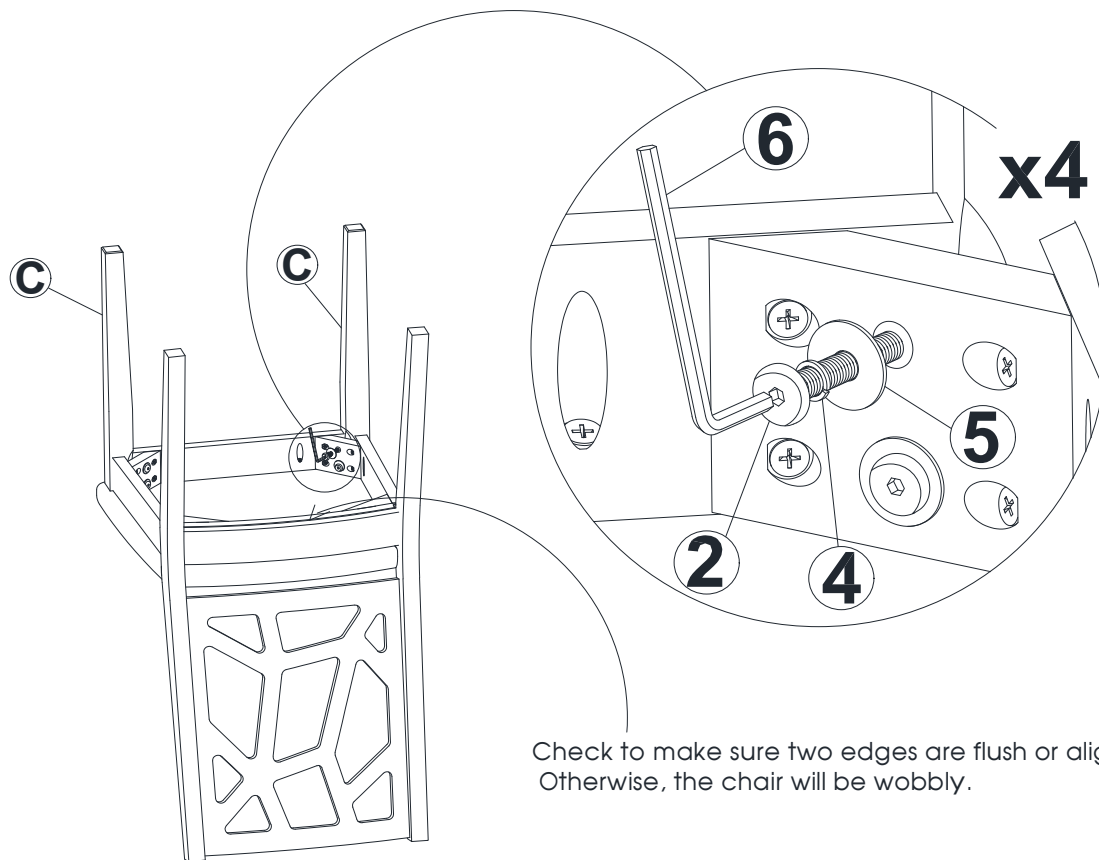
- Attach Seat Frame (B) to Chair Back (A) using Short Bolt (3) and Long Bolt (1), Lock Washer (4) and Flat Washer (5). Tighten with Allen Key (6).



CHAIR WITH FAUX LEATHER SEAT

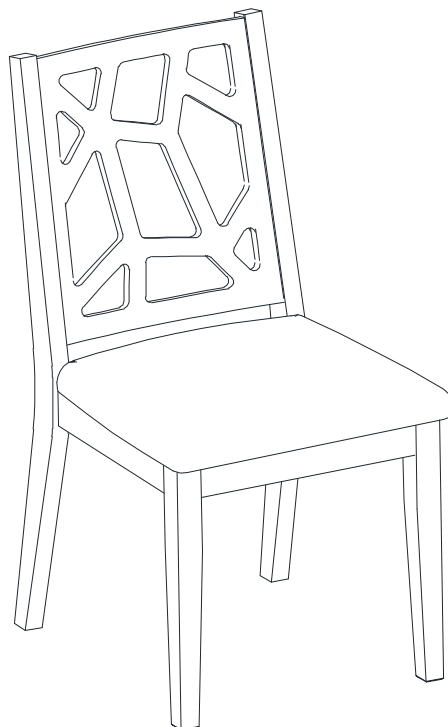
STEP 2

- Attach Front Legs (C) to the Seat Frame (from step1) using Medium Bolt (2), Lock Washer (4) and Flat Washer (5) .Tighten with Allen Key (6).



STEP 3

- Put the chair on a flat, level surface to make sure the chair is level and then tighten the all bolts.



CHAIR WITH FAUX LEATHER SEAT