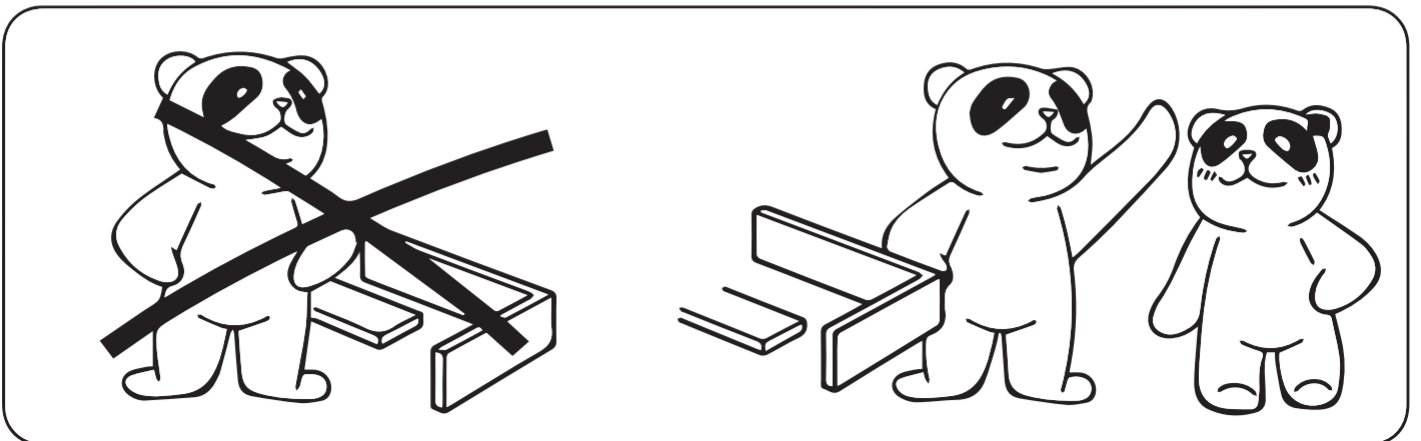
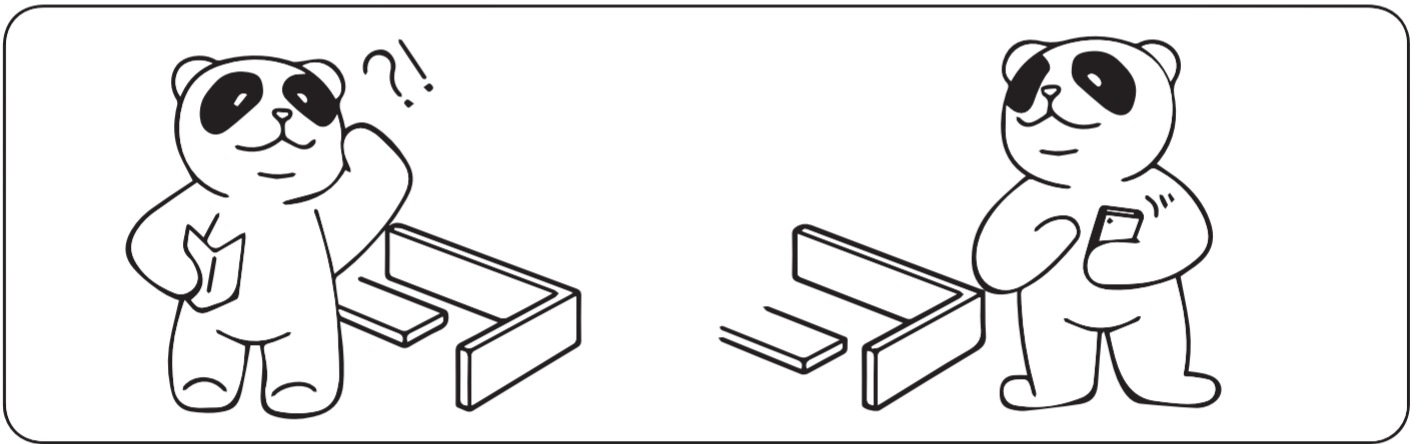
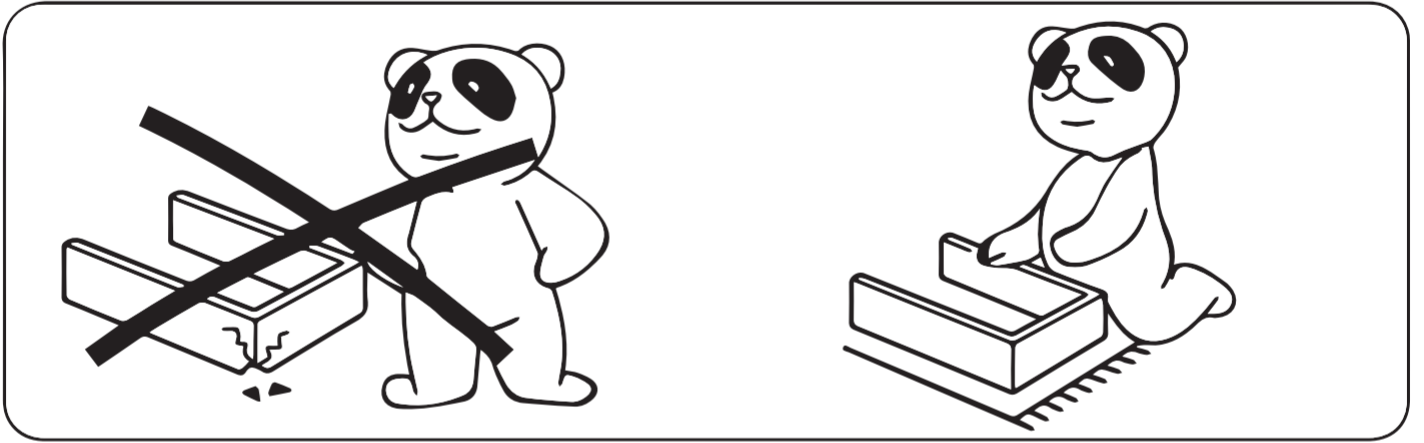
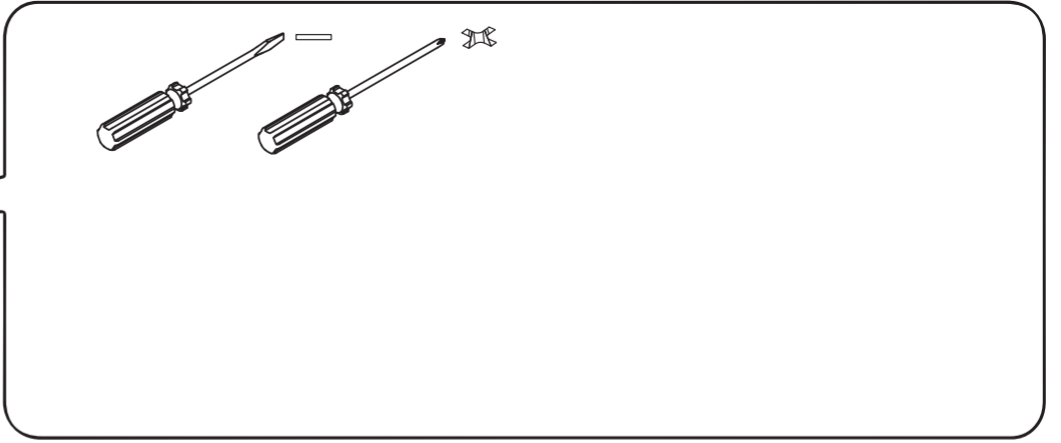
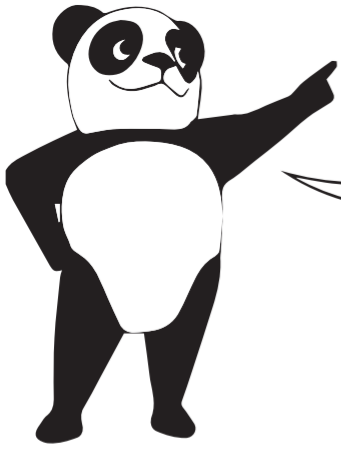


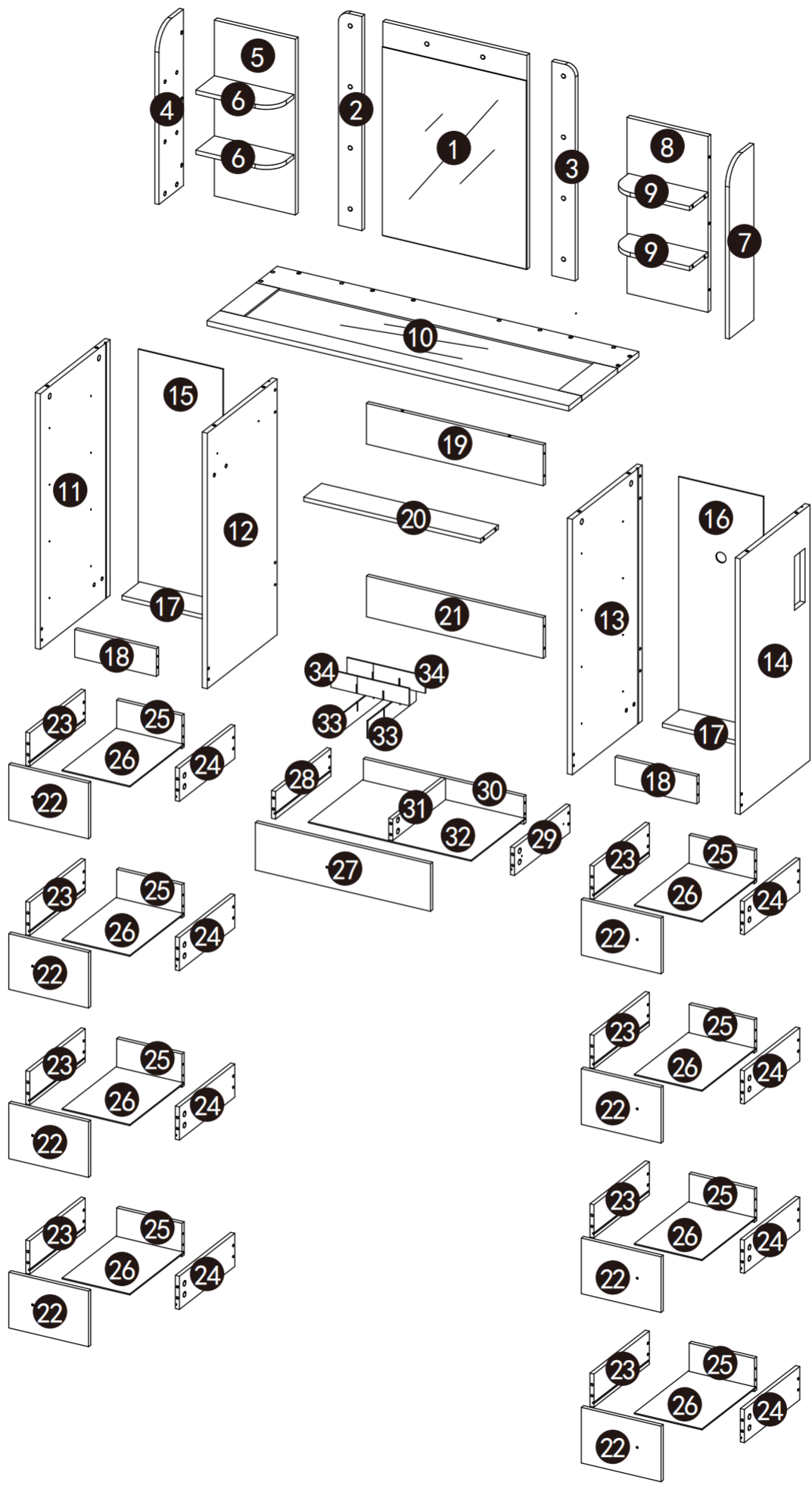


EFST39W

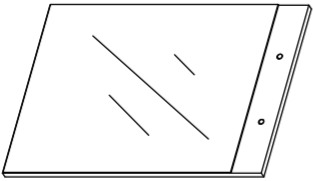
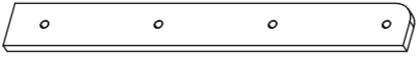
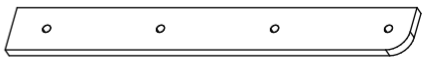
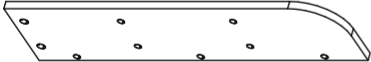
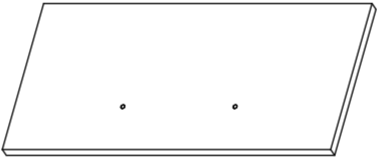
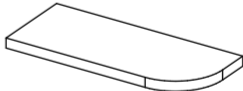


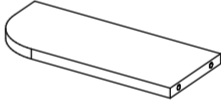
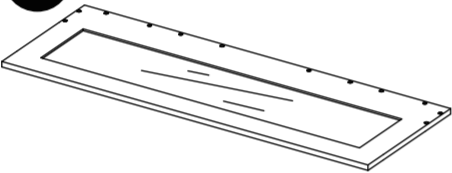


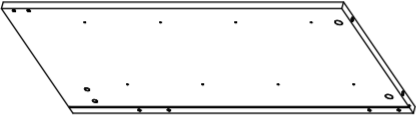
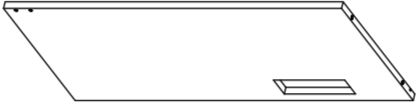

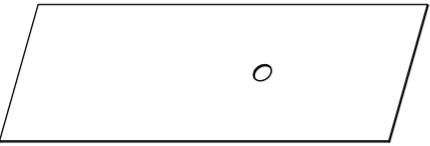
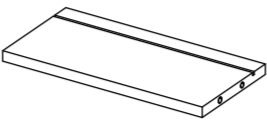
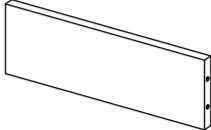
Instruction Manual

Thanks a lot your support and purchasing.
Please feel free to contact us if you have any questions with assembly or need replacement parts.



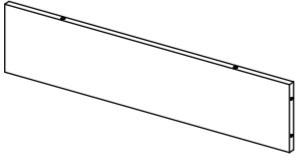


PARTS LIST

<p>1</p>  <p>470x640x12mm x1</p>	<p>2</p>  <p>70x640x12mm x1</p>	<p>3</p>  <p>70x640x12mm x1</p>
<p>4</p>  <p>570x140x12mm x1</p>	<p>5</p>  <p>206x569x12mm x1</p>	<p>6</p>  <p>205x126x12mm x2</p>
<p>7</p>  <p>570x140x12mm x1</p>	<p>8</p>  <p>206x569x12mm x1</p>	<p>9</p>  <p>205x126x12mm x2</p>
<p>10</p>  <p>1050x400x15mm x1</p>	<p>11</p>  <p>745x398x12mm x1</p>	<p>12</p>  <p>745x398x12mm x1</p>
<p>13</p>  <p>745x398x12mm x1</p>	<p>14</p>  <p>745x398x12mm x1</p>	<p>15</p>  <p>233x661x3mm x1</p>
<p>16</p>  <p>233x661x3mm x1</p>	<p>17</p>  <p>225x100x12mm x2</p>	<p>18</p>  <p>225x80x12mm x2</p>

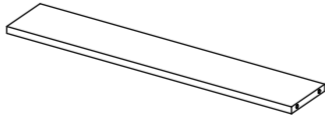
PARTS LIST

19



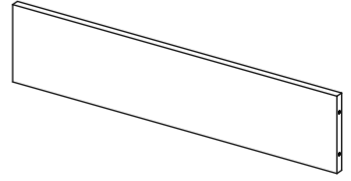
548x100x12mm x1

20



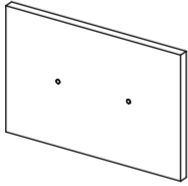
548x80x12mm x1

21



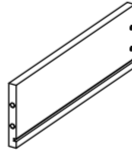
548x120x12mm x1

22



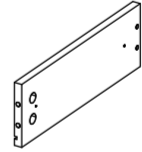
221x163x12mm x8

23



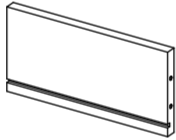
300x100x12mm x8

24



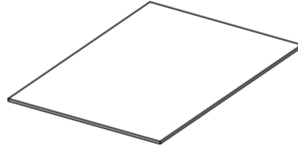
300x100x12mm x8

25



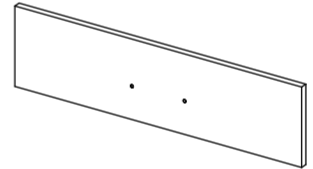
175x100x12mm x8

26



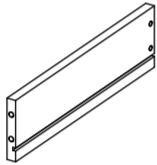
296x183x3mm x8

27



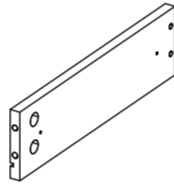
544x140x12mm x1

28



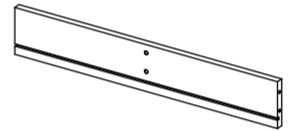
300x100x12mm x1

29



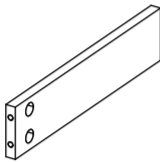
300x100x12mm x1

30



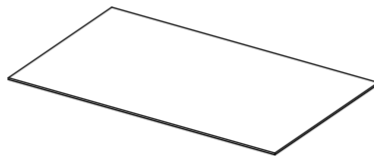
498x100x12mm x1

31



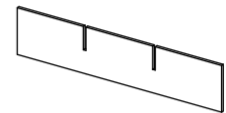
288x83x12mm x1

32



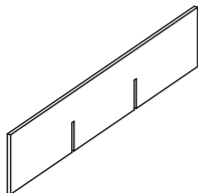
506x296x3mm x1

33



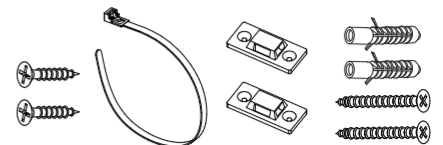
287x60x5 x2

34










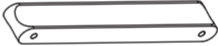
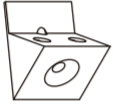


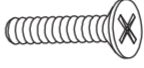
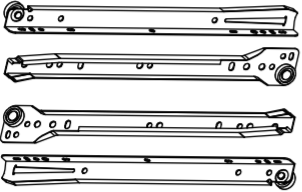

242x60x5mm x2

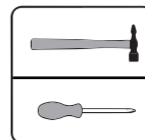
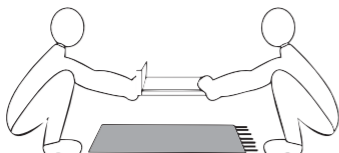
P



x1

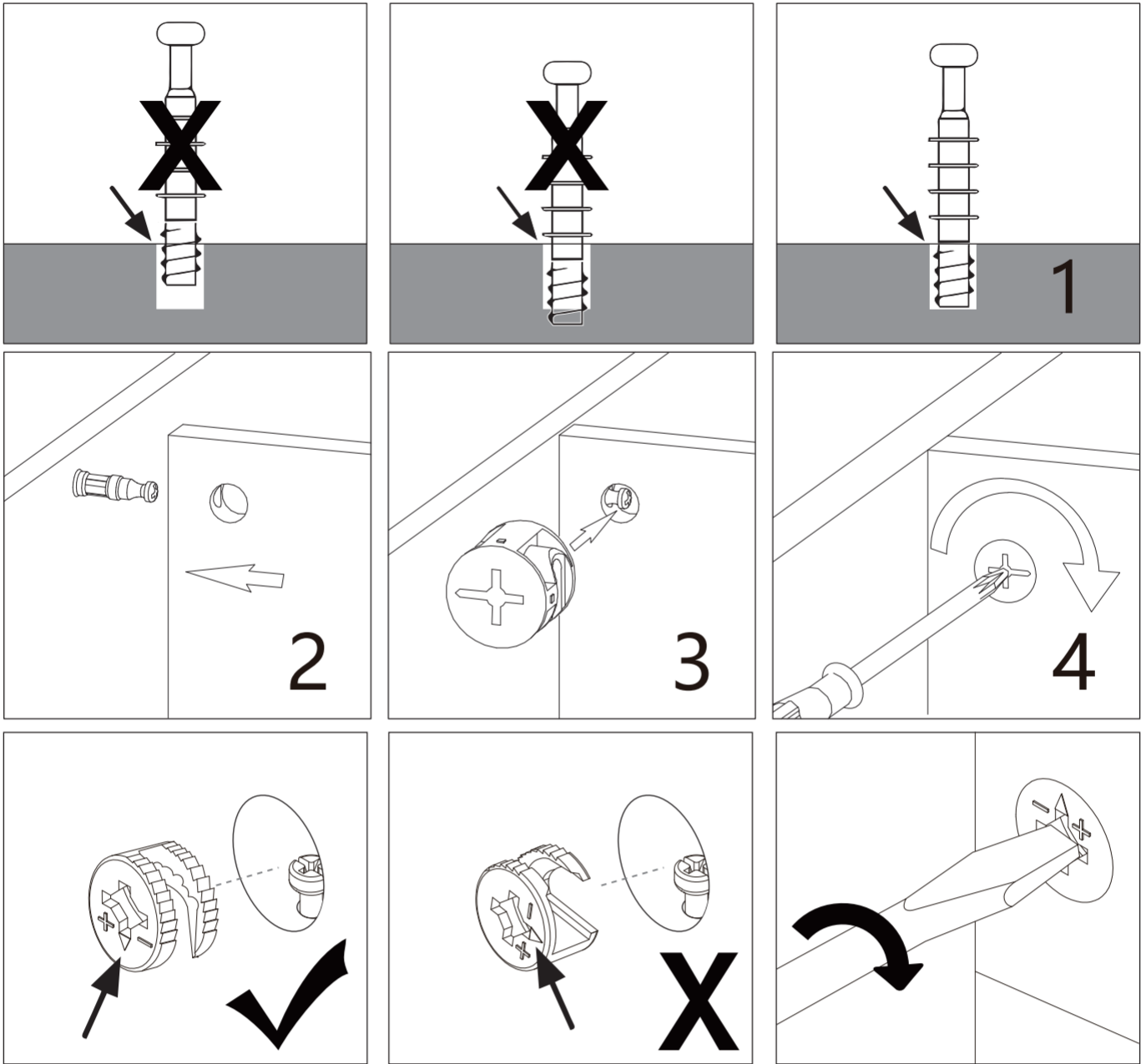
HARDWARE LIST

<p>A  6x40 x86</p>	<p>B  15x11 x86</p>
<p>C  12inches x2</p>	<p>D  x1</p>
<p>E  M3.5x12 x106</p>	<p>F  M5x40/#3 x58/x1</p>
<p>G  x8</p>	<p>H  96mm x9</p>
<p>J  x8</p>	<p>K  x12</p>
<p>L  21mm x20</p>	<p>M  M4x14 x18</p>
<p>N  12inches x8</p>	<p>O  LED x1</p>

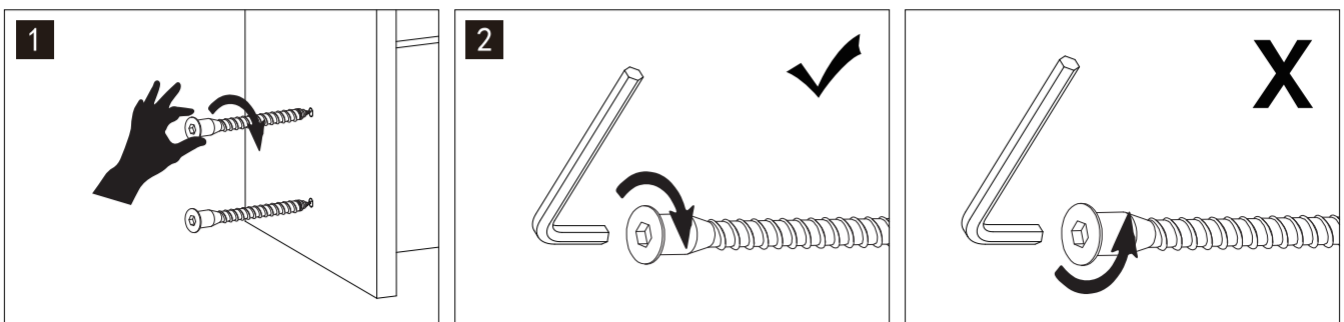


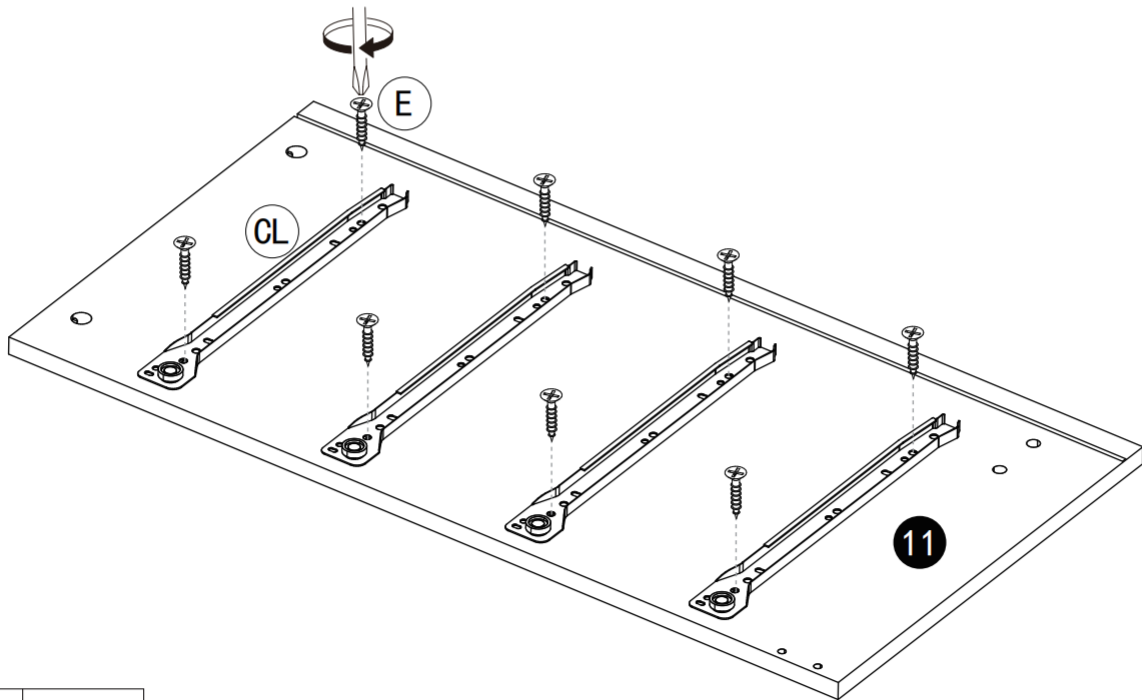
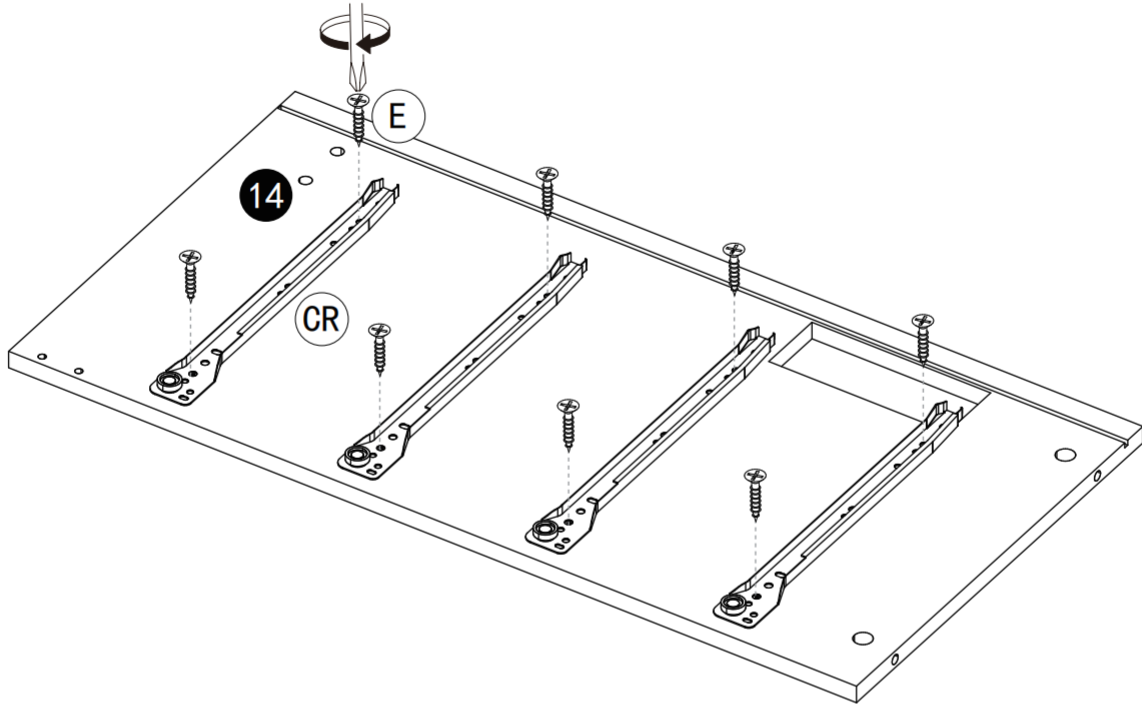
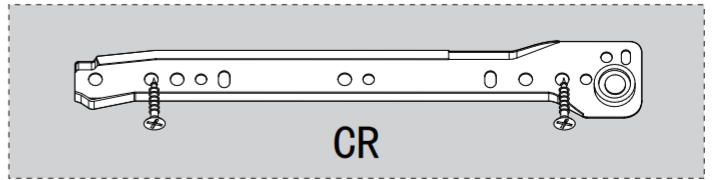
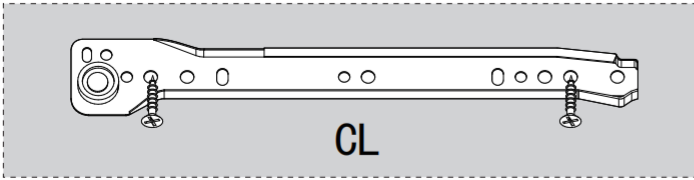
Hardware installation indication

Installation method of three in one rod and buckle



Screw installation method



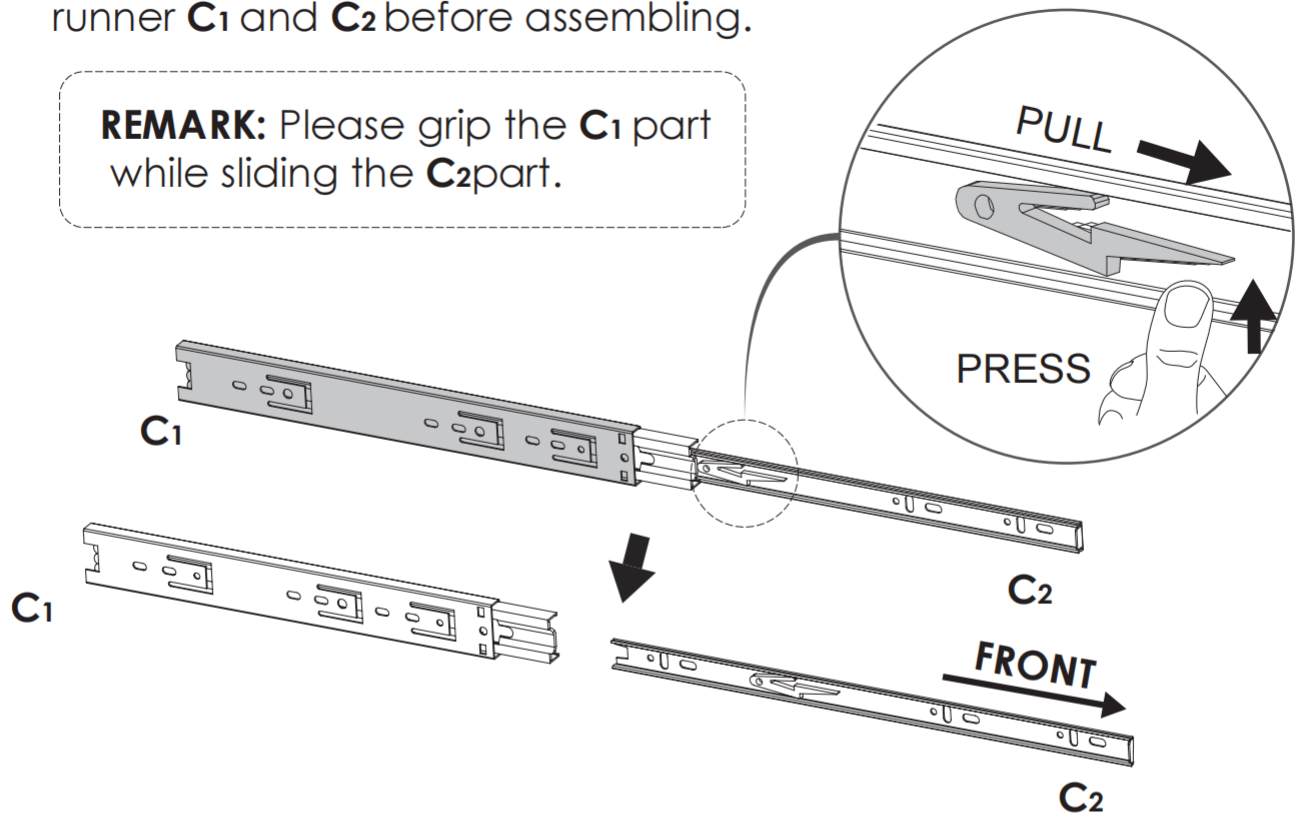


CL		x4
CR		x4
E		x16

INSTALLATION STEPS

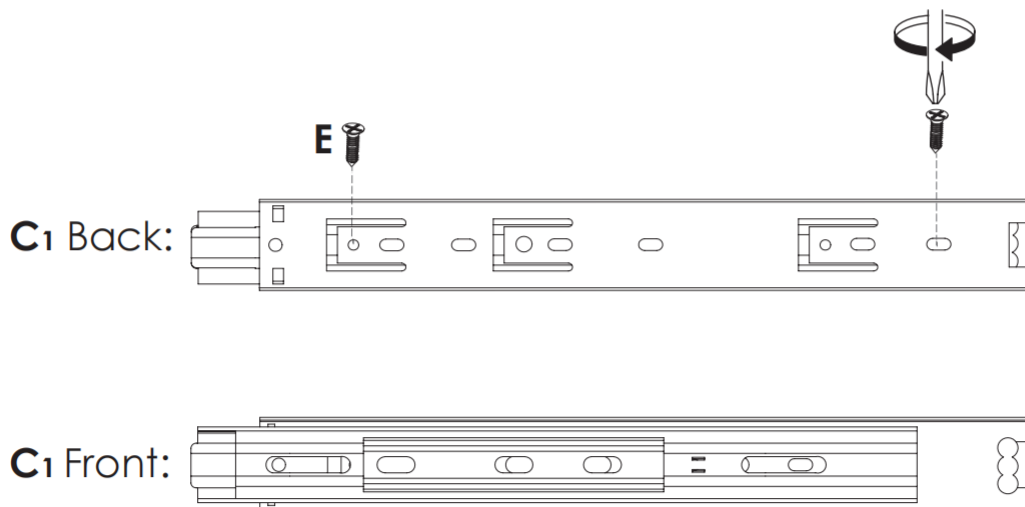
Press the plastic part in the indicated direction to separate drawer runner **C1** and **C2** before assembling.

REMARK: Please grip the **C1** part while sliding the **C2** part.



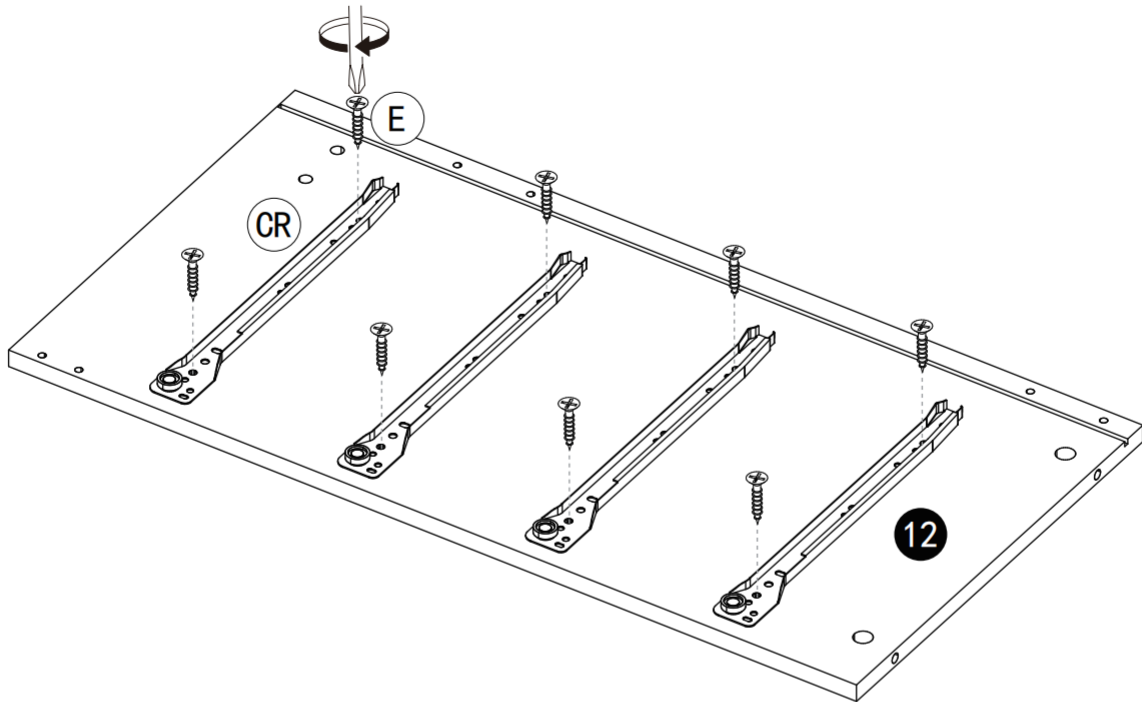
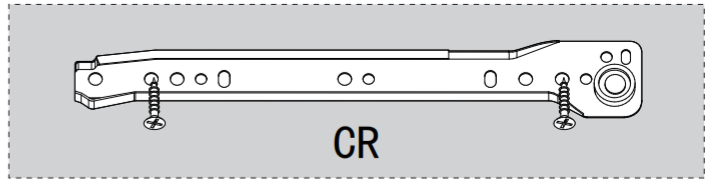
REMARK:

1. Please locate the holes from the back of part **C1**.

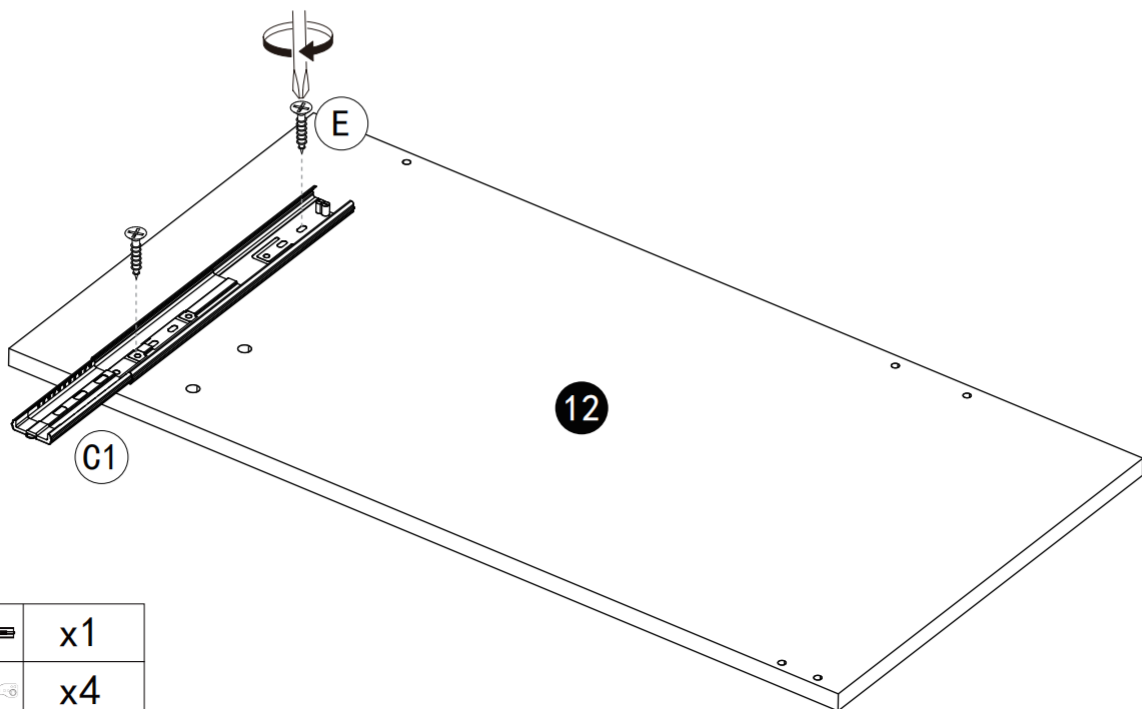
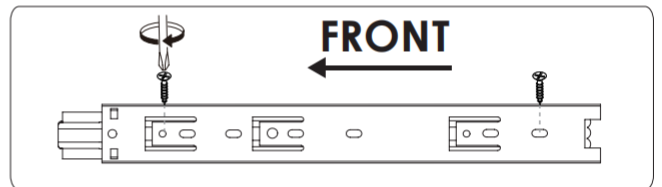





2. But install part **E** from the front of part **C1**.

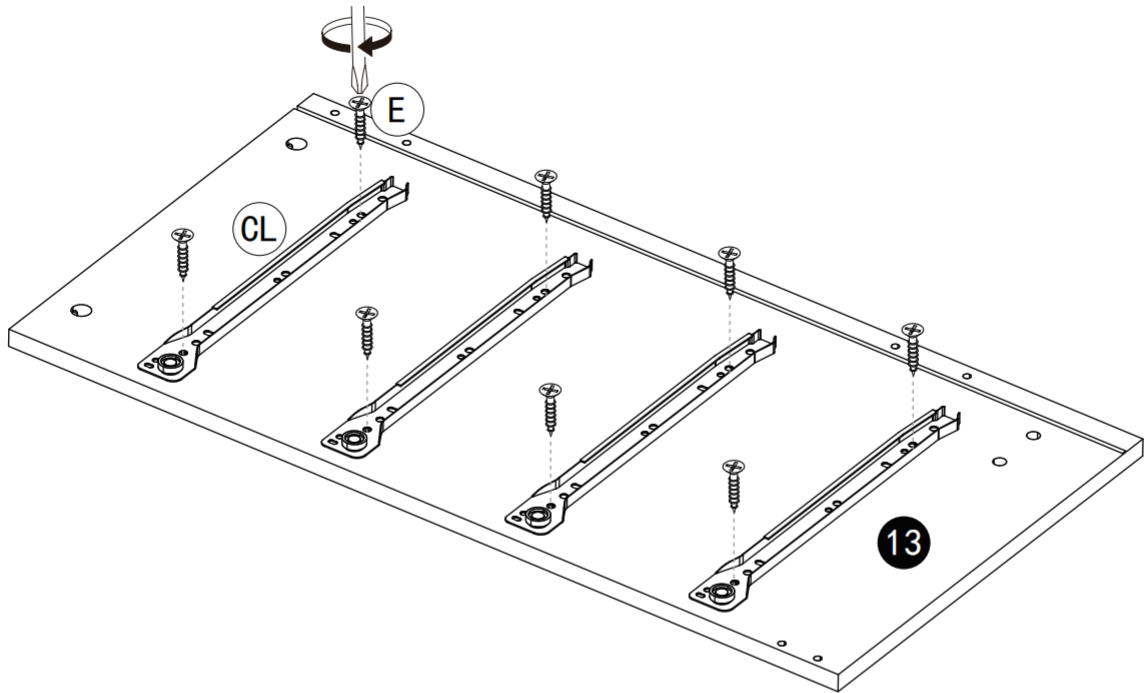
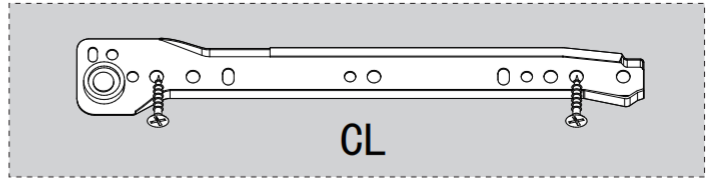
3



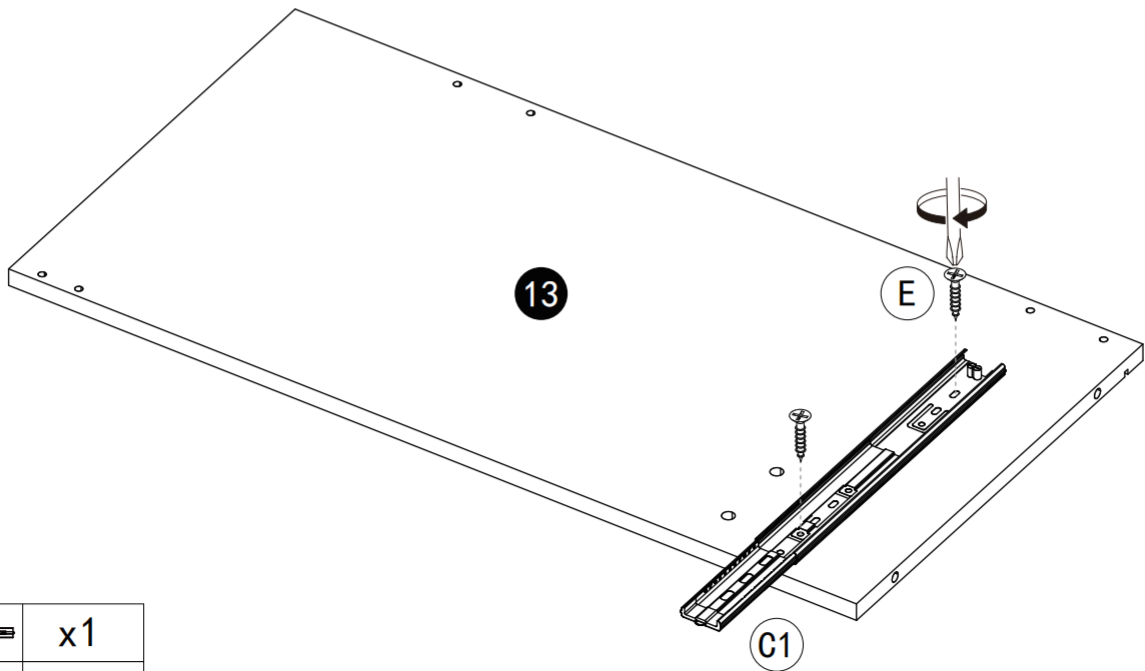
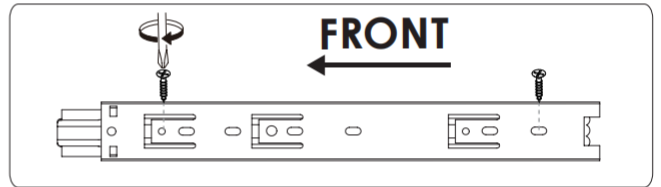
flip over






C1		x1
CR		x4
E		x10



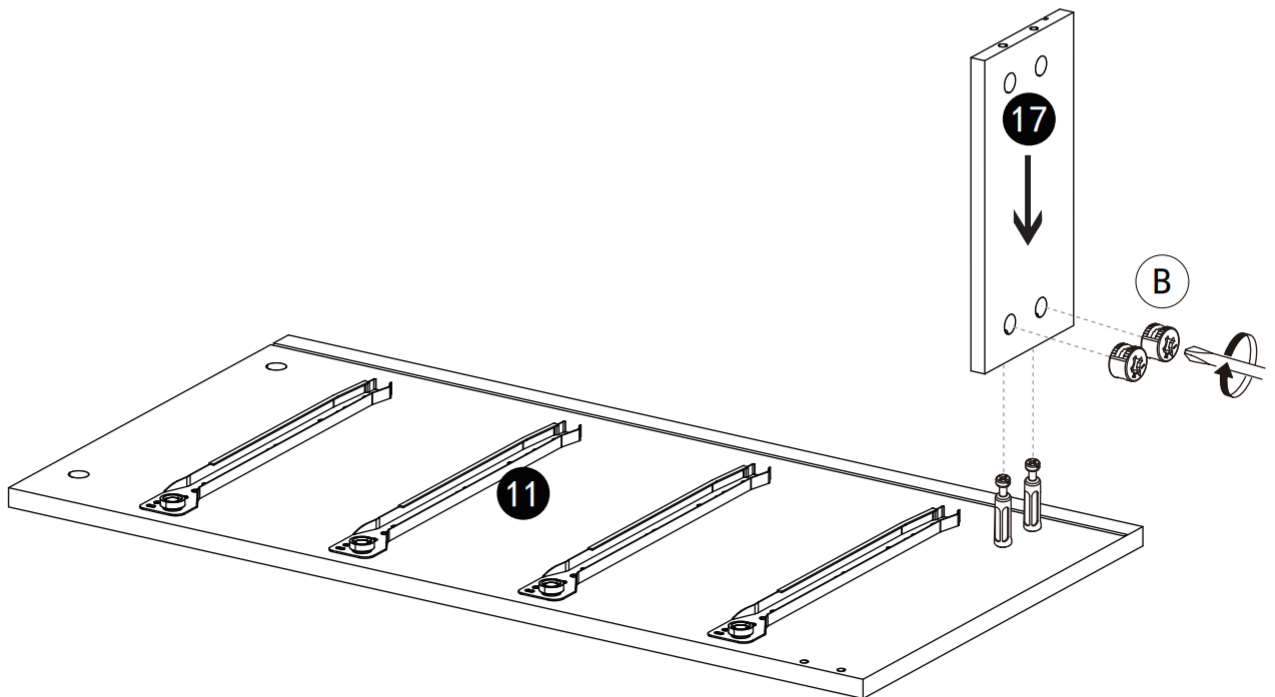
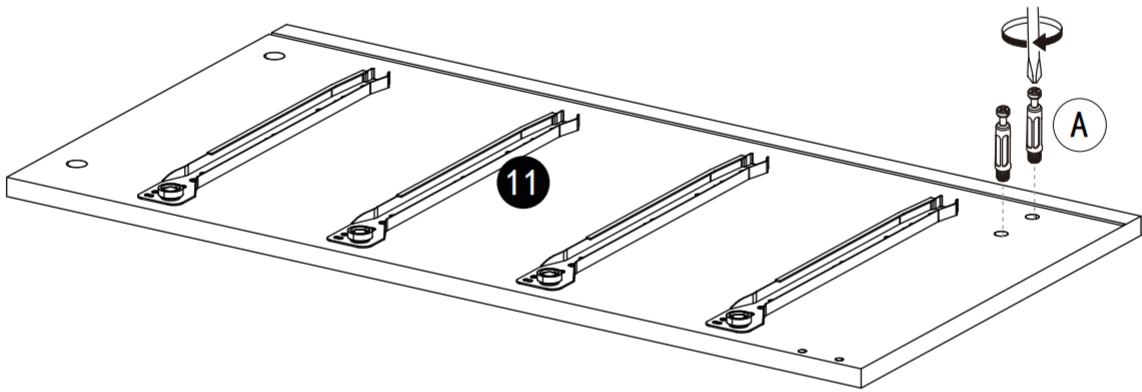
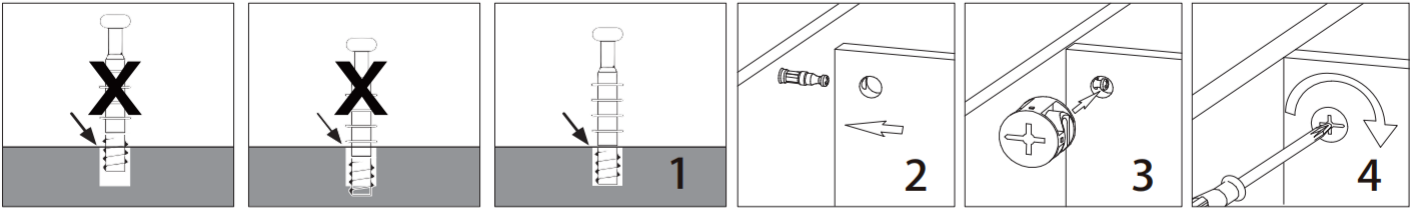
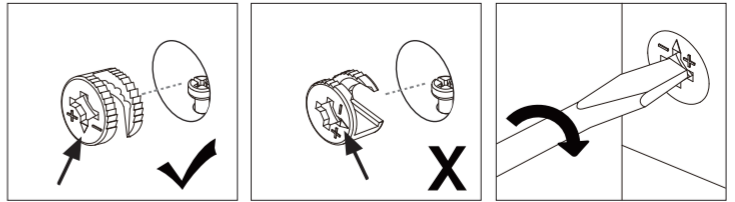

flip over





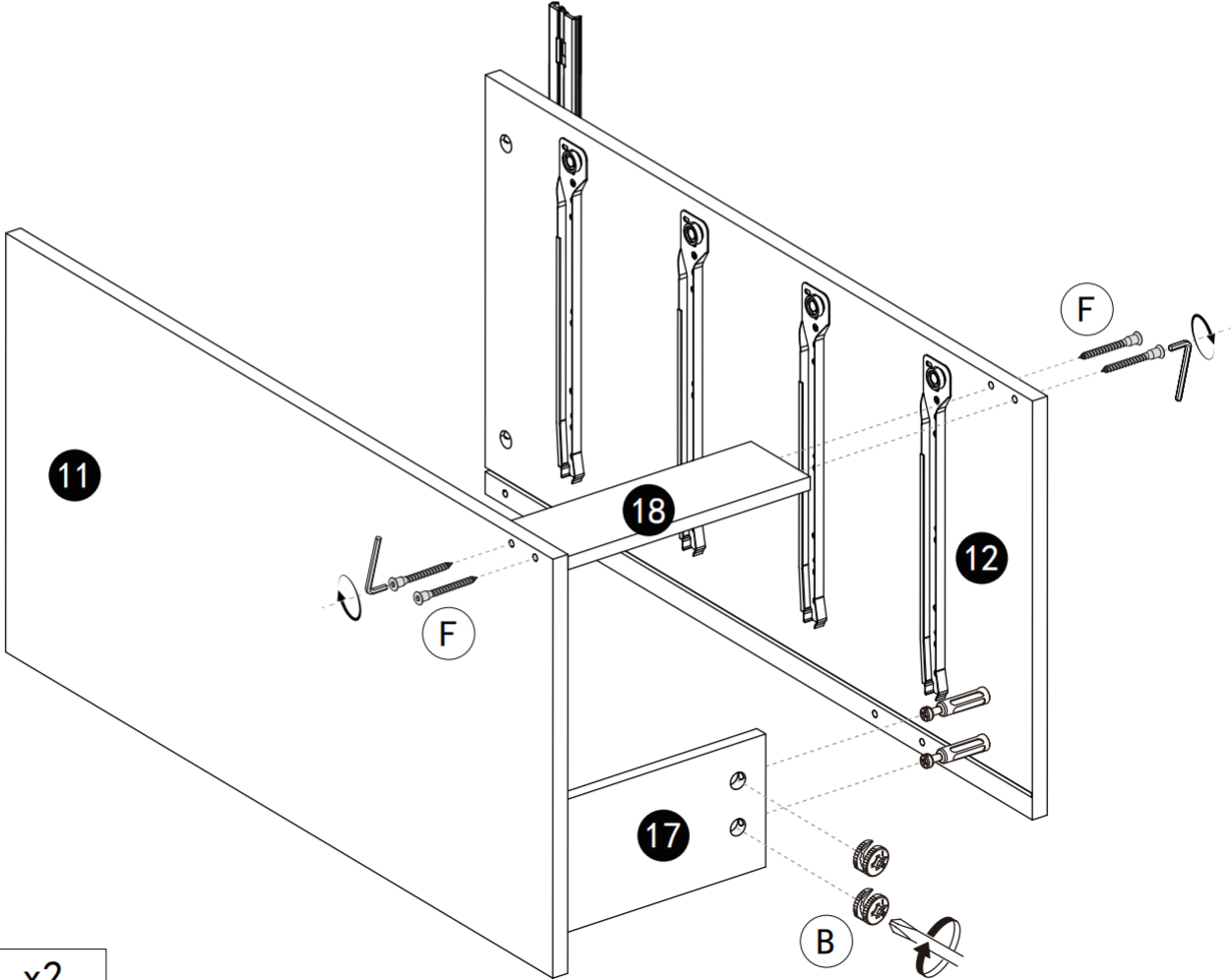
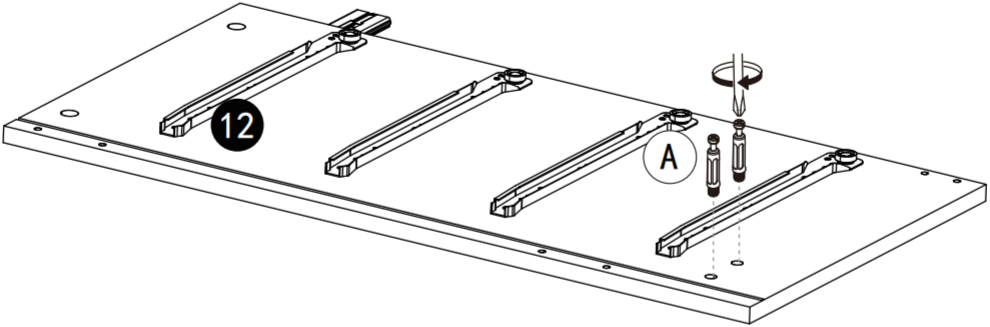
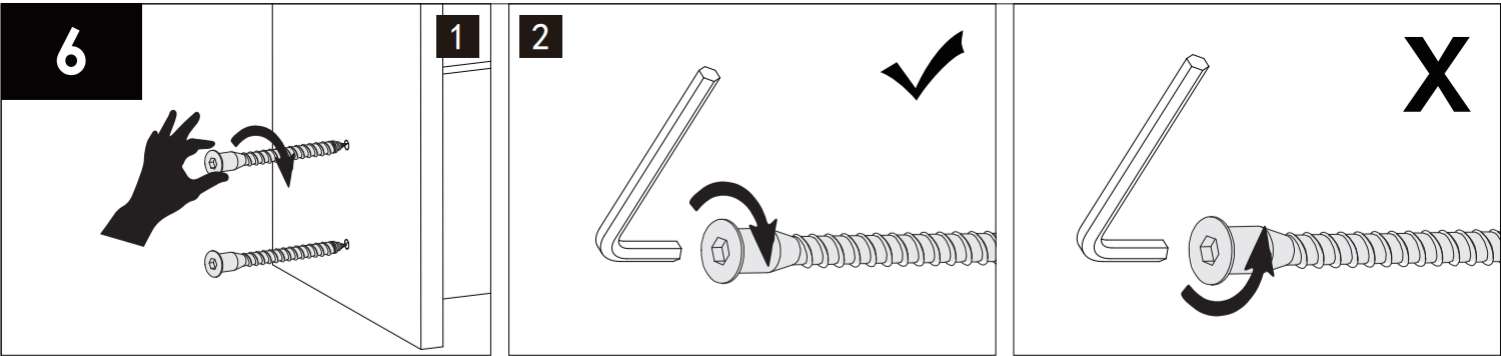
C1		x1
CL		x4
E		x10

5

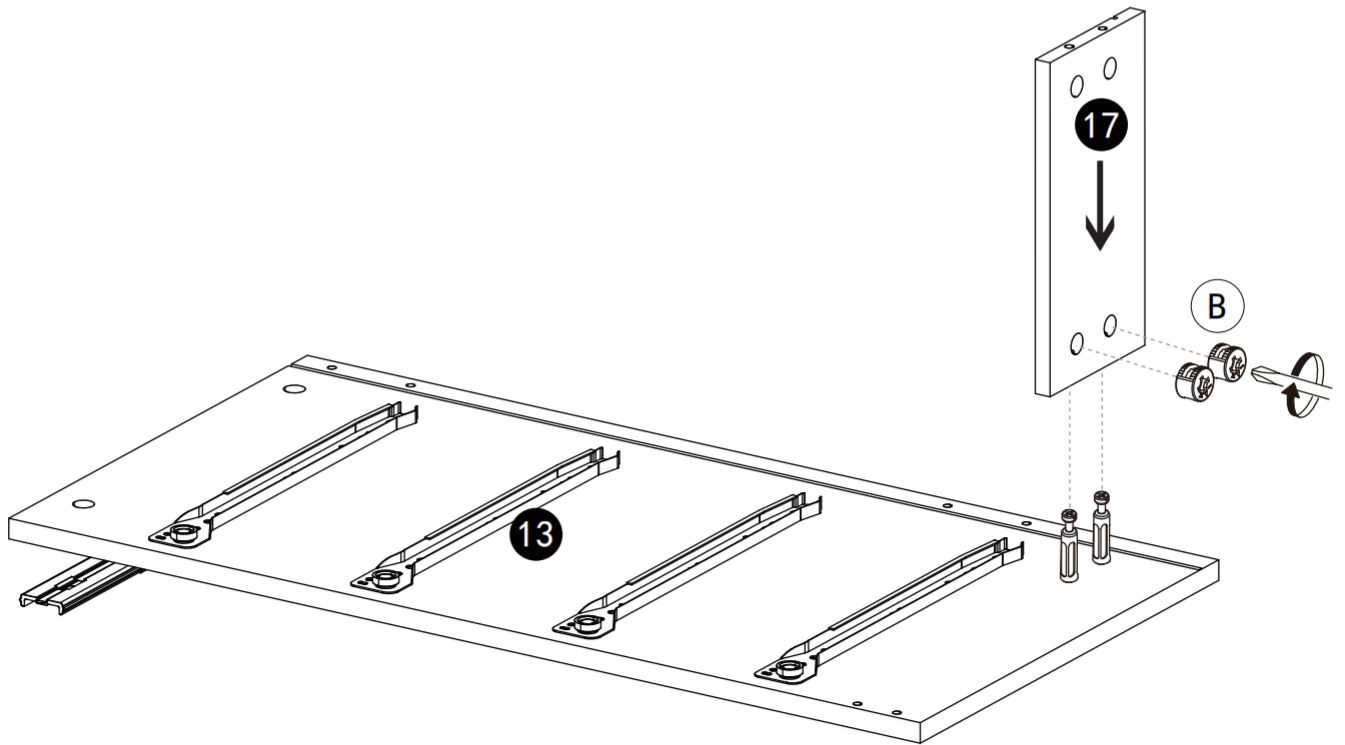
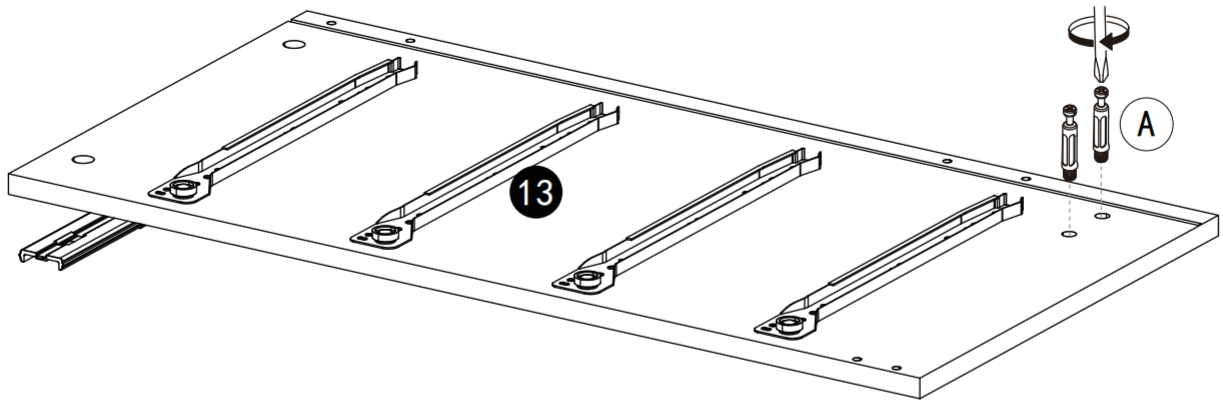
Installation method of three in one rod and buckle





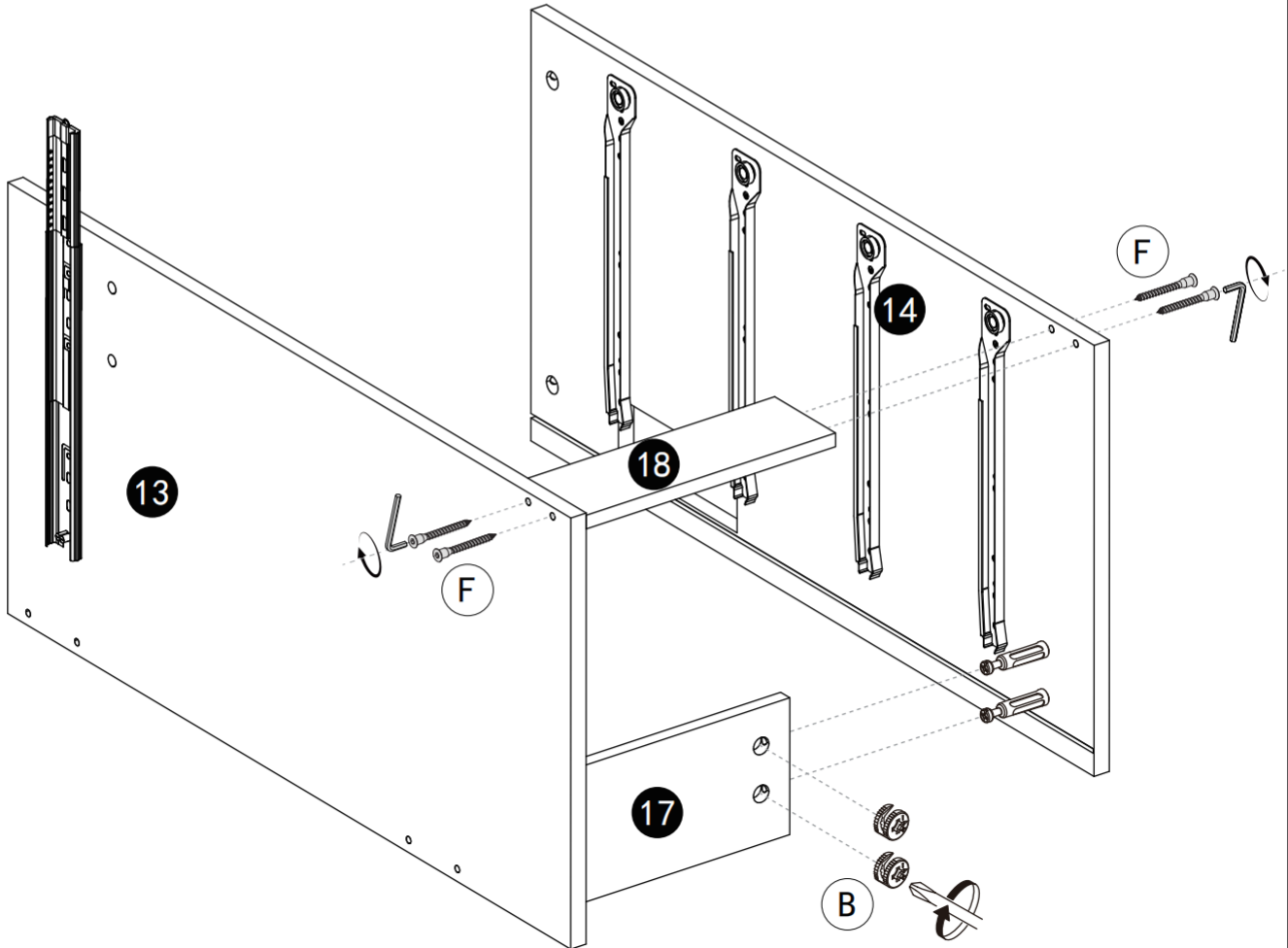
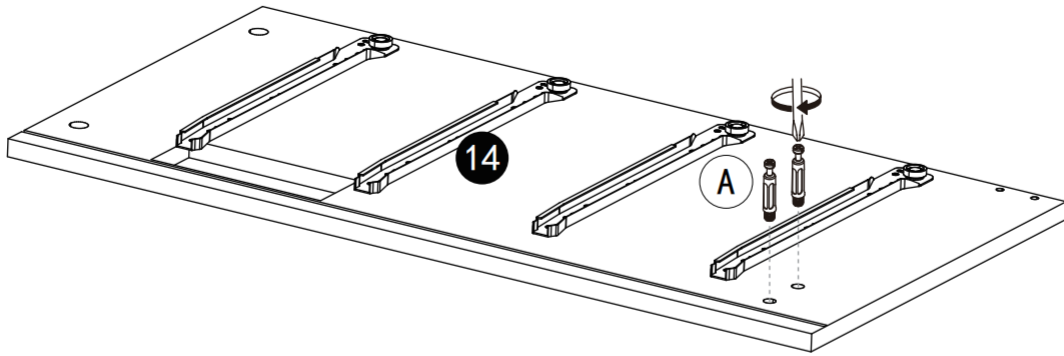
A		x2
B		x2






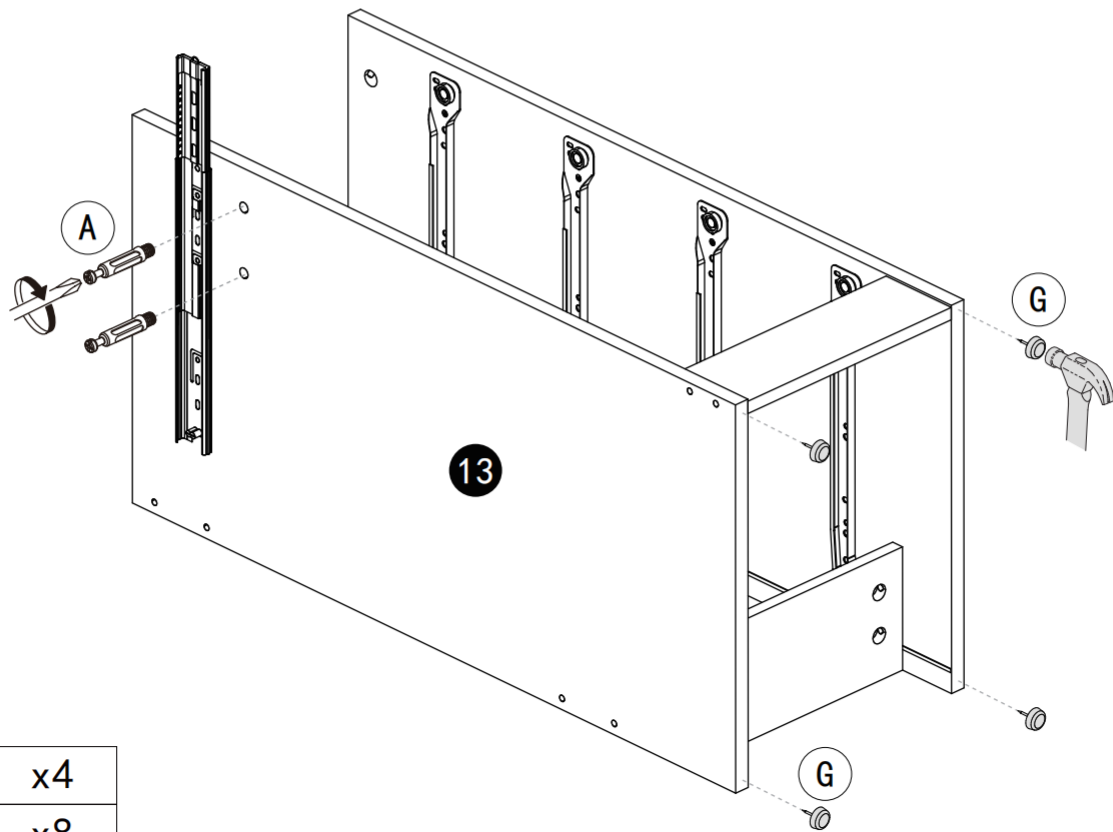
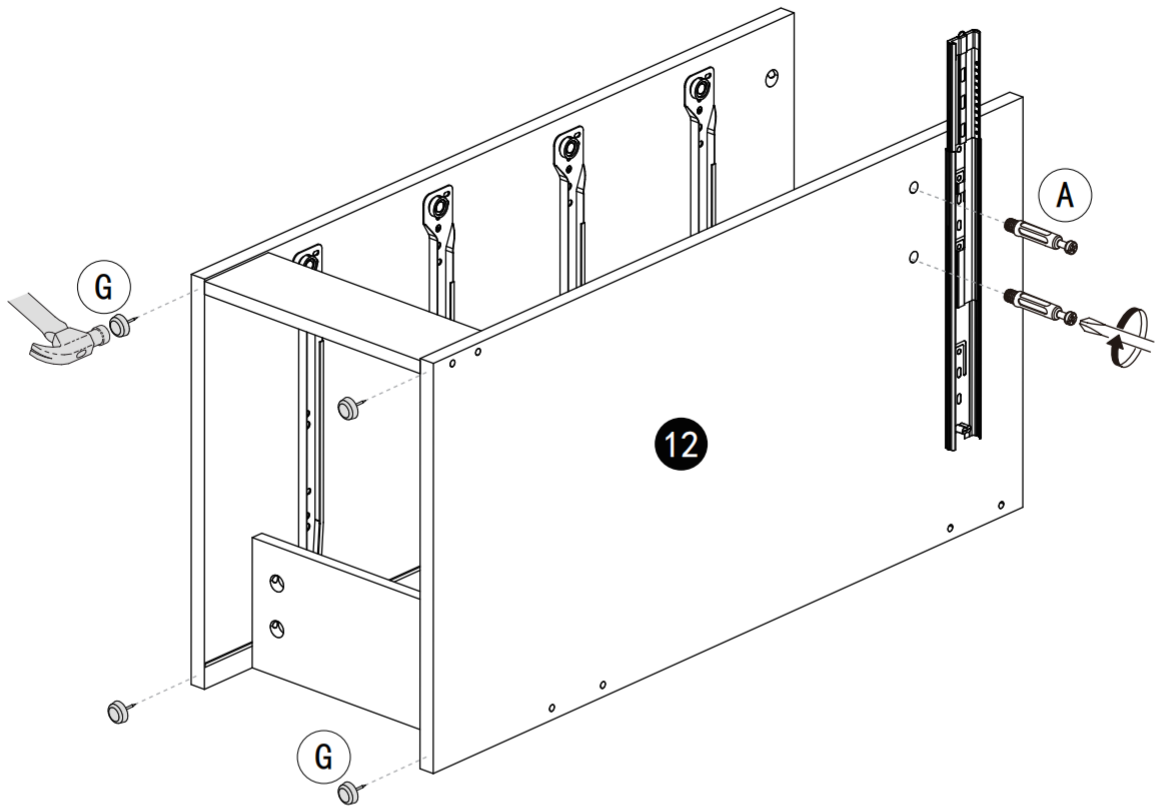
A		x2			
B		x2	F		x4





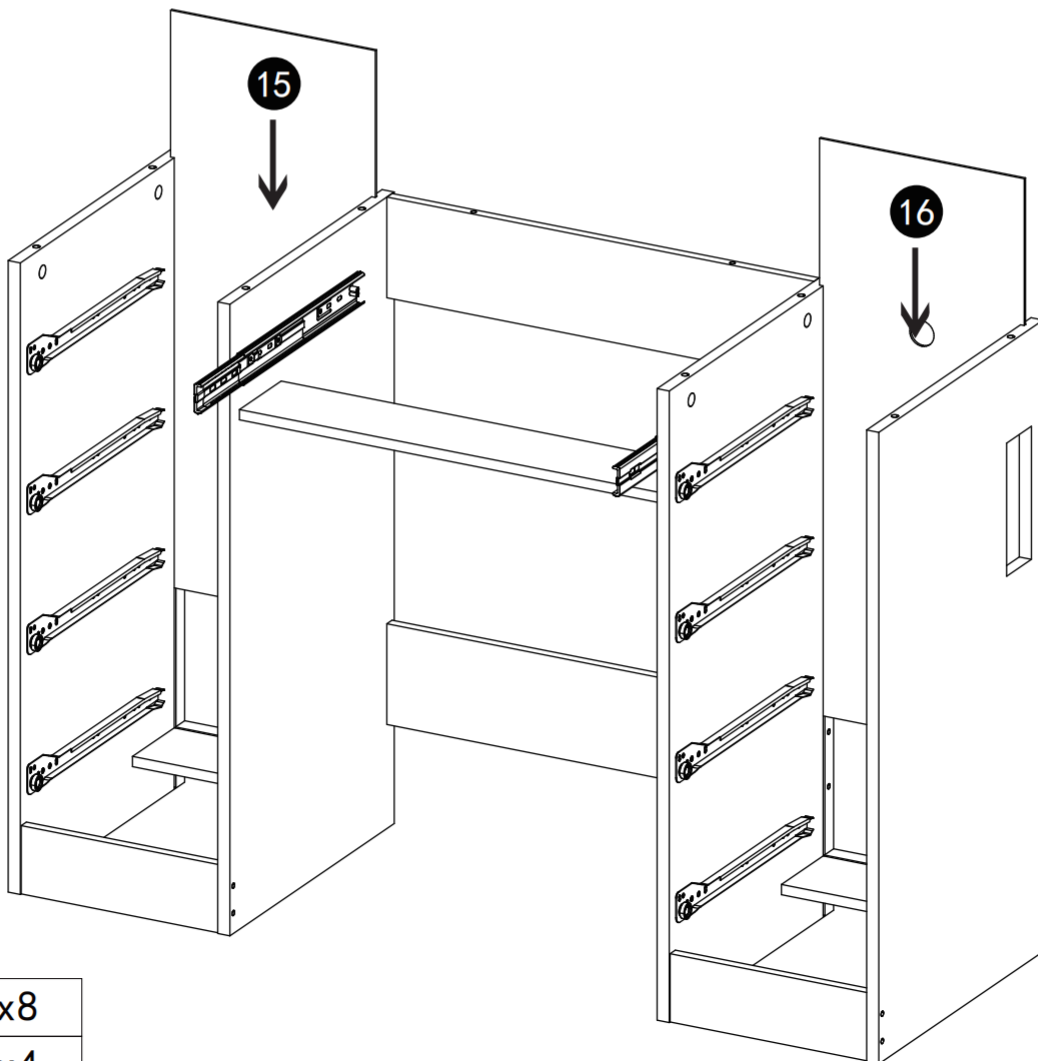
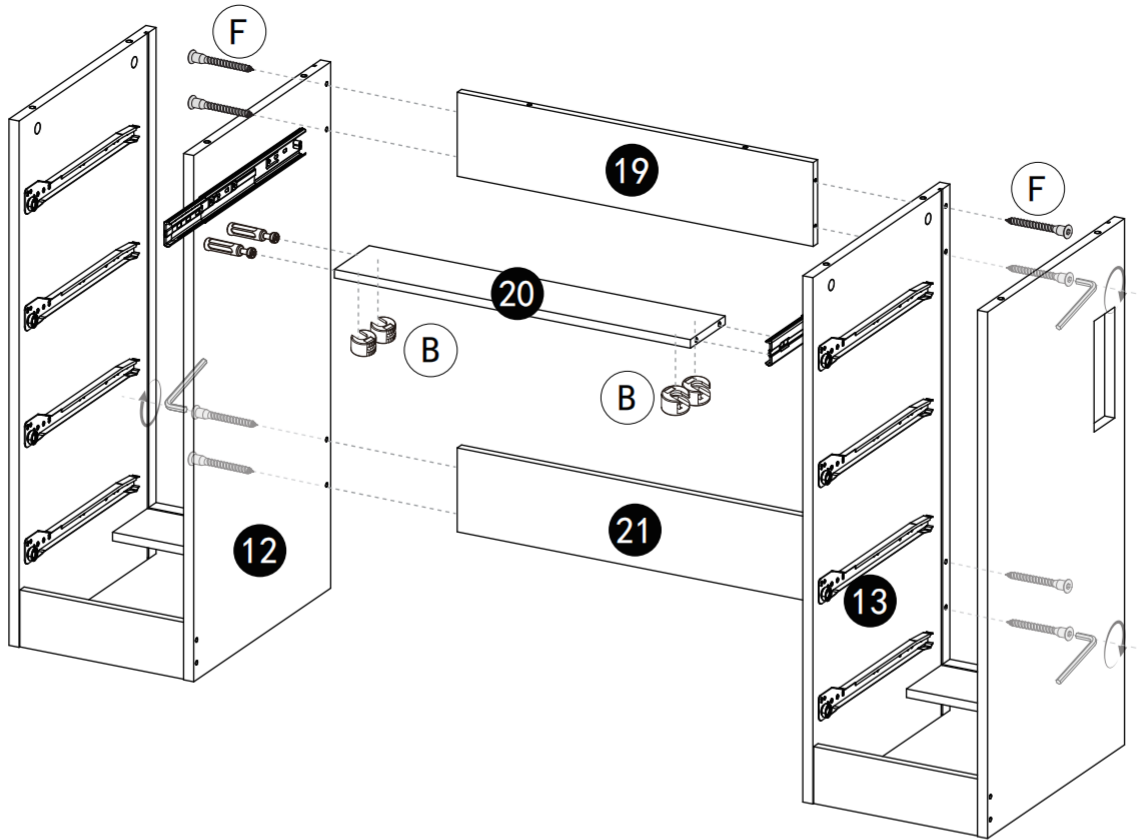
A		x2
B		x2





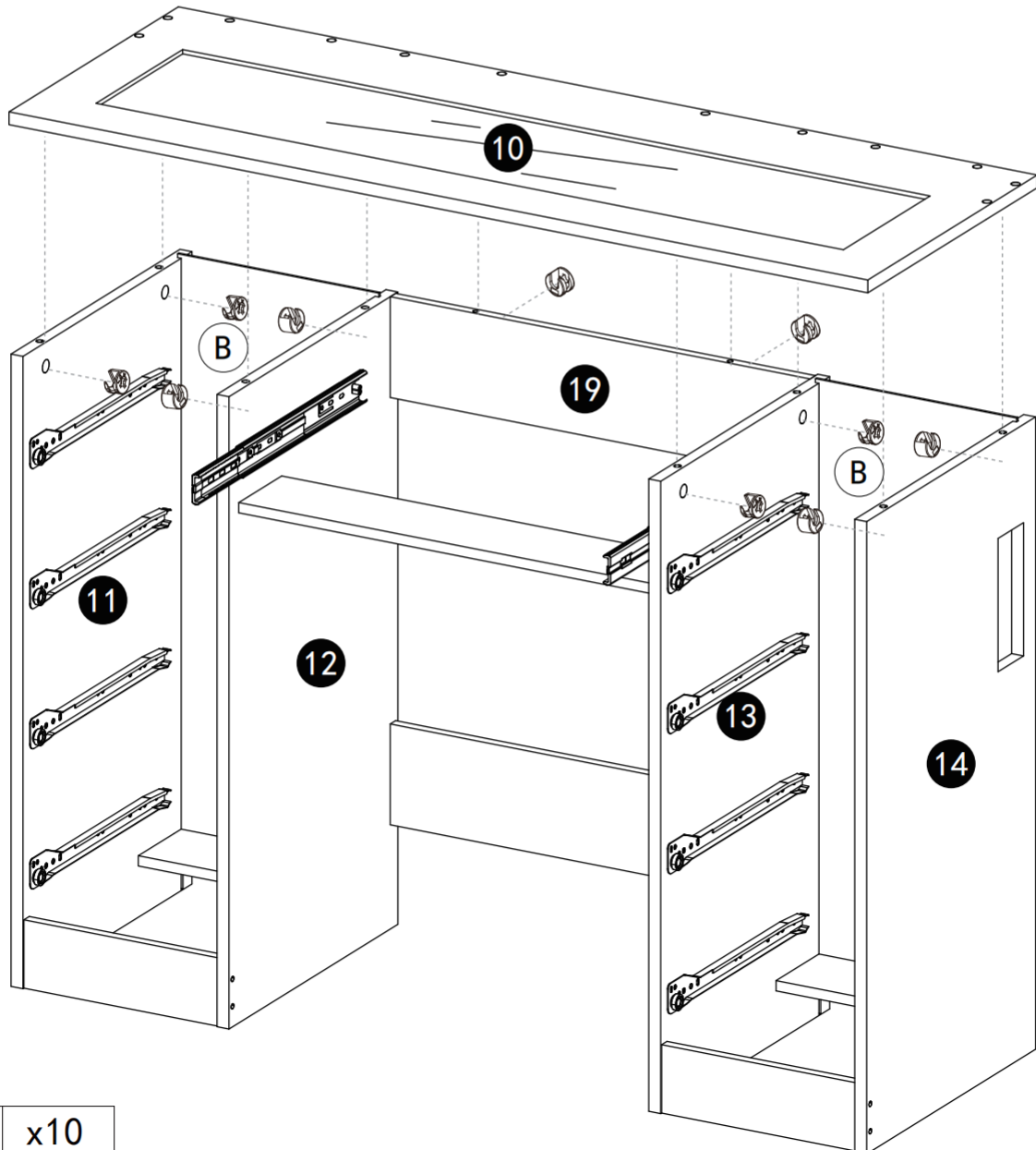
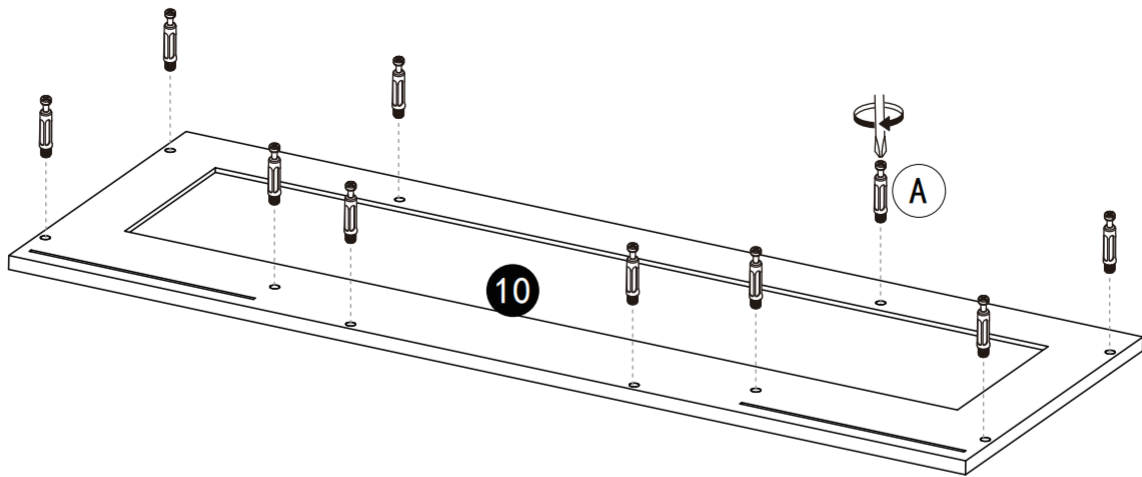
A		x2			
B		x2	F		x4





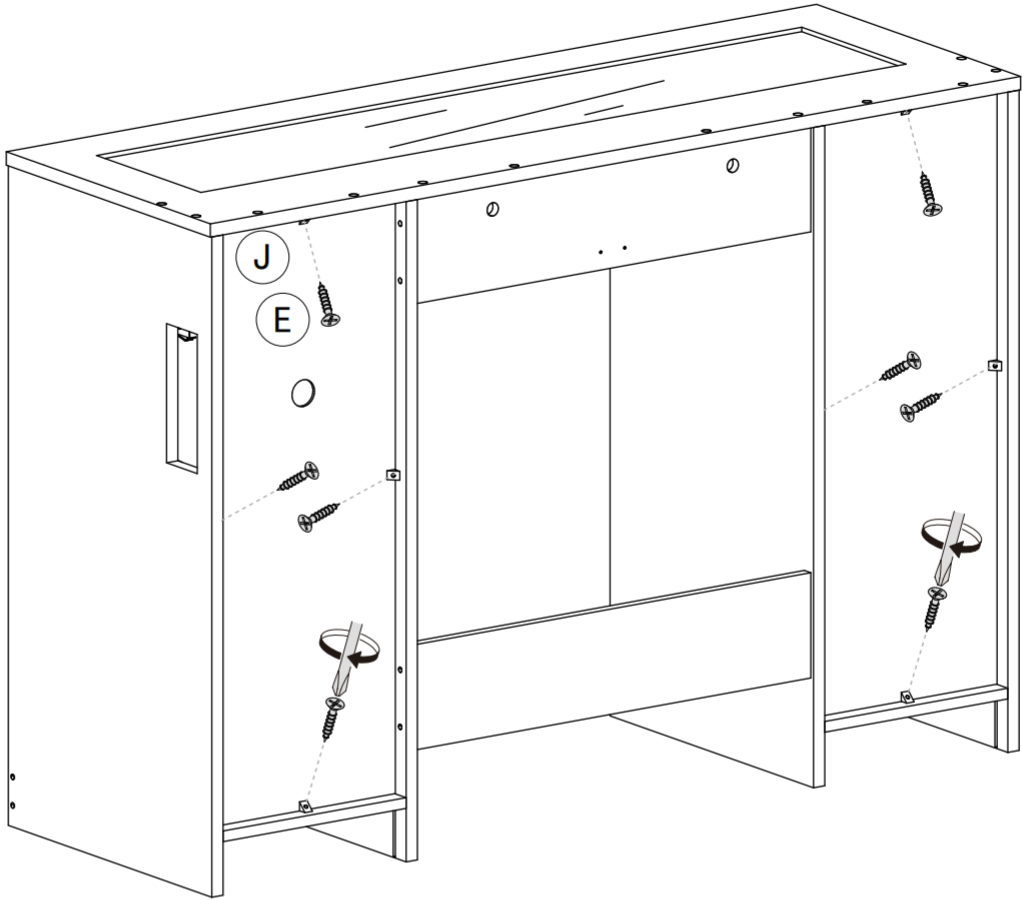
A		x4
G		x8





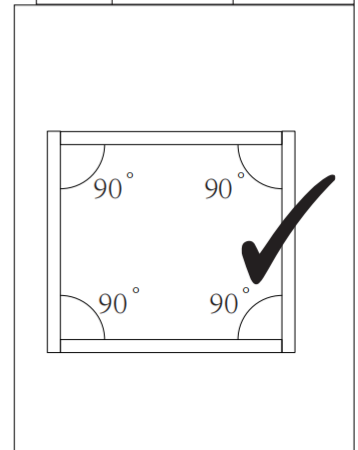
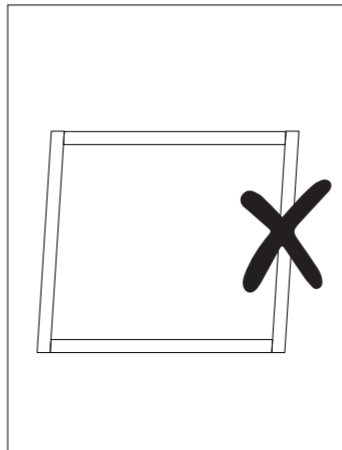
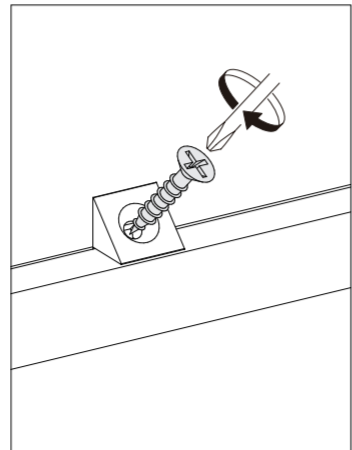
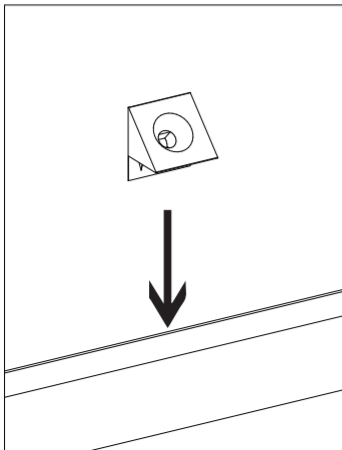
F		x8
B		x4

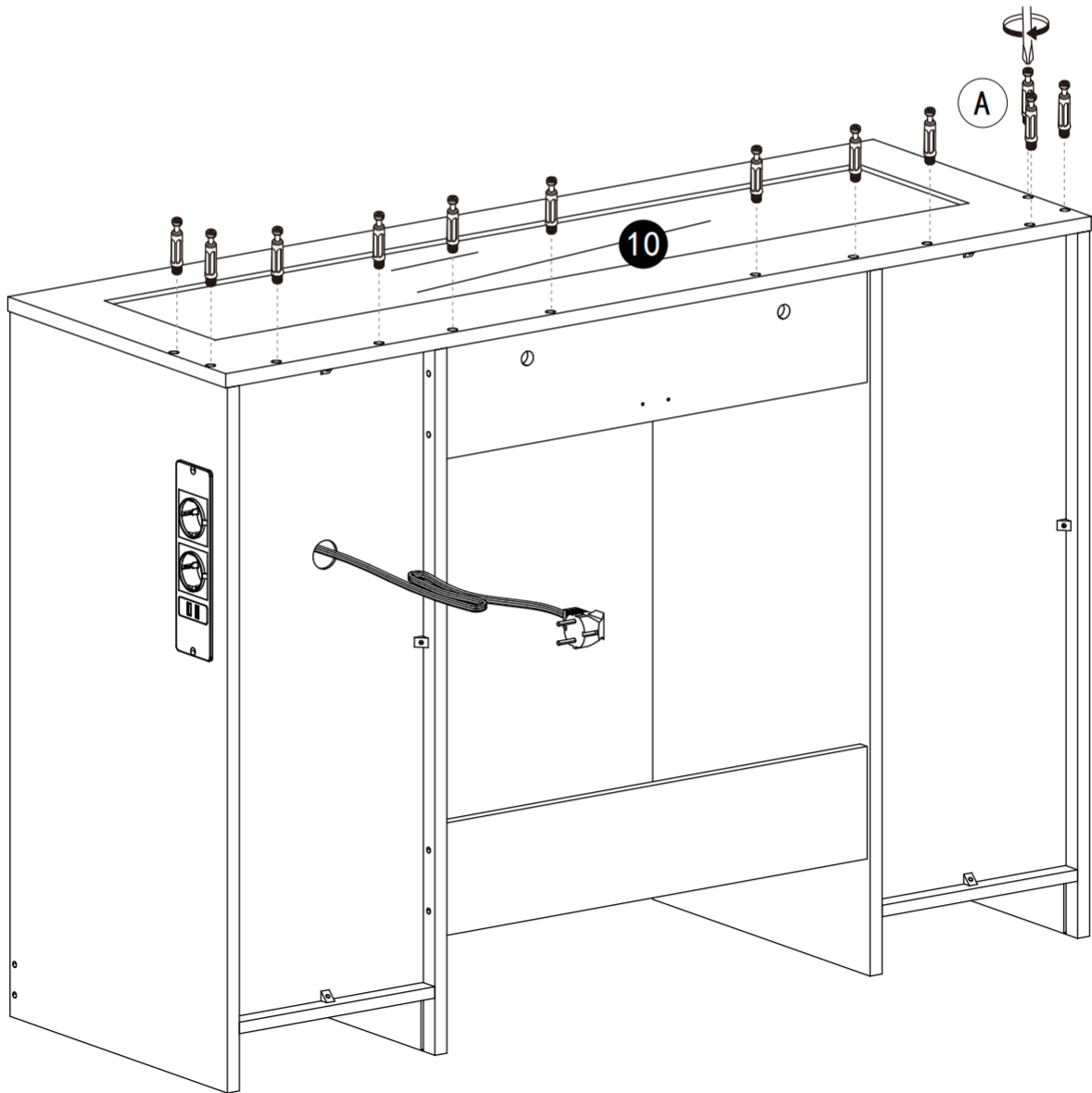
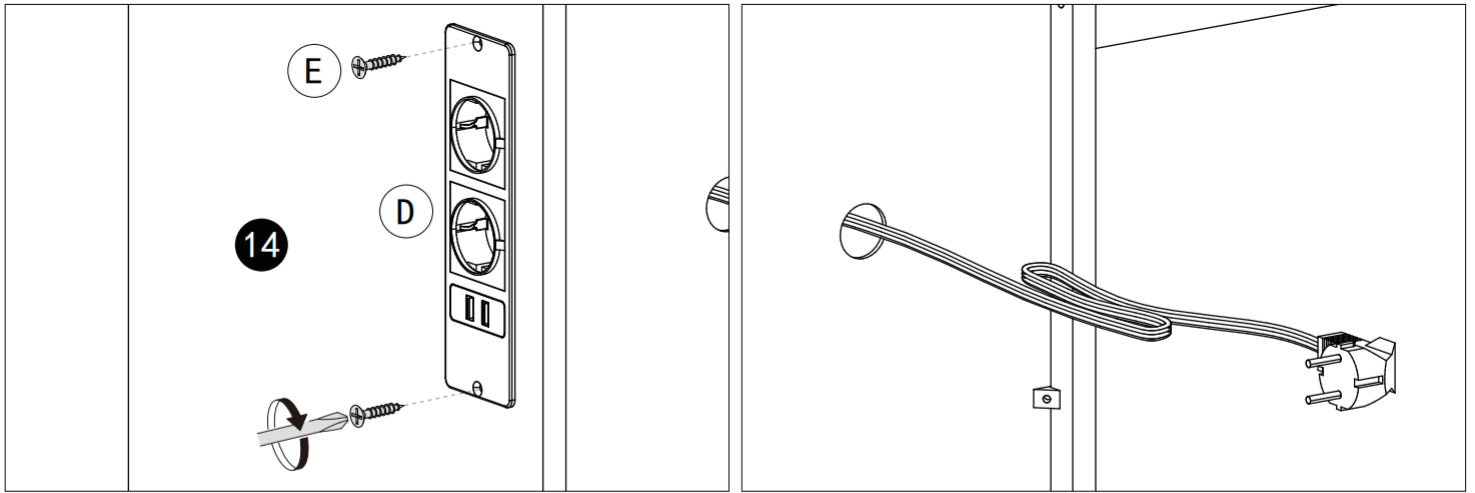



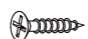

A		x10
B		x10

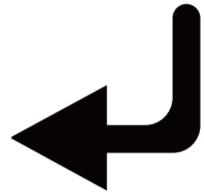
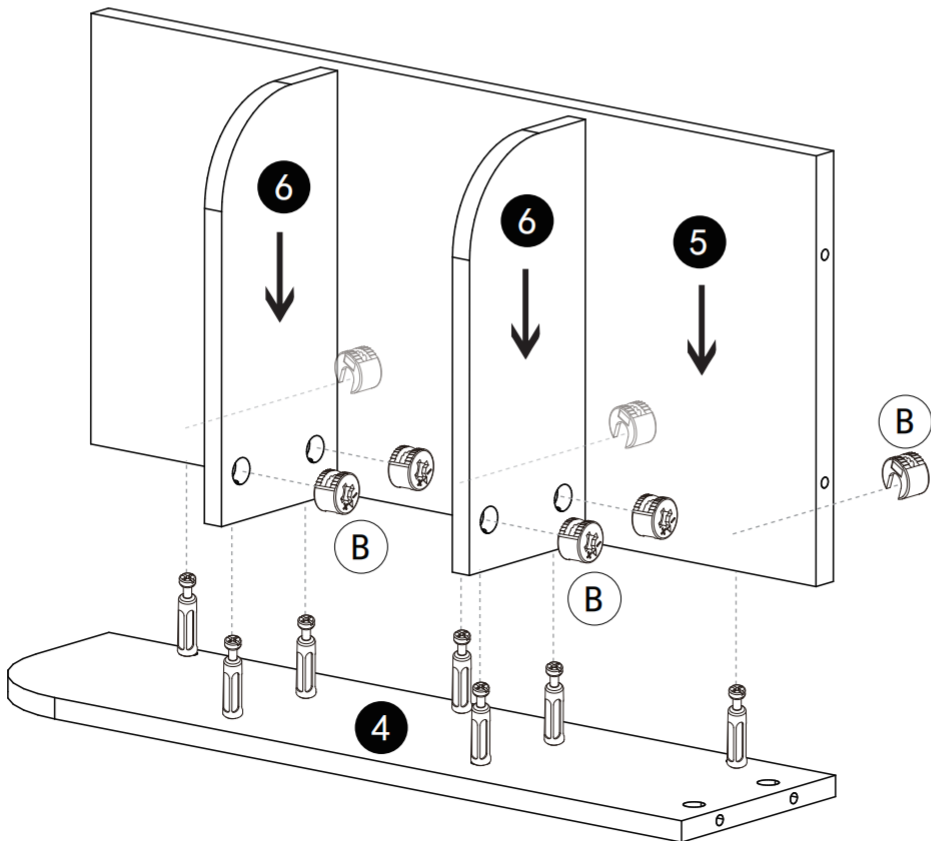
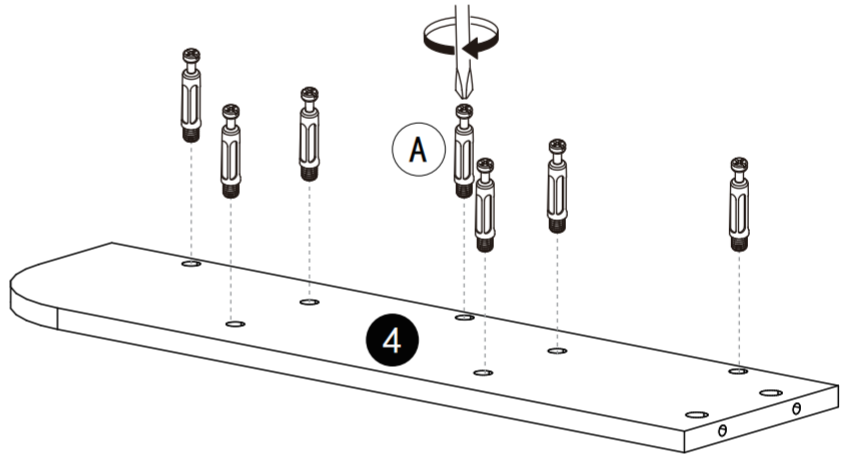
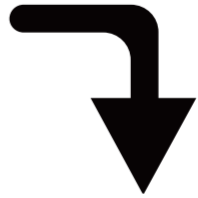
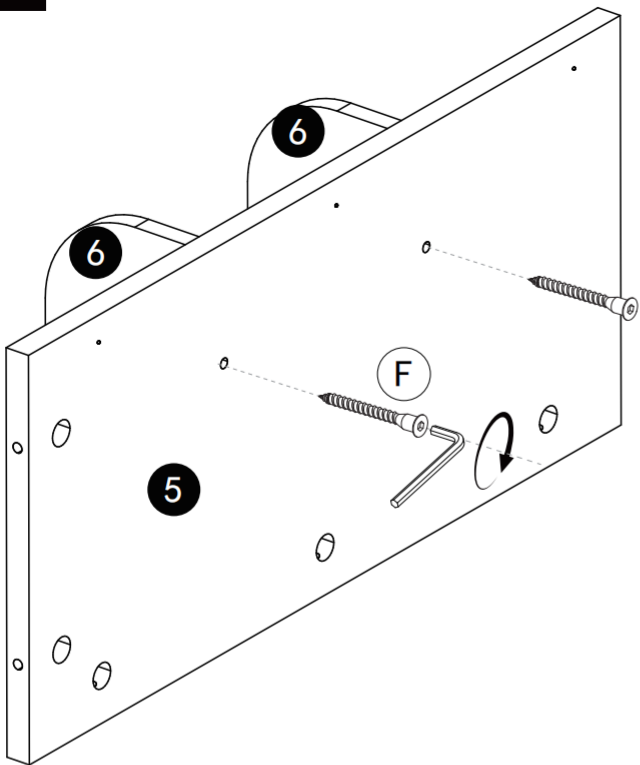


J		x8
E		x8

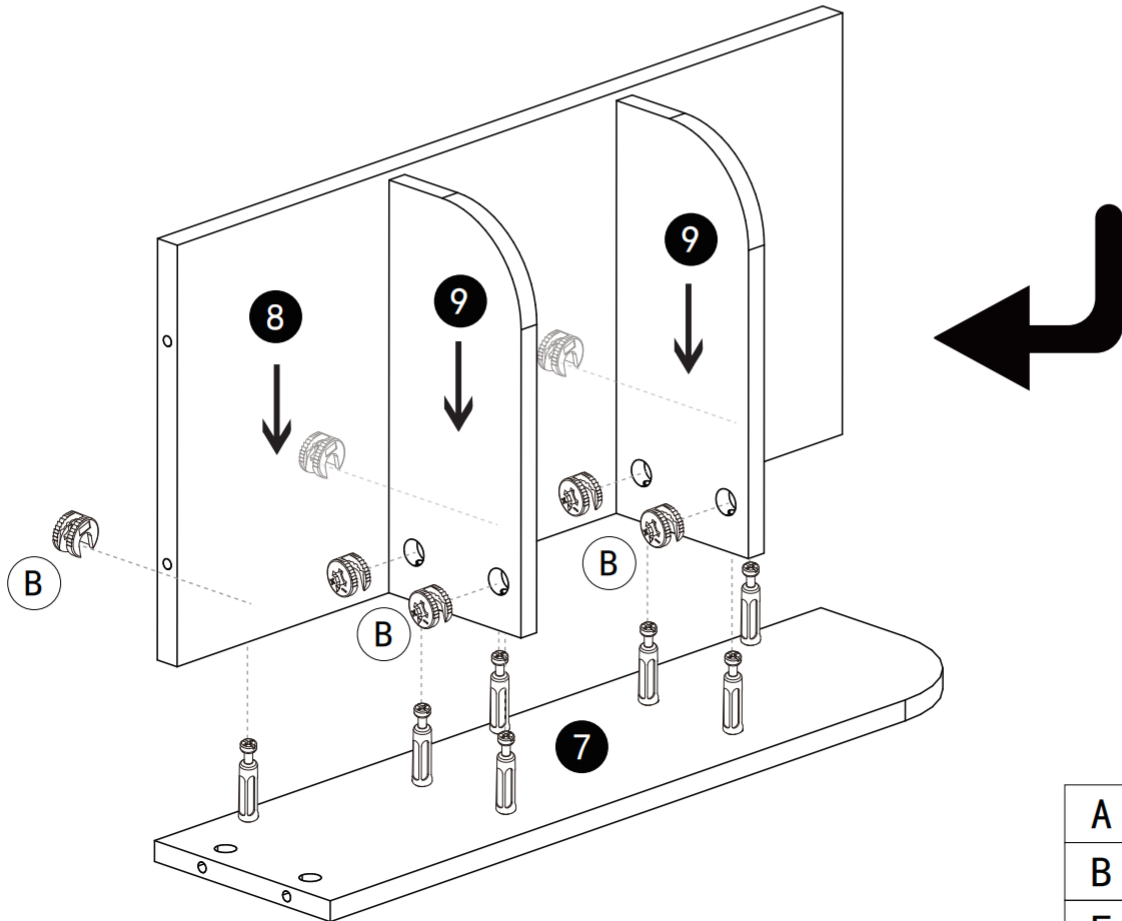
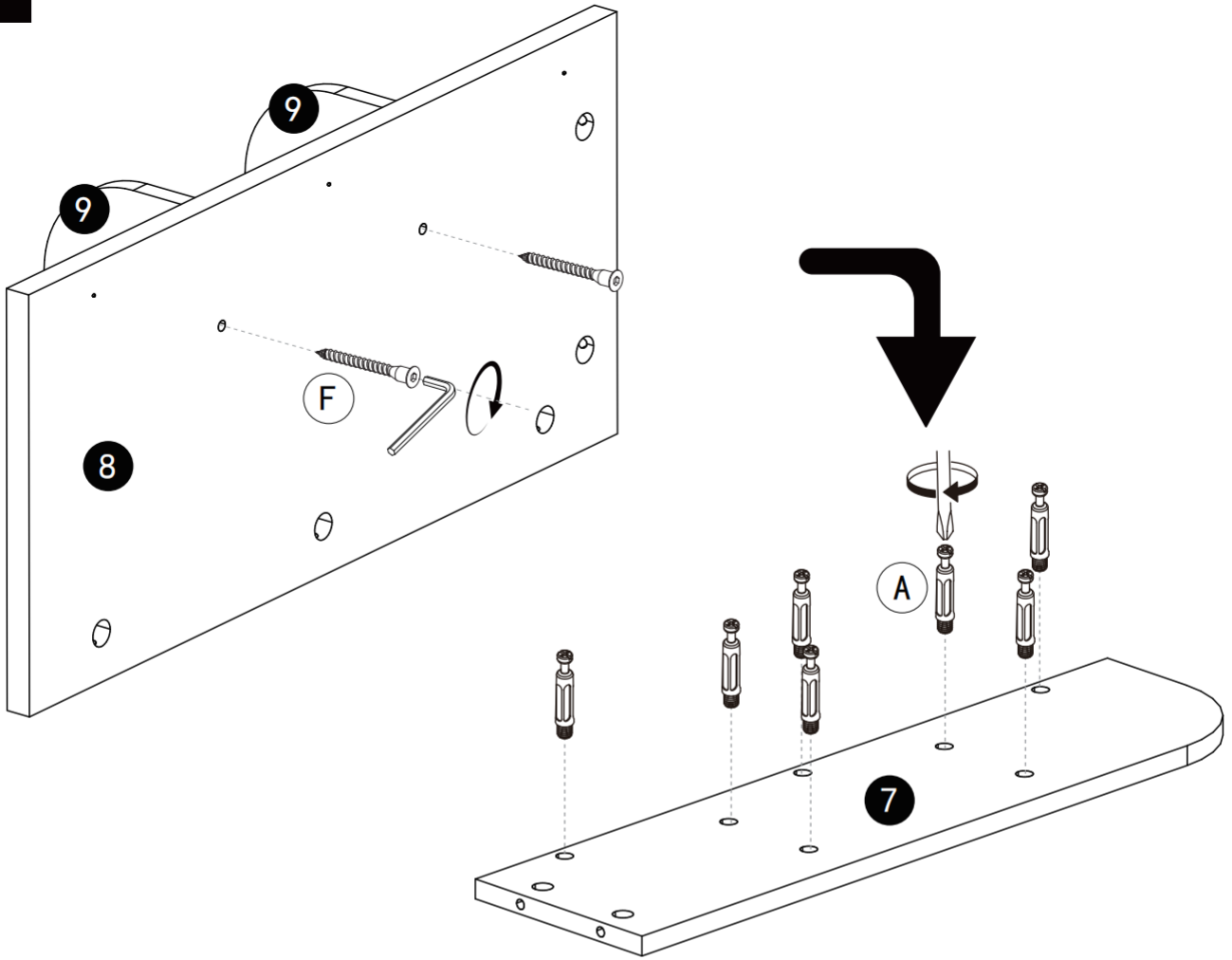







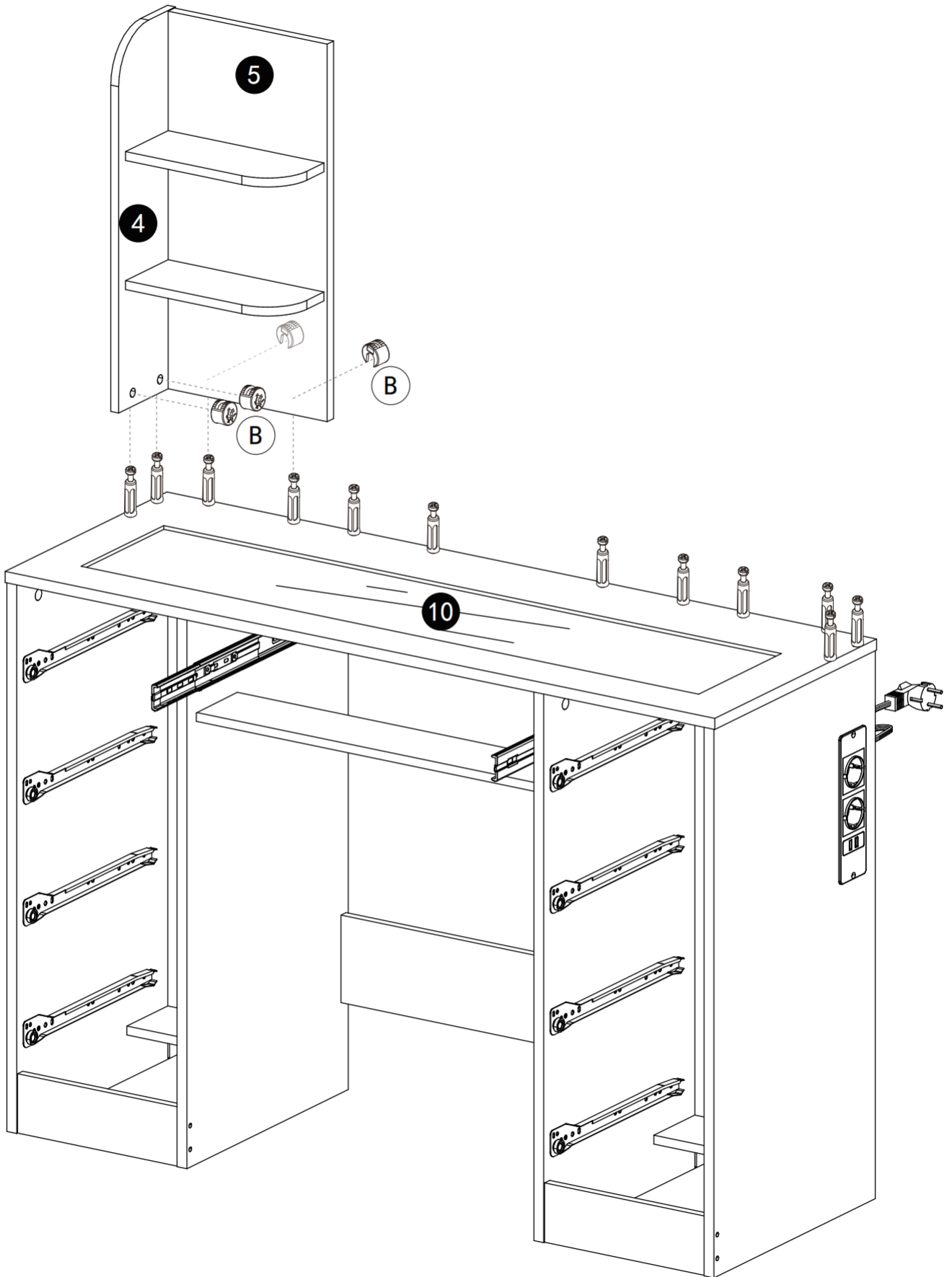
A		x12
E		x2
D		x1



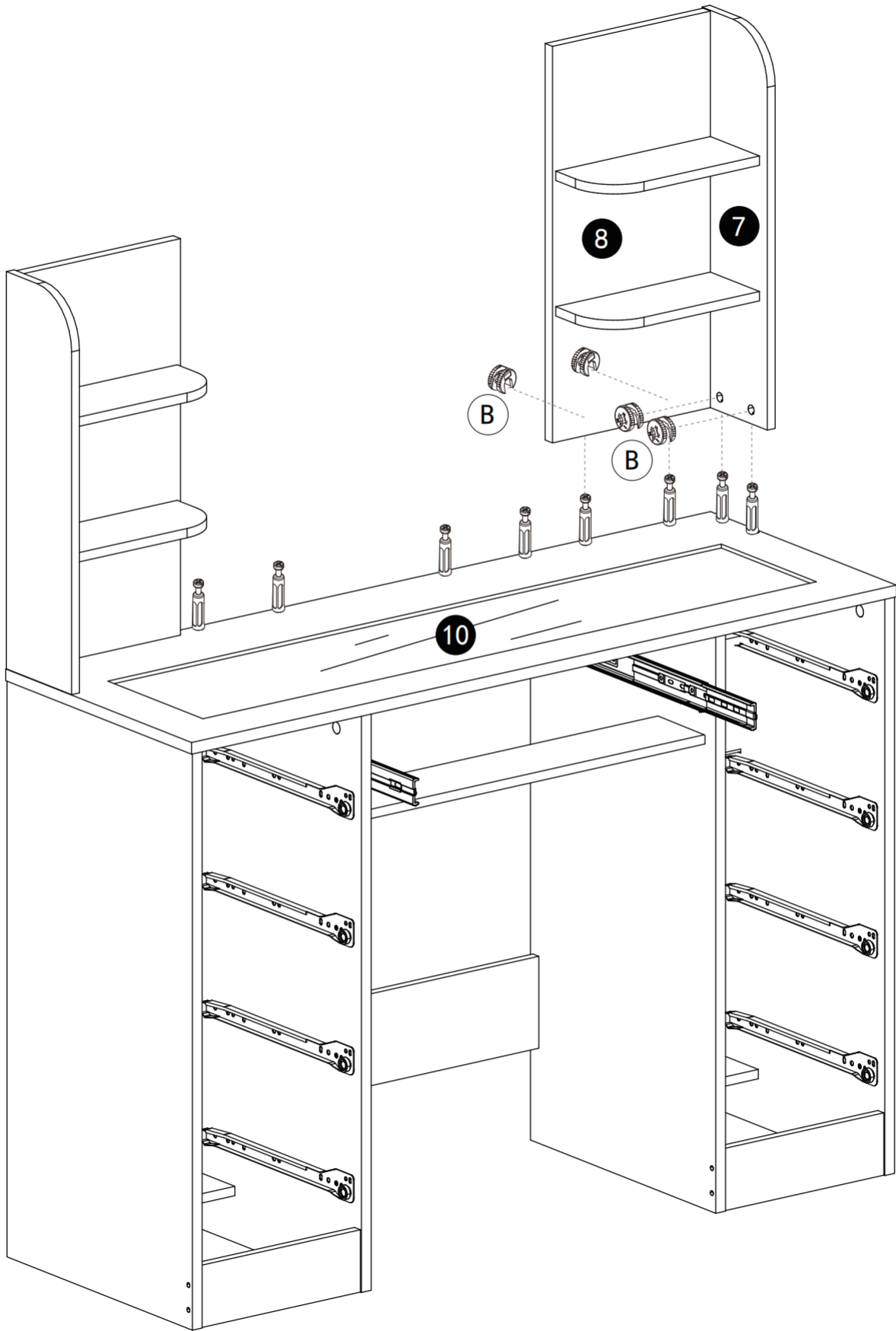
A		x7
B		x7
F		x2



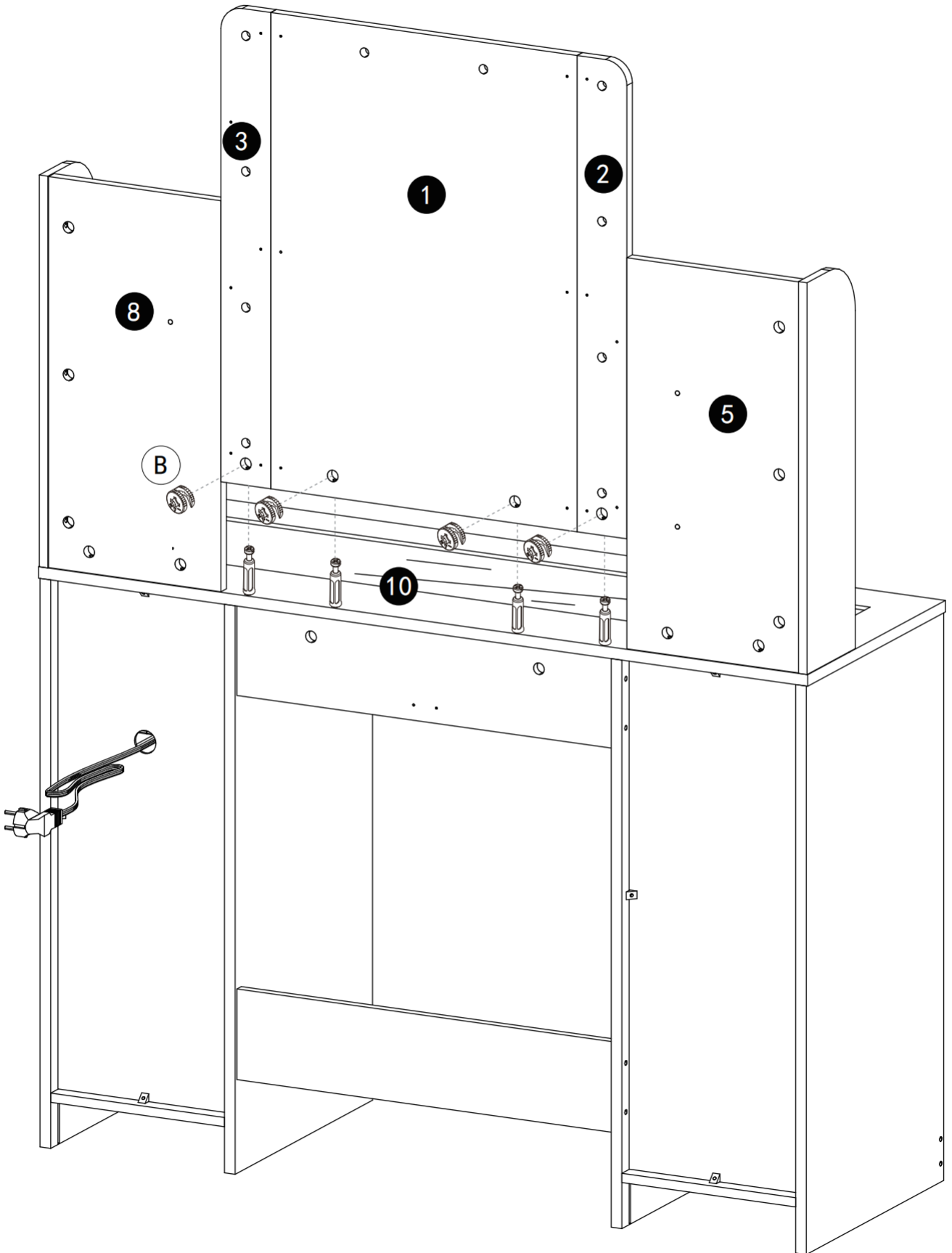
A		x7
B		x7
F		x2



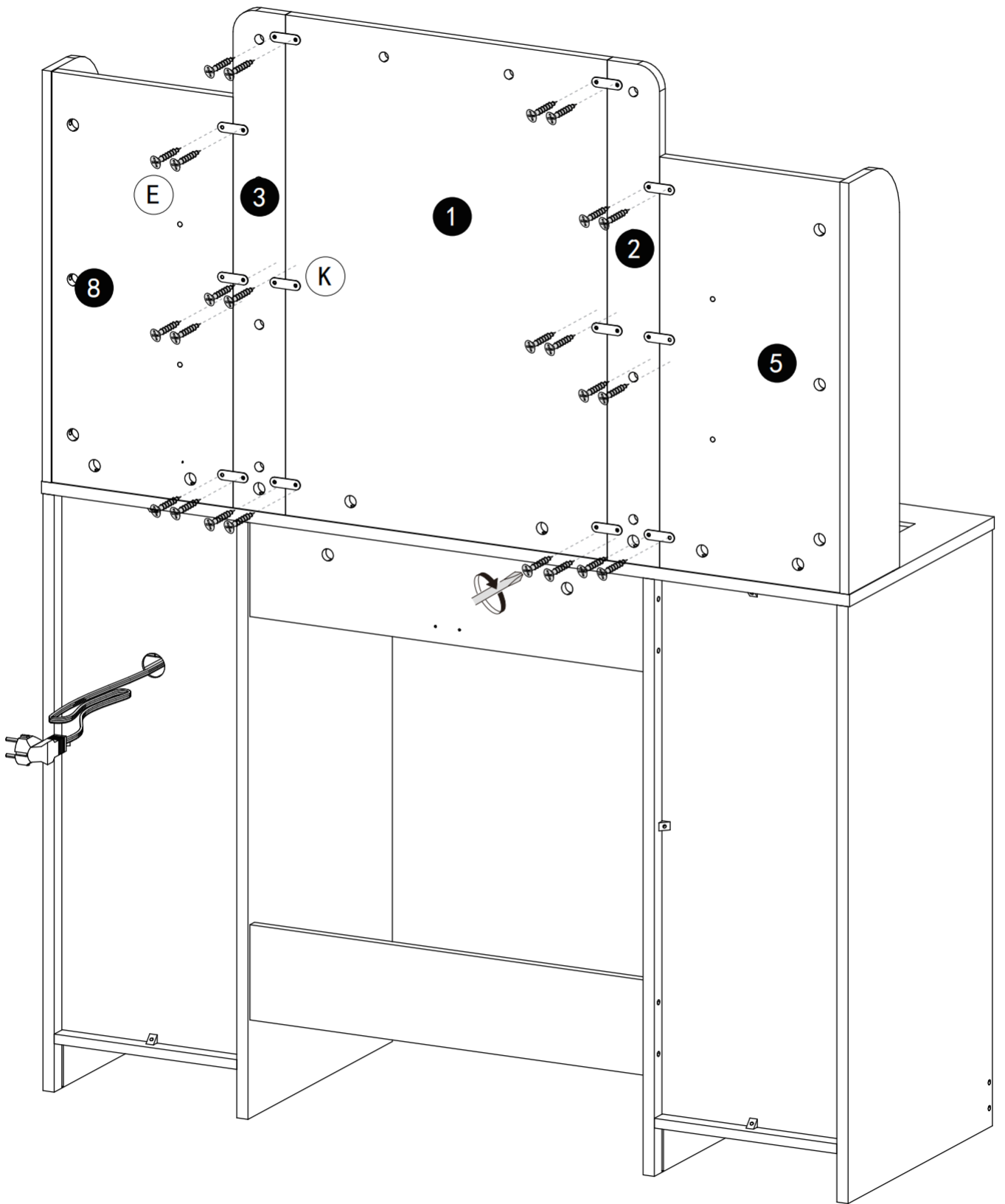
B		x4
---	-------------------------------------------------------------------------------------	----


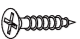


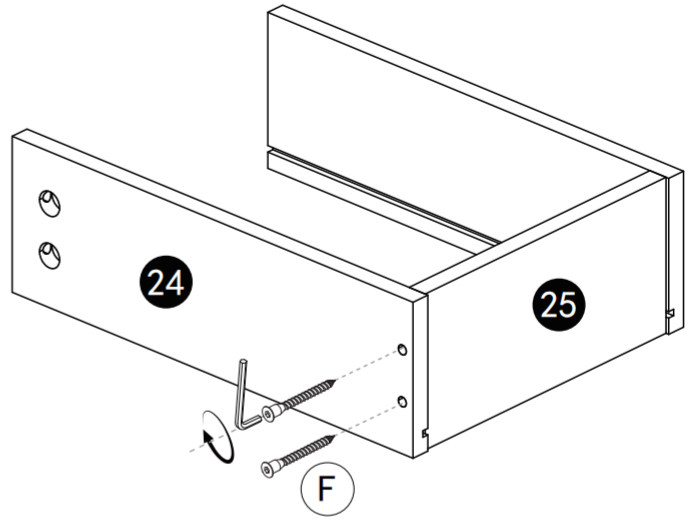
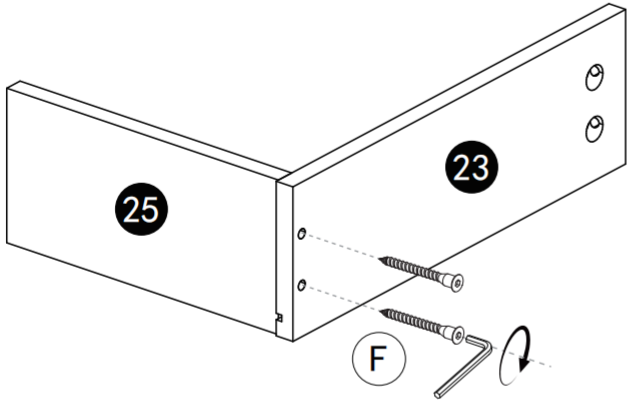
B		x4
---	---------------------------------------------------------------------------------------	----



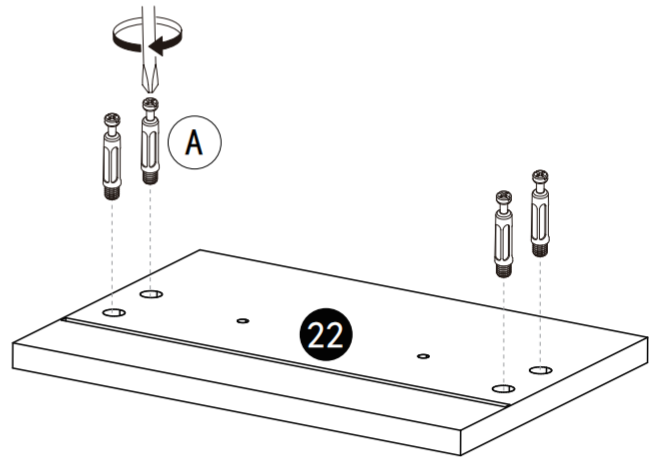
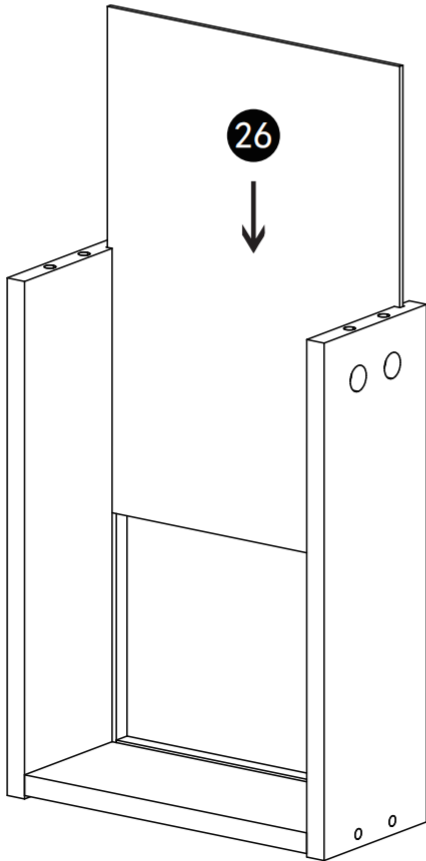
B  x4





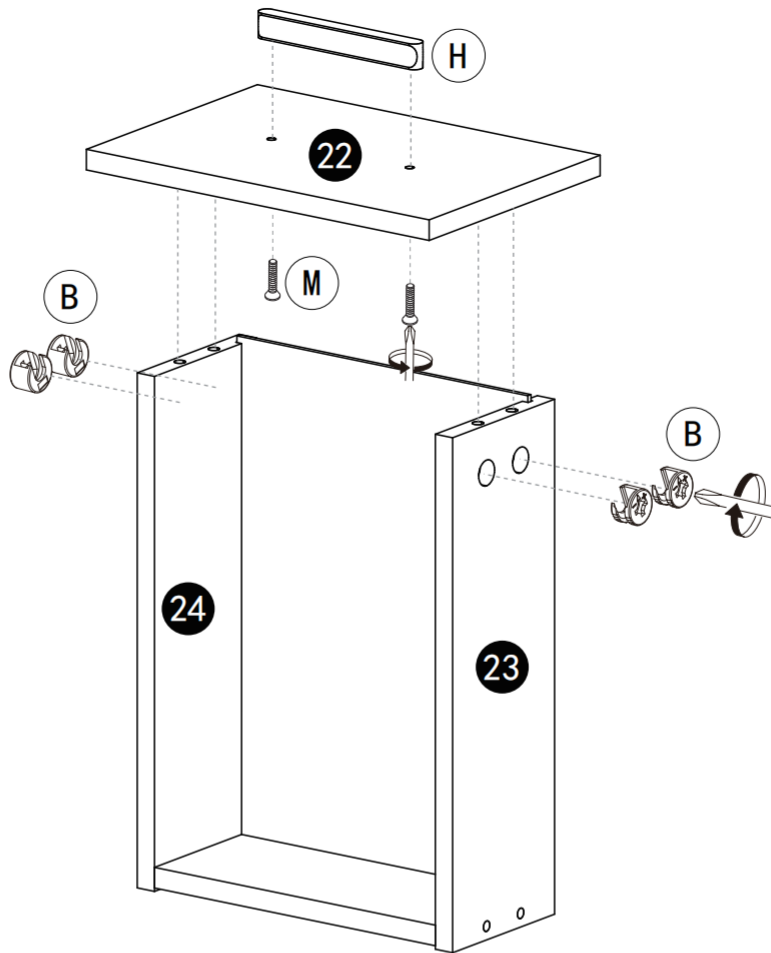
K		x12
E		x24



X8

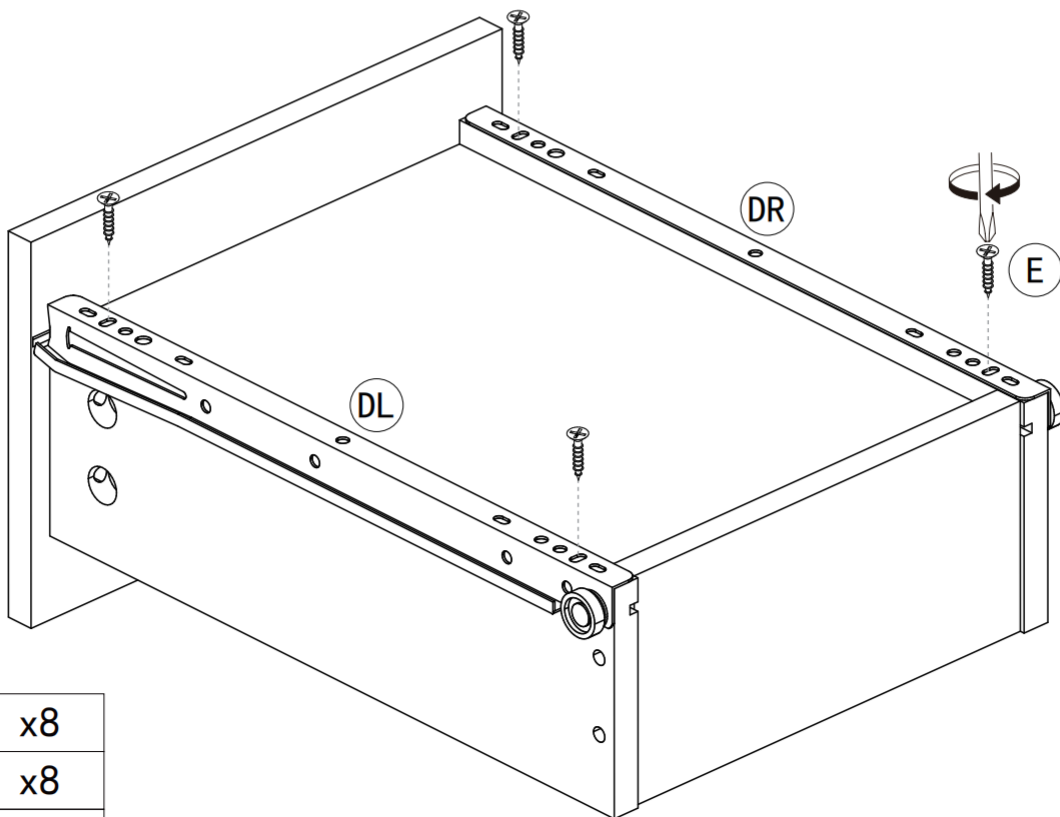
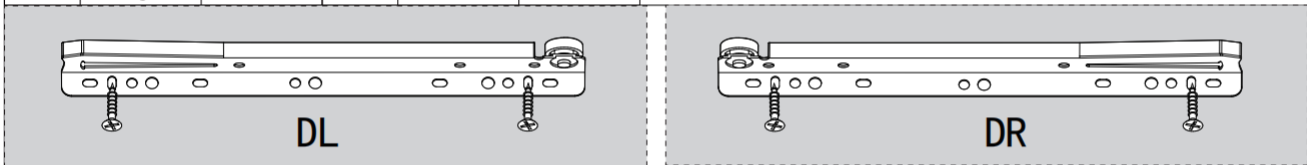


A		x32
F		x32

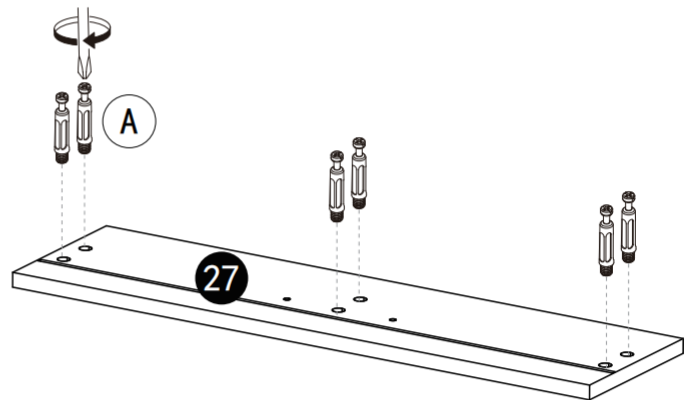
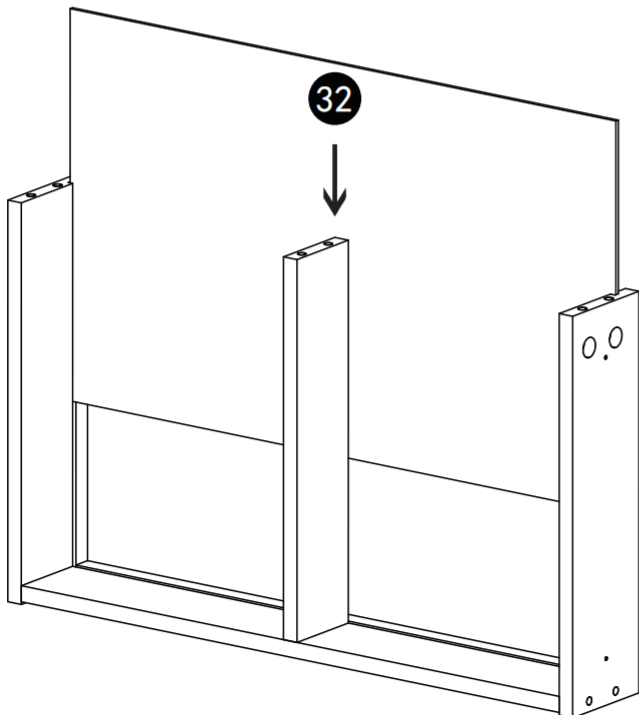
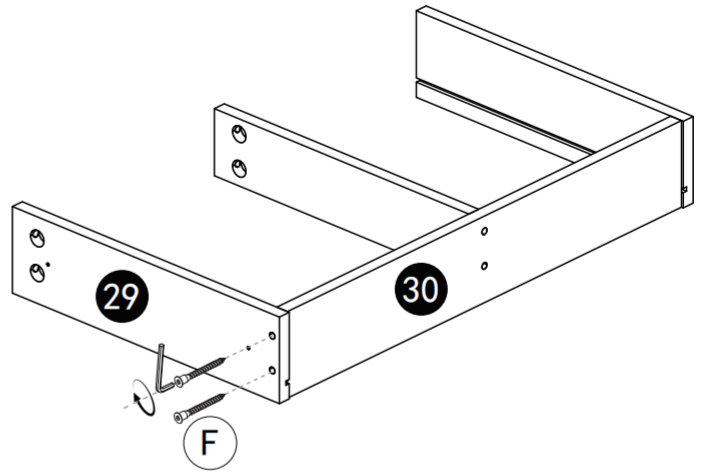
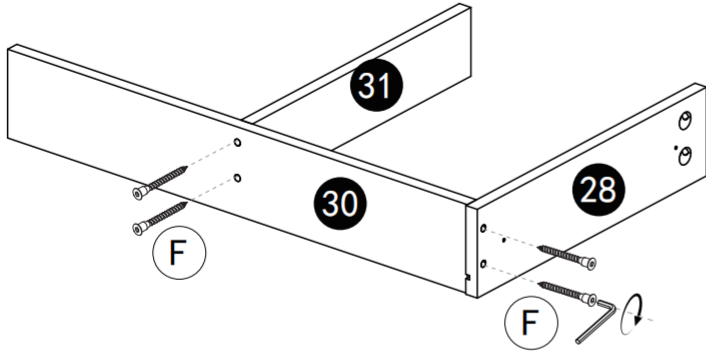




M		x16			
B		x32	H		x8

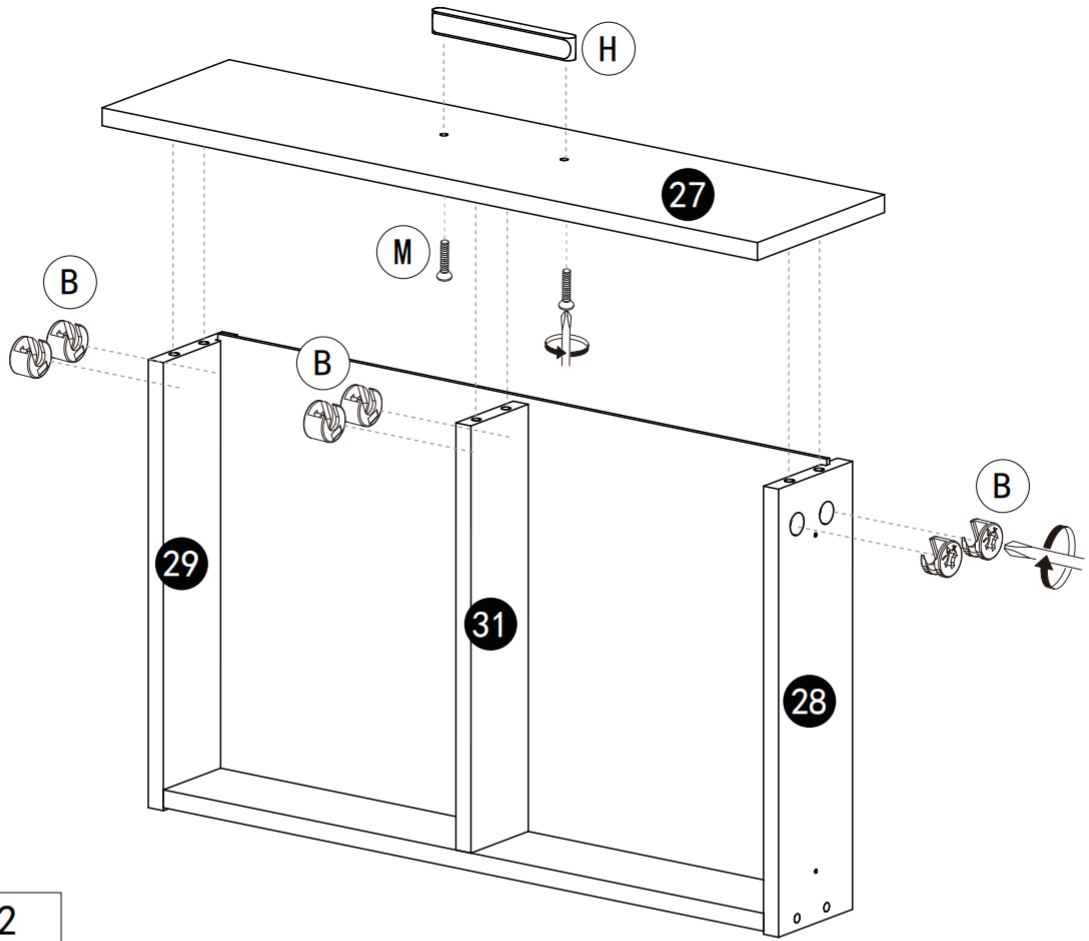
X8



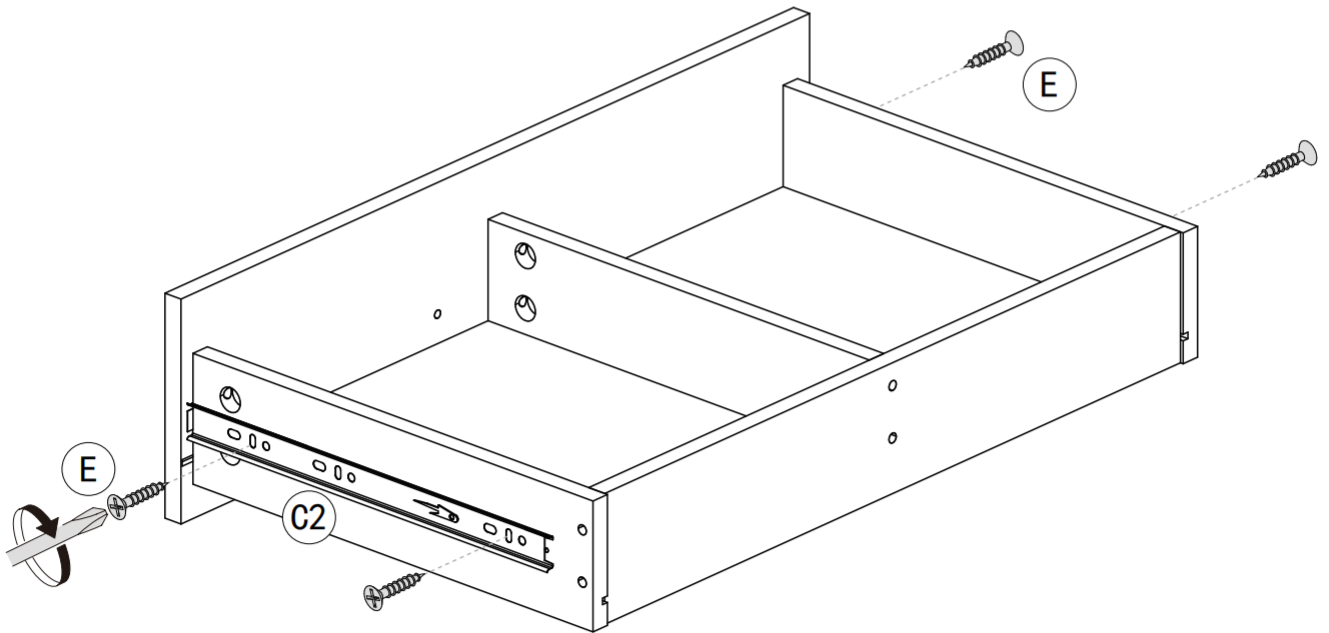
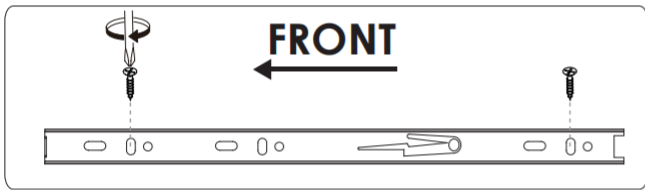
DL		x8
DR		x8
E		x32



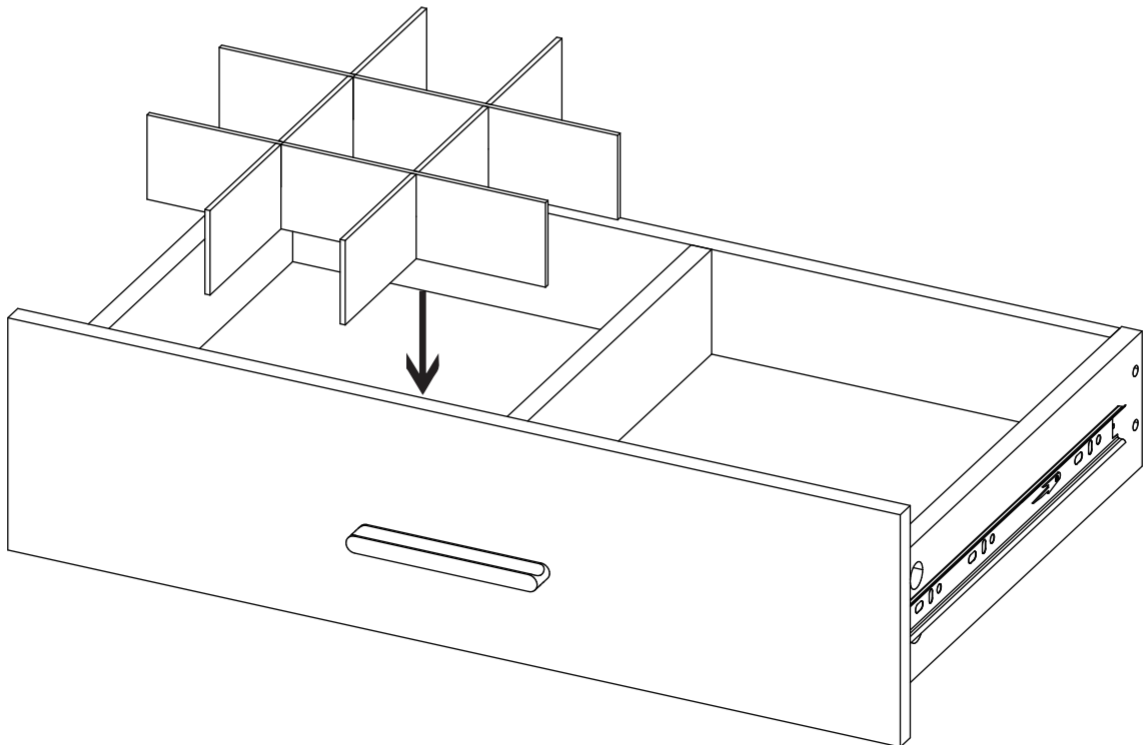
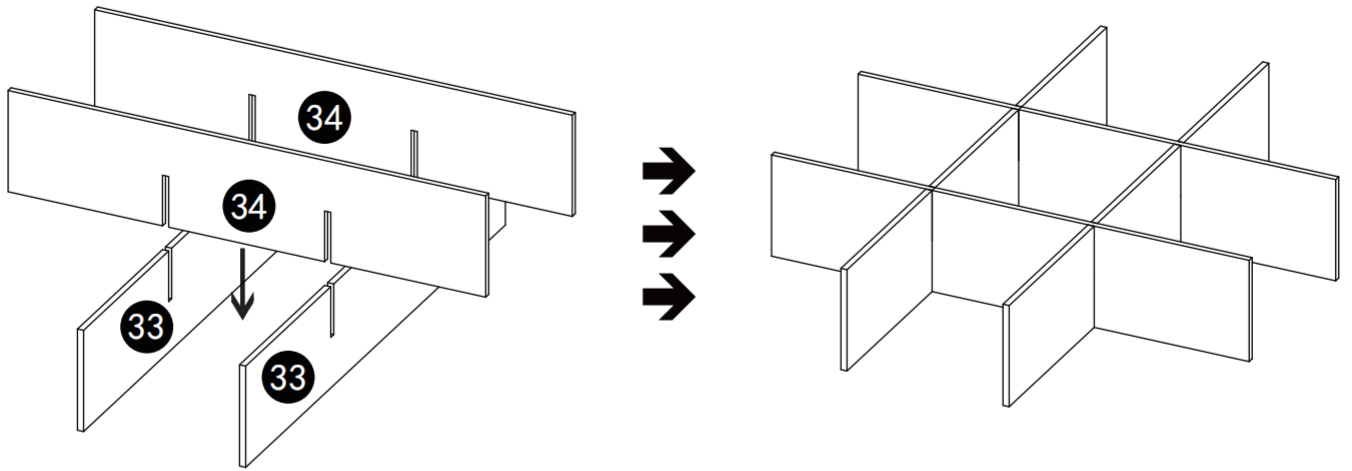
A		x6
F		x6



M		x2			
B		x6	H		x1

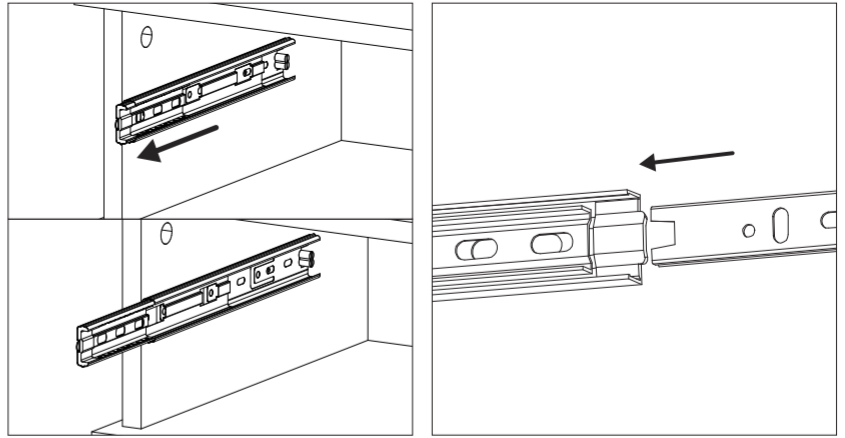


C2		x2		
E		x4		



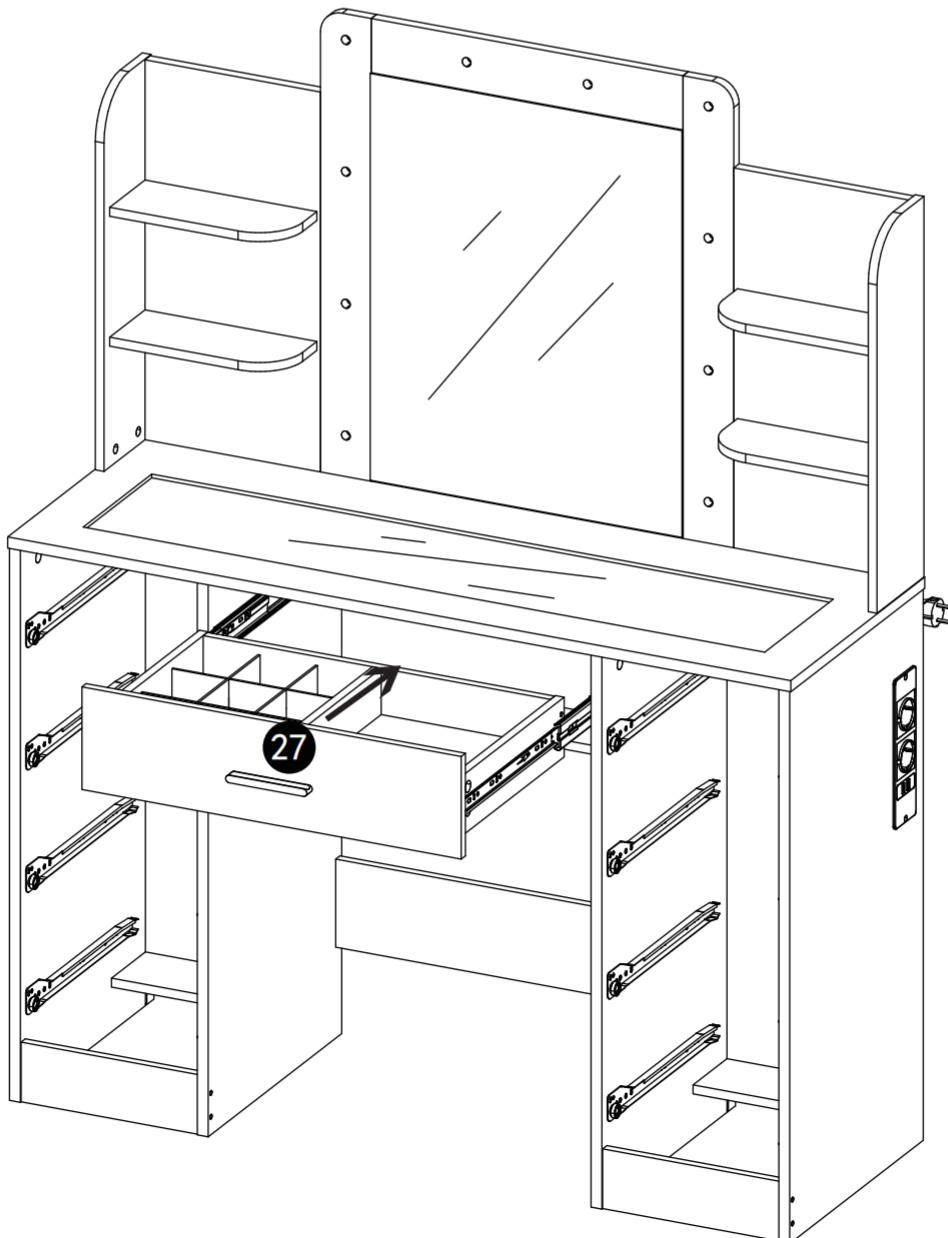
REMARK: Align the slide runners on the drawer with the unit and push it carefully inside until it stops.

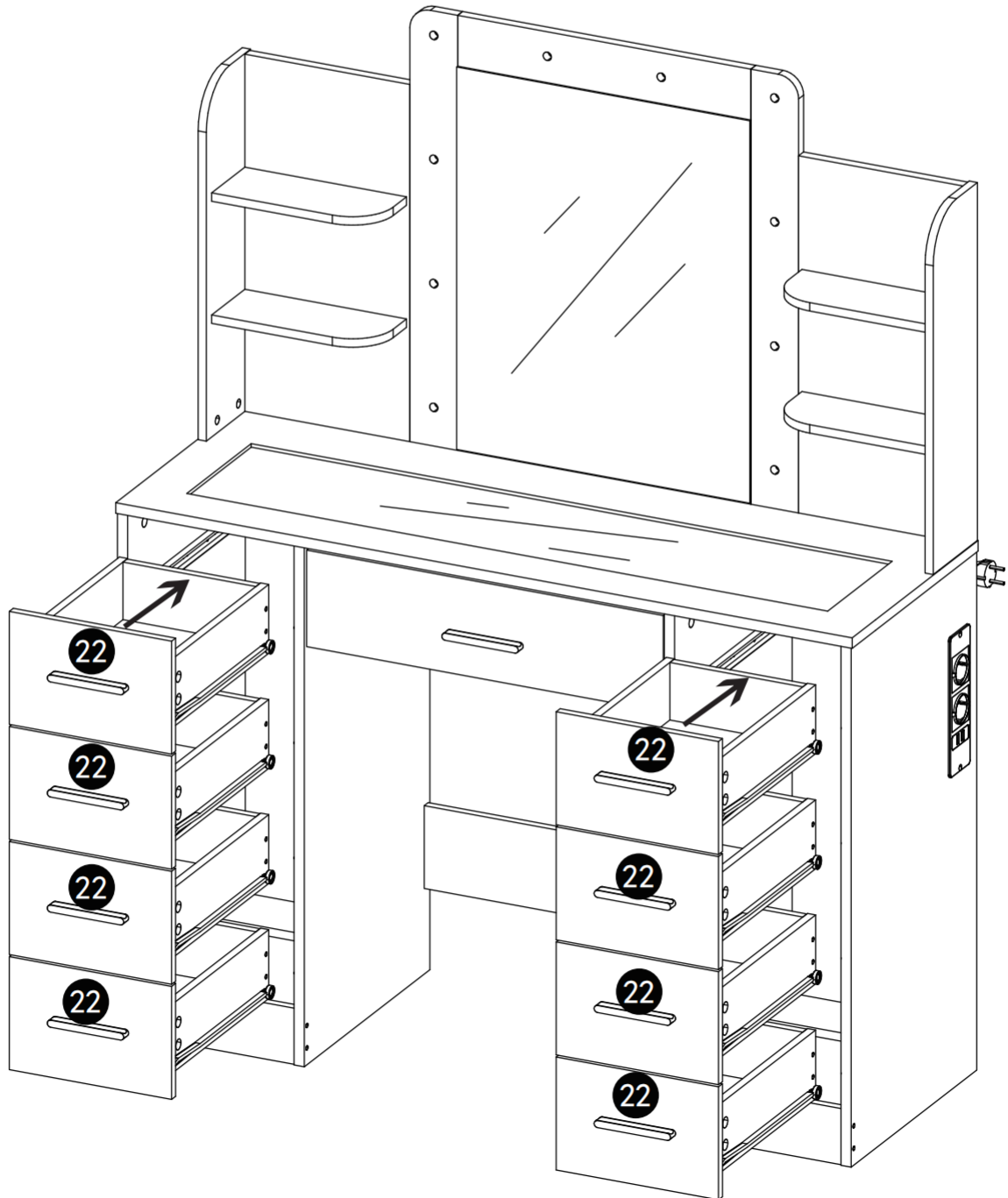
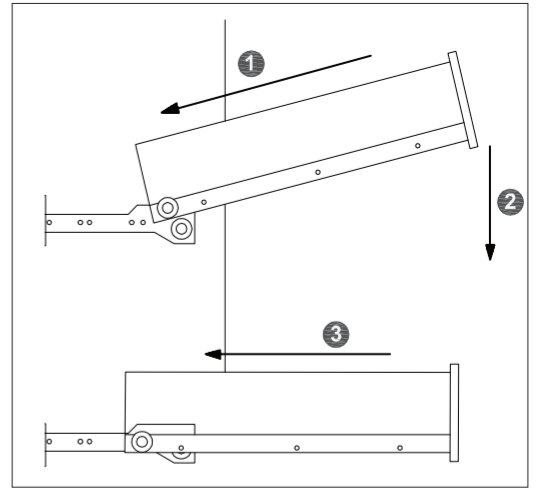
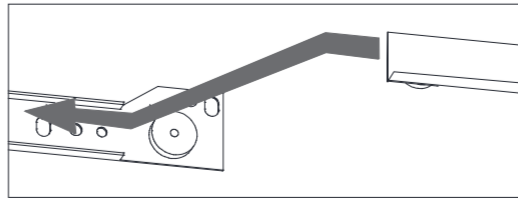
★ If the drawer does not go in smoothly please take it out and repeat the step.



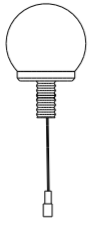
REMARK:

1. First, slide the slide and ball on both sides of the slide to the outside.
2. when installing the drawer, align both sides first, and then push both sides inward at the same time.





I



x1 PC

Install the last bulb

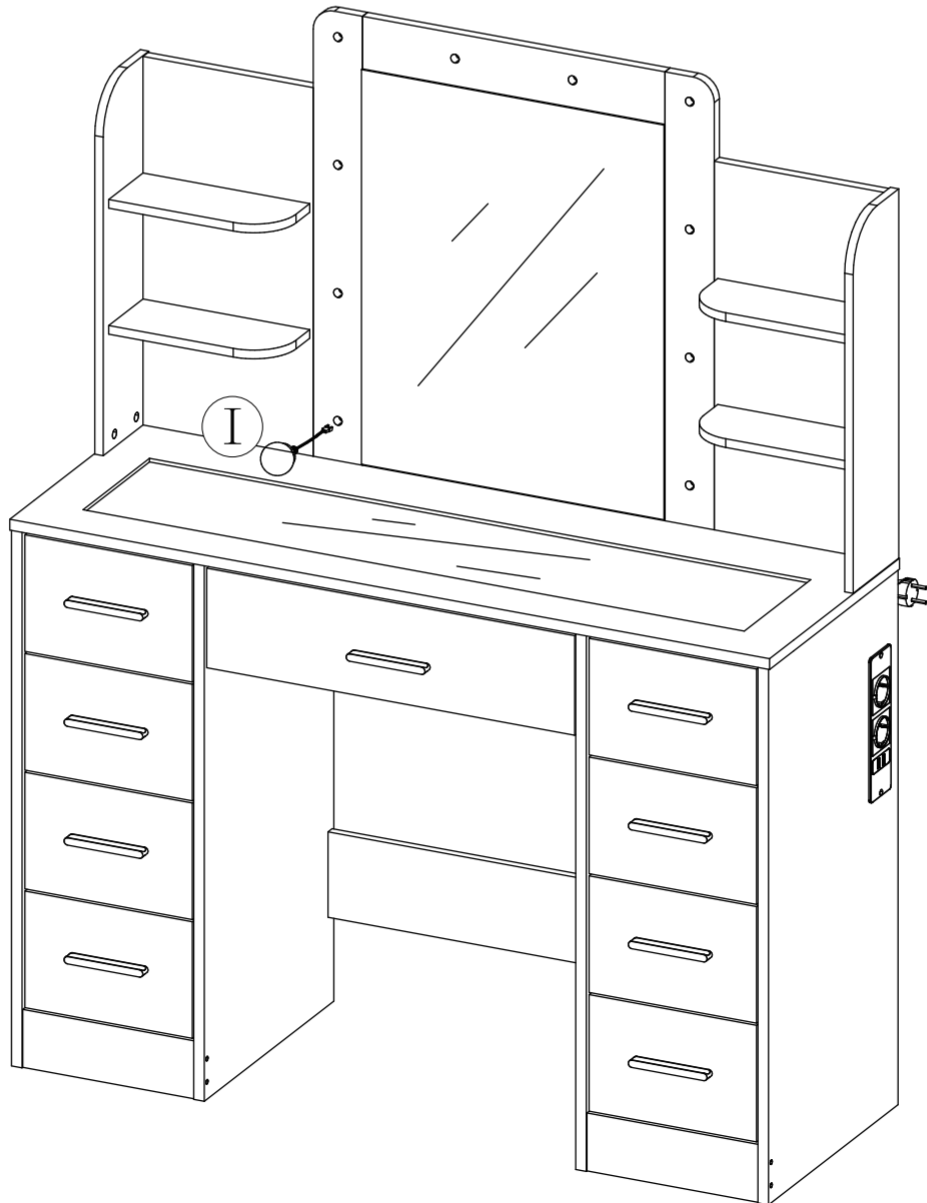
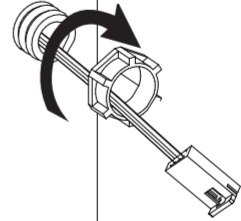
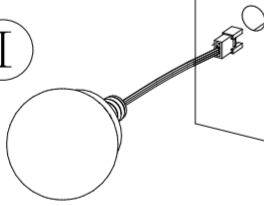
II

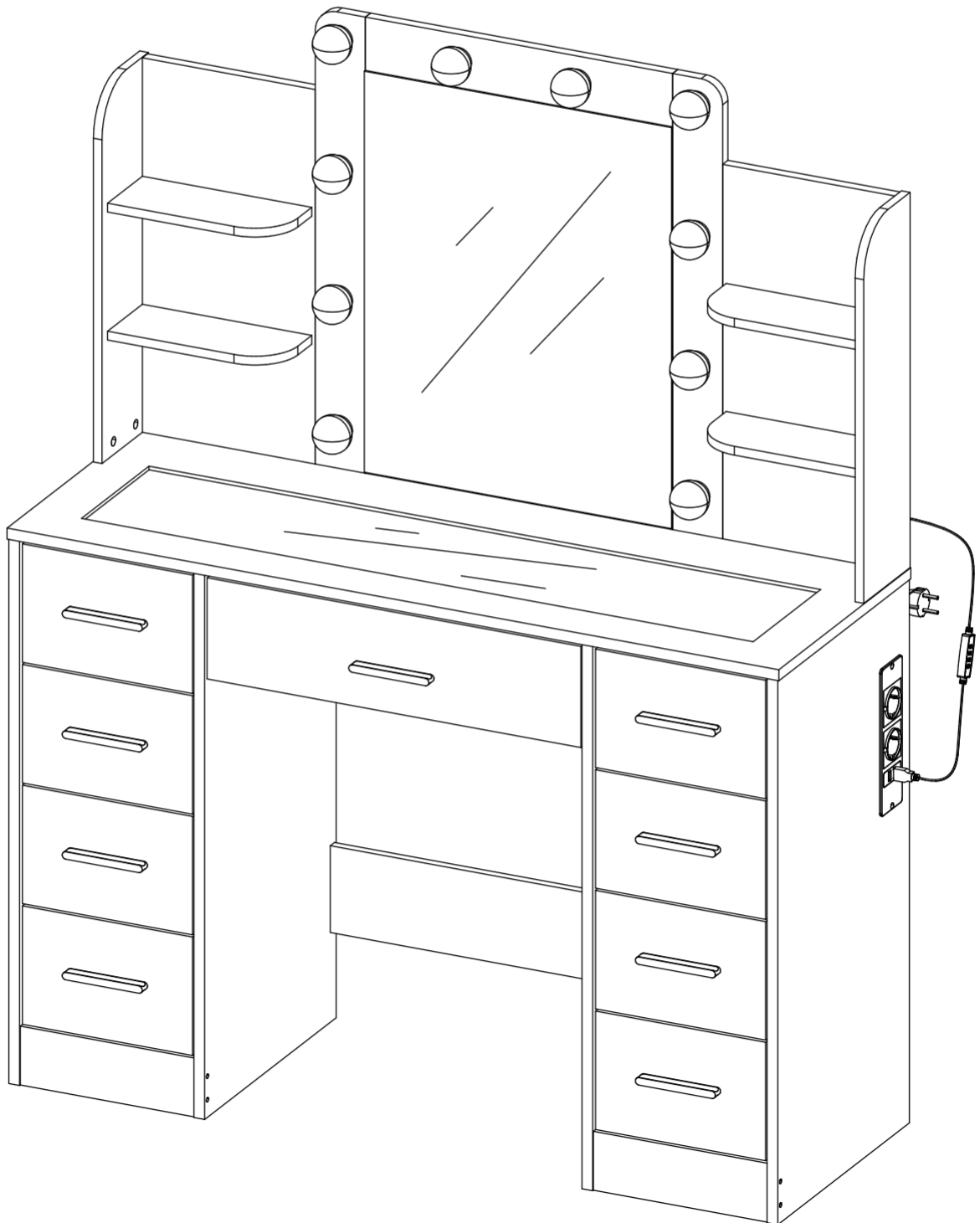
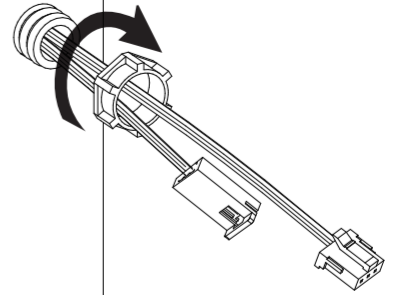
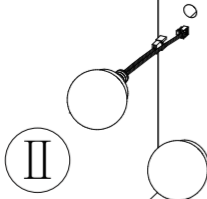


x9 PC

Install the middle bulbs (9 pcs)

I

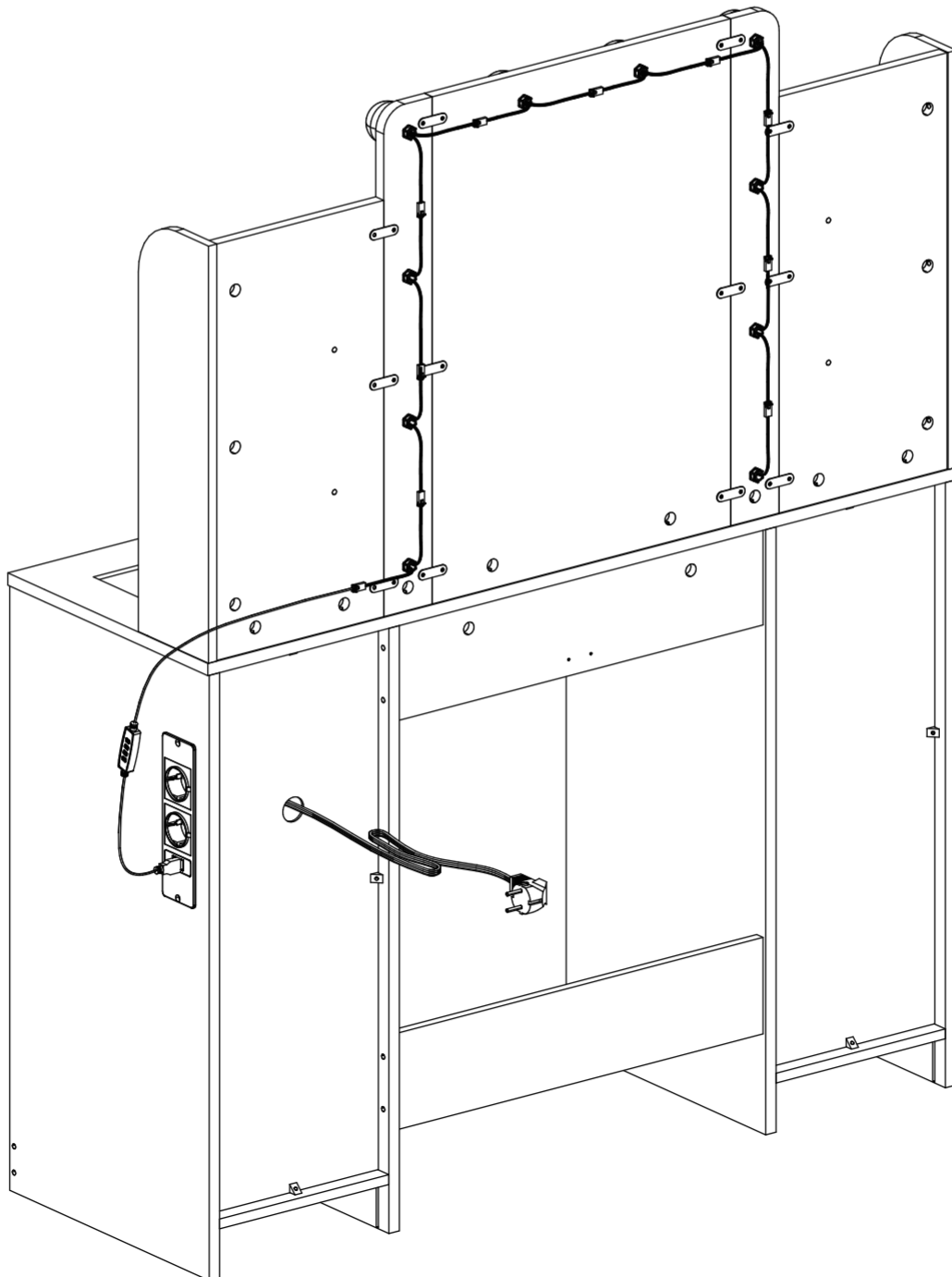
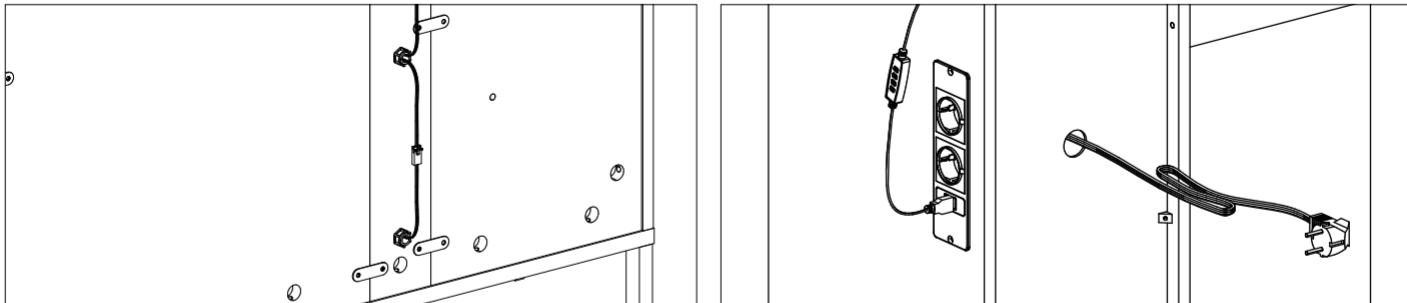
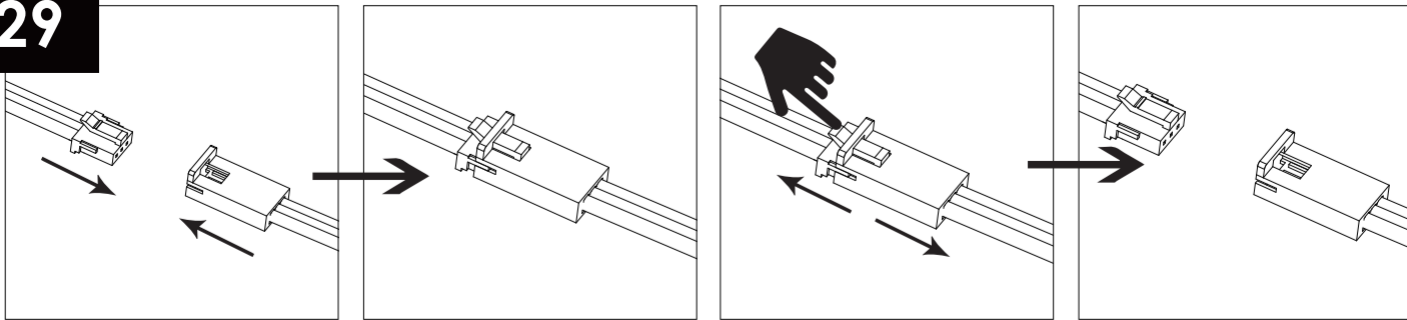




0

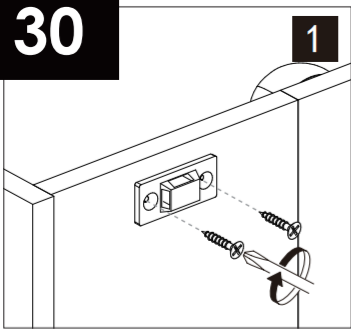


x1

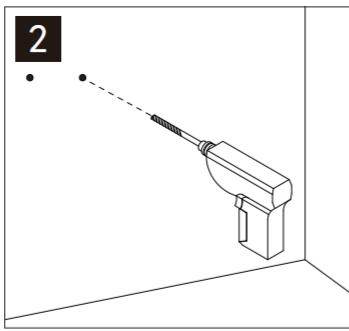


30

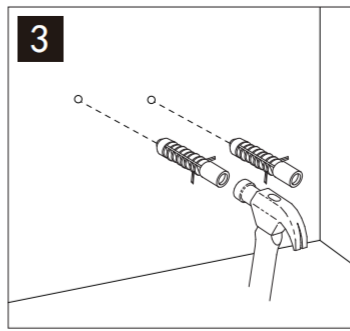
1



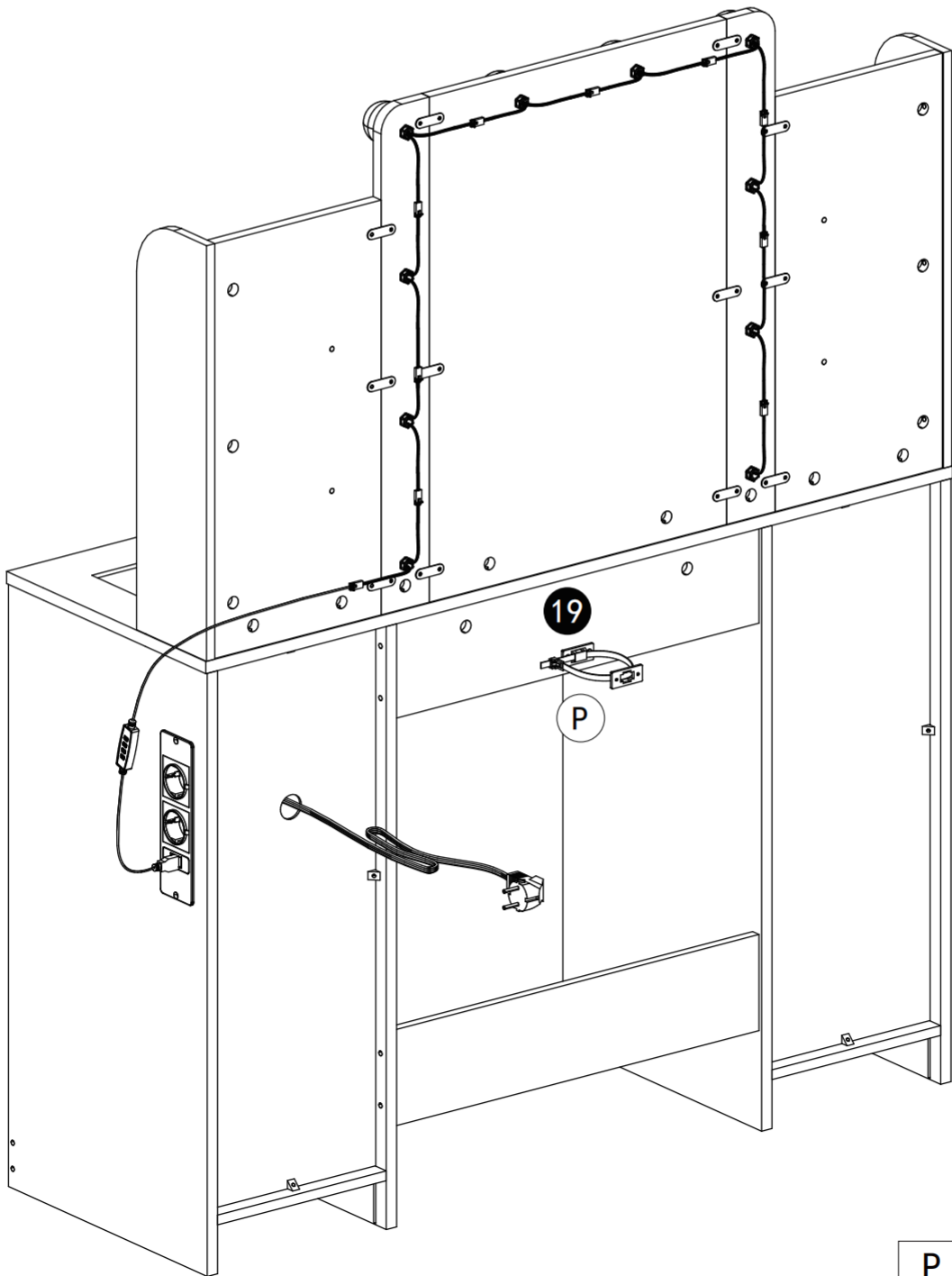
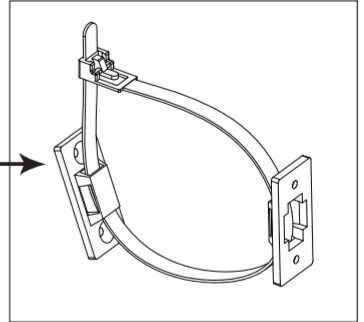
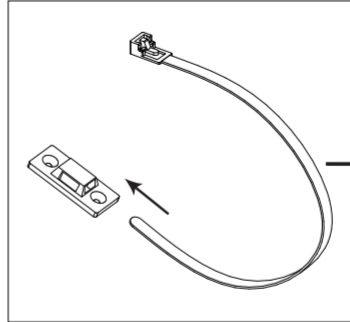
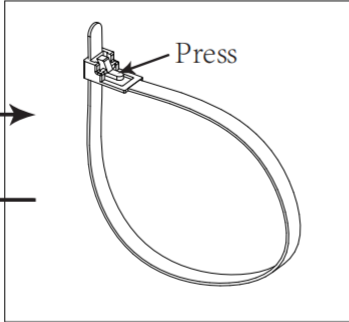
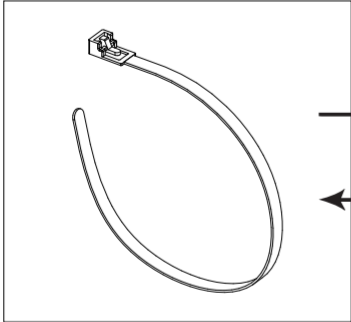
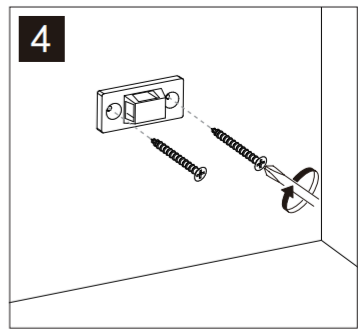
2




3

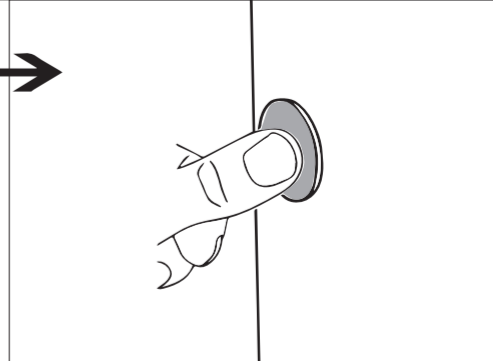
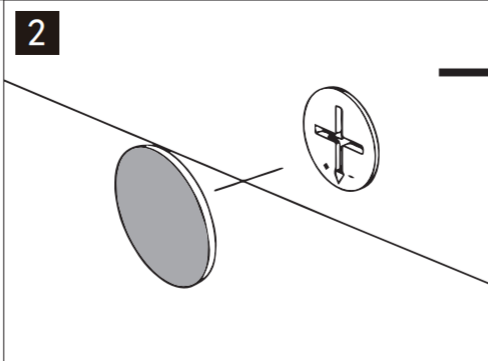
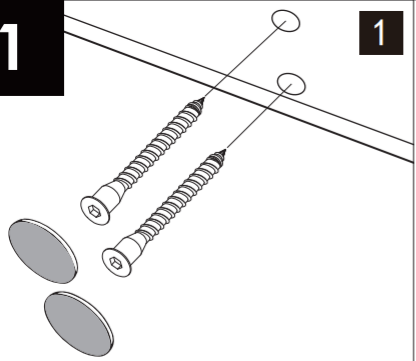


4

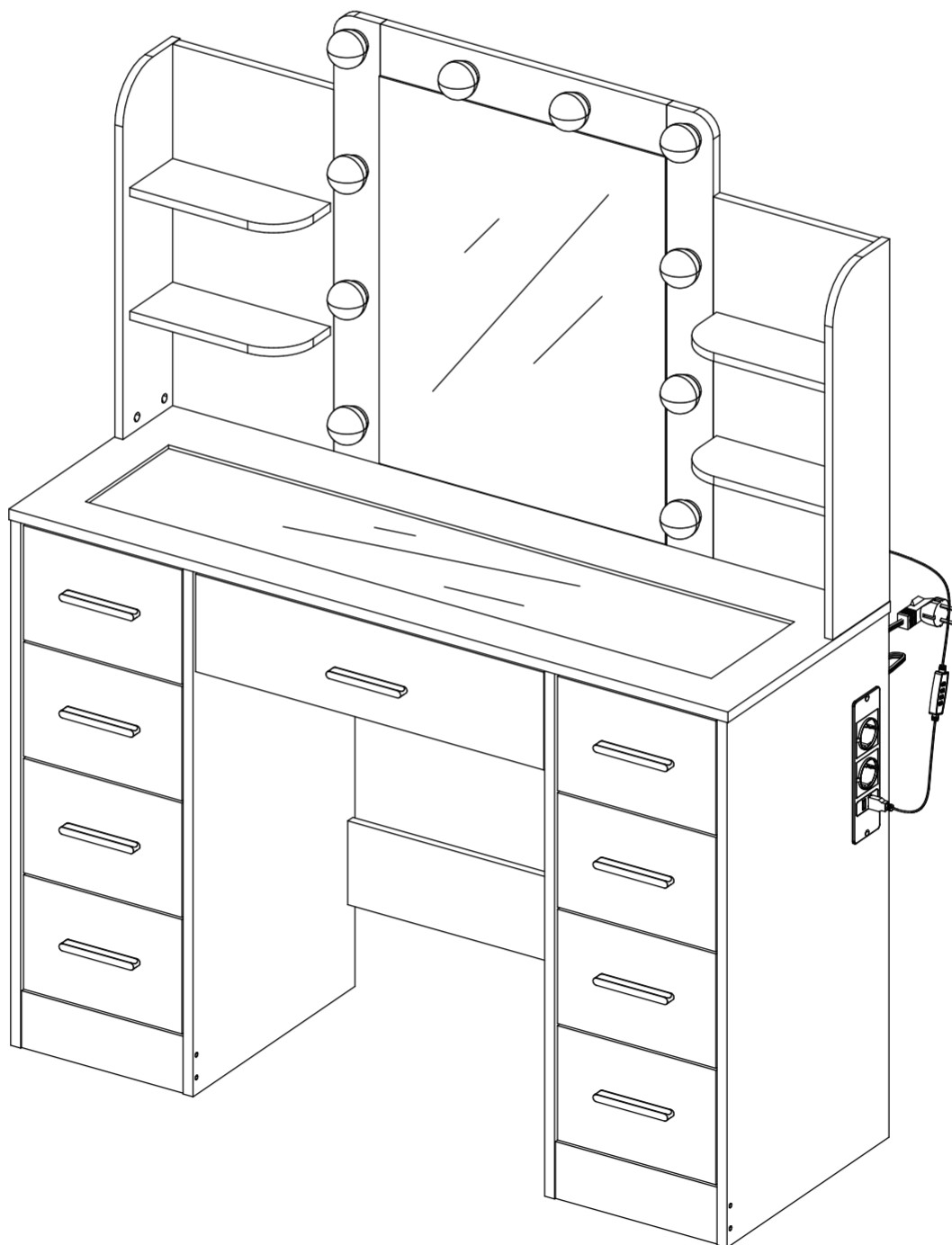


P  x1

31



Add L fittings to all exposed holes on the front of the product



L



x20