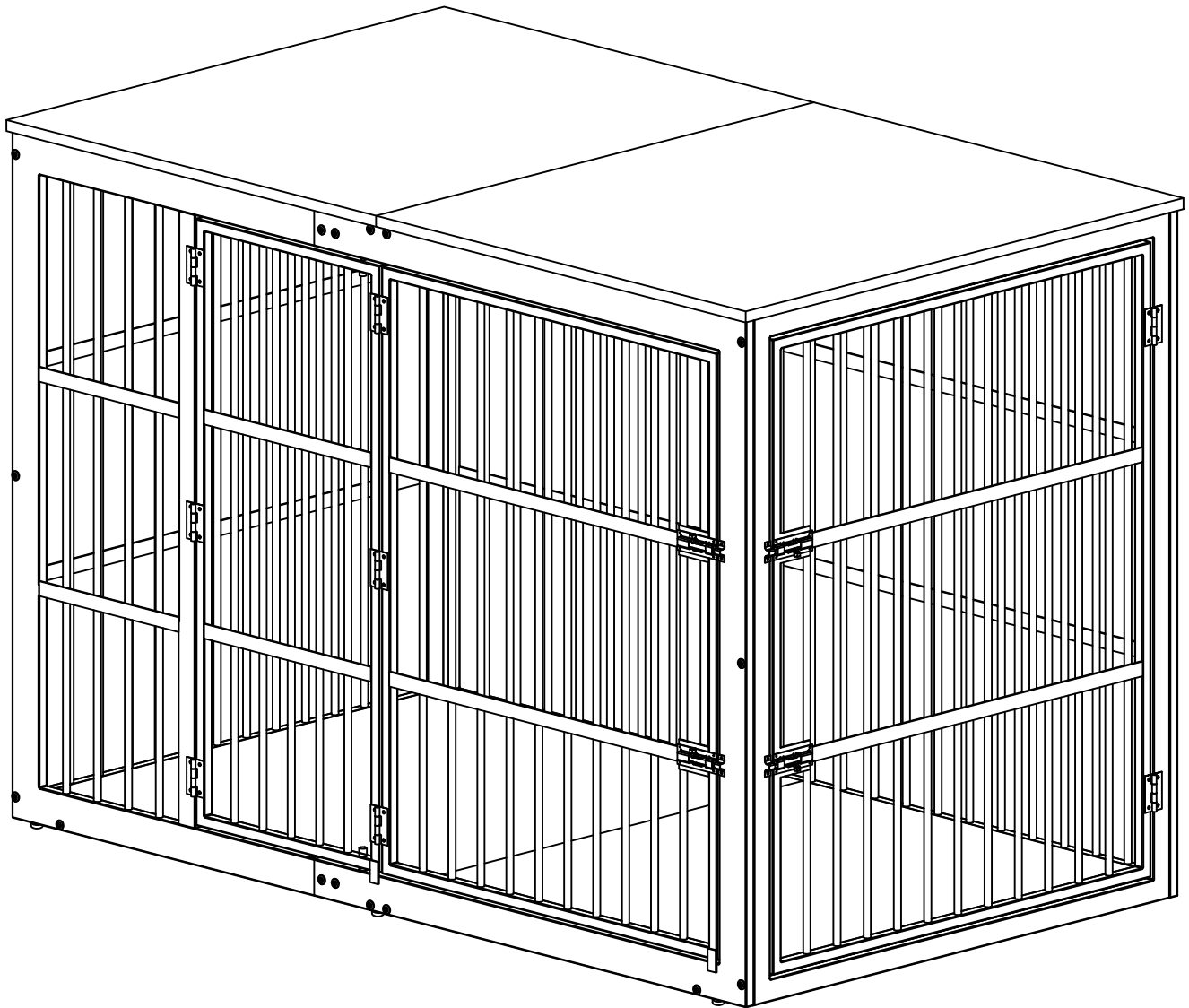


Assembly Instrusction





General Guidelines

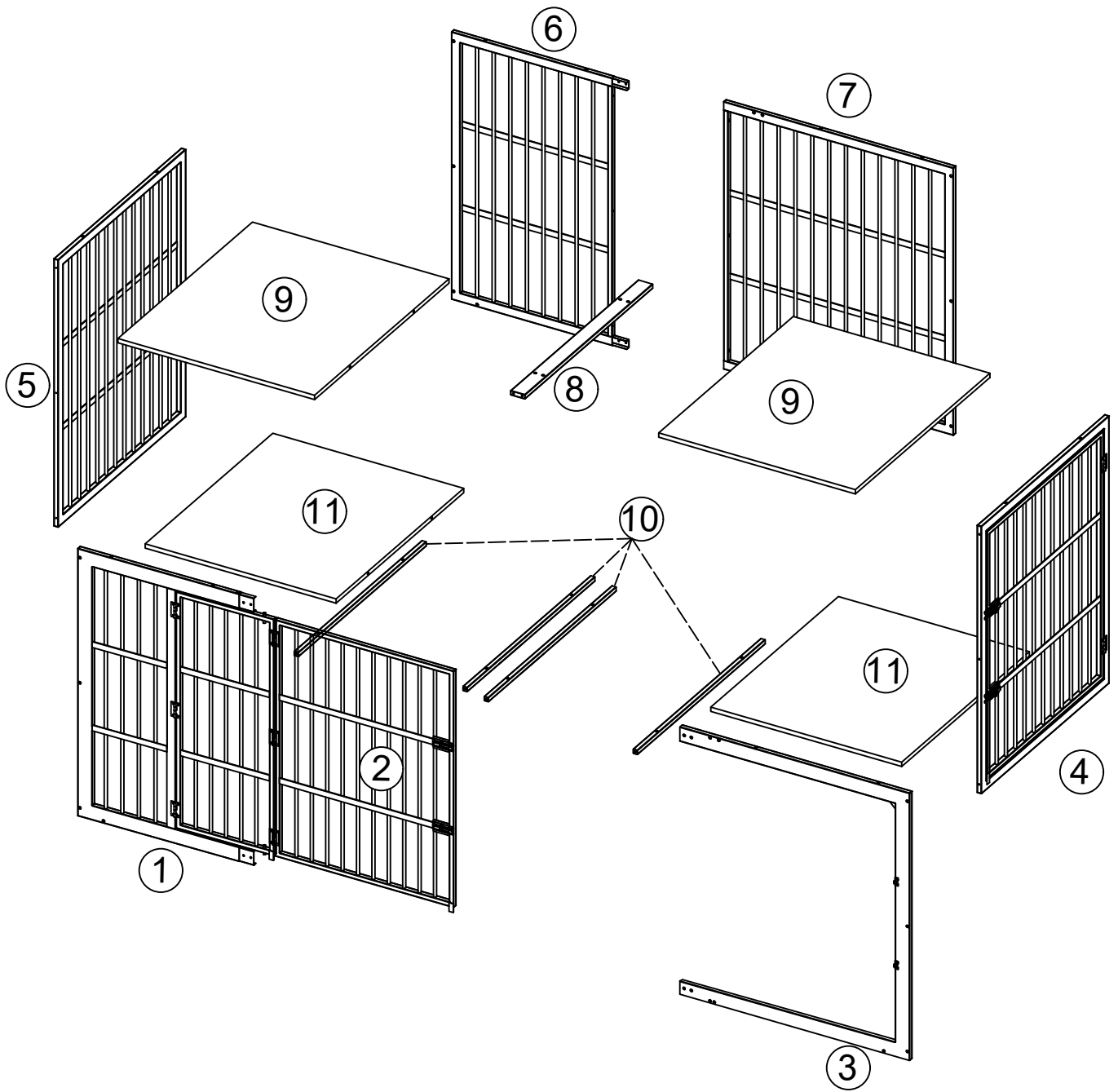
- Please read the following instructions carefully and use the product accordingly.
- Please keep this manual and hand it over when you transfer the product.
- This summary may not include every detail of all variations and considered steps. Please contact us when further information and help are needed.

Notes

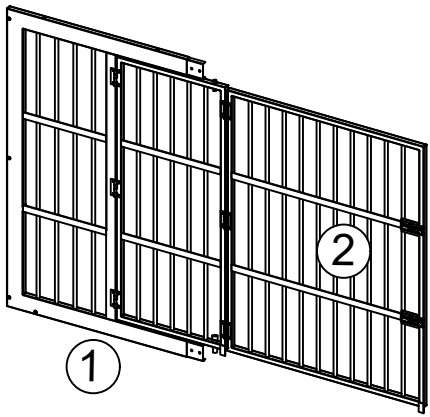
- The product is intended for indoor use only. The product must be assembled and used in accordance with the provisions of the manual. Personal injury and / or damage to the product may occur if products are used outside of their intended purposes and/or if products have been changed/modified from their original design.
- The seller does not assume any responsibility or liability with respect to any injury/damage caused by incorrect assembly or improper use.
- Avoid long-term exposure to humid environments to prevent mildew.
- Keep the product away from fire sources and high temperatures. Do not expose the product to direct sunlight.
- Do not place any hot objects on the surface of the product.
- If there are any defective or missing parts after unpacking, please cease assembly immediately and contact us.
- Please assemble the item on a spacious surface and do not place the unwrapped product directly on the ground to avoid product damage.
- Please do not stand or sit on the wooden boards.
- Please wear gloves during the assembly and/or disassembly process to avoid scratches from any sharp edges.
- Please match the corresponding part and fitting based on the part number in the manual.
- If the part does not match with the fitting, please check the piece as specified in this manual.
- During assembly, first loosely align all screws with the corresponding pre-drilled holes and then tighten the screws one by one.
- Periodically inspect screw tightness while the product is in use. If necessary, retighten to ensure structural integrity.
- If you accidentally spill water or another liquid on the surface, immediately wipe clean with a dry towel.
- Please keep the product away from sharp, pointed objects and corrosive substances to prevent product damage.
- Please place this item on level, solid ground during use.

Warnings

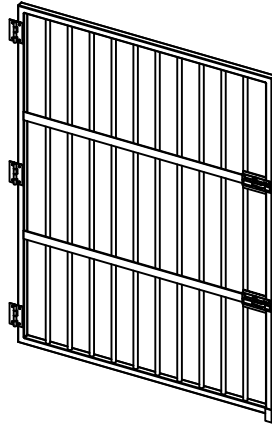
- During assembly, keep all small parts out of the reach of children. It may be fatal if swallowed or inhaled.
- Children should not climb or play on the product in order to avoid tipping over the furniture and causing serious injury.
- To avoid the potential dangers of suffocation, please keep all parts and packaging (film, plastic bags, foam, etc.) away from babies and children.
- Keep sharp objects and corrosive items away from the product to avoid any damage or injury.
- Do not shake or move violently during use to avoid tipping over the product.



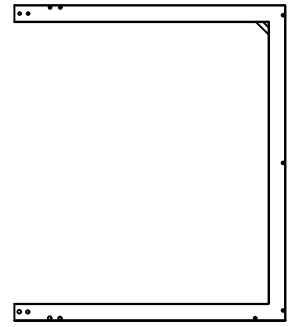
① X1



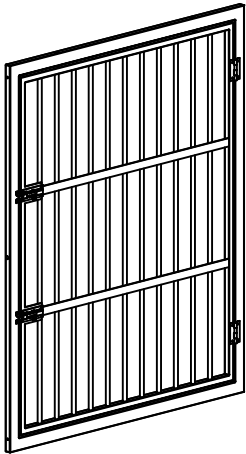
② X1 Pre installed in part ①



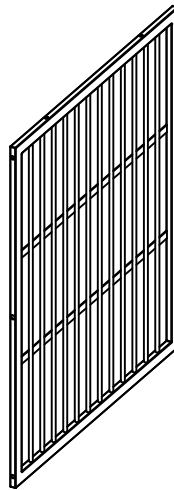
③ X1



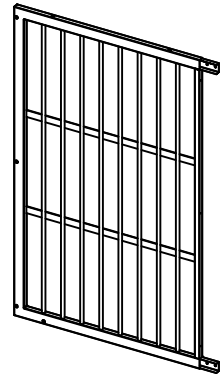
④ X1



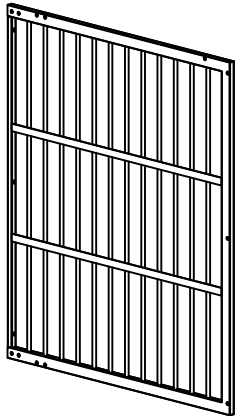
⑤ X1



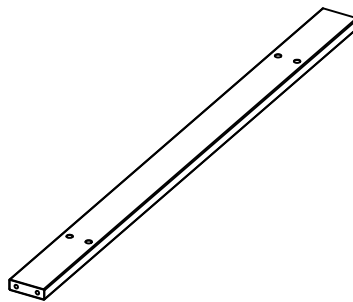
⑥ X1



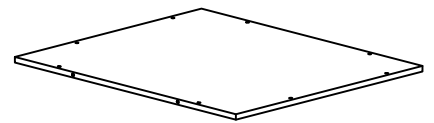
⑦ X1



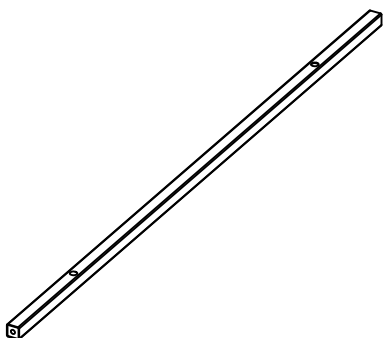
⑧ X1



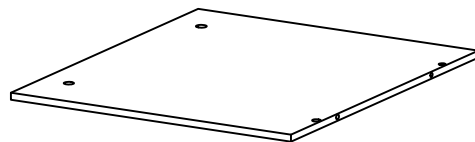
⑨ X2



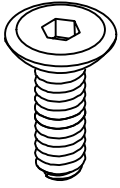
⑩ X4



⑪ X2



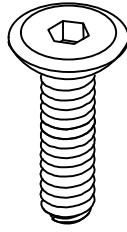
A



M6*25MM

35PCS(Extra 2)

B



M6*40MM

12PCS(Extra 1)

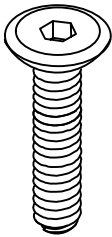
C



M6*12MM

8PCS(Extra 1)

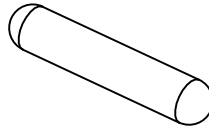
D



M6*60MM

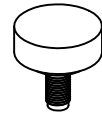
4PCS(Extra 1)

E



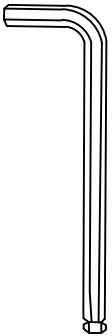
4PCS(Extra 1)

F



6PCS

G



1PCS


Please note:

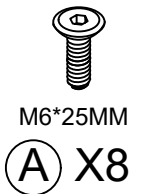
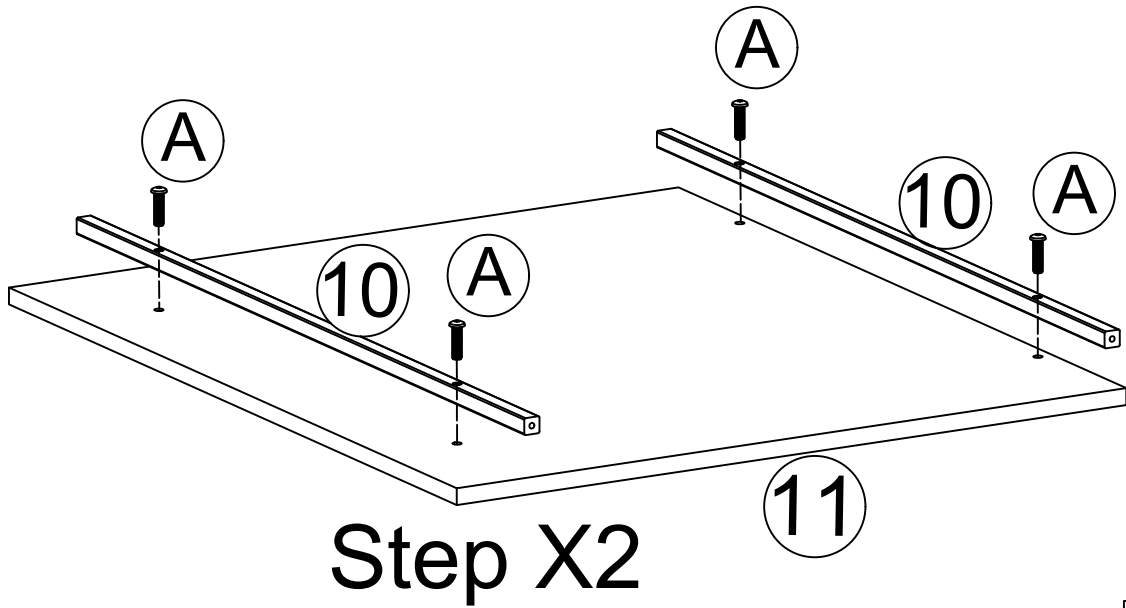
The product shown in the installation diagram is located in the bottom up position (with the top plate facing up).

Please pay attention to the orientation of the parts during assembly.

Recommended number of installers: 2 people

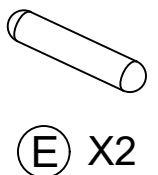
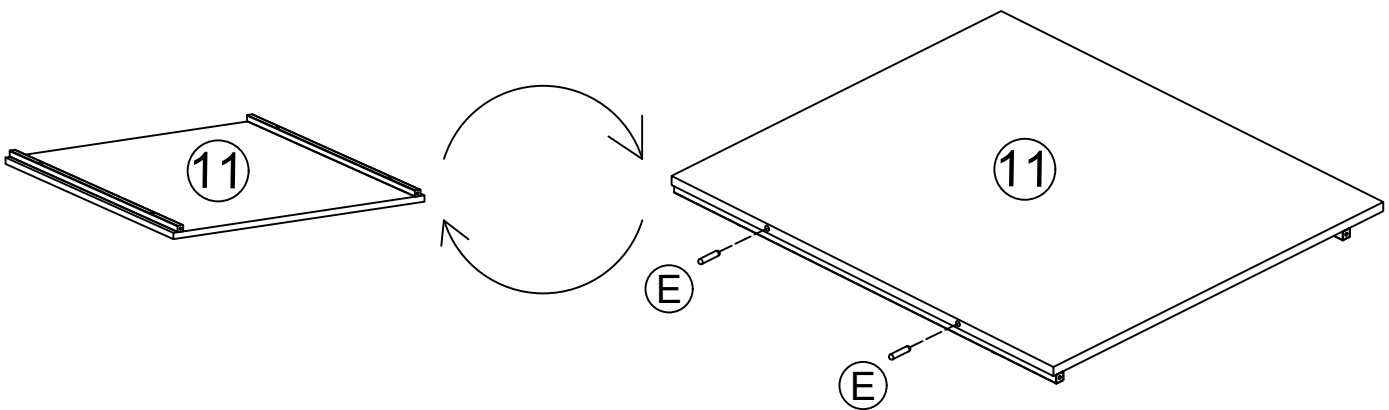
STEP 1: Installation of base plate and its back rod

 Pay attention that both ends of the back pole of part 10 are level with the wooden board of part 11



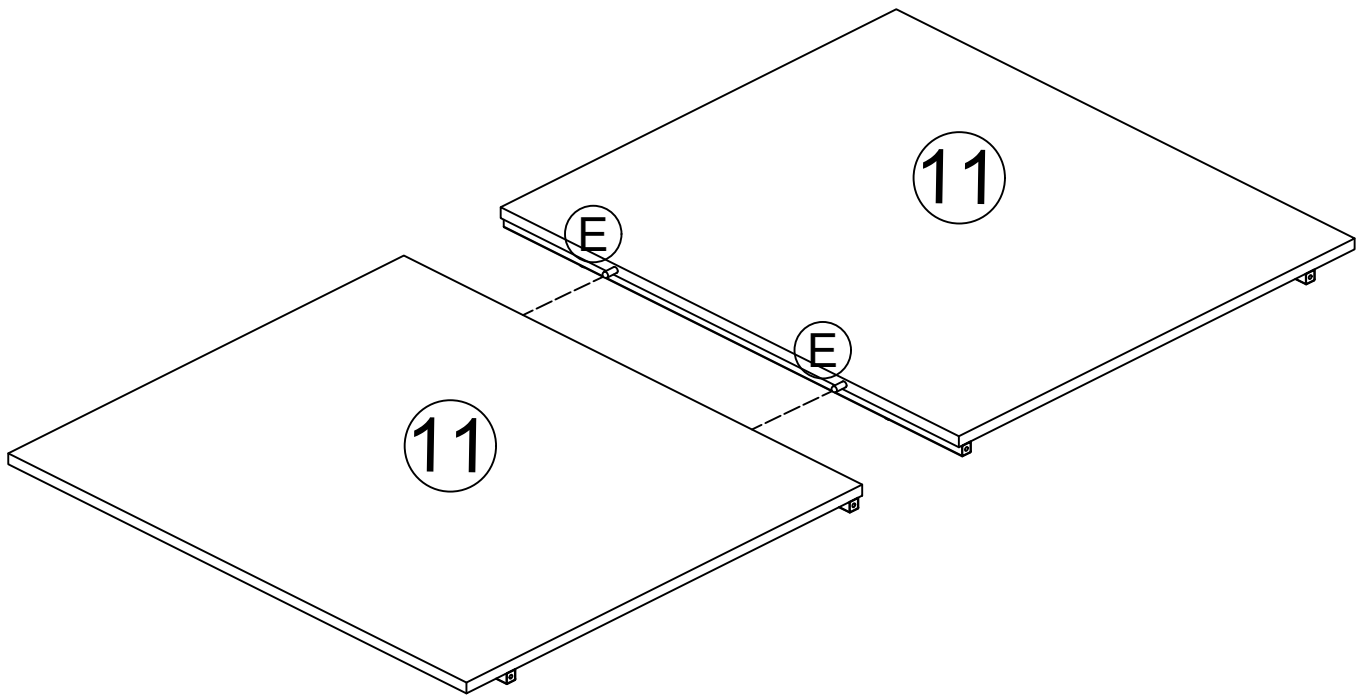
STEP 2: Install wooden tenons

Rotate to this view and proceed with installation

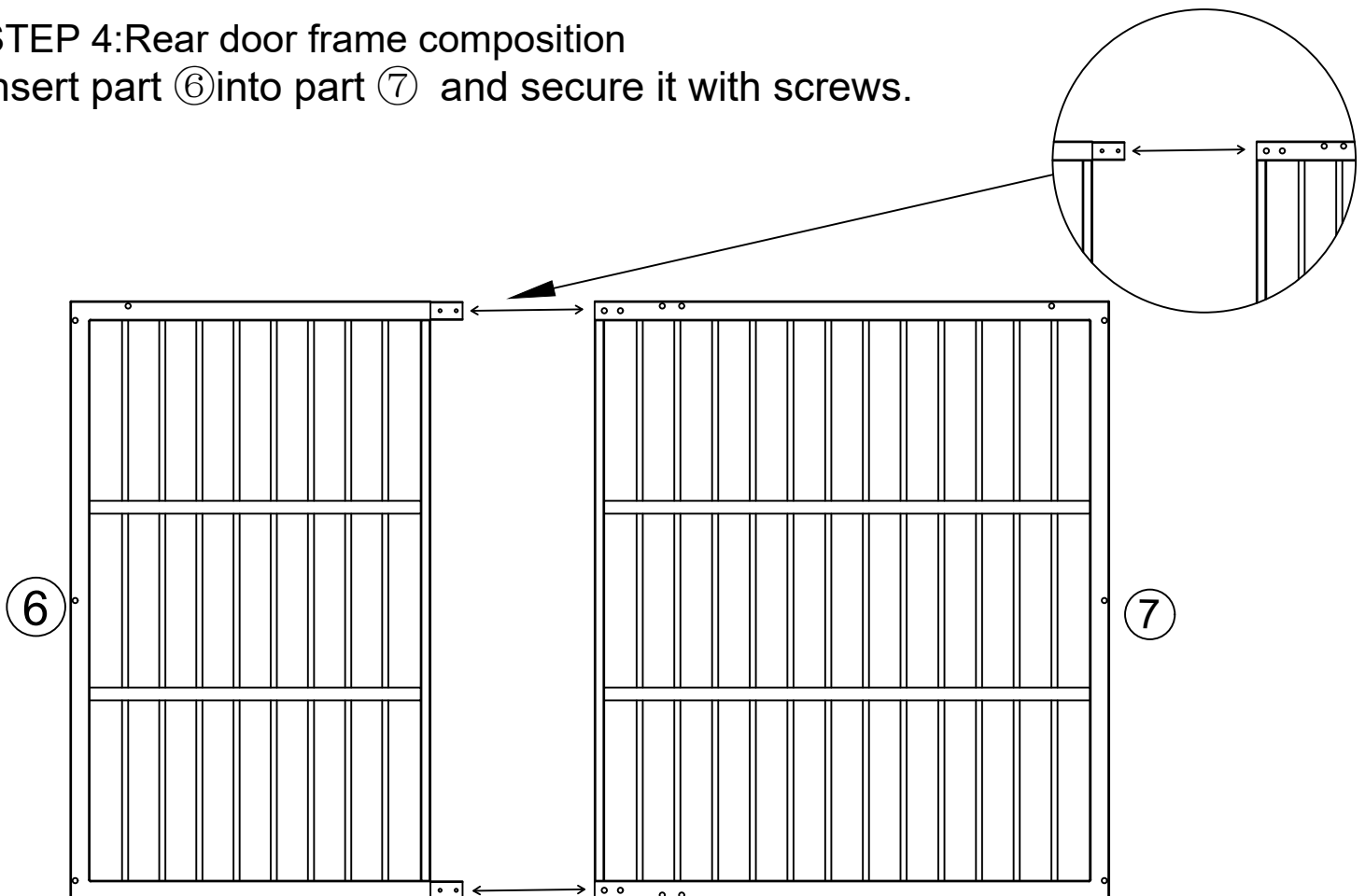


STEP 3: Splicing two bottom plates together

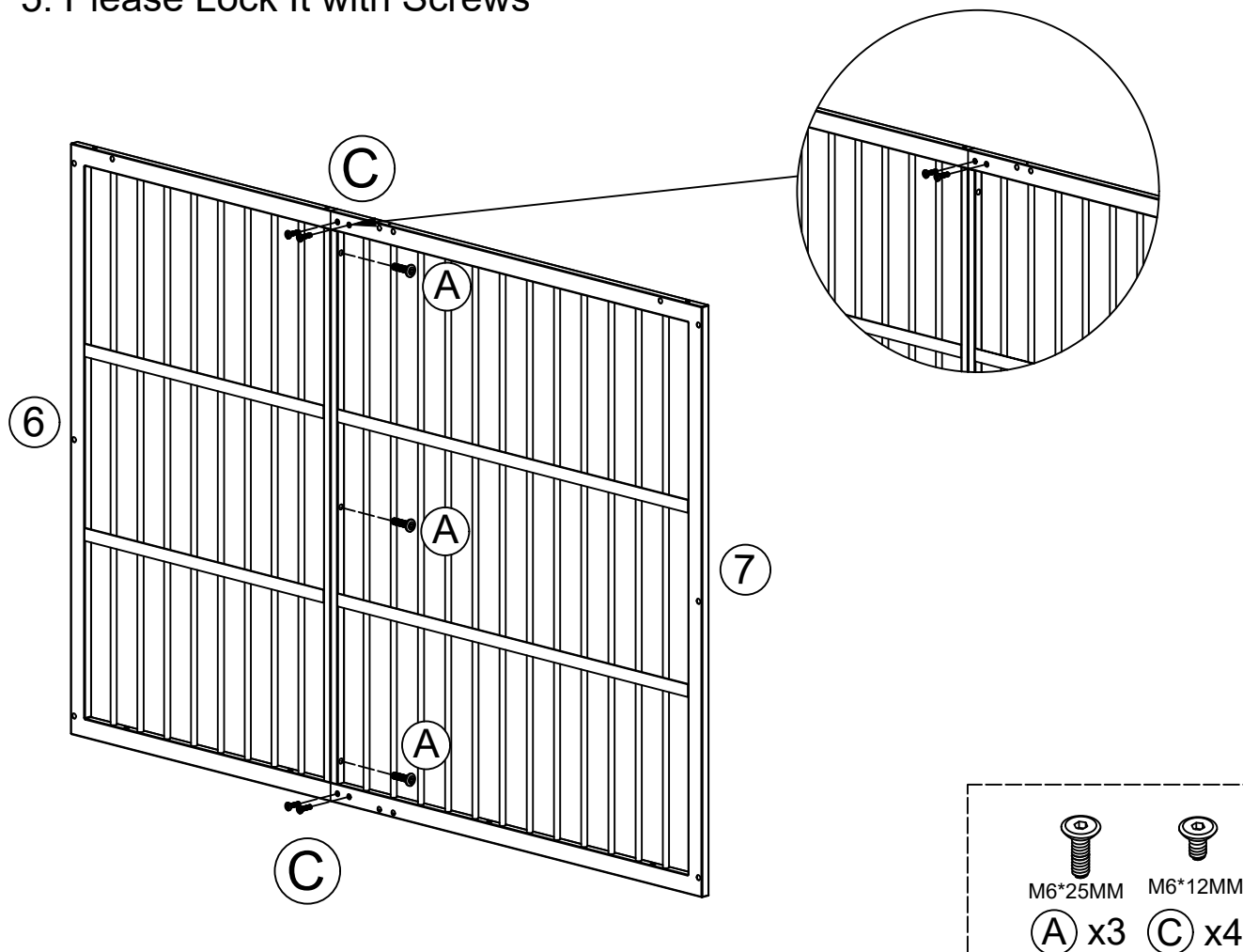
⚠ Pay attention to installing two base plates in the direction shown in this diagram



STEP 4: Rear door frame composition
insert part ⑥ into part ⑦ and secure it with screws.

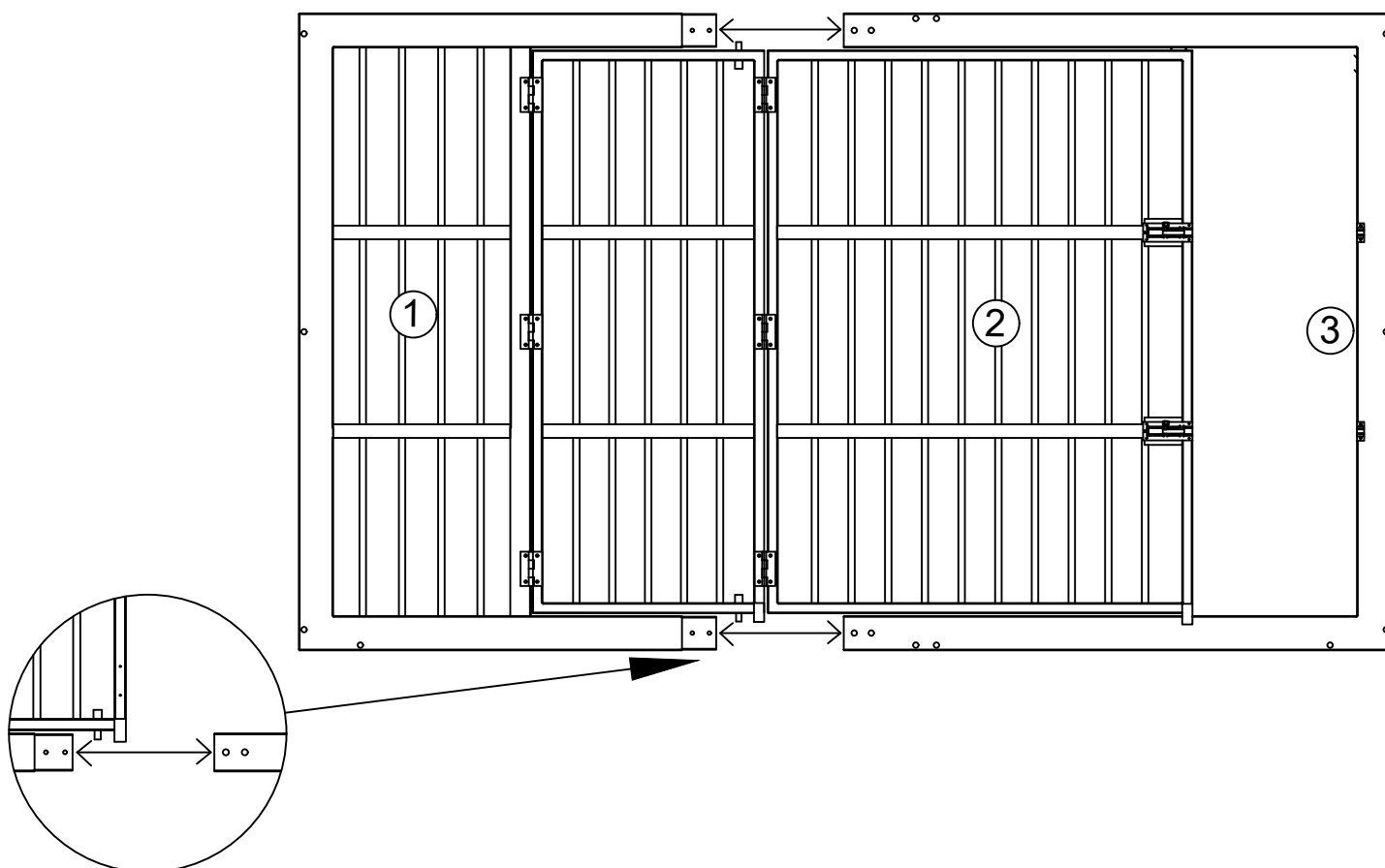


STEP 5: Please Lock It with Screws

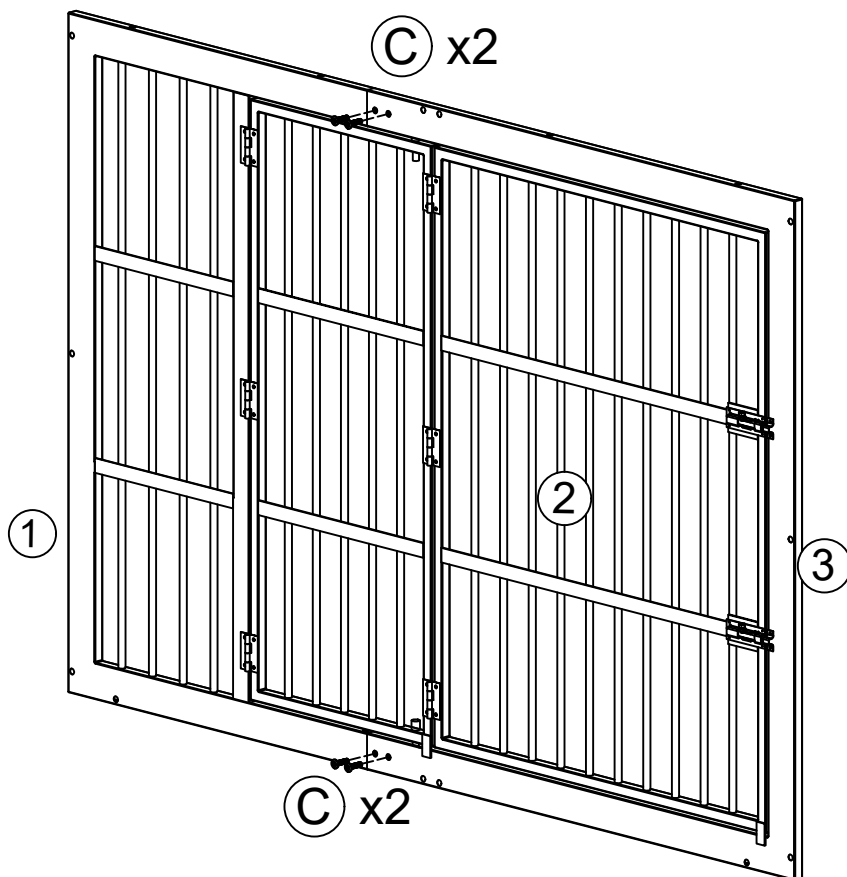


STEP 6: Front Door Frame Assembly

Insert part ① into part ③ and secure it with screws.



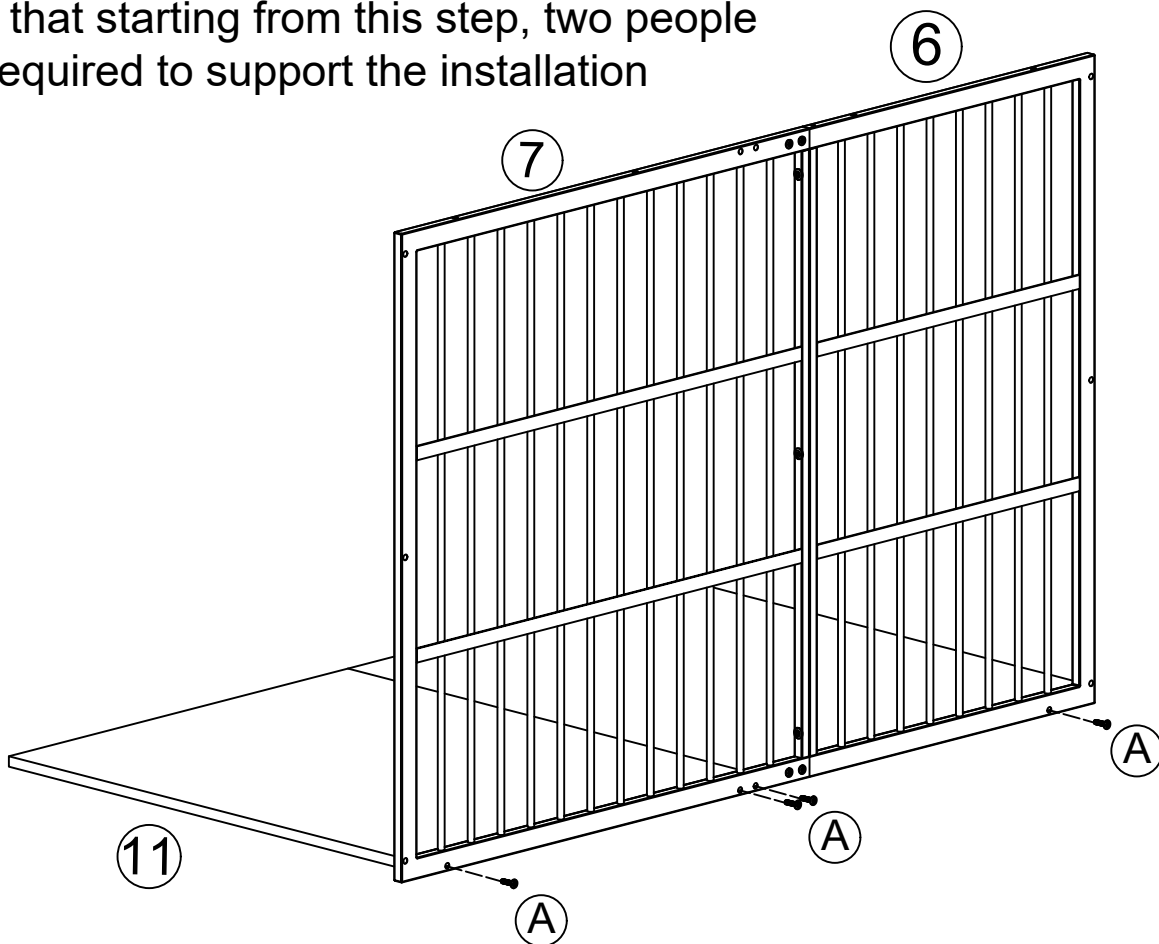
STEP 7: Please Lock It with Screws



(C) x4

STEP 8: Install the back

Note that starting from this step, two people are required to support the installation

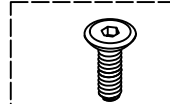
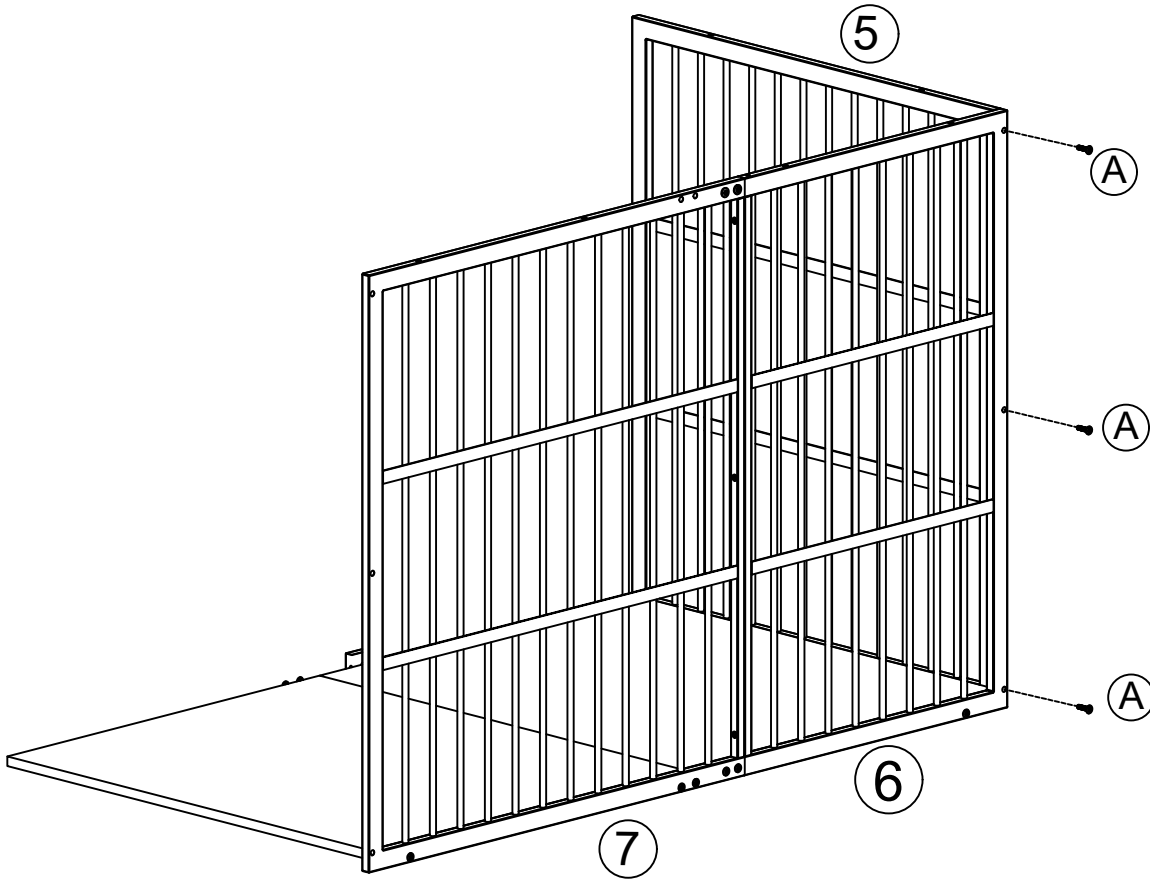
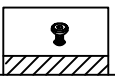
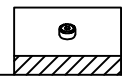


(A) X4

STEP 9: Install side frame



Please tighten the screws to 80% first, and tighten all screws 100% after all parts are assembled.



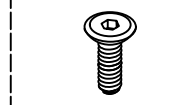
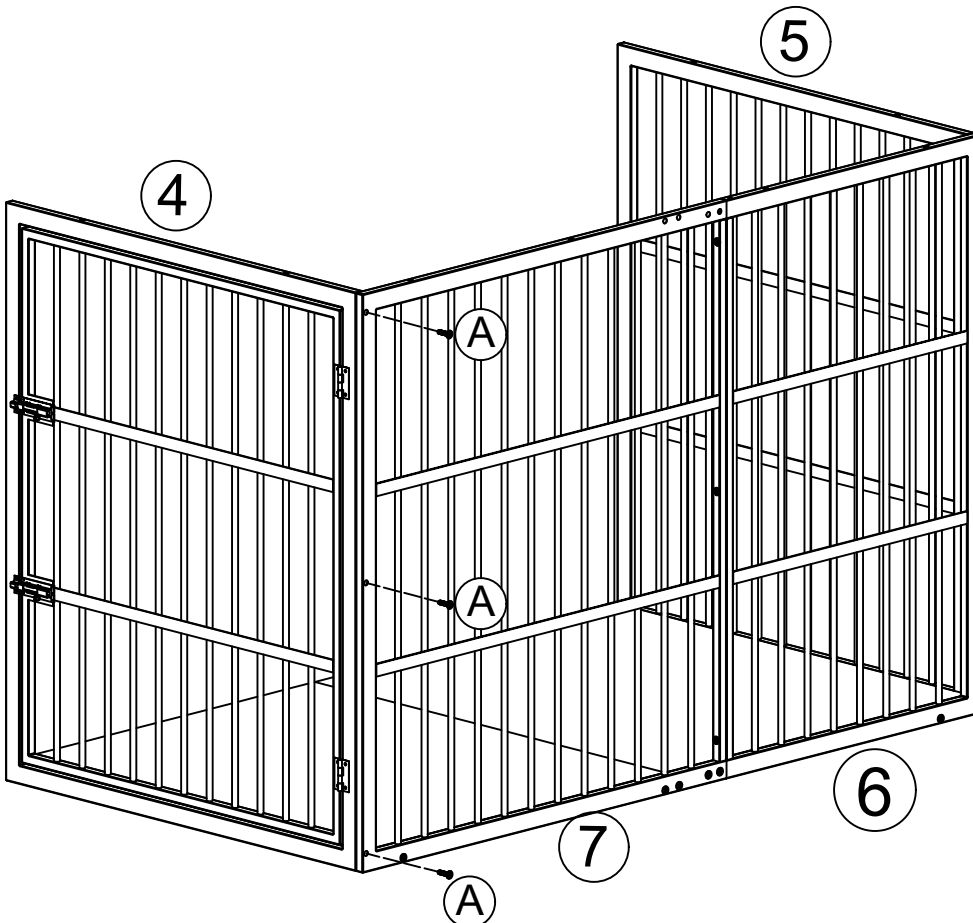
M6*25MM

(A) X3

STEP 10: Install side frame



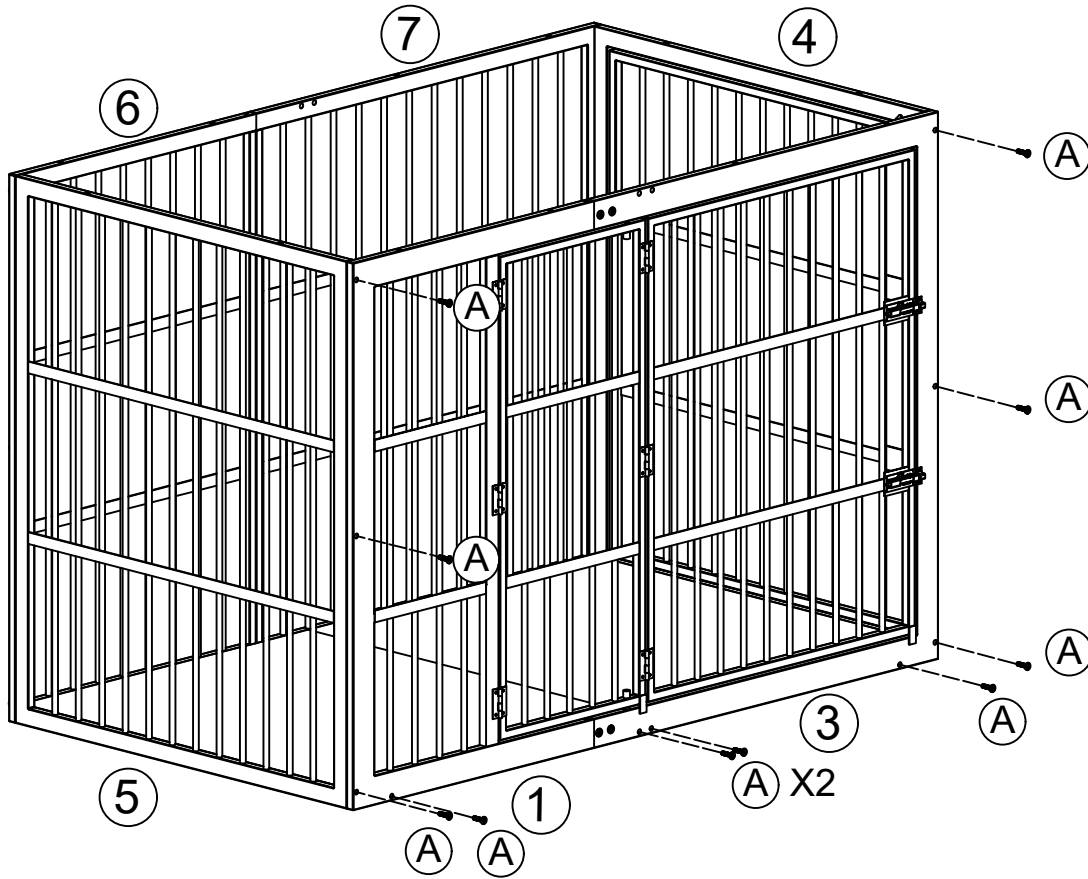
Please tighten the screws to 80% first, and tighten all screws 100% after all parts are assembled.



M6*25MM

(A) X3

STEP 11: Install front frame and bottom



Please tighten the screws to 80% first, and tighten all screws 100% after all parts are assembled.



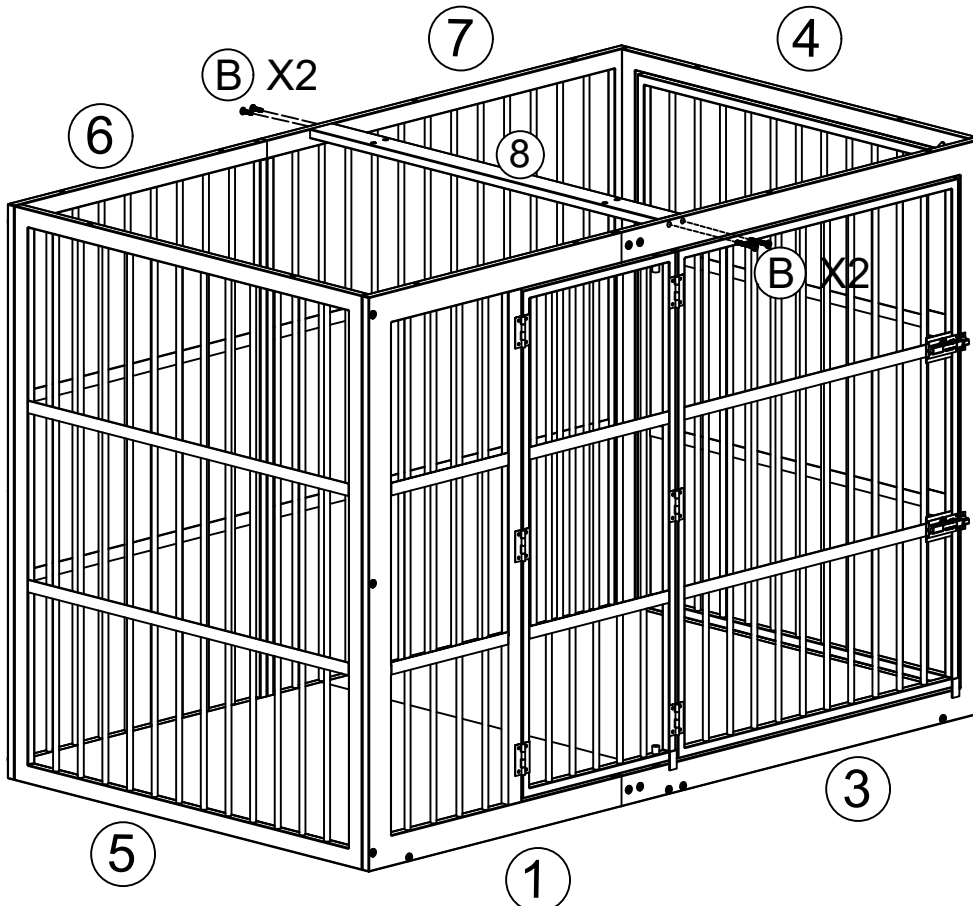
When installing the bottom screws, the front frame can be slightly lifted to ensure that the installation screws are level and not misplaced



M6*25MM

A X10

STEP 12: Install the top pipe



Please tighten the screws to 80% first, and tighten all screws 100% after all parts are assembled.



M6*40MM

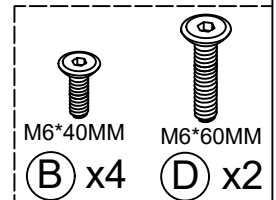
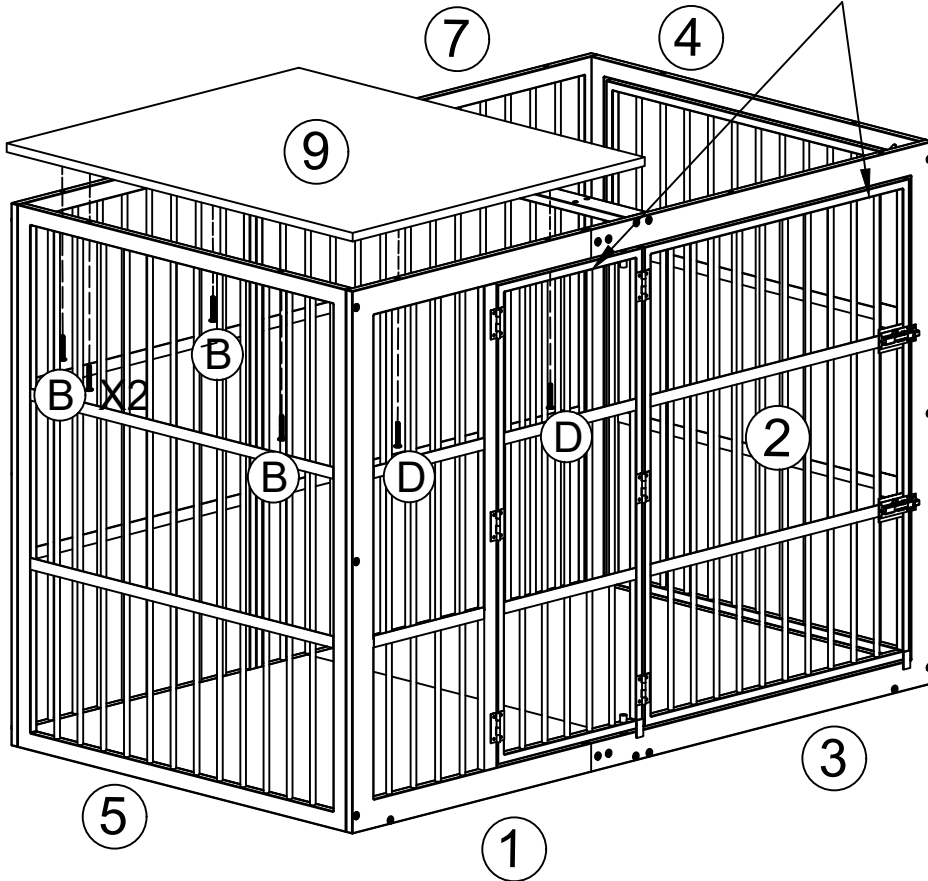
B x4

STEP 13: Install the top panel

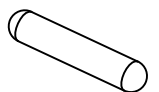
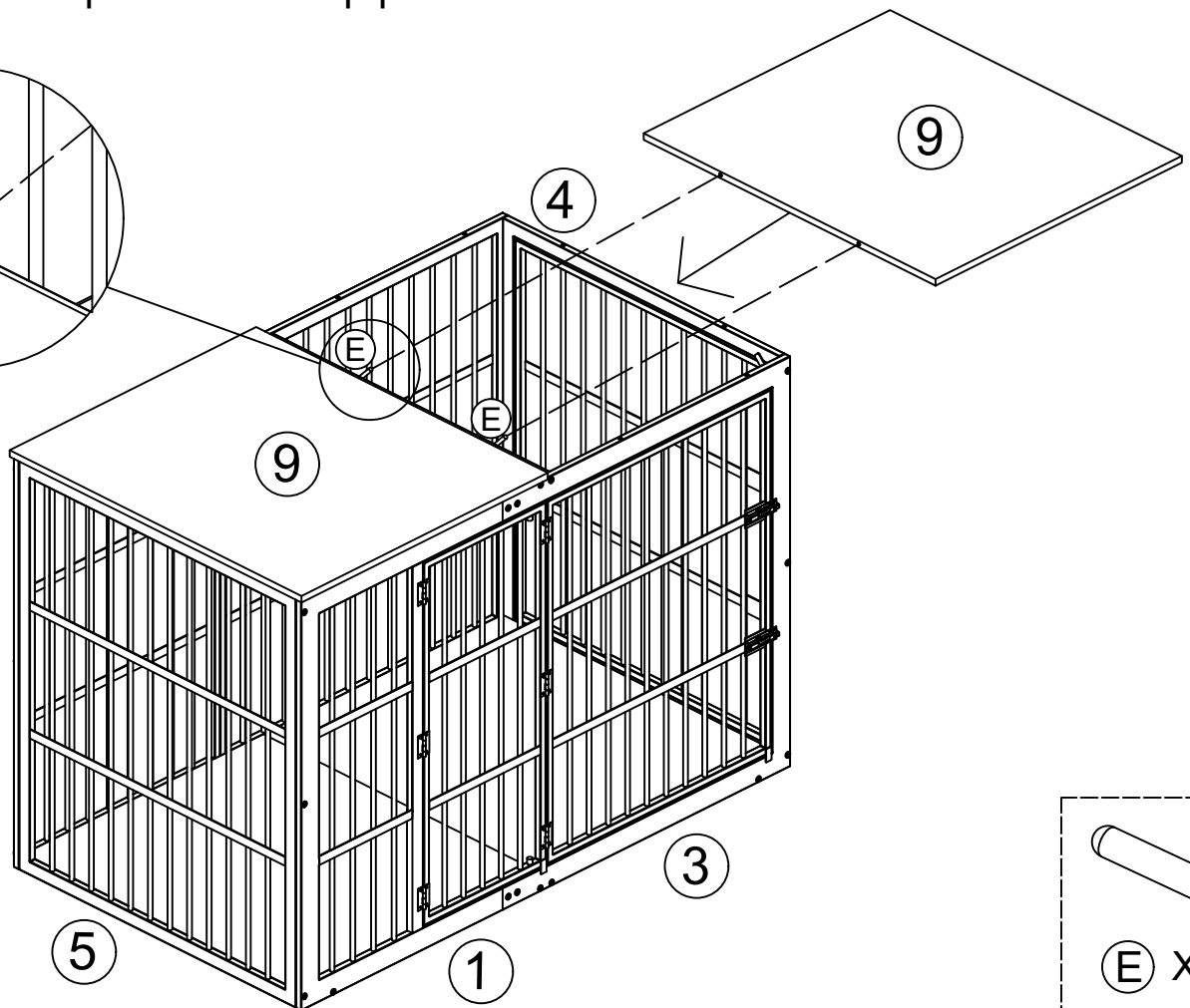
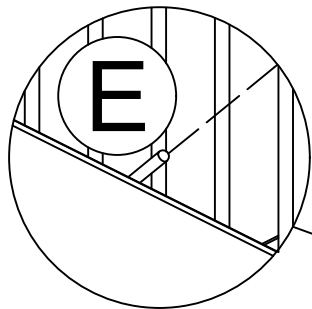
open the door of the part 1 and part 2



Please tighten the screws to 80% first, and tighten all screws 100% after all parts are assembled.

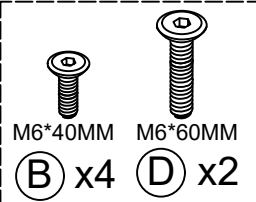
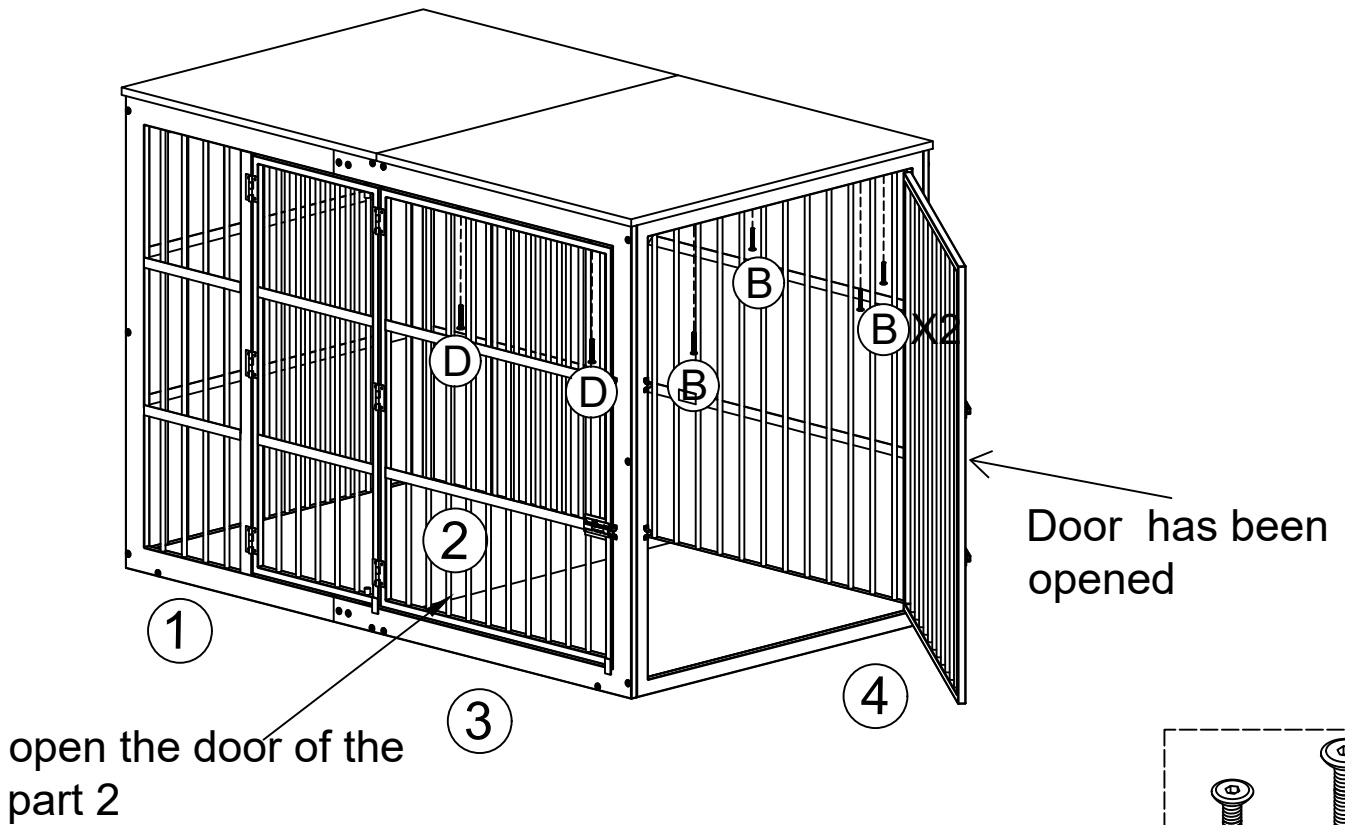


STEP 14: Insert parts E and top plate



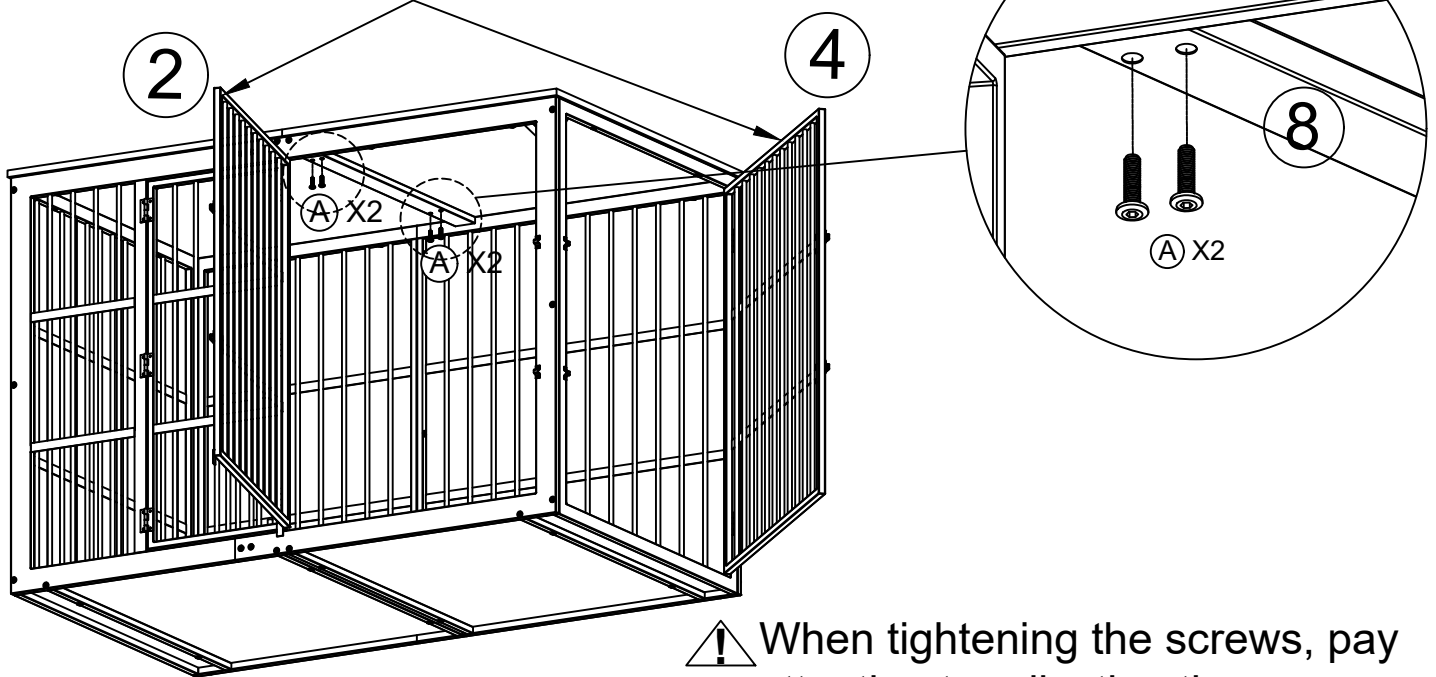
(E) X2

STEP 15: Install the top panel



STEP 16: Install the middle screw of the top panel

open the door of the part 2 and part 4

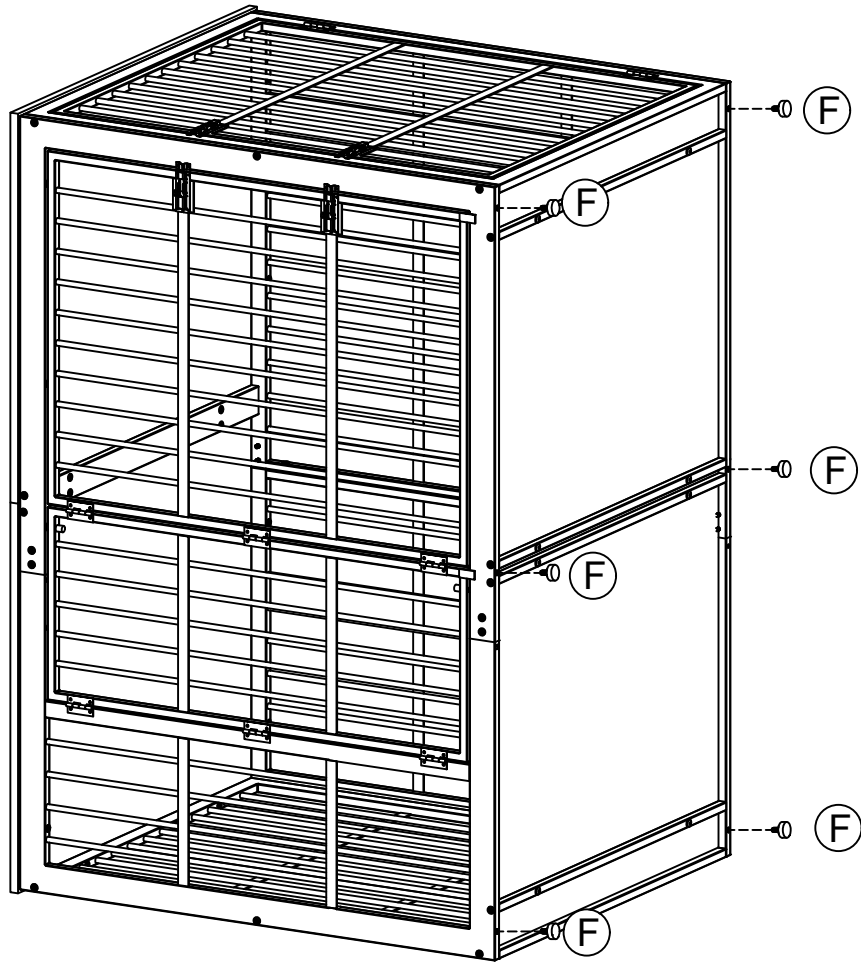


⚠ When tightening the screws, pay attention to adjusting the gap between the desktop board

After locking the screws on the wooden board, tighten all remaining screws 100%



STEP 17: Side mounted installation with adjustable feet



Installation completed

