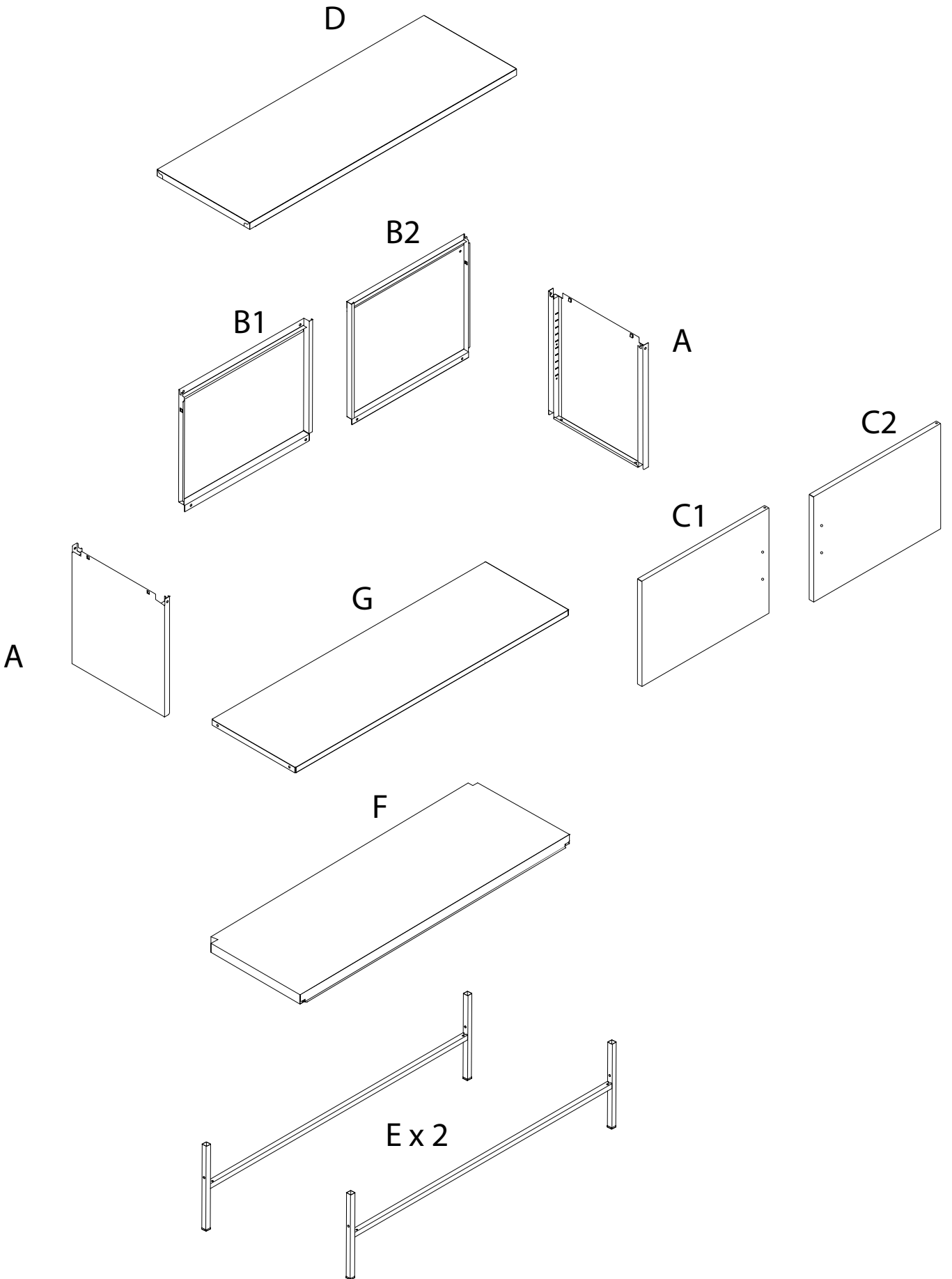
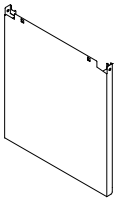

		<b>40'</b>
		<b>1</b>

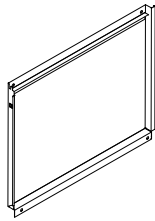


A



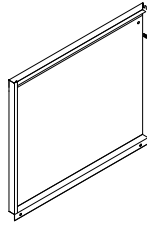
x 2

B1



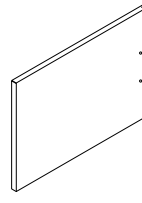
x 1

B2



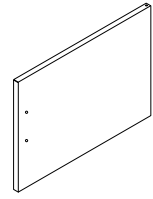
x 1

C1



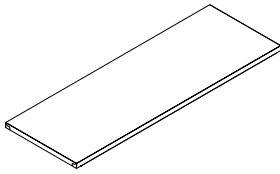
x 1

C2



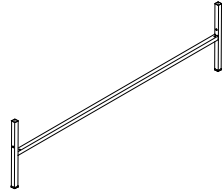
x 1

D



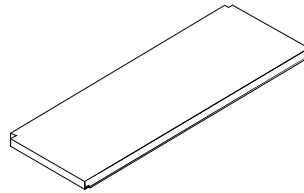
x 1

E



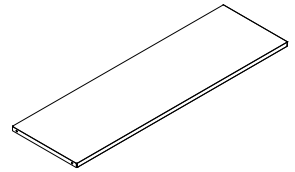
x 2

F



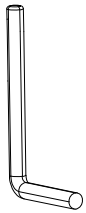
x 1

G



x 1

1



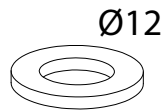
x 2

2



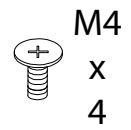
x 2

3



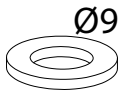
x 2

4



x 4

5



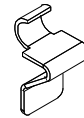
x 4

6



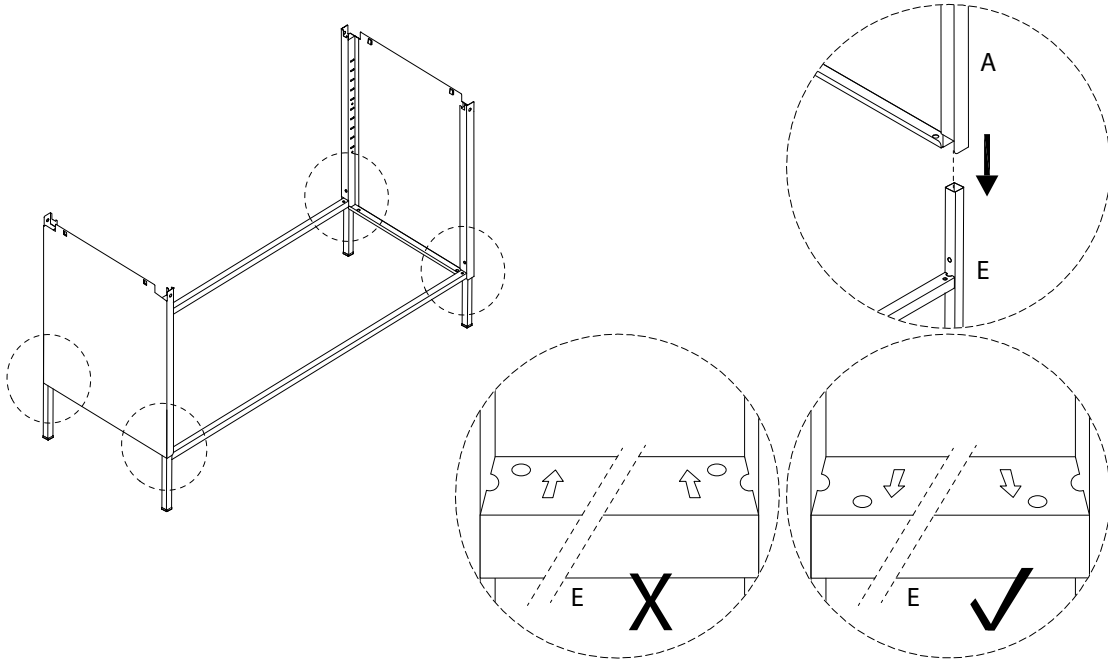
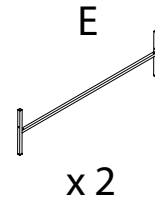
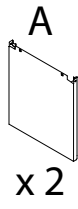
x 2

7

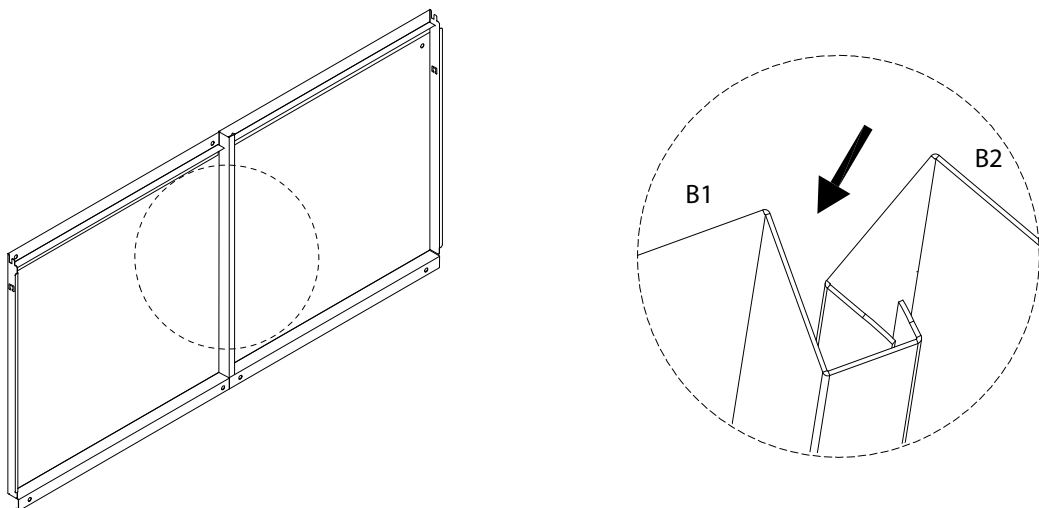
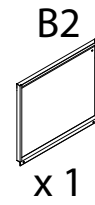
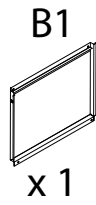


x 4

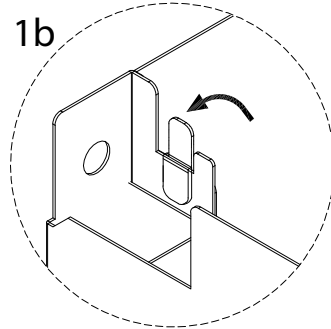
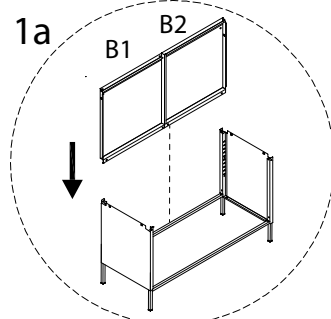
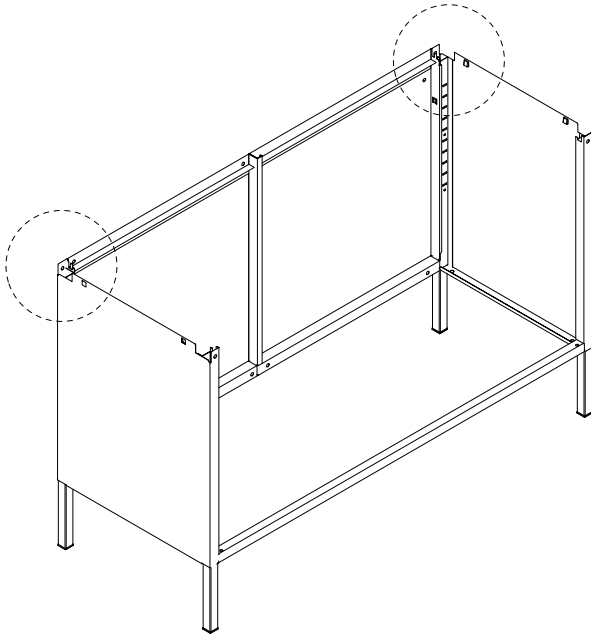
1



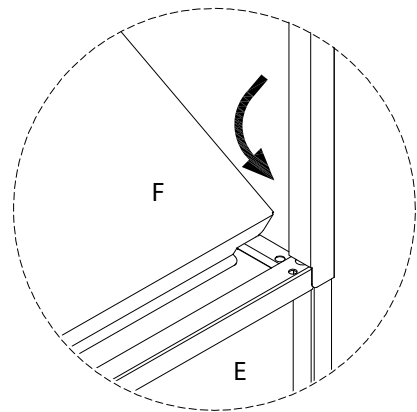
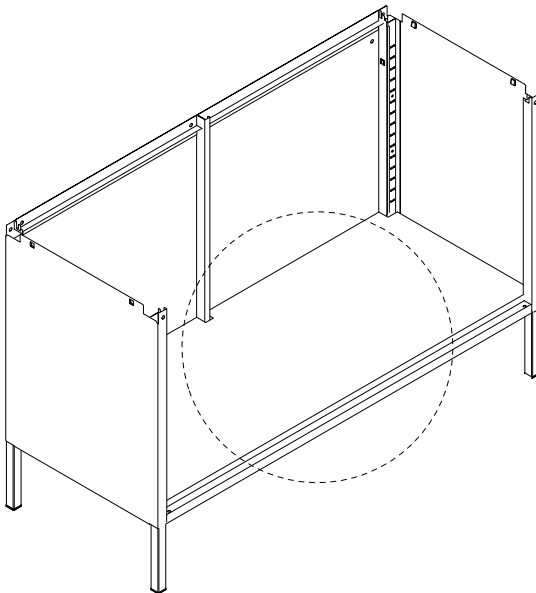
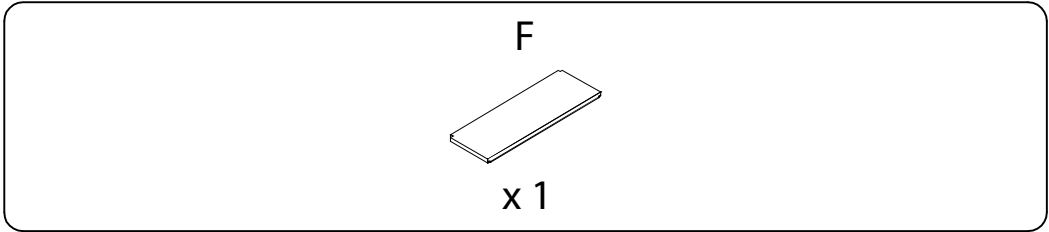
2



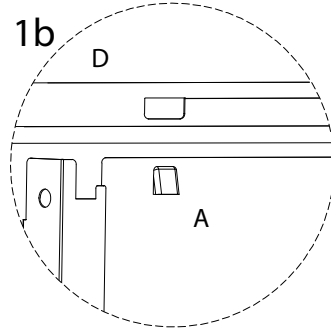
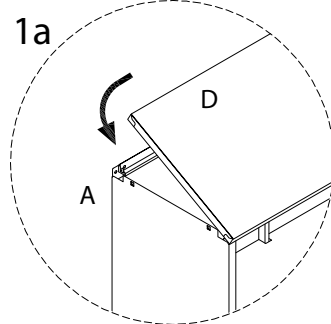
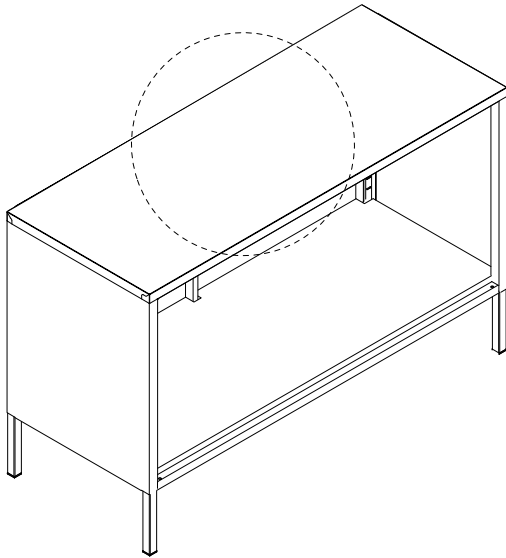
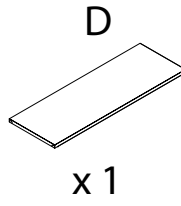
3



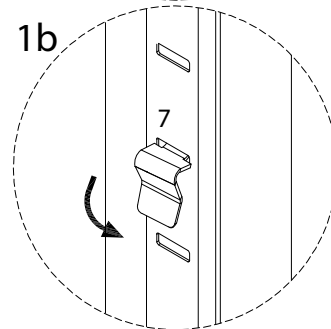
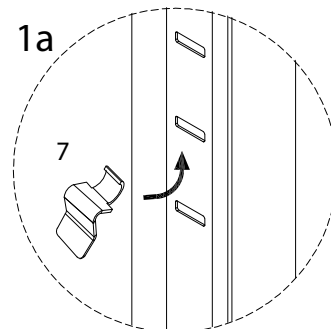
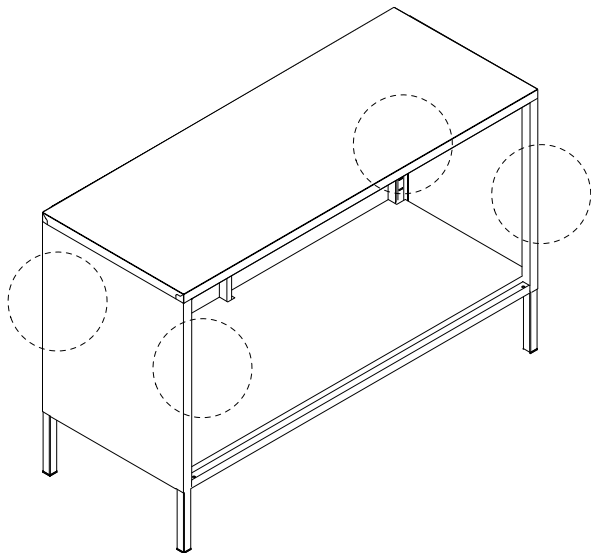
4



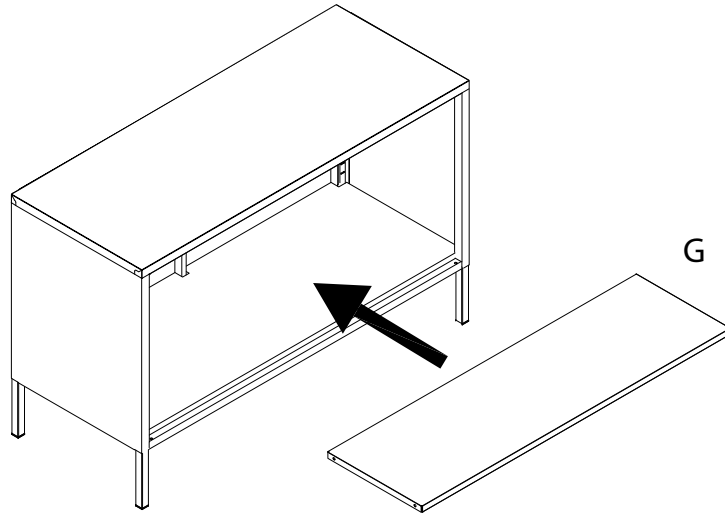
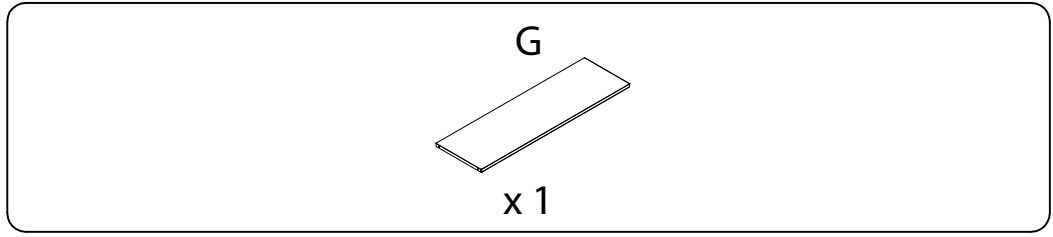
5



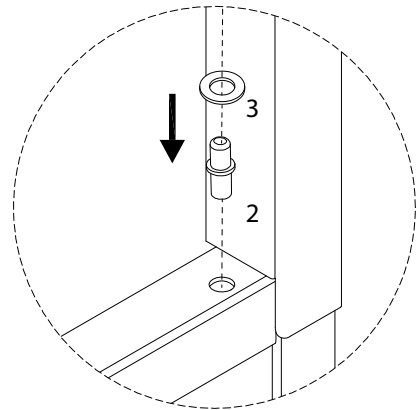
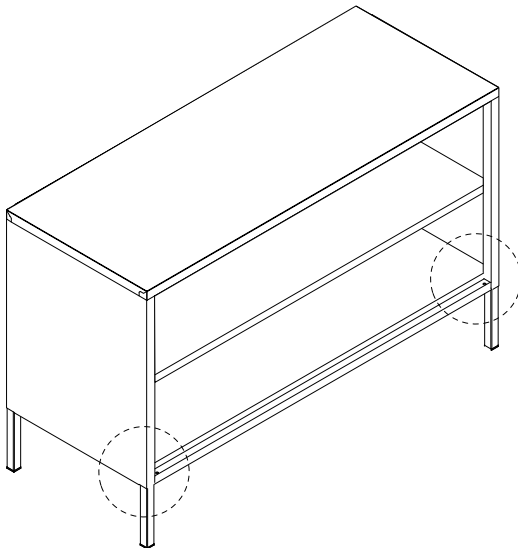
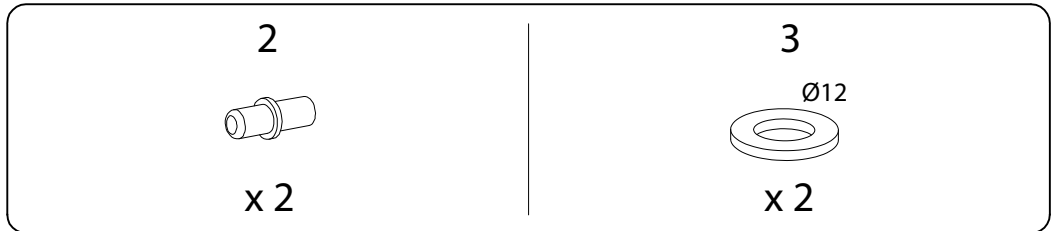
6



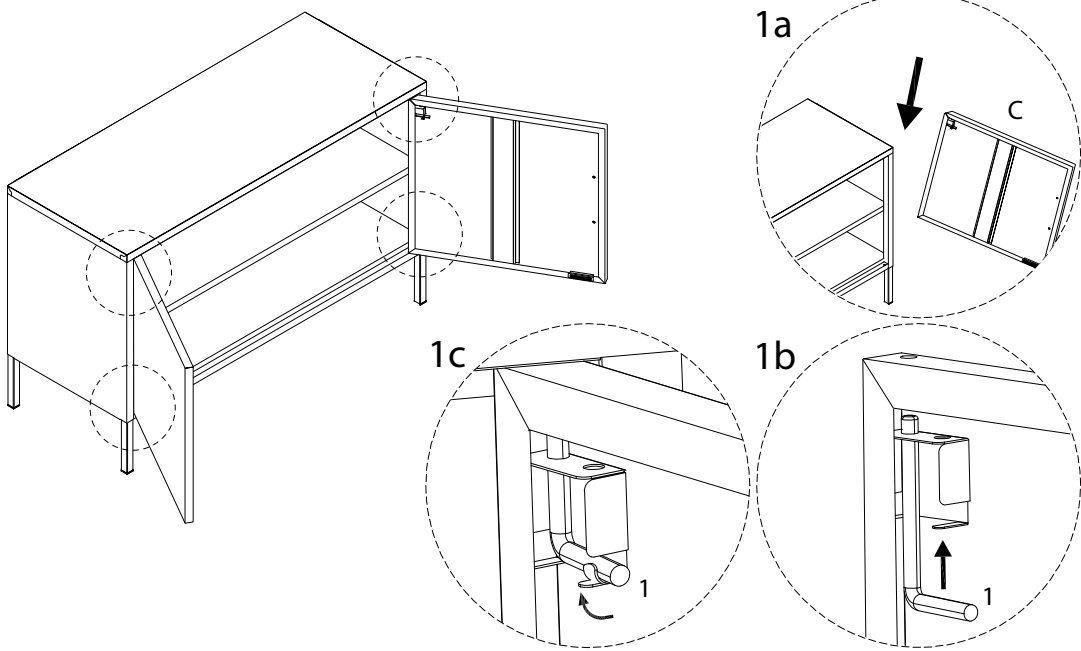
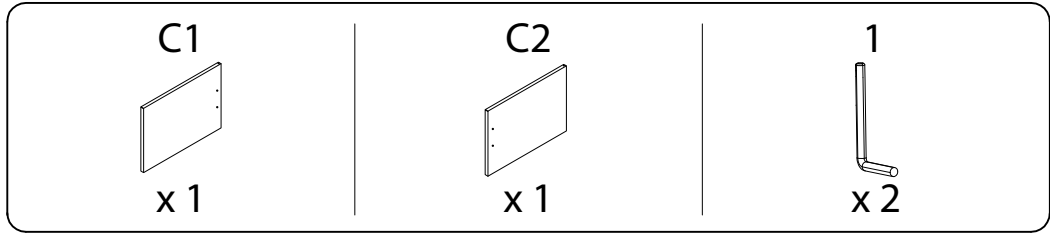
7



8



9



10

